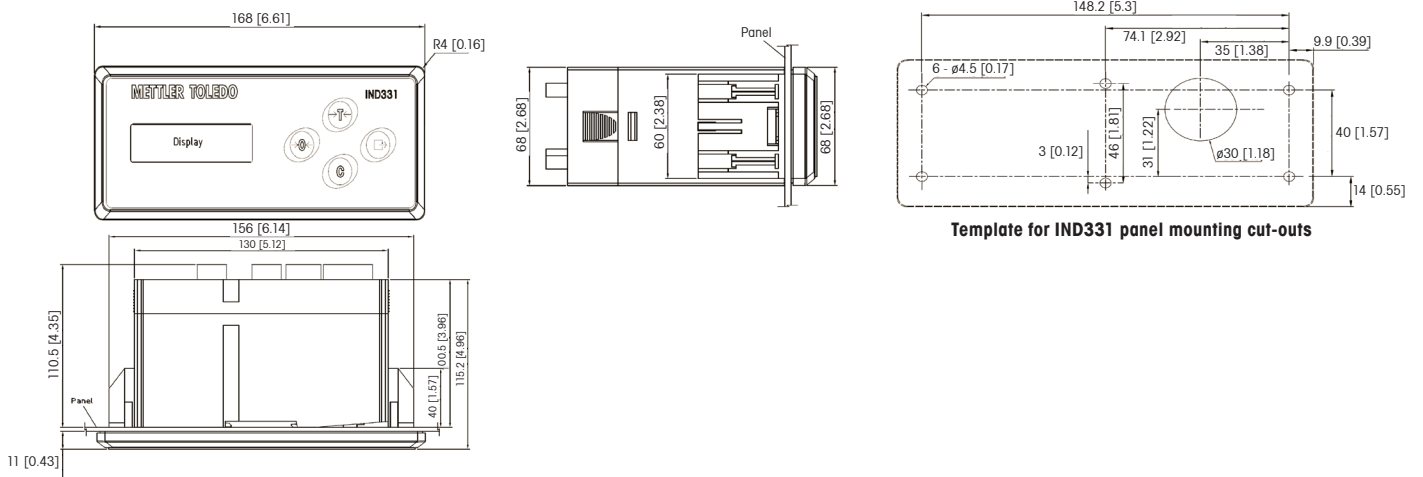


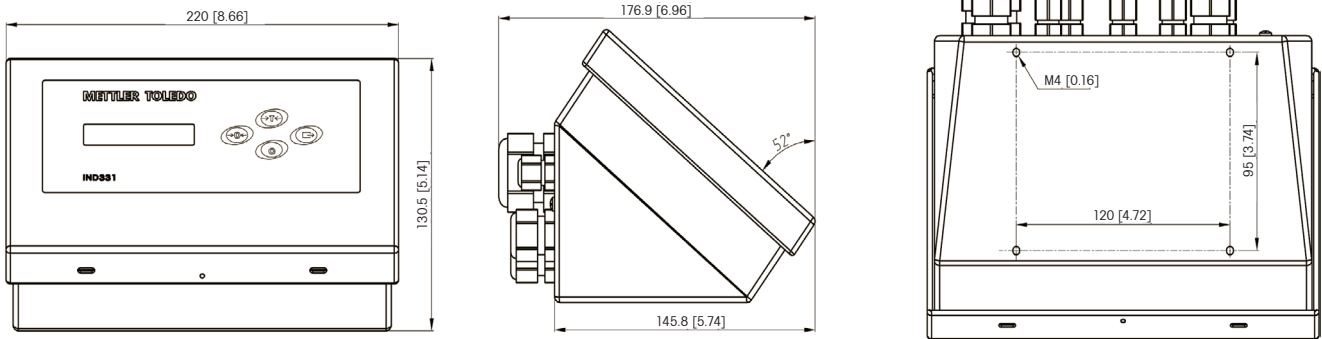
Dimensional Drawings in mm and [inches]

IND331, Panel-mount

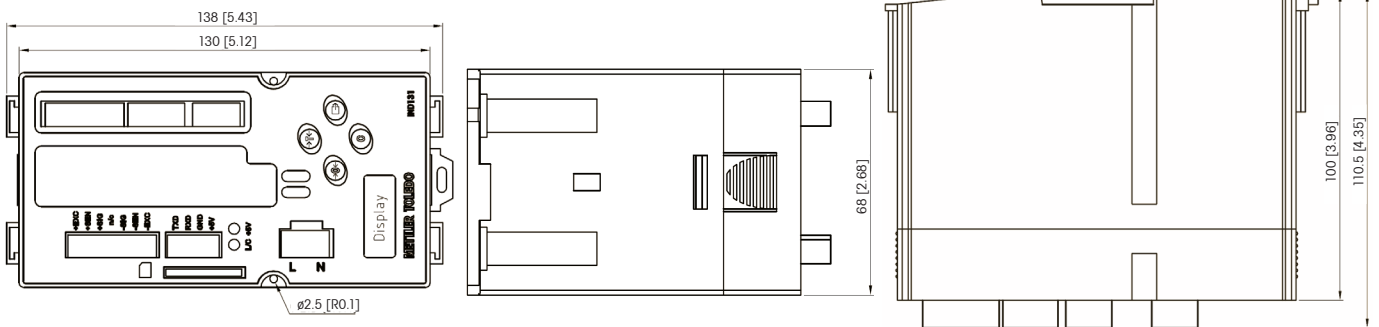


Template for IND331 panel mounting cut-outs

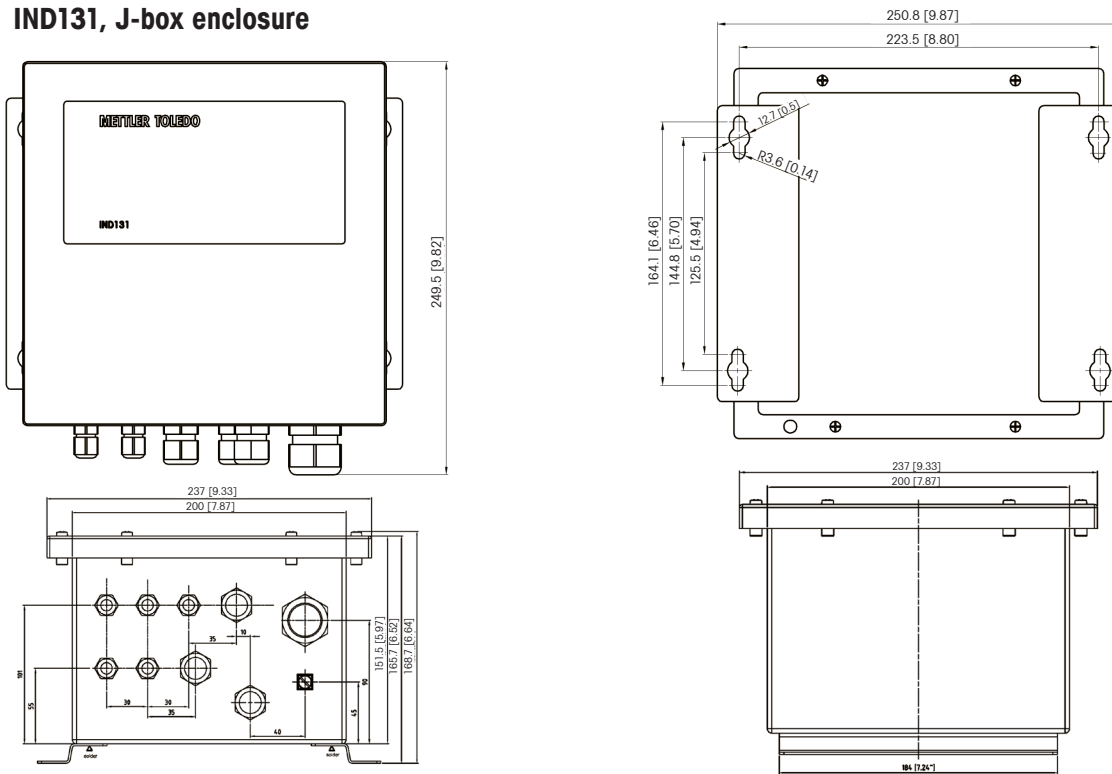
IND331, Harsh enclosure



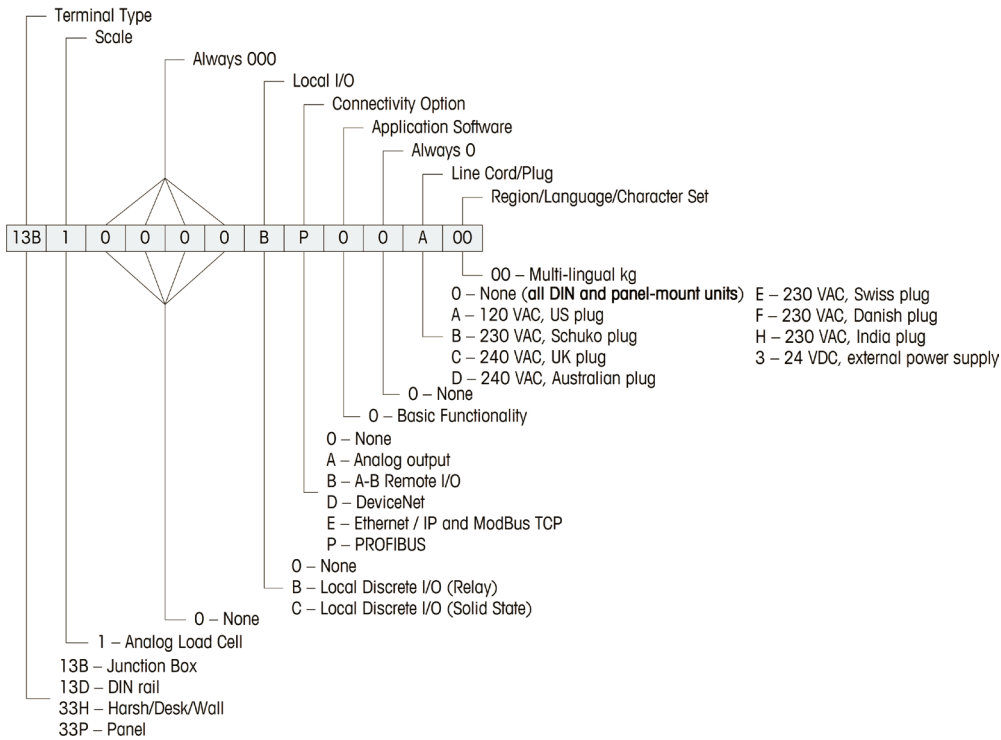
IND131, DIN-mount enclosure



IND131, J-box enclosure



IND131/IND331 Model Identification



ServiceXXL
Tailored Services

Worldwide Services

Our extensive service network is among the best in the world and ensures maximum availability and service life of your product.

Quality certificate ISO 9001
Environmental certificate ISO 14001

Subject to technical changes.
©01/2010 METTLER TOLEDO



www.mt.com

For more information