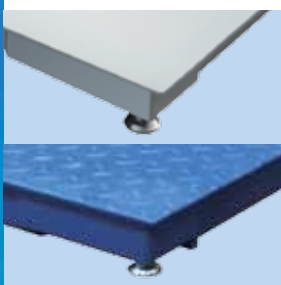


## Affordable, Heavy Duty and Easy to Use **BFA221 and BFA226**



### Terminal

- Big and bright LED display
- Standard RS232 interface
- IP54 for plastic housing
- IP65 for stainless steel housing



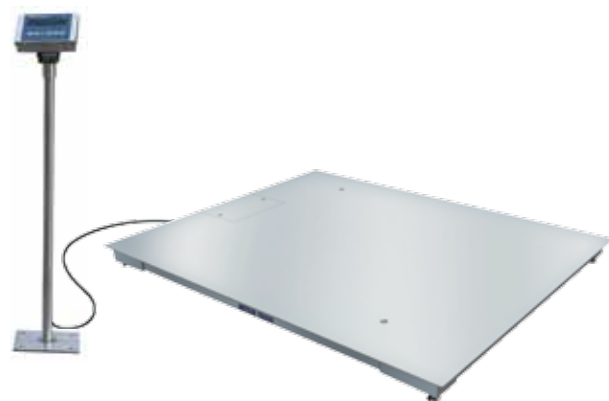
### Weigh Bridge

- BFA221 – Carbon steel version
- BFA226 – Stainless steel version



### Structure

- RockerFoot ensures accurate and reliable weighing
- Level bubble for simple and fast platform leveling
- Optional ramps for driving over



### Complete Floor Scale Weighing Solution

The floor scale BFA221/BFA226 with capacities up to 3000 kg is a complete solution for many applications. Terminal and platform are preassembled and optionally fully approved. The unique RockerFoot suspension guarantees a good shock- and vibration damping. After alignment, the BFA221/BFA226 is immediately ready for use. The painted version BFA221 is supplied with the robust IND221 terminal. The stainless steel version BFA226 is designed for harsh environments and is supplied with the stainless steel IND226 terminal. Optional ramps allow convenient loading and drive on with pallet trucks.

The terminal IND221/IND226 is easy to use and the large 30 mm display allows quick reading even under difficult environmental conditions. Furthermore the terminal offers industrial weighing applications such as checkweighing, counting,  $\times 10$ , or unit switching which make the BFA221/BFA226 a real multi-talent.

Technical Data

## BFA221/BFA226 Floor Scales

### Specifications

Model	BFA221-E1500 BFA226-E1500	BFA221-ES1500 BFA226-ES1500	BFA221-E3000 BFA226-E3000	BFA221-ES3000 BFA226-ES3000
Capacity (kg)	1500		3000	
Accuracy class	III			
Resolution 3000e SR* (kg)	0.5		1	
Minimum capacity (kg)	10		20	
Platform size (WxL) (mm)	1250x1500	1500x1500	1250x1500	1500x1500
Platform height (mm)	90			
Max. static safe load (kg)	Central	2800		4500
	Side	1600		2300
	Corner	1000		1500
Protection class	Load cell	IP67(BFA221), IP68(BFA226)		
	J-BOX	IP68		
	Terminal	IP54(BFA221), IP65(BFA226)		
Temperature range	-10°C to +40°C for accuracy class III			

SR\* = Single Range

### BFA221

- Painted carbon steel platform
- Plastic house terminal
- 5 m connection signal cable

### BFA226

- Stainless steel platform, AISI304
- Stainless steel house terminal, AISI304
- 5 m connection signal cable

### Accessories

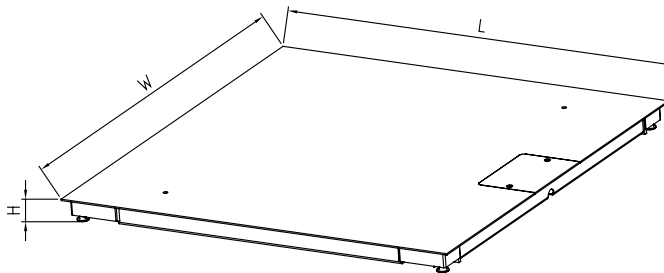
- Terminal stand

Model	S110-IND221	S110-IND226
Suitable to	BFA221	BFA226
Material	Stainless steel, AISI304	
Note	Included terminal bracket	

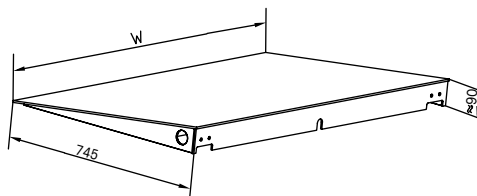
- Ramp

Model	R1250-BFA221	R1500-BFA221	R1250-BFA226	R1500-BFA226
Dimensions(W)(mm)	1250	1500	1250	1500
Suitable to	BFA221		BFA226	
Material	Painted carbon steel		Stainless steel, AISI304	
Top plate	Anti-slip corrugated plate		Smooth plate	

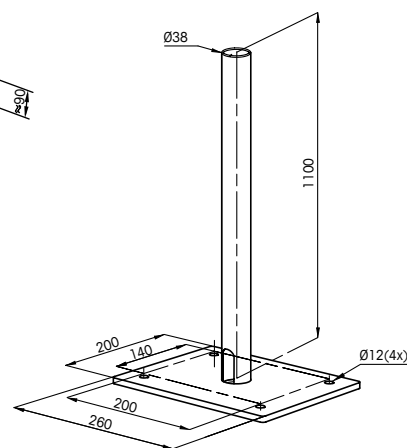
Platform dimensions (mm)



Ramp dimensions (mm)



Terminal stand dimensions (mm)



### Mettler-Toledo AG

CH-8606 Greifensee  
Switzerland  
Phone +41 44 944 22 11  
Fax +41 44 944 30 60

Subject to technical changes  
© 04/2012 Mettler-Toledo AG  
Printed in Switzerland  
MarCom Industrial  
MTSI 44098305

**METTLER TOLEDO** Service

[www.mt.com/BFA221\\_BFA226](http://www.mt.com/BFA221_BFA226)

For more information