

IND690 Weighing Terminal

Professional Weighing Technology for hygienic sensitive areas



High degree of IP – protection enables high pressure cleaning. Easy cleaning is provided by an optimized design, confirmed by EHEDG.

The IND690 can be used worldwide because of its international Approvals.

Up to 4 analogue or digital scales simultaneous.

AC-power-operation.

10 High performance software application packages.

Requirements

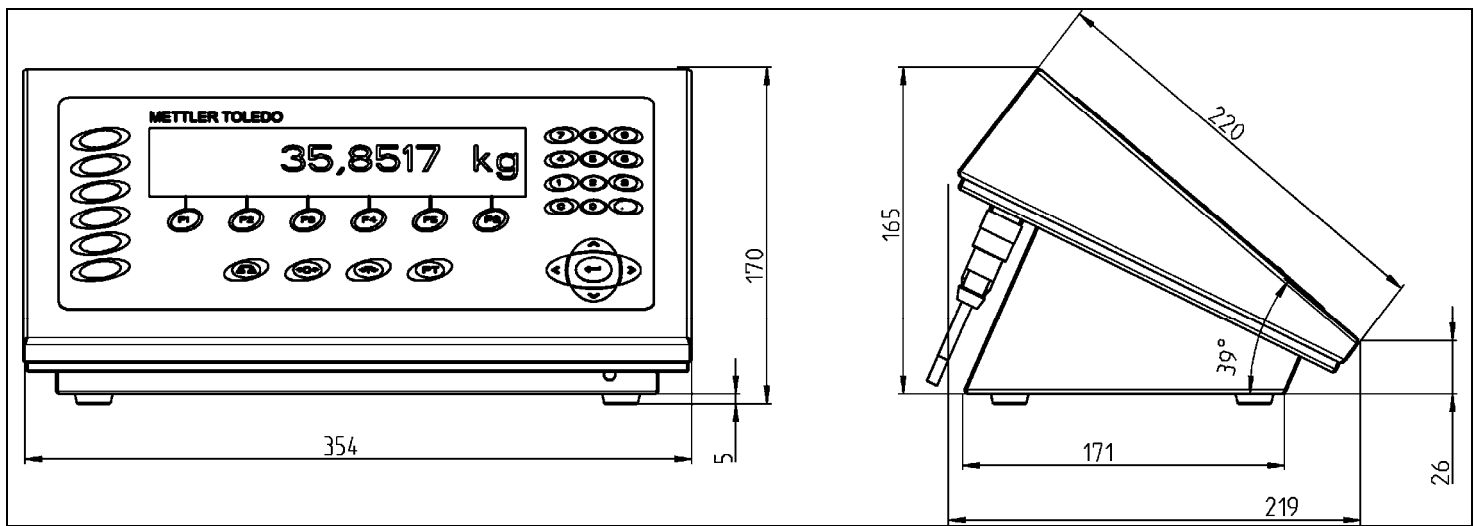
The IND690 is especially designed for harsh environments. If you have one of the following requirements, the IND690 will be the perfect solution!

- Easy cleaning
- High pressure cleaning
- Water- and dust-tight
- Tested to be used in hygienic sensitive areas
- Tested to be used in GMP areas
- World-wide approvals
- Weights- and measures approved
- Easy operation

Functionality

The very large assortment of Mettler-Toledo weighing technology can be connected to the IND690.

Different data interfaces are available. The standard RS232, but also Ethernet, WLAN or Profibus-DP ease the connection of the IND690 to your IT-environment.

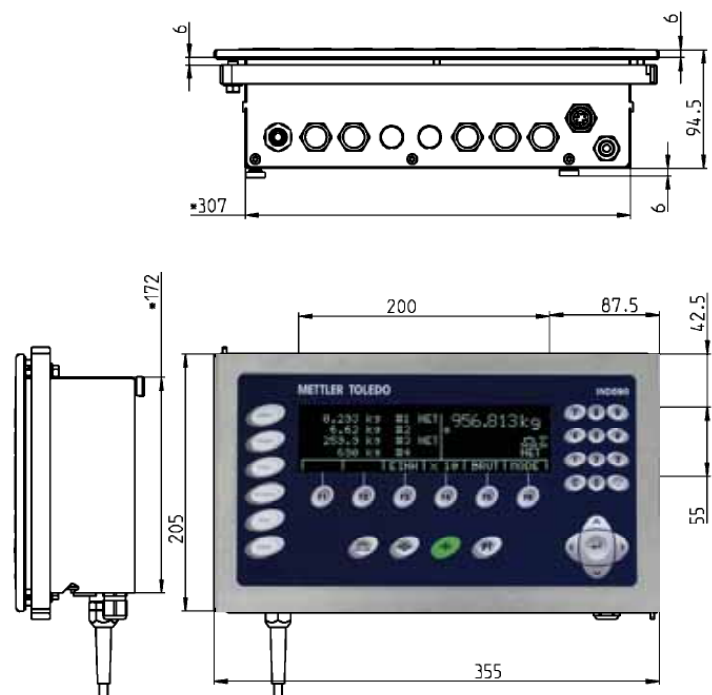


Enclosure / Environment	
Housing	Bench model (angled desktop), suitable for wall mounting. Compact housing for front panel mounting.
Material	Chrome-nickel steel DIN X5 CrNi1810
Schutzart	IP69K (DIN 40050): resistant to high-pressure/steam jet cleaning
Ambient Temperature	-10 ... +40 °C for accuracy class III, 0 ... 40 °C for accuracy class II
Display	
Active, high-luminance VFD dot matrix display, graphics capability, green	
Screen size, Resolution	195 x 46mm, 170 x 40 pixel
BIG WEIGHT® - Display ¹	Patented, large display, showing weight or other data, characters are up to 35mm high
Keyboard	
Type	Three-point membrane keypad with sensed key action, acoustic acknowledgement
Surface	Closed, smooth surface of heavy duty polyester, with raised, embossed buttons
Key functions	<ul style="list-style-type: none"> • 6 keys A to F for identification data • 6 function keys F1 to F6 • 4 weighing-function keys • Numeric entry keypad • Navigation keypad with Enter-key
Power supply	
Voltage	100-240 V, +10/-15%, 50/60 Hz Or 24V optional
Power input	60VA approx.
Interfaces	
Standard	1 x RS232
Optional (maximum 8 more interfaces)	CL20mA, RS232, RS422/485, Ethernet, WLAN, USB (Slave), Bluetooth, Profibus-DP, Digital 4I/O intern or up to 64I/O extern via Relaysbox-8, Analog-Out, PS2/MFII for external keyboard
The interfaces are accessible via IP-protected receptacles	

Approvals, Assessment	
Metrology	NTEP, OIML
Hygiene	EHDG, GMP
El. Safety	CSA – C US, CE
IP protection	IP69K, DIN 40050 (Desk/Wall and front of the Panel-version)

Weighing technology	
Connectable platforms	4 (+ from it calculated sum-scale)
Types of connectable weighing platforms	IDNet-Scales, SICS-Scales (also via Bluetooth), Analog-Scales (also from other suppliers)
Technical Data of the A/D converter for Analog-Scales:	
Impedance	min. 87,5 Ohm
Excitation voltage	8.75 V
Sensitivity	0 to 3 mV/V
Max. Resolution	10.000d (NTEP) 7.000e (OIML) 450.000d non-approved
Min. verification interval	0.58µV / e

Application Software Packages	
High performance application software packages for special weighing tasks:	
Base-690	Basic functions, totalizing
Count-690	Counting, totalizing
Form-690	Formulating, totalizing
Com-690	Computer dialog mode
Sum-690	Totalizing on 3 levels
Fill-690	Dispensing
Batch-690	Multi-component dispensing
Control-690	Verifying, classifying
FormXP-690	Convenient formulating with PC connection
Sys-690	Free programmable



¹ BIG WEIGHT® is a registered trademark of Mettler-Toledo (Albstadt) GmbH.
German Patent 197 32 659. European Patent 0 895 071.