

Compact Weighing Systems



Industrial Compact Systems

- Ergonomic
- Flexible Functionality
- Traceability Maintained
- Certified Hygienic Design
- Designed to Last

IP69k
EHEDG
NSF



Excellent Results Where Hygiene Counts

METTLER TOLEDO

Ergonomic Functionality for Efficient Weighing Procedures

Current regulations and processing trends in the food industry require not only safe and traceable products, but also process optimized and hygienically designed production equipment. The new scale line ICS629 – ICS639 – ICS649 – ICS669 combines both and offers seamless integration into the production process. Every weighing solution fulfils the international food hygienic design standards and will be individually configured to your needs.

Configure your very best solution and speed up your production process

The ICS bench portable food line is based on four different terminal models. Each of them can be ergonomically mounted in three different ways to the weighing platform. Choose from a broad range of platform sizes and capacities. An optimal combination increases the process security, leads to ergonomic setup and speeds up your productivity.

Ergonomic working procedure preferred

To optimize your process procedure, choose the placement of your terminal for best ergonomic position. Either fixed directly on the platform, mounted on a column or separated for desk or wall mounting.

Designed for harsh conditions

The ICS product family is manufactured according to the latest hygienic design guidelines. The open platform design avoids contamination traps and the rugged

construction allows high pressure wash down procedures even with foam and disinfecting cleaning agents.

Optimal data traceability and network integration

Scales are important identifications points in your traceability process. Various interface options offer easy integration into existing data management systems. Relevant weighing and calibration data are stored and can easily be retrieved and reviewed.



Column – ICS6_9...c

Weighing terminal and column are seamlessly welded together, the back column design secures and protects cables.



Compact – ICS6_9...f

Terminal fix mounted in front of the weighing platform. One unit, portable and robust.



Separate – ICS6_9...t

Suitable for wall mount, bench or desk operation. The ICS stand-alone terminal can be easily used and integrated with any other platform including floor scales.

Excellent View from all Angles:

Full color screen for sharp and stable results

All four terminals are designed for a fast and straight forward weighing process. A bright, easy to read TFT graphic screen provides excellent readability. All relevant parameters are easily entered on the large and intuitive keypad. Specific information buttons deliver further weighing parameters and historical data. Traceability at your finger tips.



Double sealed terminals
 Longer up times in harsh environments.
 No need for terminal "double bagging"
 or to distance terminal from the base.

EHEDG NSF **IP69k**

colorWeight®

Accelerated Over/Under Checkweighing



Above tolerance



Within tolerance



Below tolerance

colorWeight® provides clarity – full color graphic for unmistakable results

The color graphic screen provides easily readable unmistakable information as to whether or not the weight is within the tolerance limit. Different colors options can be configured in the set up menu.

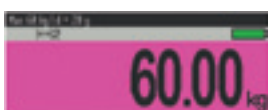
Classifying



Class 1



Class 2



Class 3

-
-
- > Class 12

Utilize up to 12 customized weighing ranges to quickly and accurately classify your products and see the result directly on your color display.

Basic Weighing

For fast and intuitive working procedures



ICS629

All you need for straight forward basic weighing applications. The big screen shows only the absolute relevant data and with the use of the transfer key menu navigation is easy and intuitive. Simple and efficient.



ICS639

Equipped with a numeric keypad for convenient changing of menu settings. ID codes speed up classical basic weighing or where weighing parameters are frequently changed. Flexible and fast.

Over/Under Checkweighing – Classifying

Color code your tolerance thresholds and results



ICS649

The over/under checkweighing and classifying application makes the weighing and portioning process convenient. Five additional programmable "soft keys" allow to change parameter with minimal time and training.



ICS669

Perfect for quick and precise entering of all relevant product data. Changing of weighing parameters has never been so easy with the help of the numeric keypad in combination with the programmable "soft keys".

► www.mt.com/over-under-checkweighers

Seamless Integration for Fast, Reliable and Traceable Processes

The ingredients you need: Weight values and product identification in smart data terminals – full graphic screens – data transfer at high speed through Ethernet or WLAN interfaces – all designed for tough industrial use. The ICS6_9 product range is certified according to the latest hygienic design guidelines of EHEDG¹ and NSF¹, protected IP68/69k to sustain multiple harsh washdowns 24/7.

Track and trace your results Improve your safety



Data Management System



Scale 1



Scale X

Good traceability results depend on well calibrated equipment and on safely stored product and process parameters. ICS weighing systems offer a large database which stores up to 500 product records. Various interface possibilities such as RS232, Ethernet, USB or WLAN allow easy integration into existing network systems. Important weighing and product parameters are stored in the "alibi" or the

calibration log, ready for printing. Easy integration for traceable results.

Clear user management for transparent responsibilities

The internal database can store up to 500 data records, including over/under parameters, target weights or specific product names. The access rights are individually configurable in the user manage-

ment system. No changes are permitted without the correct user identification.

Alibi memory to assure compliance

The Alibi memory satisfies the increasing documentation requirements of both your customers and your regulatory bodies. It contains important weighing parameters such as serial numbers, opera-



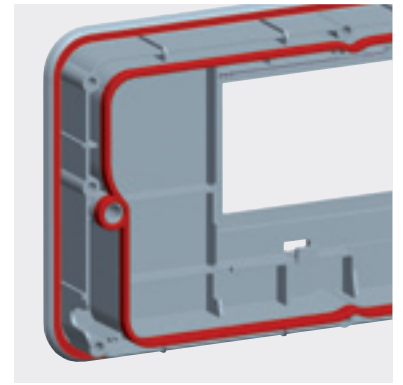
Long lasting piezo keypad

The extremely rugged piezo sensor keypad is particularly suitable for tough treatment. It offers high durability and assures a long term life under harsh food production conditions.



Open and rugged

The open and rugged stainless steel construction with smooth surfaces contains no water or debris collecting points and helps to eliminate bacteria contamination. Built for efficient and complete cleaning.



Double sealed protection for heavy wash down

The hermetically sealed stainless steel load cell and the double sealed ICS6_9 terminals are robust constructed and corrosion resistant to withstand steam and high pressure wash down procedures. Designed to last and for reduced life-time ownership costs.

EHEDG NSF IP69k



Barcode Reader



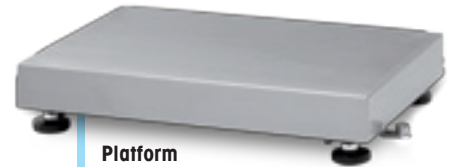
Printer



Label Printer



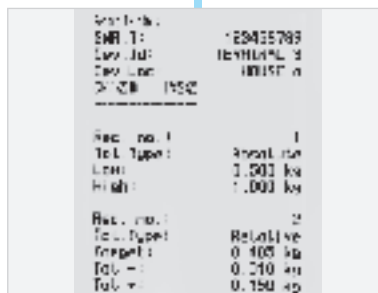
Compact Scale



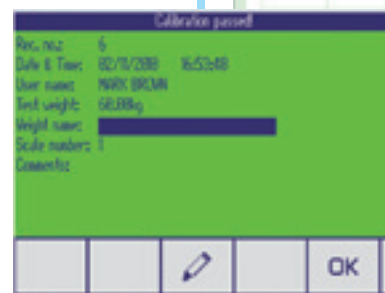
Platform



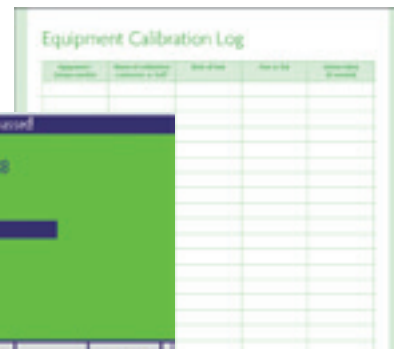
User management



Data printout



Calibration passed



for names and other application specific weighing data. The data can be transferred to a printer or to your host system for further processing contributing to efficient process control with accurate and secure traceability.

Comprehensive calibration management for consistently precise results

The calibration history provides a record of who has calibrated the scale and when, along with the results of those calibrations. Traceable and unmistakable.

The future is wireless

Not all weighing equipment locations are easily reachable. Eliminate disrupting cables and use the possibility of the WLAN communication. For unlimited wireless mobility.

► www.mt.com/over-under-checkweighers

¹⁾ EHEDG (European Hygienic Engineering and Design Group); NSF (National Sanitation Foundation)

Five Steps to Tailor Your Scale to Your Specific Application

1 Application / Terminal



Function	Basic Weighing		+/- Checkweighing		Classifying	
	ICS629...	ICS639...	ICS649...	ICS669...	ICS649...	ICS669...
Key: Power, Clear, Switch weight units	•	•	•	•	•	•
Key: Zero, Tare	•	•	•	•	•	•
Key: Info	•	•	•	•	•	•
Key: Printing / Data transfer / Navigation	•	•	•	•	•	•
TFT graphic screen	•	•	•	•	•	•
Selectable display modes	•	•	•	•	•	•
Event and error message	•	•	•	•	•	•
Basic weighing / Average weighing	•	•	•	•	•	•
5 soft keys			•	•	•	•
Alphanumeric keypad		•		•		•
Over/Under Checkweighing						
colorWeight® function			•	•	•	•
Over/Under Checkweighing			•	•	•	•
Piece counting			•	•	•	•
Classifying						
					•	•
Language						
Display languages: English, German, Spanish, French, Italian, Chinese	•	•	•	•	•	•

2 Platform Size

Type	Dimensions	A	BB	B	BC	CC	QA	QB	QC
		(mm / ")	(mm / ")	(mm / ")	(mm / ")	(mm / ")	(mm / ")	(mm / ")	(mm / ")
Separate ICS6_9.../t	a	240 / 9.45	300 / 11.81	400 / 15.74	500 / 19.69	600 / 23.62	229 / 9.00	305 / 12.01	457 / 17.99
	b	300 / 11.81	400 / 15.75	500 / 19.69	650 / 25.59	800 / 31.50	229 / 9.00	305 / 12.01	457 / 17.99
	c	80 / 3.15	82 / 3.23	85 / 3.35	93 / 3.66	115 / 4.53	80 / 3.15	93 / 3.66	85 / 3.35
	d	95 / 3.74	97 / 3.82	100 / 3.94	108 / 4.25	130 / 5.12	95 / 3.74	97 / 3.82	100 / 3.94
Compact ICS6_9.../f	e	418 / 16.47	485 / 19.04	581 / 22.87	681 / 26.81	772 / 30.39		489 / 19.25	640 / 25.20
Column ICS6_9.../c	f	337 / 13.27	404 / 15.90					406 / 15.98	
	g	412 / 16.22	412 / 16.22					412 / 16.22	
Terminal	h	260 / 10.24							
	i	170 / 6.69							
	k	114 / 4.49							

3 Capacity & Readability*

Platform Type	3 kg	6 kg / 10 lb	15 kg / 25 lb	30 kg / 50 lb	60 kg / 100 lb	150 kg / 250 lb	300 kg / 500 lb	600 kg / 1000 lb
A	0.5 g	1 g / 0.002 lb	2 g / 0.005 lb					
BB				5 g / 0.01 lb	10 g / 0.02 lb			
B				5 g / 0.01 lb	10 g / 0.02 lb	20 g / 0.05 lb		
QA		1 g / 0.002 lb						
QB			2 g / 0.005 lb	5 g / 0.01 lb	10 g / 0.02 lb			
BC					10 g / 0.02 lb	20 g / 0.05 lb	50 g / 0.1 lb	
CC					10 g / 0.02 lb	20 g / 0.05 lb	50 g / 0.1 lb	100 g / 0.2 lb
QC					10 g / 0.02 lb	20 g / 0.05 lb		

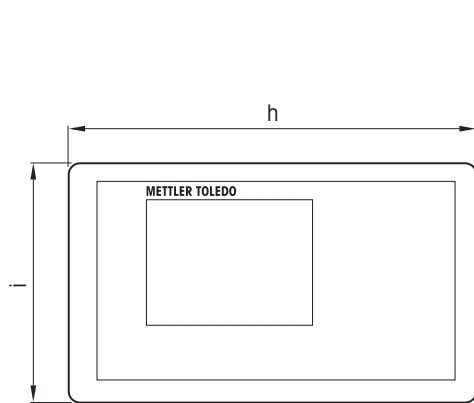
* Approved by Weights & Measures: OIML Class III 2 x 3000e, NTEP 5000d, Resolutions up to 30000d, not approved by W&M.

4 Accessories / Communication

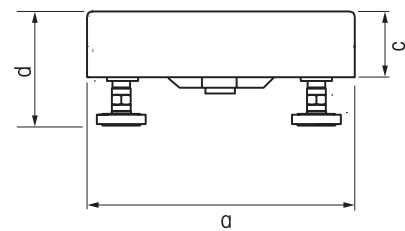
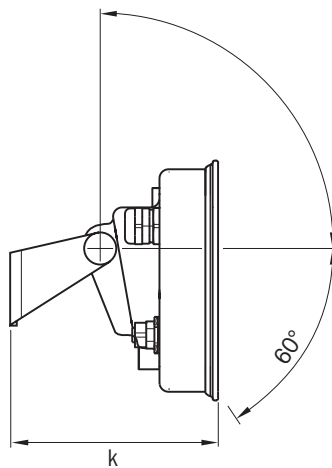
Interfaces, Plugs, Adapters	RS232, RS422, RS485, Ethernet, USB Device, Digital I/O, WLAN
I/O Accessories	Relay box for digital I/O incl. power supply
Mechanical Parts	Protective cover for terminals Wall bracket Desk mounting plate
Stands	In many heights and versions
Others	Printers, cables and much more

5 Service

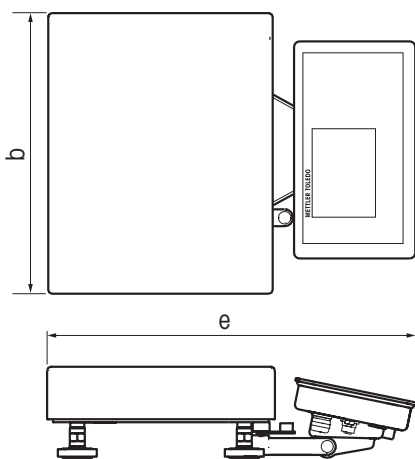
Installation & Setup	Installation, setup, data loading, user training to ensure fast, initial start-up
Qualification	Equipment qualification to meet your local or international quality system requirements
Calibration	Calibration and certification to meet production or regulatory requirements
Preventative Maintenance	On-going maintenance to ensure dependable operation and long equipment life



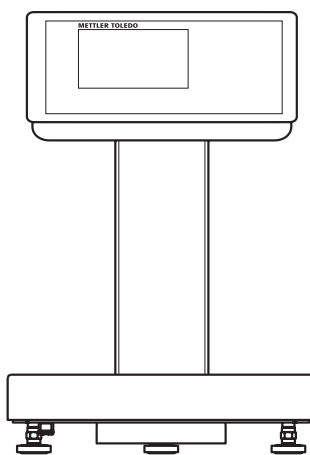
Terminal



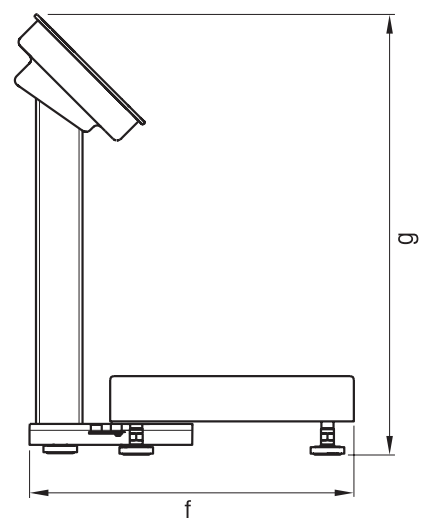
Platform (Frontview)



Compact



Column



Lifetime Performance – with Precise Service

The right scale choice is the perfect start to meet your requirements. Realizing the results you expect also depends on precise installation, setup, calibration and maintenance, product and service together, delivering performance, security and longevity

Since we designed the scale to be efficiently serviced and then tailor our services to your process and business needs, we help you to realize and sustain accurate, dependable and accountable weighing results, with the productivity you require.

Service	Benefits
Installation & Setup	<ul style="list-style-type: none">• Proper installation for accurate, repeatable weighing results• Communications to peripherals and systems tested• Sequences set to enhance operator productivity• Operational and user maintenance procedures trained• Ensures fast and efficient process start-up
Equipment Qualification	<ul style="list-style-type: none">• Documents that performance meets process requirements• Provides procedures for periodic testing in production• Reduces the risk of non-compliance with regulations
Calibration	<ul style="list-style-type: none">• Tests for accuracy throughout weighing ranges• Accuracy checked at multiple positions on the scale platform• Concise and regulatory compliant calibration certificates• Application of industry and regulatory tolerance standards• Reduce product give-away and/or over-charges• Lower out-of-specification product liability
Preventative Maintenance	<ul style="list-style-type: none">• Check critical components to identify potential failure• Examines audit and error logs to avoid unexpected downtime• Test operation for weighing and application performance• Ensures reliable operation and avoids unexpected expenditures• Increases the longevity of the scale and your return on investment

Our global service organization delivers the following key benefits:

- Properly maintained equipment ensures productivity and optimizes process performance
- Simplified compliance with industry specific standards and regulations
- Clear and precise documentation to reduce the risk of non-compliance

www.mt.com

For more information

Mettler-Toledo AG
CH-8606 Greifensee
Switzerland
Tel. +41 44 944 22 11
Fax +41 44 944 30 60

Product range may vary depending on country
Subject to technical changes
© 01/2011 Mettler-Toledo AG
Printed in Switzerland
MarCom Industrial

MTSI 44098000