



IND205

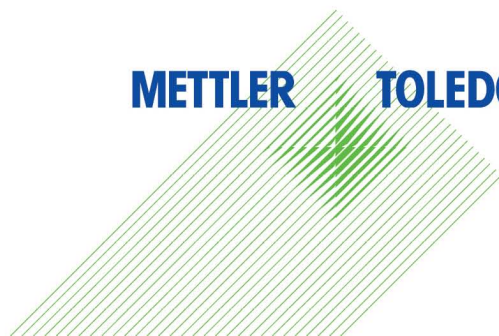
Airport Baggage

Scale Terminal

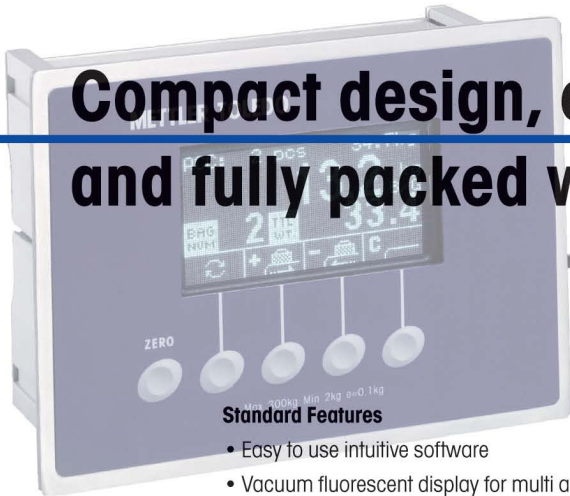


**Soar to New Heights
with Innovative Solutions.**

METTLER TOLEDO



Compact design, easy to use, superior display, and fully packed with functionality.



Standard Features

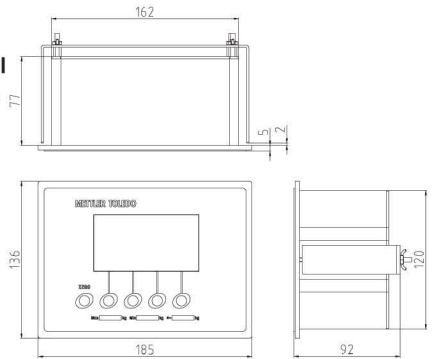
- Easy to use intuitive software
- Vacuum fluorescent display for multi angle readability
- Graphic and alphanumeric messages
- Multi-language display capabilities
- Fuss-free integration with baggage handling systems

Operator Terminal

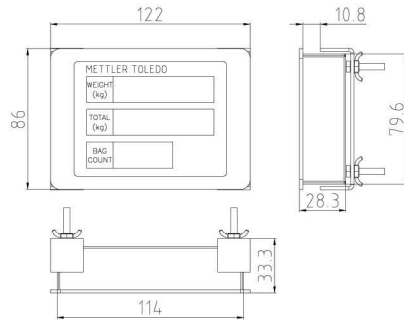
Dimensions	Width x height x depth: 185 x 136 x 84 mm Installation cut out: 162 x 120 mm
Construction	Panel-mount; metal housing and stainless steel front frame
Power supply	100-240V AC 50/60Hz 0.2-0.5A
Display	128 x 64 dot-matrix high brightness vacuum fluorescent display Main screen information includes: <ul style="list-style-type: none"> • Weight on scale (5 digits) • Total bags (2 digits) • Total bags' weight (5 digits) • Individual bag overweight • Total bags' overweight • Accumulators or host text message
Keypad	5 function keys
Scale interface	6-wire load cells 4 x 350Ω analog load cells
Scale capabilities	Selectable to 150, 300, 600, 1000, 2000, 5000 (kg)
Display increments	Selectable to 0.05, 0.1, 0.2, 0.5, 1, 2, 5 (kg)
Weighing function	Audible alarm for overload and under-zero push button zero: ±2% of scale full capacity
Weight setpoint function	Audible alarm when baggage(s) weight exceeds the preset weight limit
Accumulation function	<ul style="list-style-type: none"> • Individual passenger bags number (2 digits) • Total weight accumulation (5 digits) • Total bags per flight (3 digits) • Total weight accumulation (7 digits)
Control Output	Overweight occurrence
Control Input	Remote On/Off



Operator Terminal
(Dimensions in mm)



Passenger Display
(Dimensions in mm)



Communication	1 x RS-232 / RS-485
Interface	(3-wire) settings: 9600 baud, 8 data bits, 1 stop bit, parity: none
Passenger Panel	Serial interface, DB-9 type connector

Passenger Display

Dimensions	Width x height x depth: 122 x 86 x 28 mm Installation cut out: 116 x 80 mm
Construction	Stainless steel enclosure
Display	High brightness LED display Screen information includes: <ul style="list-style-type: none"> • Weight on scale: 5 digits • Total bags weight: 5 digits • Total bags: 2 digits
Operator panel interface	RS232 via RJ45 interface
Power-in	5V DC (supplied by operator panel)
Operating temperature	-10°C to 40°C (14°F to 104 °F)
Storage temperature	-40°C to 60°C (-40°F to 140°F)



Mettler-Toledo GmbH
CH-8606 Greifensee, Switzerland
Tel. +41-44-944 22 11
Fax +41-44-944 30 60