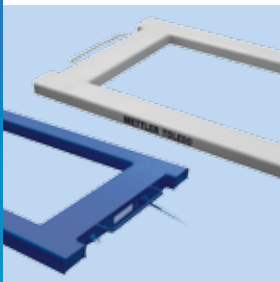


## Mobile, Solid and Easy to Use **BSA221 and BSA226**



### Terminal

- Big and bright LED display
- Standard RS232 interface
- IP54 for plastic housing
- IP65 for stainless steel housing



### Weigh Bridge

- BSA221 – Carbon steel version
- BSA226 – Stainless steel version



### Structure

- Handle and wheels for easy moving
- RockerFoot ensures accurate and reliable weighing
- Level bubble for simple and fast platform leveling



### Complete Pallet Weighing Solution

The BSA221/BSA226 with capacities up to 1500 kg is a functional complete pallet scale and ideal for transshipment like goods receiving and shipping departments. Wheels in the fork end and a handle on the frame make the platform fit for flexible use. Weigh on site. Terminal and platform are preassembled and optionally fully approved. The unique RockerFoot suspension guarantees a good shock- and vibration damping. After alignment, the BSA221/BSA226 is immediately ready for use. The painted version BSA221 is supplied with the robust IND221 terminal. The stainless steel version BSA226 is designed for harsh environments and is supplied with the stainless steel IND226 terminal.

The terminal IND221/IND226 is easy to use and the large 30 mm display allows quick reading even under difficult environmental conditions.

## BSA221/BSA226 Pallet Scales

### Specifications

Model	BSA221-600	BSA221-1500	BSA226-600	BSA226-1500	
Capacity (kg)	600	1500	600	1500	
Accuracy class	III				
Resolution 3000e SR* (kg)	0.2	0.5	0.2	0.5	
Minimum capacity (kg)	4	10	4	10	
Max. static safe load (kg)	Central	2500	1200	2500	
	Side	600	1250	600	1250
	Corner	300	650	300	650
Protection class	Load cell	IP67		IP68	
	J-BOX	IP68			
	Terminal	IP54		IP65	
Temperature range	-10°C to +40°C for accuracy class III				

SR\* = Single Range

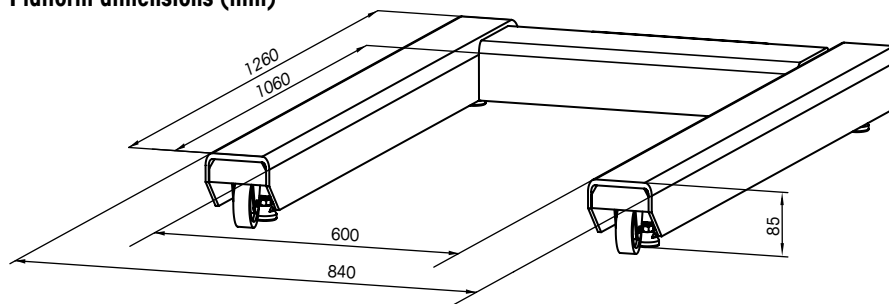
### BSA221

- Painted carbon steel platform
- Plastic house terminal
- 5 m connection signal cable

### BSA226

- Stainless steel platform, AISI304
- Stainless steel house terminal, AISI304
- 5 m connection signal cable

Platform dimensions (mm)

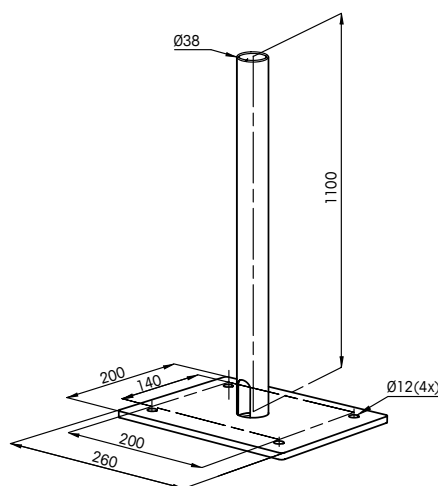


### Accessories

- Terminal stand

Model	S110-IND221	S110-IND226
Suitable to	BSA221	BSA226
Material	Stainless steel, AISI304	
Note	Included terminal bracket	

Terminal stand dimensions (mm)



### Mettler-Toledo AG

CH-8606 Greifensee  
Switzerland  
Phone +41 44 944 22 11  
Fax +41 44 944 30 60

Subject to technical changes  
© 04/2012 Mettler-Toledo AG  
Printed in Switzerland  
MarCom Industrial  
MTSI 44098311

**METTLER TOLEDO** Service

[www.mt.com/BSA221\\_BSA226](http://www.mt.com/BSA221_BSA226)

For more information