

Manual labeling

Compact and professional labeling



Simple to use

All the Etica products have an extremely intuitive graphical interface. The self-explaining icons and menus simply guide operators through processes quickly. The full touch-screen interface allows customized keys for your specific application.



Comprehensive

Like all other products in the range, the Etica 3300-H has a very wide array of features and satisfies the requirements of modern weighing-labelling applications in a commercial environment. In particular, it offers comprehensive and user-friendly tools for managing the traceability of fresh products.



Print high quality labels

The Etica 3300-H has a built in label printer designed for high quality label printing for even more demanding barcode print like GS1-Databar, EAN128, PDF417 or QR Codes to ensure your customer satisfaction.



Compact and modern

The very compact Etica 3300-H can easily be integrated on counters or work stations, in workshops or retail areas. It may be integrated on a table for manual packaging with a stretch-film.



Etica 3300-H

The Etica 3300-H is a manual weigh-price labeler offering a wide range of Prepack features. Its very compact size is perfect for integration on a manual packaging table in delicatessen, dairy or meat departments in all types of stores. As part of the Etica product line, it shares the common user interface. Operators effortlessly use the intuitive icons and menus to set up PLUs or design labels. Required changes are completed with just a few steps on the touch screen display. To meet your different customer demands, the compact integrated printer allows you to print large labels in high resolution and adapt quickly to new requests for traceability or additional ingredients specifications. Easily connectable to standard Ethernet network and handheld barcode scanners, the Etica 3300-H is the modern compact Prepack terminal.

Technical data

Etica 3300-H

Manual weigh-price labeling

Application features

Up to 30 000 PLU items
10 000 characters per ingredient list per PLU
255 tares, 4 programmable dates
Weight and tare up to 5 characters
Price per article up to 8 characters
Price to pay up to 9 characters
Libraries for texts, ingredients, and label layouts
Integrated label editor
On screen help messages
Tracing incoming items with automatic barcode scan
Effortless handling of a large amount of text through full screen display
Simple on screen methods for handling article re-labeling, loss, return and cancellation
Modes include variable weight/price, fixed weight and fixed price as well as piece and weight only articles
Multiple country prices and languages
Printing of labels with manual fixed weight entry
Printing and reading of GS1 barcodes: Databar (RSS14), 128 (EAN128), EAN8, EAN13, UPC-A, UPC-E, ITF14, code 128, code 39, code 93, QRCode, PDF417...

Data management

Advanced statistical functions
Configurable reporting capabilities
Event logs

User interface

12.1" touch-sensitive screen (30.7 cm)
Touchscreen with backlit LED technology
Adjustable tilt angle
Screen resolution: 800 x 600 pixels
32-bit color depth

Data storage

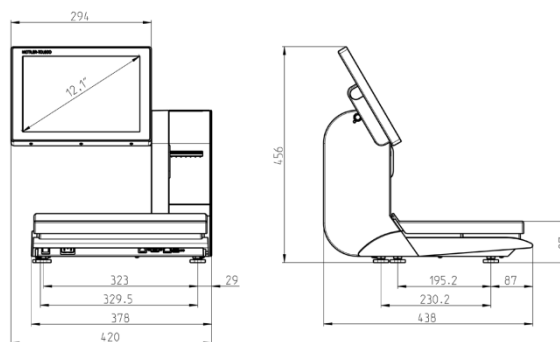
160 GB hard drive
1,024 MB RAM
Limitless number of logos and label definitions

Interfaces and host communication

Interfaces: RS232, Ethernet (10baseT) TCP/IP, 2 x USB
Host communication through METTLER TOLEDO ETITRANS

Security

Menus password protected
Data security by storing data on a removable disk
Level defined operator access rights



Weighing range	Readability	Min. weight
6/15 kg	2/5 g	40 g

Printing

Thermal direct
Support Windows® fonts
Support for various fonts and character sets (Cyrillic, Arabic, Chinese, Greek)
Printing of multiple logos
Label size max. 55x200mm
Printable width 54mm
Multi-directional printing
Maximum role diameter 126mm
Connection to external printers possible for specific needs

Remote maintenance and data communication

InTouchSM Remote Services
FTP (File Transfer Protocol)
VNC (Virtual Network Computing)

Options

External printers
Handheld barcode scanners



ISO 9001 quality management certification
ISO 14001 environmental management certification
Internet: <http://www.mt.com>
Worldwide service

Subject to technical changes
©04/2012 Mettler-Toledo EPEC
Printed in Switzerland
Ref: 292 30 712 - v1.0

www.mt.com/retail

For more information

