

Weighing and labeling.

One device. Twice the functionality.



Simple functional switchovers

A slow period at the sales counter? Your staff can switch over the bC-U2 Black with twin printer to labeling mode at the touch of a button. Convenient price marking for the self-service counter in the sales area until the next customer arrives. Saves time, equipment and long staff routes.



Bright displays

High-contrast and easily legible: the standard alphanumeric segment display for articles, prices and weights. The high-resolution dot matrix display, which is available as an option, also supports graphics or advertising messages.



Fast operation

The bC-U2 Black counter scales with twin printer impress with their fast weighing processes and classic keyboard feel. With their timelessly elegant Black Line housing, the scales also fit in perfectly with modern store designs.



Individual key assignment

With its 99 keys, 30 of which are function keys and 69 are freely programmable fixed keys, you can set up the keyboard on the bC-U2 Black store scales to meet your individual requirements. You can also access 69 more fixed keys by pressing shift.



bC-U2 Black with twin printer Counter scales with integrated twin printer

The bC-U2 Black counter scales with integrated twin printer are the ideal choice for retailers looking to combine service and prepackaging at their sales counters. A simple touch of a button is all that is required for your sales staff to switch from service to labeling mode. Fast, convenient, uncomplicated. Without paper changes. With its 99 keys and integrated twin printer, the bC-U2 Black is the perfect choice for retailers with small to medium-sized product ranges. The bC-U2 Black counter scales with twin printer combine easy and ergonomic operation with impressive multifunctionality at sales counters – thereby setting new standards in their performance class.

METTLER TOLEDO bC-U2b with twin printer

Performance features

- **Weighing and labeling at the sales counter – saving you space, time and money**
- **Powerful technology – for fast weighing without wait times**
- **Easy to look after and maintain – ensuring a high level of service availability**
- **Simple networking – for perfectly integrated processes**

bC Black range of scales

Rugged. Reliable. Durable. The bC Black range of scales combines state of the art weighing technology with tried and tested keyboard operations. The scales impress with their fast weighing processes, proven functionality and extensive equipment options. The model range includes weighing solutions for all fresh food areas – whether service counters, self service areas or prepackaging.

Technical data bC-U2 Black with twin printer

Keyboard

Patented, removable Light Touch keyboard
Easy to clean and non-wearing
99 keys in total, of which 30 function keys
69 freely programmable fixed keys, each of which can be assigned 2 functions using the shift key

Display

High resolution back lit LCD
Weight: 5 digits
Tare: 5 digits
Basic price: 7 digits
Total price: 7 digits
Text line: 16 alphanumeric characters
Optional: 240 x 240 dot matrix display

Functions

Serving function, prepackaging including traceability, cash register function, inventory function, large volume sales, self service and training function, service function with sales slip, label, label and total label, self-adhesive total sales slips.

Reporting

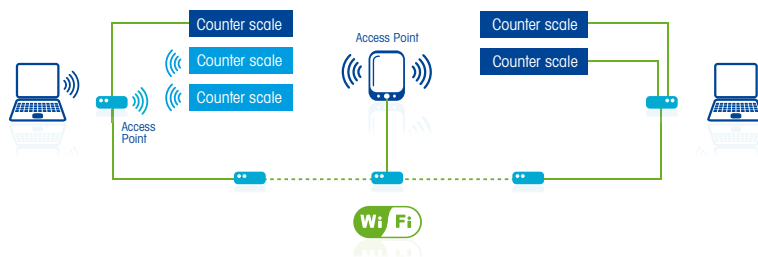
Adjustable daily reports
Reporting at two revenue levels
Electronic revenue journal
Reports per staff member, department, category, article, price changes, special offers, transactions

Printers

2" printer (54 mm), thermoprinting strip, for sales slip printing and an additional printer for labels (54 mm printing width)
Printing speed: up to 1/2" per second
Logo printing on sales slips and labels
Freely definable and predefined labels
Printing of EAN13 and GS1 DataBar

Modern networking

bC Black store balances can easily be combined to form a virtually unlimited network. PC data processing simplifies the central control of information streams.



Data storage

3 MB RAM, optionally extendable up to 8 MB
4 MB application memory

Security

Staff login with password
Electronic journal
Price changes and sales reports protected by pin codes

Interfaces and protocols

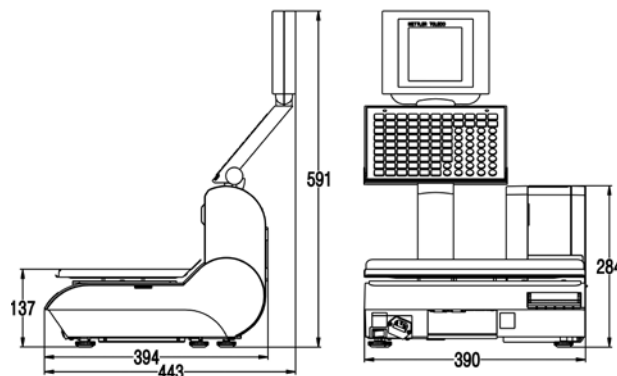
RJ45, 10Base-T, Ethernet TCP/IP
1 x serial interface
1 x RJ11 interface for controlling the cash register drawer
1 x USB connection
Integrated wireless solution for wireless data transmission in line with the IEEE 802.11b/g standard (optional)

Housing color

Black

Weighing range	12 kg	15 kg	3/6 kg	6/15 kg	30 kg
Graduation	2 g	5 g	1/2 g	2/5 g	5 g
Minimum capacity*	40 g	100 g	20 g	40 g	100 g

Automatic zeroing; *EC: printout at minimum capacity possible, although not with price marking.



ISO 9001 quality management certification
ISO 14001 environmental management certification
Internet: <http://www.mt.com>
Worldwide service

Subject to technical changes.
© 10/2011 Mettler-Toledo AG
Printed in Germany 22022265
Global MarCom Switzerland

www.mt.com/retail

More information

