

## Informative. Clear. Well Structured. Displays for Checkout Scales



### Convenient display

The display boosts customer confidence and is convenient for customers to use: The alphanumeric display with LCD technology shows the item name as well as the weight, unit price, and amount. Its diverse installation and upgrade options make it particularly suitable for adapting to the individual requirements of each checkout area.



### Virtual checkout display

The VCODisp software module is ideal for checkout areas in which valuable space is limited. VCODisp shows cash register and weighing information together on the cash register monitors, so there is no need for a separate scale monitor. VCODisp creates more space and visual simplicity at the checkout, ensuring a relaxed shopping experience.



### Four-line price and weight display

The customer can immediately see how much they are spending after each item is scanned: The price-computing display clearly lists weight, unit price, and amount. Large numbers, an anti-glare display screen, and a backlit display, which switches off when unused to save energy, ensure good readability.



### Single-line weight display

The display without price computing enhances the Ariva checkout scale with a single-line weight-only display with weighing information. Large numbers, an anti-glare display screen, and a backlit display – which switches off when unused to save energy – ensure good readability.



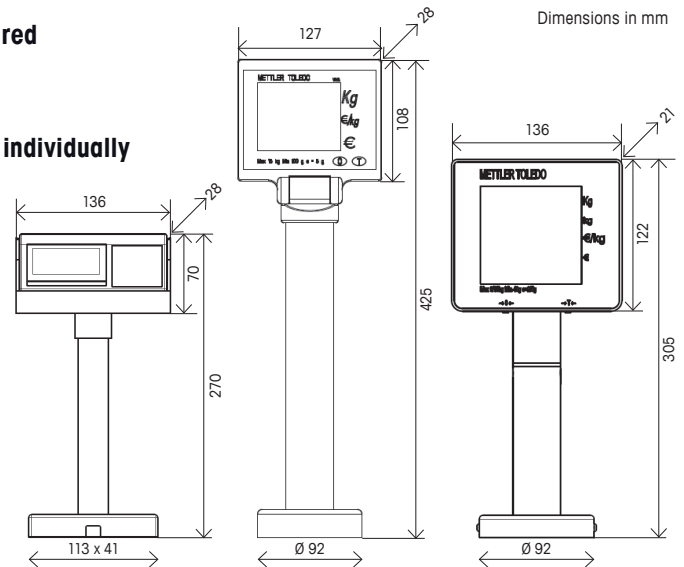
### Ariva Display Options

METTLER TOLEDO's Ariva Line offers high performance checkout scales for retailers. The Ariva Line offers retailers a variety of options in terms of price, weight, and item display, enabling them to adapt their checkout scales to the conditions of their own checkout area. All Ariva display options are compatible with all models in the Ariva Line. Models in the Ariva Line range from displays with or without price computing, to the Virtual Checkout Display VCODisp for self-service and classic checkout solutions, through to a convenient alphanumeric display with item display, which mirrors the design of the METTLER TOLEDO touchscreen scales.

- **Compatible** – all Ariva checkout scales can be combined as desired
- **Variable** – for classic and self-service checkout applications
- **Ergonomic** – anti-glare and high-contrast for good readability
- **Suits your needs** – display and upgrade options can be selected individually

## Increased Quality of Customer Service

METTLER TOLEDO's Ariva Line offers high performance checkout scales for retailers. The Ariva series comprises weighing modules for integration into bi-optical scanners (Ariva-B), scales for integration with horizontal scanners (Ariva-H), and stand-alone scales without scanners used at the point of sale (Ariva-S).



## Technical Data

### Displays for Ariva checkout scales

#### Compatibility

All displays are fully compatible with all METTLER TOLEDO Ariva Line checkout scale models – Ariva-B, Ariva-H, and Ariva-S.

#### Convenient Alphanumeric Display for Price Computing

- High-contrast, backlit seven-segment displays with LCD technology and upgradability options with alphanumeric dot-matrix display for displaying text such as item names
- Modern design in black
- Various vertical and horizontal reading angles
- Second display (one display each for customer and cashier on a stand) can be installed as an option
- 6-digit weight display
- 7-digit display for unit price
- 7-digit display for amount
- 5-digit tare display
- Item name up to 21 characters (Dialog 06: 13 characters), character height 8.5 mm
- Keys for taring and zeroing
- Contrast ratio: >250:1
- Temperature range: -10 – +40°C, 0–85% humidity, non-condensing
- Installation options
  - Stand adjustment
  - Second display
  - Adapter for SpacePole® from Ergonomic Solutions

#### Virtual Checkout Display VCODisp

- Software module VCODisp (Virtual Checkout Display) for displaying weighing information on the cash register monitor
- Taring and zeroing using keys on the scanner and optionally using touch buttons on the VCODisp weight window or via an optional keypad
- Free positioning of the VCODisp window on the cash register monitor

- Long-term display of the weighing information possible
- Text, frame, and background colors can be set individually (system colors, RGB)
- Configuration via XML file or configuration tool with graphical user interface
- Minimum requirements for cash register monitors:
  - >= 1/4 VGA 320 x 240 pixels, visible minimum height 120 mm
- Available for Windows and Linux
- Installed scales can be upgraded with the VCODisp function at a later date.

#### Four-Line Display for Price Computing Applications

- Light, backlit seven-segment display with LCD technology
- Energy-saving function
- 5-digit weight display
- 6-digit display for unit price
- 6-digit display for amount
- 4-digit tare display
- Keys for taring and zeroing
- Contrast ratio: approx. 100:1
- Temperature range: -10 – +40°C, 0–85% humidity, non-condensing

#### Single-Line Display for Non-price Computing Applications

- Light, backlit seven-segment display with LCD technology
- Energy-saving function
- 5-digit weight display
- Keys for taring and zeroing
- Contrast ratio: 100:1
- Temperature range: -10 – +40°C, 0–85% humidity, non-condensing

#### Further Information

For more details of what the Ariva checkout scales can do and information about optional applications, please contact your METTLER TOLEDO sales representative.



ISO 9001 quality management certification  
ISO 14001 environmental management certification

Subject to technical changes  
© 02/2015 Mettler-Toledo AG  
Printed in Germany 30216987  
Global MarCom Switzerland

[www.mt.com/retail](http://www.mt.com/retail)

For more information