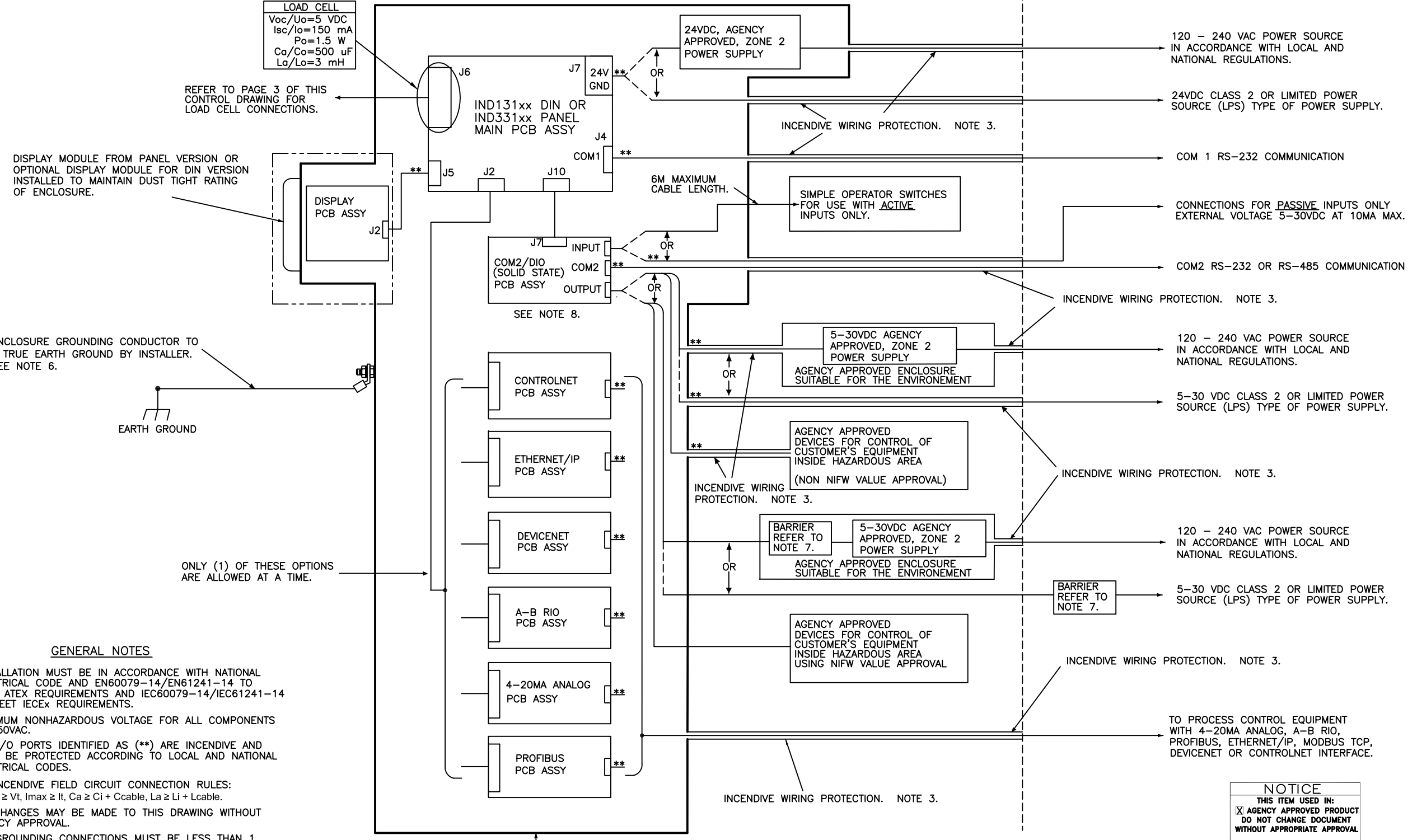


72246295R

ZONE 2/22 HAZARDOUS AREA

NON HAZARDOUS SAFE AREA



LOAD CELL
 $V_{oc}/U_o=5$ VDC
 $I_{sc}/I_o=150$ mA
 $P_o=1.5$ W
 $C_a/C_o=500$ uF
 $L_a/L_o=3$ mH

REFER TO PAGE 3 OF THIS CONTROL DRAWING FOR LOAD CELL CONNECTIONS.

DISPLAY MODULE FROM PANEL VERSION OR OPTIONAL DISPLAY MODULE FOR DIN VERSION INSTALLED TO MAINTAIN DUST TIGHT RATING OF ENCLOSURE.

ENCLOSURE GROUNDING CONDUCTOR TO A TRUE EARTH GROUND BY INSTALLER. SEE NOTE 6.

EARTH GROUND

ONLY (1) OF THESE OPTIONS ARE ALLOWED AT A TIME.

GENERAL NOTES

- 1.) INSTALLATION MUST BE IN ACCORDANCE WITH NATIONAL ELECTRICAL CODE AND EN60079-14/EN61241-14 TO MEET ATEX REQUIREMENTS AND IEC60079-14/IEC61241-14 TO MEET IECEX REQUIREMENTS.
- 2.) MAXIMUM NONHAZARDOUS VOLTAGE FOR ALL COMPONENTS IS 250VAC.
- 3.) ALL I/O PORTS IDENTIFIED AS (**) ARE INCENDIVE AND MUST BE PROTECTED ACCORDING TO LOCAL AND NATIONAL ELECTRICAL CODES.
- 4.) NONINCENDIVE FIELD CIRCUIT CONNECTION RULES:
 $V_{max} \geq V_t$, $I_{max} \geq I_t$, $C_a \geq C_i + C_{cable}$, $L_a \geq L_i + L_{cable}$.
- 5.) NO CHANGES MAY BE MADE TO THIS DRAWING WITHOUT AGENCY APPROVAL.
- 6.) ALL GROUNDING CONNECTIONS MUST BE LESS THAN 1 OHM RESISTANCE TO TRUE EARTH GROUND. CONNECTION OF EQUIPOTENTIAL BONDING PER COUNTRY SPECIFIC REGULATIONS. ENCLOSURES OF ALL EQUIPMENT MUST BE CONNECTED TO THE SAME EARTH GROUNDING POINT.
- 7.) BARRIER SELECTED TO MATCH NIFW PARAMETERS OF AGENCY APPROVED NIFW CONTROL DEVICE.
- 8.) ONLY THE SOLID STATE VERSION OF THE COM2/DIO OPTION IS APPROVED FOR USE. DO NOT USE THE RELAY VERSION OF THE COM2/DIO OPTION IN A HAZARDOUS AREA.

PANEL MOUNT VERSION IND331xx (33P10000xx00400)
 AND
 DIN RAIL VERSION IND131xx (13D10000xx00400)

CUSTOMER OR MT PROVIDED AGENCY APPROVED ENCLOSURE APPROPRIATE FOR ENVIRONMENTAL PROTECTION IN ZONE 2 AND ZONE 22 HAZARDOUS LOCATIONS.

NOTICE
 THIS ITEM USED IN:
 AGENCY APPROVED PRODUCT
 DO NOT CHANGE DOCUMENT
 WITHOUT APPROPRIATE APPROVAL

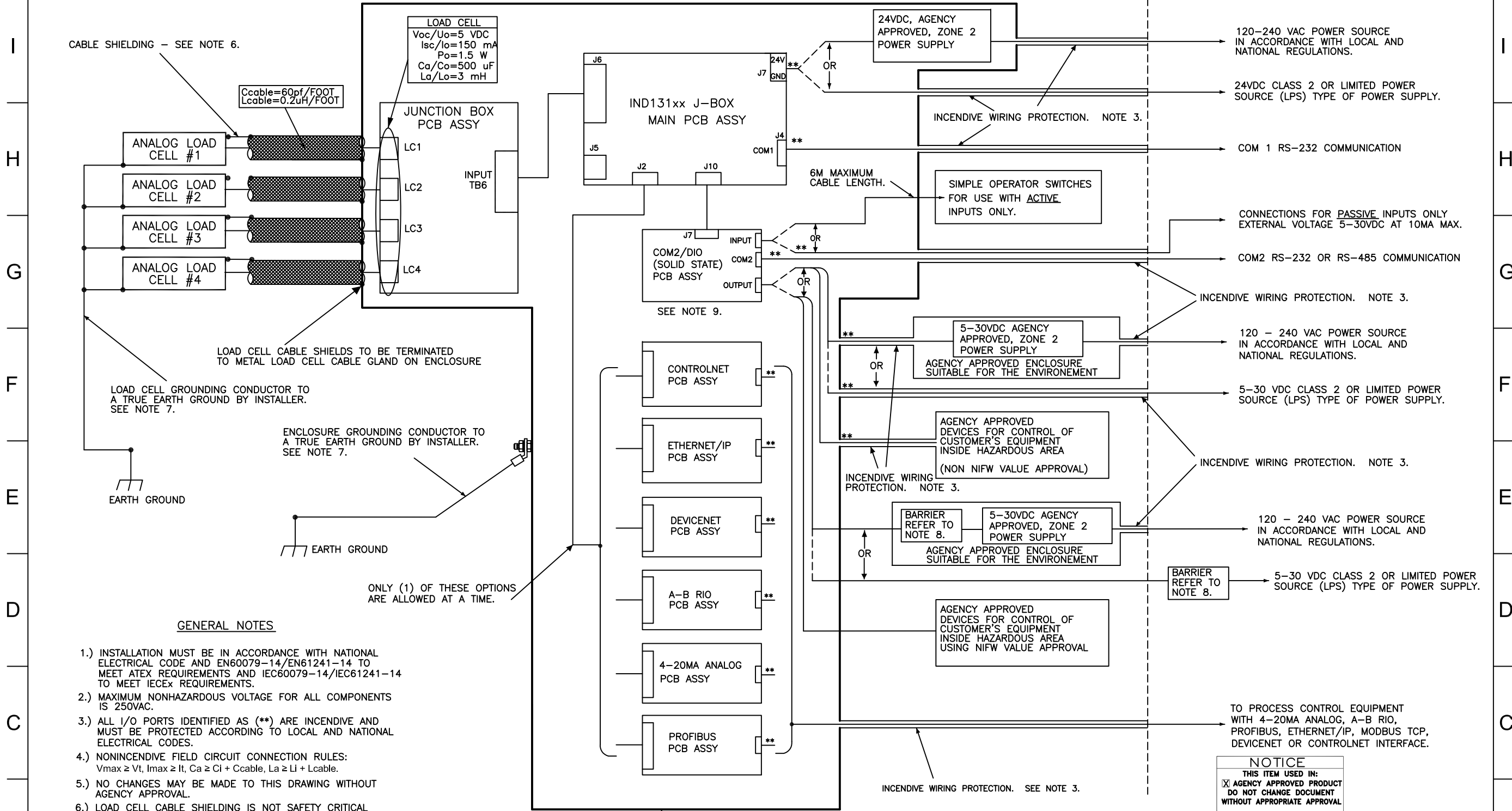
ATEX / IECEX INSTALL DRAWING ZONE 2 & ZONE 22				METTLER TOLEDO MTCN / MTCZ IND131xx DIN, IND331XX PANEL	
版本/VER	更改号/ER	ECN.NO.	更改人/BY	日期/DATE	图样阶段/STAGE
设计/DRN	潘菁菁	批准/APPD			
审核/CHECK	王树君	认证/AGEN			
工艺/MFG	朱建忠	日期/DATE	010.Aug.30		
SHEET: 第 1 页 of 共 3 页			重量/WGT	比例/SCALE	1:1
			72246295R		

认证标志/Appro Mark	
<input type="radio"/> Metrology	
<input type="radio"/> Safety	
<input type="radio"/> Ex	

72246295R

ZONE 2/22 HAZARDOUS AREA

NON HAZARDOUS SAFE AREA



CABLE SHIELDING - SEE NOTE 6.

Ccable=60pf/FOOT
Lcable=0.2uH/FOOT

LOAD CELL
Voc/Uo=5 VDC
Isc/Io=150 mA
Po=1.5 W
Ca/Co=500 uF
La/Lo=3 mH

ANALOG LOAD CELL #1
ANALOG LOAD CELL #2
ANALOG LOAD CELL #3
ANALOG LOAD CELL #4

LOAD CELL CABLE SHIELDS TO BE TERMINATED TO METAL LOAD CELL CABLE GLAND ON ENCLOSURE

LOAD CELL GROUNDING CONDUCTOR TO A TRUE EARTH GROUND BY INSTALLER. SEE NOTE 7.

ENCLOSURE GROUNDING CONDUCTOR TO A TRUE EARTH GROUND BY INSTALLER. SEE NOTE 7.

ONLY (1) OF THESE OPTIONS ARE ALLOWED AT A TIME.

GENERAL NOTES

- 1.) INSTALLATION MUST BE IN ACCORDANCE WITH NATIONAL ELECTRICAL CODE AND EN60079-14/EN61241-14 TO MEET ATEX REQUIREMENTS AND IEC60079-14/IEC61241-14 TO MEET IECEx REQUIREMENTS.
- 2.) MAXIMUM NONHAZARDOUS VOLTAGE FOR ALL COMPONENTS IS 250VAC.
- 3.) ALL I/O PORTS IDENTIFIED AS (**) ARE INCENDIVE AND MUST BE PROTECTED ACCORDING TO LOCAL AND NATIONAL ELECTRICAL CODES.
- 4.) NONINCENDIVE FIELD CIRCUIT CONNECTION RULES:
 $V_{max} \geq V_t$, $I_{max} \geq I_t$, $C_a \geq C_i + C_{cable}$, $L_a \geq L_i + L_{cable}$.
- 5.) NO CHANGES MAY BE MADE TO THIS DRAWING WITHOUT AGENCY APPROVAL.
- 6.) LOAD CELL CABLE SHIELDING IS NOT SAFETY CRITICAL AND CAN VARY FROM METHOD SHOWN IF REQUIRED FOR A STABLE WEIGHT READING.
- 7.) ALL GROUNDING CONNECTIONS MUST BE LESS THAN 1 OHM RESISTANCE TO TRUE EARTH GROUND. CONNECTION OF EQUIPOTENTIAL BONDING PER COUNTRY SPECIFIC REGULATIONS. ENCLOSURES OF ALL EQUIPMENT MUST BE CONNECTED TO THE SAME EARTH GROUNDING POINT.
- 8.) BARRIER SELECTED TO MATCH NIFW PARAMETERS OF AGENCY APPROVED NIFW CONTROL DEVICE.
- 9.) ONLY THE SOLID STATE VERSION OF THE COM2/DIO OPTION IS APPROVED FOR USE. DO NOT USE THE RELAY VERSION OF THE COM2/DIO OPTION IN A HAZARDOUS AREA.

J-BOX VERSION IND131xx (13B10000xx00400)

MT PROVIDED STAINLESS STEEL OUTER ENCLOSURE APPROPRIATE FOR ENVIRONMENTAL PROTECTION IN ZONE 2 AND ZONE 22 HAZARDOUS LOCATIONS.

NOTICE
THIS ITEM USED IN:
X AGENCY APPROVED PRODUCT
DO NOT CHANGE DOCUMENT
WITHOUT APPROPRIATE APPROVAL

认证标志/Appro Mark	
<input type="radio"/> Metrology	
<input type="radio"/> Safety	
<input type="radio"/> Ex	

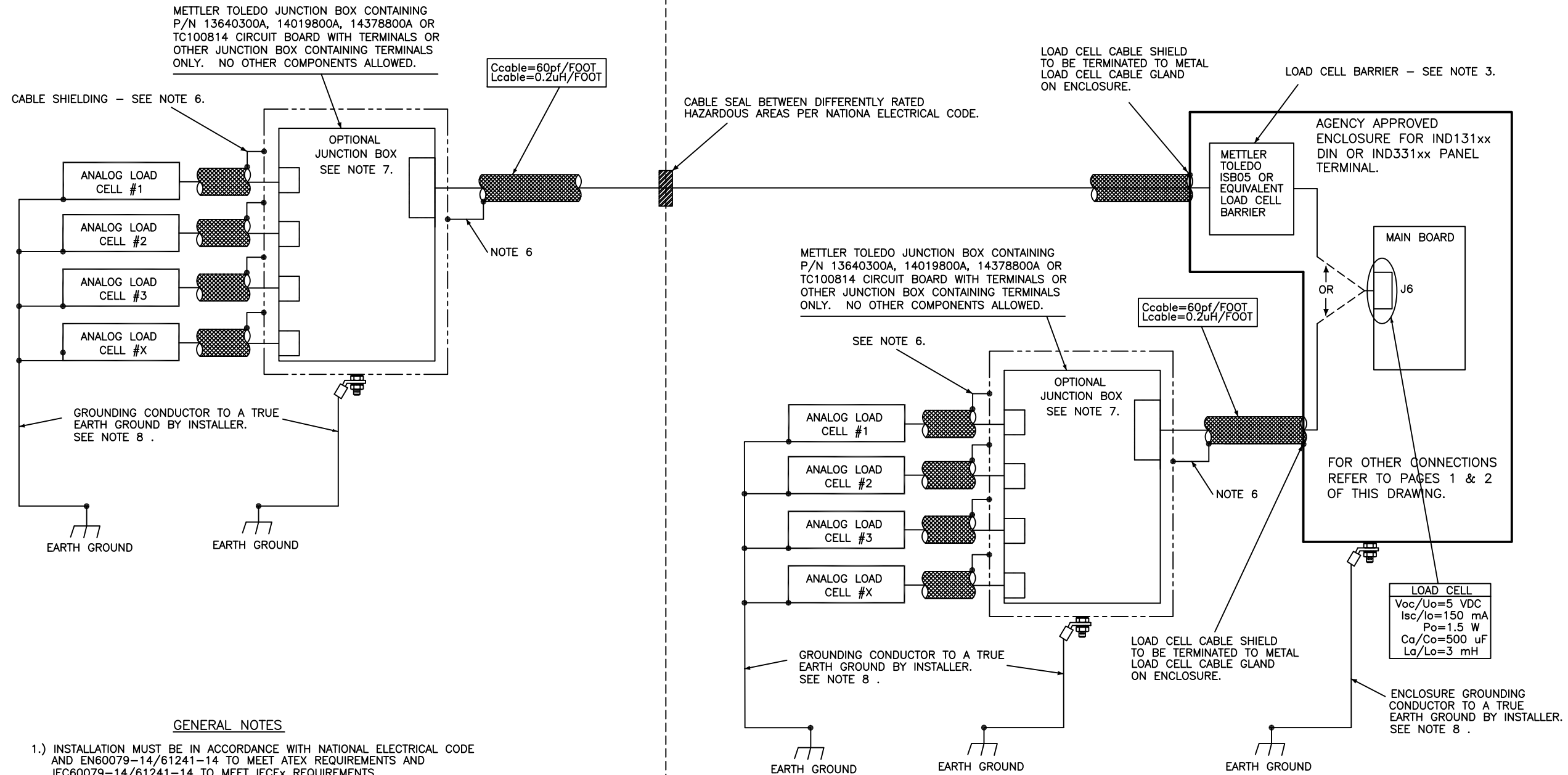
ATEX / IECEx		INSTALL DRAWING		ZONE 2 & ZONE 22	
版本/VER	更改号/ER	ECN.NO.	更改人/BY	日期/DATE	图样阶段/STAGE
设计/DRN	潘菁菁	批准/APPD			
审核/CHECK	王树君	认证/AGEN			
工艺/MFG	朱建忠	日期/DATE	010.Aug.30		
SHEET: 第 2 页 of 共 3 页					

METTLER TOLEDO
MTCN / MTCZ
IND131xx J-Box
72246295R

72246295R

ZONE 1 / ZONE 21
HAZARDOUS AREA

ZONE 2 / ZONE 22
HAZARDOUS AREA



GENERAL NOTES

- 1.) INSTALLATION MUST BE IN ACCORDANCE WITH NATIONAL ELECTRICAL CODE AND EN60079-14/61241-14 TO MEET ATEX REQUIREMENTS AND IEC60079-14/61241-14 TO MEET IECEX REQUIREMENTS.
- 2.) MAXIMUM NONHAZARDOUS VOLTAGE FOR ALL COMPONENTS IS 250VAC.
- 3.) WHEN THE LOAD CELLS ARE LOCATED IN A ZONE 1 OR ZONE 21 AREA, A BARRIER IS REQUIRED. METTLER TOLEDO MODEL ISB05, ISB05X OR EQUIVALENT BARRIER CAN BE INSTALLED INSIDE A DUST TIGHT ENCLOSURE OR THE MODEL ISB05X CAN BE INSTALLED INSIDE THE ZONE 1, 2, 21, 22 HAZARDOUS AREA. REFER TO ISB TECHNICAL MANUAL *16496200A FOR MORE DETAILS.
- 4.) NONINCENDIVE FIELD CIRCUIT CONNECTION RULES:
 $V_{max} \geq V_t$, $I_{max} \geq I_t$, $C_a \geq C_i + C_{cable}$, $L_a \geq L_i + L_{cable}$.
- 5.) NO CHANGES MAY BE MADE TO THIS DRAWING WITHOUT AGENCY APPROVAL.
- 6.) LOAD CELL CABLE SHIELDING IS NOT SAFETY CRITICAL AND CAN VARY FROM METHOD SHOWN IF REQUIRED FOR A STABLE WEIGHT READING.
- 7.) A JUNCTION BOX IS REQUIRED IF MORE THAN 1 LOAD CELL IS CONNECTED OR IF A LONGER LOAD CELL CABLE IS REQUIRED.
- 8.) ALL GROUNDING CONNECTIONS MUST BE LESS THAN 1 OHM RESISTANCE TO TRUE EARTH GROUND. CONNECTION OF EQUIPOTENTIAL BONDING PER COUNTRY SPECIFIC REGULATIONS. ENCLOSURE OF ALL EQUIPMENT MUST BE CONNECTED TO THE SAME EARTH GROUNDING POINT.

* -- MAY HAVE A LETTER REVISION

NOTICE
THIS ITEM USED IN:
 AGENCY APPROVED PRODUCT
DO NOT CHANGE DOCUMENT
WITHOUT APPROPRIATE APPROVAL

ATEX / IECEX				MTCN / MTCZ	
INSTALL DRAWING				LOAD CELL CONNECTIONS	
ZONES 1, 2, 21 & 22				72246295R	
版本/VER	更改号/ER	ECN.NO.	更改人/BY	日期/DATE	图样阶段/STAGE
设计/DRN	潘菁菁	批准/APPD			S A
审核/CHECK	王树君	认证/AGEN			1:1
工艺/MFG	朱建忠	日期/DATE	010.Aug.30		SHEET: 第 3 页 of 共 3 页

Mettler Toledo	
MTCN / MTCZ	
LOAD CELL CONNECTIONS	
72246295R	

认证标志/Appro Mark	
<input type="radio"/> Metrology	
<input type="radio"/> Safety	
<input type="radio"/> Ex	