

# InPro 4010 pH Sensor

## Consistent, Reliable pH Monitoring Rugged and Economical



### Low Maintenance

Due to the solid polymer electrolyte, this pH probe requires no refilling or pressurization of the electrolyte, reducing maintenance efforts.



### Resists Fouling & Poisoning

The open aperture double-junction reference resists fouling and clogging to reduce cleaning requirements for reliable pH monitoring in wastewater and contaminated media.



### Reliable pH Monitoring

The InPro® 4010 with solid polymer electrolyte is suitable for inlet and outflow channels, neutralization tanks, secondary settlers, aeration basins, rainwater catchments, pipes and conduits.



### Optimal for Immersion

The InPro 4010 fits a wide range of METTLER TOLEDO process housings, including the InDip® immersion housing for open tanks and basins.



### InPro 4010 Sensors Solid Polymer Electrolyte pH Probe

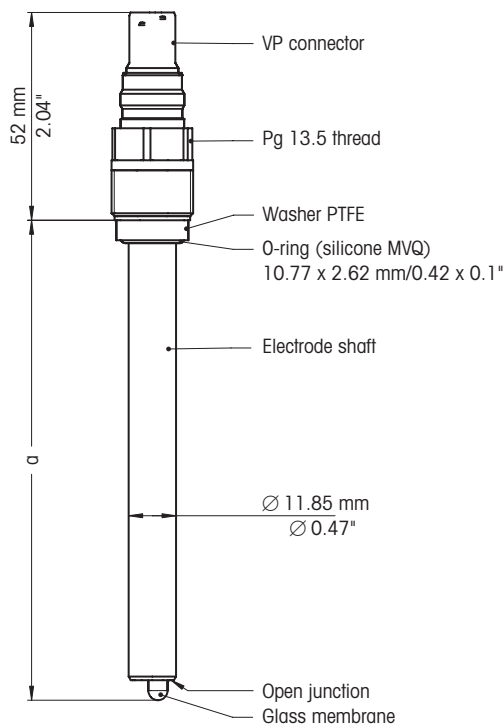
The InPro 4010 is a low-maintenance, economical pH sensor designed for industrial wastewater monitoring. It is a rugged pH sensor providing reliable performance in contaminated liquids.

## Technical Data of the InPro 4010

Measurement Parameter	pH
ISM (Digital) or Analog	Analog
pH Sensing Technology	General Purpose Glass Membrane
pH Range	2.000–12.000
Reference System	Xerolyt® polymer electrolyte, open double junction, Argenthal® cartridge with silver-ion trap
Operating Temperature	0–60 °C (32–140 °F)
Operating Pressure	0–1 barg @ 60 °C (0–15 psig @ 140 °F)
Cable Connector	VP
Process Connection	Pg 13.5 thread
Temperature Sensor	None; Pt 100; Pt 1000
Shaft Material	PEEK
Sensor Length	120 mm
Hazardous Area Approvals	No
Hygienic/Biocompatibility Approvals	No
Sterilizable/Autoclavable	No
Primary Media/Application	Wastewater
Certificates & Approvals	CE; METTLER TOLEDO Quality Certificate; PED

## Ordering Information

pH Sensor	Shaft Length	Order Nr.
InPro 4010/120	120mm	52 000 510
InPro 4010/120/Pt100	120mm	52 000 511
InPro 4010/120/Pt1000	120mm	52 000 512



Technical drawing InPro 4010

► [www.mt.com/InPro4010](http://www.mt.com/InPro4010)

Get a complete solution tailored to your application.



M300 multi-parameter transmitter



InDip 550 immersion housing



pH buffers

InPro, InDip, Xerolyt and Argenthal are trademarks of the METTLER TOLEDO Group.



Management System certified according to ISO 9001 / ISO 14001

## METTLER TOLEDO Group

Process Analytics  
Local contact: [www.mt.com/contacts](http://www.mt.com/contacts)

Subject to technical changes  
04/2021 © METTLER TOLEDO  
All rights reserved. PA2096en A  
MarCom Urdorf, CH

[www.mt.com/pro](http://www.mt.com/pro)

For more information