

EULA

The software in this product is licensed under the METTLER TOLEDO End User License Agreement (EULA) for Software.

► www.mt.com/EULA

When using this product you agree to the terms of the EULA.

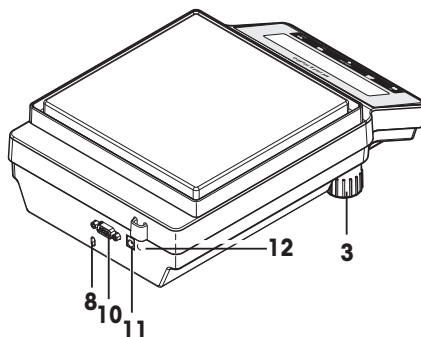
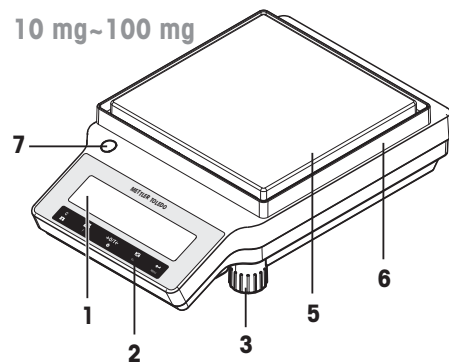
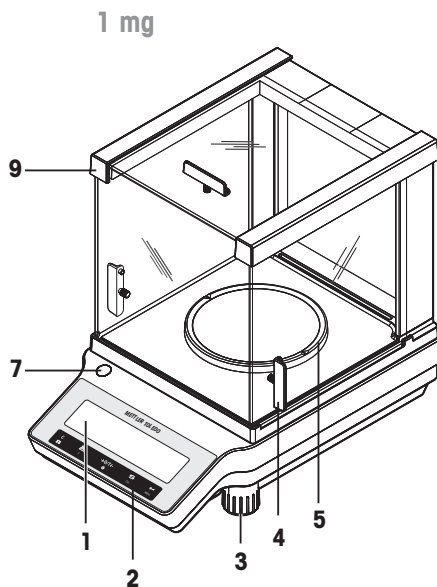
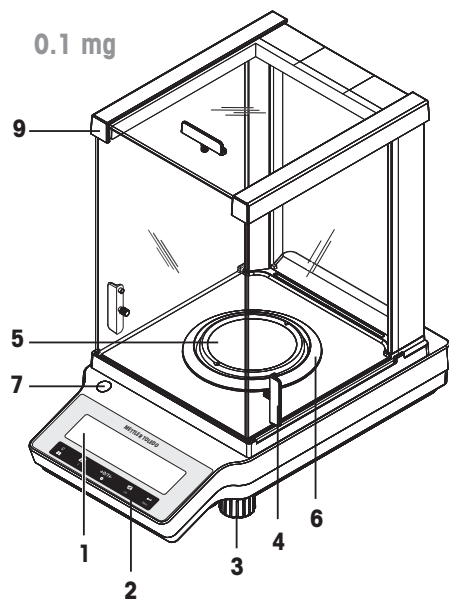


This User Manual is a brief instruction that provides information to handle with the first steps of the instrument in a safe and efficient manner. Personnel must have carefully read and understood this manual before performing any tasks.

For full information, always consult the Reference Manual (RM).

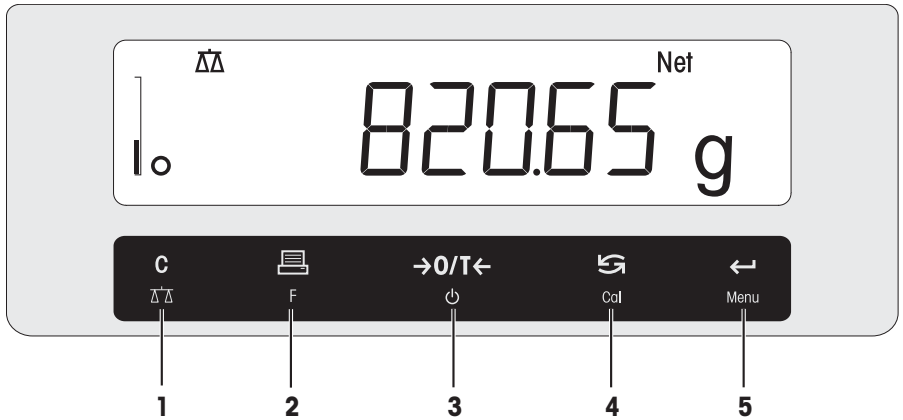
► www.mt.com/me-RM

Overview balance



1	Display	2	Operation keys
3	Leveling foot	4	Handle for operation of the draft shield door
5	Weighing pan	6	Draft shield element
7	Level indicator	8	Kensington slot for anti-theft purposes
9	Glass draft shield	10	RS232C serial interface
11	Socket for AC adapter	12	Legal for Trade (LFT) sealing

Overview operation keys



Legend key functions

No.	Key	Press briefly (less than 1.5 s)	Press and hold (longer than 1.5 s)
1	 C △△	<ul style="list-style-type: none"> Cancel or leave menu without saving One step back in the menu 	<ul style="list-style-type: none"> Select the simple weighing application Exit application
2	 F	<ul style="list-style-type: none"> Print display value Transmit data To navigate backwards in the menu or menu selection Decrease parameters in menu or applications 	<ul style="list-style-type: none"> Open the application list for selecting an application
3	 →0/T← ⏻	<ul style="list-style-type: none"> Zero/Tare Switch on 	<ul style="list-style-type: none"> Switch off into standby mode
4	 Cal	<ul style="list-style-type: none"> With entries, scroll down To navigate forward menu topics or menu selections To toggle between unit 1, recall value (if selected), unit 2 (if different from unit 1) and the application unit (if any) Increase parameters in menu or applications. 	<ul style="list-style-type: none"> Select adjustment (calibration) <ul style="list-style-type: none"> – with internal weight * – with external weight – Customer fine adjustment * <p>* On models with internal weight only</p>
5	 Menu	<ul style="list-style-type: none"> Enter or leave menu selection To enter application parameter digit and switch to next parameter digit To accept parameter in menu selection. 	<ul style="list-style-type: none"> Enter or leave menu (parameter settings) To store parameter To accept numeric inputs in applications.

1 Safety Information

Two documents named "User Manual" and "Reference Manual" are available for this instrument.

- The User Manual is printed and delivered with the instrument.
- The electronic Reference Manual contains a full description of the instrument and its use.
- Keep both documents for future reference.
- Include both documents if you transfer the instrument to other parties.

Only use the instrument according to the User Manual and the Reference Manual. If you do not use the instrument according to these documents or if the instrument is modified, the safety of the instrument may be impaired and Mettler-Toledo GmbH assumes no liability.

1.1 Further applicable documents



This User Manual is a brief instruction that provides information to handle with the first steps of the instrument in a safe and efficient manner. Personnel must have carefully read and understood this manual before performing any tasks.

For full information, always consult the Reference Manual (RM).

► www.mt.com/me-RM

Search for software downloads

► www.mt.com/labweighing-software-download

1.2 Definitions of signal warnings and warning symbols

Safety notes contain important information on safety issues. Ignoring the safety notes may lead to personal injury, damage to the instrument, malfunctions and false results. Safety notes are marked with the following signal words and warning symbols:

Signal words

- WARNING** A hazardous situation with medium risk, possibly resulting in death or severe injury if not avoided.
- CAUTION** A hazardous situation with low risk, resulting in minor or moderate injury if not avoided.
- NOTICE** A hazardous situation with low risk, resulting in damage to the instrument, other material damage, malfunctions and erroneous results, or loss of data.

Warning symbols



Electrical shock



General hazard: read the documentation for information about the hazards and the resulting measures.



Notice

1.3 Product specific safety notes

Intended use

This instrument is designed to be used in laboratories by trained staff. The instrument is intended for weighing purposes.

Any other type of use and operation beyond the limits of technical specifications without written consent from Mettler-Toledo GmbH is considered as not intended.

Responsibilities of the instrument owner

The instrument owner is the person holding the legal title to the instrument and who uses the instrument or authorizes any person to use it, or the person who is deemed by law to be the operator of the instrument. The instrument owner is responsible for the safety of all users of the instrument and third parties.

METTLER TOLEDO assumes that the instrument owner trains users to safely use the instrument in their workplace and deal with potential hazards. METTLER TOLEDO assumes that the instrument owner provides the necessary protective gear.

Personal protective equipment



Chemical resistant safety gloves are intended to protect hands against aggressive chemicals.



The protective goggles protect the eyes from flying parts and liquid splashes.

Safety notes



WARNING

Death or serious injury due to electric shock

Contact with parts that carry a live current can lead to death or injury.

- 1 Only use the approved METTLER TOLEDO power supply cable and AC/DC adapter with a current-limited SELV output.
- 2 Connect the power cable to a grounded power outlet, ensure correct polarity.
- 3 Keep all electrical cables and connections away from liquids and moisture.
- 4 Check the cables and power plug for damage and replace damaged cables and power plugs.



NOTICE

Damage to the instrument due to the use of unsuitable parts

Using unsuitable parts with the instrument can damage the instrument or cause it to malfunction.

- Only use parts from METTLER TOLEDO that are intended to be used with your instrument.



NOTICE

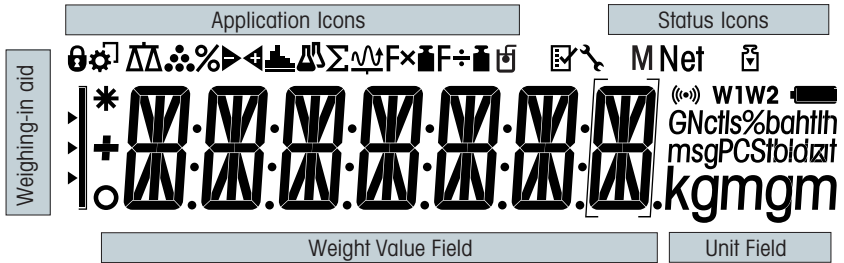
Damage to the instrument or software

In some countries, excessive mains voltage fluctuations and strong glitches may occur. This may affect the instrument functions or damage the software.

- Use a voltage regulator for stabilizing.

2 Design and Function

2.1 Display



Application Icons			
	Application "Weighing"		Application "Totaling"
	Application "Piece counting"		Application "Dynamic weighing"
	Application "Percent weighing"		Application "Multiplication factor"
	Application "Check weighing"		Application "Division factor"
	Application "Statistics"		Application "Density"
	Application "Formulation / Net-Total"		Menu locked

While an application is running, the corresponding application icon appears at the top of the display.

Status Icons			
M	Indicates stored value (Memory)		Feedback for pressed keys
Net	Indicates Net weight values	W1	Weighing range 1 (Dual Range models only)
	Adjustments (calibration) started	W2	Weighing range 2 (Dual Range models only)
	Service reminder		

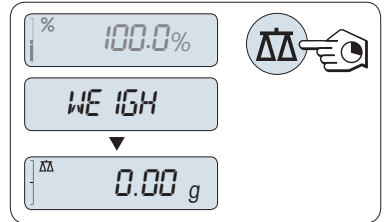
Weight Value Field and Weighing-in aid			
	Indicates negative values		Brackets to indicate uncertified digits (approved models only)
	Indicates unstable values		Marking of nominal or target weight
	Indicates calculated values		Marking of tolerance limit T+
			Marking of tolerance limit T-

Unit Field						
GNctls%bahtth msgPCStbdzrt kgmgm	g	gram	ozt	troy ounce	tls	Singapore taels
	kg	kilogram	GN	grain	ttf	Taiwan taels
	mg	milligram	dwt	pennyweight	tola	tola
	ct	carat	mom	momme	baht	baht
	lb	pound	msg	mesghal		
	oz	ounce	tlh	Hong Kong taels		

2.2 Basic principles for operation

Selecting simple weighing or terminate application

- Press and hold $\Delta\Delta$ until **WEIGH** appears on the display.
 - The balance returns to the simple weighing mode.

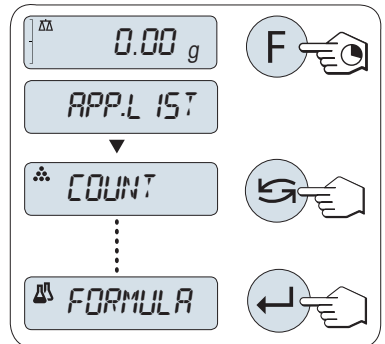


Note

How to perform simple weighing **see** Performing a simple weighing.

Selecting an application



- Press and hold **F** until **APP.LIST** (application list).
 - Last active application, e.g., **COUNT** appears on the display.
- Select an application by multiple pressing \curvearrowright .
- To execute selected application press \leftarrow .

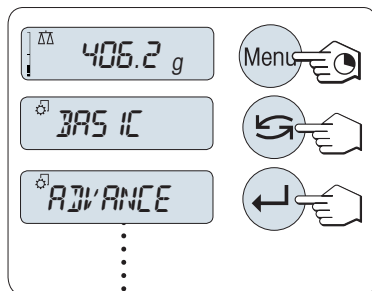


Available applications

Display	Remark	Description
COUNT	Piece counting	see Application "Piece Counting"
PERCENT	Percent weighing	see Application "Percent Weighing"
CHECK	Checkweighing	see Application "Check Weighing"
STAT	Statistics	see Application "Statistics"
FORMULA	Formulation / Net-Total	see Application "Formulation" (Net Total Formulation)
TOTAL	Totaling	see Application "Totaling"
DYNAMIC	Dynamic weighing	see Application "Dynamic Weighing"
FACTOR.M	Multiplication factor	see Application "Multiplication Factor Weighing"
FACTOR.D	Division factor	see Application "Division Factor Weighing"
DENSITY	Density	see Application "Density"

Entering the menu



- 1 Press and hold **Menu** to enter main menu.
⇒ The first menu **BASIC** is displayed (except menu protection is active).
- 2 Press  repeatedly to change menu.
- 3 Press  to confirm the selection.

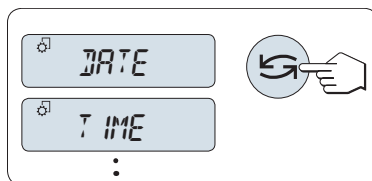


Note




Detailed description of the menu see The Menu.

Selecting menu topics

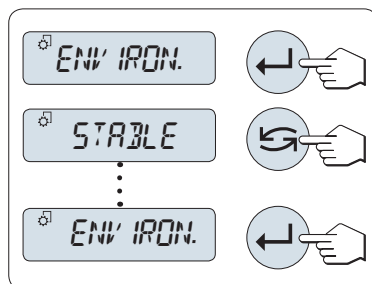
- 1 Press .
⇒ The next menu topic appears in the display.
- 2 Press  repeatedly, the balance switches to the next menu topic.



Changing settings in selected menu topic

- 1 Press .
⇒ The display shows the current setting in the selected menu topic.
- 2 Press  repeatedly, the balance switches to the next selection.
⇒ After the last selection, the first is shown again.
- 3 Press  to confirm the setting.




For store the setting see section **Saving settings and closing the menu**.

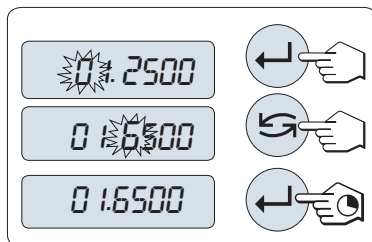


Changing settings in a submenu selection

The same procedure as for menu topics.

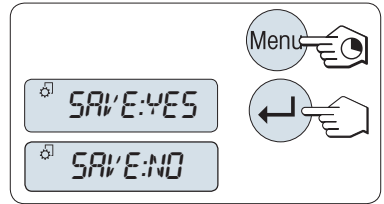
Input principle of numerical values

- 1 Press  to select a digit (cyclically from left to right) or a value (depending on the application).
⇒ The selected digit or the selected value is blinking.
- 2 Press  to increase or **F** to decrease for changing blinking digits or values.
- 3 Press and hold  to confirm the value.



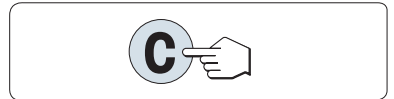
Saving settings and closing the menu

- 1 Press and hold **Menu** to leave menu topic.
⇒ **SAVE:YES** appears on the display.
- 2 Press **↔** to toggle between **SAVE:YES** and **SAVE:NO**.
- 3 Press **↵** to execute **SAVE:YES**.
⇒ Changes are saved.
- 4 Press **↵** to execute **SAVE:NO**.
⇒ Changes are not saved.



Cancel

- During menu operation
- 1 Press **C** for leaving menu topic or menu selection without saving (one step back in the menu).
 - 2 To leave menu topic or menu selection without saving press **C** (one step back in the menu).
- During application operation
- Press **C** to cancel settings.
⇒ The balance returns to the previous active application.



Note

If no entry is made within 30 seconds, the balance reverts to last active application mode. Changes are not saved. If changes are made, the balance asks **SAVE:NO**.

3 Installation and Putting into Operation

3.1 Selecting the location

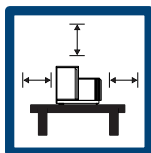
A balance is a sensitive precision instrument. The location where it is placed will have a profound effect on the accuracy of the weighing results.

Requirements of the location

According to the environmental condition, **see** chapter "General data".

Ensure that the instrument is:

- indoor on stable table
- with sufficient distance (> 15 cm)
- in level
- adequately lit



Avoid:

- direct sunlight
- vibrations
- strong drafts
- temperature fluctuations



3.2 Scope of delivery

Components		0.1 mg	1 mg	10 mg / 100 mg
Draft shield	high, 235 mm	✓	–	–
	low, 170 mm	–	✓	–
Weighing pan with pan support	∅ 90 mm	✓	–	–
	∅ 120 mm	–	✓	–
	180 × 180 mm	–	–	✓
Draft shield element		✓	–	✓
Pan support		–	–	✓
Protective cover		✓	✓	✓
Universal AC/DC adapter		✓	✓	✓
User Manual		✓	✓	✓
Declaration of conformity		✓	✓	✓

3.3 Unpacking

Open the balance packaging. Check the balance for transport damage. Immediately inform a METTLER TOLEDO representative in the event of complaints or missing accessories.

Retain all parts of the packaging. This packaging offers the best possible protection for transporting the balance.

3.4 Installing components



CAUTION

Injury due to breaking glass

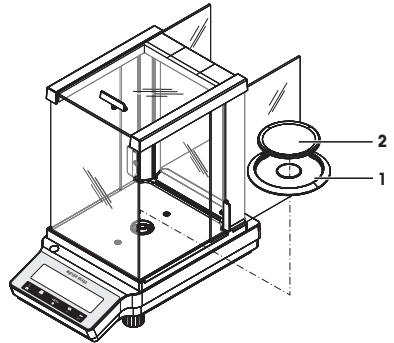
Careless handling with the glass components can lead to breakage off glass and damage cuttings.

- Always proceed focused and with care.

Balances with a readability of 0.1 mg with draft shield (235 mm)

Place the following components on the balance in the specified order:

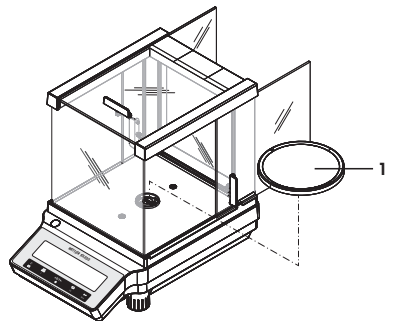
- Push the side glass doors back as far as they will go.
- 1 Place draft shield element (1).
 - 2 Place weighing pan (2).



Balances with a readability of 1 mg with draft shield (170 mm)

Place the following components on the balance in the specified order:

- Push the side glass doors back as far as they will go.
- 1 Push the side glass doors back as far as will go.
 - 2 Place weighing pan (1).




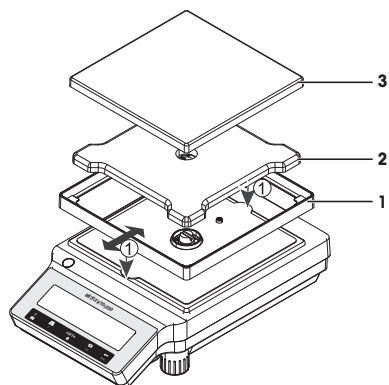
Balances with a readability of 10 mg / 100 mg

Place the following components on the balance in the specified order:

- 1 Place draft shield element (1): carefully pull apart the draft shield element to fix it under the retaining plate.
- 2 Insert pan support (2).
- 3 Place weighing pan (3).

See also

 Cleaning the glass draft shield ▶ Page 22



3.5 Installing protective cover



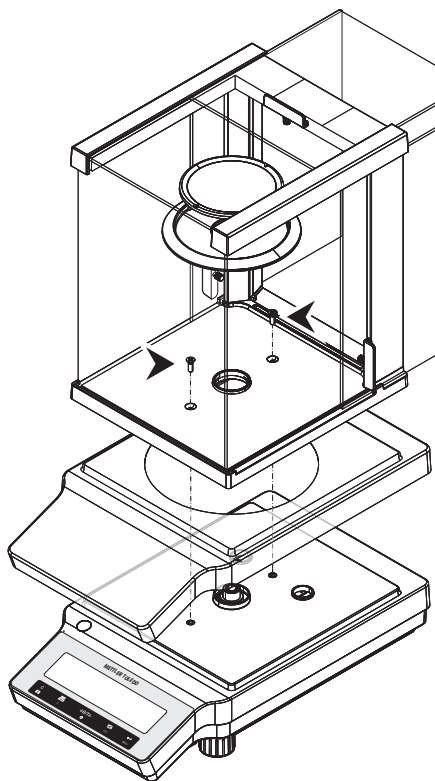
NOTICE

Damage to the instrument due to the use of unsuitable parts

- Using unsuitable parts with the instrument can damage the instrument or cause it to malfunction.
- Only use parts from METTLER TOLEDO that are intended to be used with your instrument.

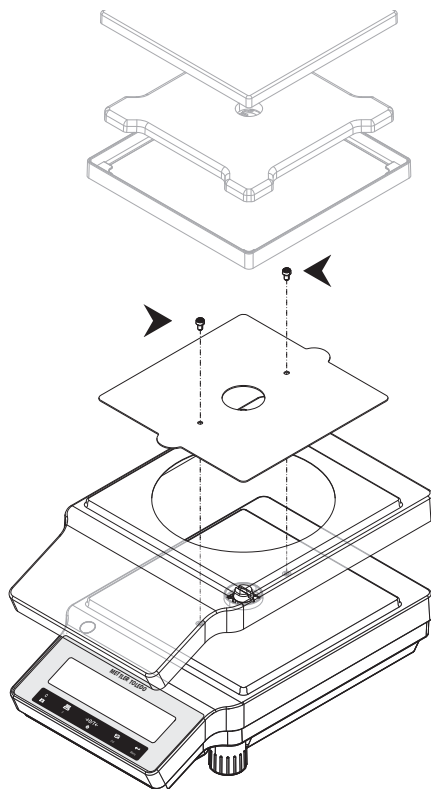
Balances with readability of 0.1 mg / 1 mg

Install the protective cover according to the illustrations below, using a screwdriver Philips No. 2.



Balances with readability of 10 mg / 100 mg

Install the protective cover according to the illustrations below, using a screwdriver Torx TX20.



3.6 Connecting the balance



WARNING

Death or serious injury due to electric shock

Contact with parts that carry a live current can lead to death or injury.

- 1 Only use the approved METTLER TOLEDO power supply cable and AC/DC adapter with a current-limited SELV output.
- 2 Connect the power cable to a grounded power outlet, ensure correct polarity.
- 3 Keep all electrical cables and connections away from liquids and moisture.
- 4 Check the cables and power plug for damage and replace damaged cables and power plugs.



NOTICE

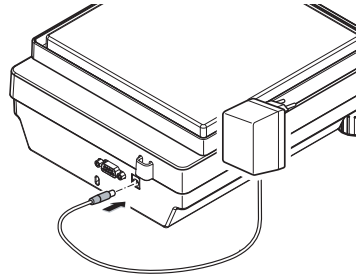
Damage to the AC/DC adapter due to overheating

If the AC/DC adapter is covered or in a container, it is not sufficiently cooled and will overheat.

- 1 Do not cover the AC/DC adapter.
- 2 Do not put the AC/DC adapter in a container.

The balance is supplied with an universal AC/DC adapter and a country-specific plug. The AC/DC adapter is suitable for use with the following voltage range: 100 – 240 V AC, 50/60 Hz.


- Install the cables so that they cannot be damaged or interfere with operation.
- Insert the power cable in power outlet that is easily accessible.
- Connect the AC/DC adapter to the connection socket on the back of your balance (see figure) and to the power line.
 - ⇒ The balance performs a display test (all segments in the display light up briefly), **WELCOME**, **Software version**, **Maximum load** and **Readability** appears briefly.
 - ⇒ The balance is ready for use.

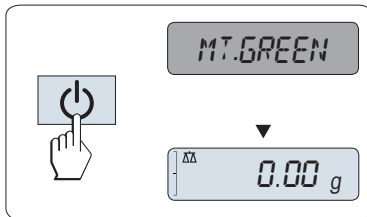


3.7 Setting up the balance


3.7.1 Switching on the balance

Before using the balance, it must be warmed up in order to obtain accurate weighing results. To reach operating temperature, the balance must be connected to the power supply for at least 30 minutes (60 minutes for 0.1 mg models).

- The balance is connected to the power supply.
- The balance is in **STANDBY** mode. **MT.GREEN** appears on the display.
- Press .
- ⇒ The balance is ready for weighing or for operation with the last active application.



Legal-for-trade

Approved balances can only be switched on by pressing  in selected countries.

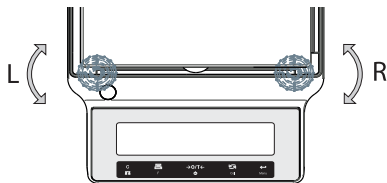
3.7.2 Leveling the balance

Exact horizontal and stable positioning are essential for repeatable and accurate weighing results.

There are two adjustable leveling feet to compensate for slight irregularities in the surface of the weighing bench.

The balance must be leveled and adjusted each time it is moved to a new location.

- 1 Position the balance at the selected location.
- 2 Align the balance horizontally.
- 3 Turning the two front leveling feet of the housing until the air bubble is in the middle of the glass.



Example

Air bubble at 12 o'clock:

turn both feet clockwise.

Air bubble at 3 o'clock:

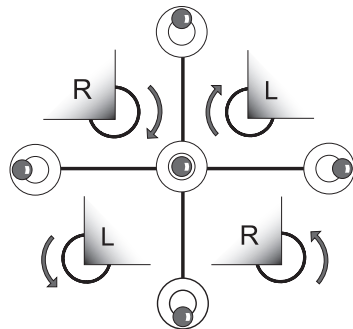
turn left foot clockwise, right foot counterclockwise.

Air bubble at 6 o'clock:

turn both feet counterclockwise.

Air bubble at 9 o'clock:

turn left foot counterclockwise, right foot clockwise.



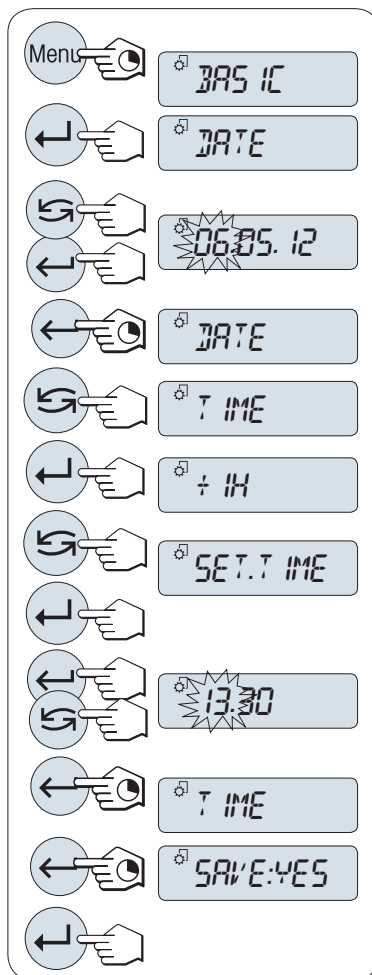
3.7.3 Setting date and time

When you put your new instrument into operation for the first time, you should enter the current date and time.

Note

- These settings are retained even if you disconnect your instrument from the power supply.
- A reset of the instrument will not change these settings.
- Set the current date according to the date format **DATE.FRM** in the menu **ADVANCE..**
- Set the current time according to the time format **TIME.FRM** in the menu **ADVANCE..**

- 1 Press and hold **Menu** until menu **BASIC** appears on the display.
- 2 Press **←** to open menu **BASIC**.
⇒ **DATE** appears.
- 3 Press **←** to confirm.
- 4 **Set current date.** Press **←** to select day, month or year; press **↻** to set current day, month or year.
- 5 Press and hold **←** to confirm the settings.
⇒ **DATE** appears..
- 6 **Set current time.** Press **↻** to select **TIME**.
- 7 Press **←** to confirm.
⇒ **+1H** appears.
- 8 Select **SET.TIME** by pressing **↻**.
- 9 Press **←** to confirm.
- 10 Press **←** to select hours or minutes; press **↻** to set current hours or minutes.
- 11 Press and hold **←** to confirm the settings.
⇒ **TIME** appears.
- 12 Press and hold **←** to store the settings.
⇒ **SAVE:YES** appears.
- 13 Press **←** to confirm.



3.7.4 Adjusting the balance

To obtain accurate weighing results, the balance must be adjusted to match the gravitational acceleration at its location. This is also dependent on the ambient conditions. After reaching the operating temperature, it is important to adjust the balance in the following cases:

- Before the balance is used for the first time.
- If the balance has been disconnected from the power supply or in the event of power failure.
- After significant environmental changes, e.g., temperature, humidity, air draft or vibrations.
- At regular intervals during weighing service.



For full information, always consult and download the Reference Manual (RM).

► www.mt.com/me-RM

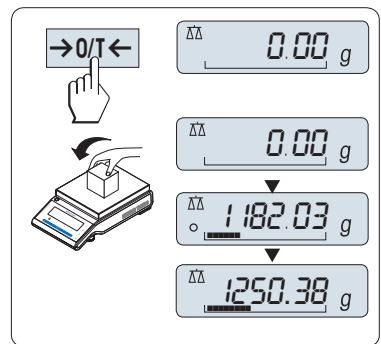
3.8 Performing a simple weighing



The weighing application allows you to perform simple weighings and how you can accelerate the weighing process.

If your balance is not in the weighing mode, press and hold the $\Delta\Delta$ key down until **WEIGHING** appears in the display. Release the key. Your balance is in the weighing mode and set to zero.

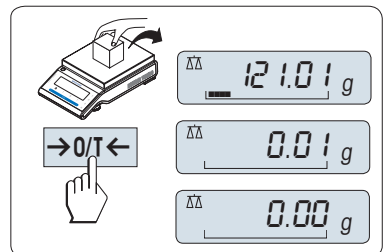
- 1 Press $\rightarrow 0/T \leftarrow$ to zero the balance.
- 2 Place weighing sample on the weighing pan.
- 3 Wait until the instability detector \circ disappears and the stability beep sounds.
- 4 Read the result.



Zeroing

Use the $\rightarrow 0/T \leftarrow$ zeroing key before you start with a weighing.

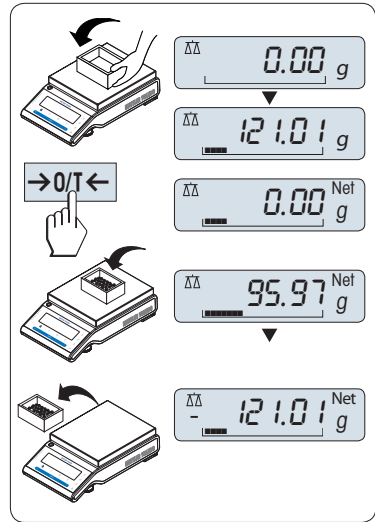
- 1 Unload the balance.
- 2 Press $\rightarrow 0/T \leftarrow$ to set the balance to zero.
All weight values are measured in relation to this zero point.



Taring

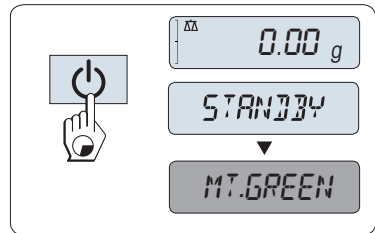
If you are working with a weighing container, first set the balance to zero.

- 1 Place empty container on the weighing pan.
 - ⇒ The weight is displayed.
- 2 Press **→0/T←** to set the balance to zero.
 - ⇒ **0.00 g** and **Net** appears in the display. **Net** indicates that all weight values displayed are net values.
- 3 Place weighing sample into the weighing container.
 - ⇒ The result appears in the display.
 - If the container is removed from the balance, the tare weight will be shown as a negative value.
 - The tare weight remains stored until the **→0/T←** key is pressed again or the balance is switched off.



Switching off

- Press and hold the **⏻** key until **STANDBY** appears on the display. Release the key.
- ⇒ **MT.GREEN** appears on the display.
- After switching on from standby mode, your balance needs no warm-up time and is immediately ready for weighing.
- To completely switch off the balance, disconnect it from the power supply.



Legal-for-trade

Standby mode is not possible with approved balances (only available in selected countries).



For full information, always consult and download the Reference Manual (RM).

► www.mt.com/me-RM

3.9 Transporting the balance



CAUTION

Injury due to breaking glass

Careless handling with the glass components can lead to breakage of glass and damage to cuttings.

- 1 Do not lift the instrument by the glass draft shield.
- 2 Always proceed focused and with care.

- 1 Press and hold the **⏻** key.
- 2 Disconnect the balance from the power supply.
- 3 Disconnect all interface cables.

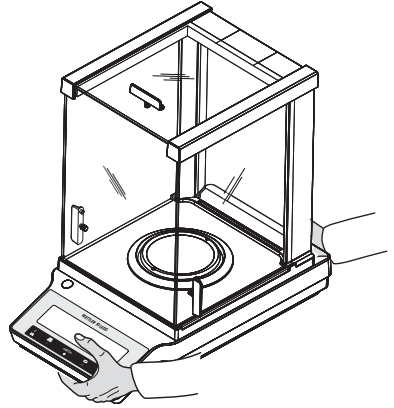
3.9.1 Transporting over short distances

To move the balance over a short distance to a new location, follow the instructions below.

- 1 Hold the balance with both hands as shown.
- 2 Carefully lift the balance and carry it to its new location.

If you want the balance put into operation, proceed as follows:

- 1 Connect in reverse order.
- 2 Level the balance.
- 3 Perform an internal adjustment.



3.9.2 Transporting over long distances

For transporting the balance over long distances, always using the original packaging.

3.9.3 Packaging and storage

Packaging

Store all parts of packaging in a safe place. The elements of the original packaging are developed specifically for the balance and its components to ensure maximum protection during transportation or storing.

Storage

Store the balance under following conditions:

- Indoor and in the original packaging.
- According to the environmental condition, **see** chapter "General data".
- When storing for longer than six months, the rechargeable battery maybe down (date and time get lost).

4 Maintenance

To guarantee the functionality of the balance and the accuracy of the weighing results, a number of maintenance actions must be performed by the user.

4.1 Maintenance table

Maintenance action	Recommended interval	Remarks
Performing an internal adjustment	<ul style="list-style-type: none">• Daily• After cleaning• After leveling• After changing the location	see chapter "Adjustment with internal weight"
Performing routine tests (sensitivity test, repeatability test). METTLER TOLEDO recommends to perform at least a sensitivity test.	<ul style="list-style-type: none">• After cleaning	see below
Cleaning	Depending on the degree of pollution or your internal regulations (SOP), clean the instrument: <ul style="list-style-type: none">• After every use• After change of sample	see chapter "Cleaning the balance"

4.2 Performing routine tests

There are several routine tests. Depending on your internal regulations, specific routine test must be performed by the user.

METTLER TOLEDO recommend to perform a sensitivity test after cleaning and reassembling the balance.



For full information, always consult and download the Reference Manual (RM).

► www.mt.com/me-RM

4.3 Cleaning



WARNING

Death or serious injury due to electric shock

Contact with parts carrying a live current can lead to injury and death.

- 1 Disconnect the instrument from the power supply prior to cleaning and maintenance.
- 2 Prevent liquid from entering the instrument, terminal or AC/DC adapter.

4.3.1 Cleaning the glass draft shield



CAUTION

Injury due to breaking glass

Careless handling with the glass components can lead to breakage of glass and damage cuttings.

- Always proceed focused and with care.

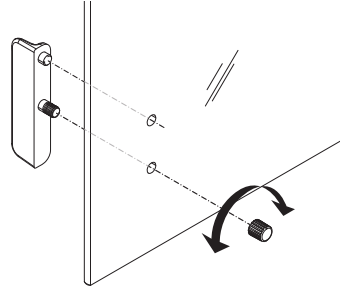
Removing or inserting sliding glass doors

It is possible to remove the sliding glass doors for cleaning or for replacing.

Note

Front and rear glass panels cannot be removed.

- 1 Remove the handle first.
- 2 Remove the sliding glass doors.
- 3 Install the handle after insertion of the glass door.



4.3.2 Cleaning the balance



NOTICE

Damage due to improper cleaning

Improper cleaning can damage the weighing cell or other essential parts.

- 1 Do not use any cleaning agents other than the ones specified in the Reference Manual or Cleaning Guide.
- 2 Do not spray or pour liquids on the instrument. Always use a moistened lint-free cloth or a tissue.
- 3 Always wipe out from inside to outside of the instrument.

Protective equipment:

- Gloves
- Goggles

The following procedures describe the cleaning of the weighing pan and all components.

Around the balance

- Remove any dirt or dust around the balance and avoid further contaminations.

Cleaning the balance

- 1 Use a lint-free cloth moistened with a mild cleaning agent to clean the surface of the balance.
- 2 Remove powder or dust at first with a disposable tissue.
- 3 Remove sticky substances with a damp lint-free cloth and a mild solvent, e.g., isopropanol or ethanol 70%.


Cleaning all removable parts

- Clean all removed part with a damp cloth or a tissue and a mild cleaning agent or clean them in a dishwasher up to 80 °C.

Note


Useful details to avoid soiling are described in the METTLER TOLEDO "SOP for Cleaning a Balance".

4.3.3 Putting into operation after cleaning

- 1 Reassemble the balance.
- 2 Check the functionality of the draft shield.
- 3 Press  to switch on the balance.
- 4 Warm up the balance. Wait 1h for the acclimatization, before starting the tests.
- 5 Check the level status, level the balance if necessary.
- 6 Perform an internal adjustment.

- 7 Perform a routine test due to the internal regulations of your company. METTLER TOLEDO recommends to perform a repeatability test after cleaning the balance.
 - 8 Press **→0/T←** to zero the balance.
- ⇒ The balance has been putting into operation and is ready to use.

See also

 Leveling the balance ▶ Page 17

5 Troubleshooting

Possible causes for faults and fault correction tasks are described in the following chapters. If there are faults that cannot be corrected through the instructions below, contact the METTLER TOLEDO.

5.1 Error messages

Error message	Possible cause	Diagnostic	Remedy
NO STABILITY	Vibrations at the workplace.	Place beaker with tap water on the weighing table. Vibrations cause ripples on the water surface.	<ul style="list-style-type: none"> Protect weighing location against vibrations (vibration absorber, etc.). Set weighing parameters coarser (change ENVIRON. from STABLE to STANDARD or even UNSTABLE). Find a different weighing location (by agreement with customer).
	Draft due to untight draft shield and /or open window.	Make sure draft shield or window is closed.	<ul style="list-style-type: none"> Close draft shield or window. Set weighing parameters coarser (change ENVIRON. from STABLE to STANDARD or even UNSTABLE).
	The location is not suitable for weighing.	–	Check and observe the requirements for the location, refer to the "Selecting the location" chapter.
	Something is touching the weighing pan.	Check for touching parts or dirt.	Remove touching parts or clean the balance.
WRONG ADJUSTMENT WEIGHT	Wrong adjustment weight.	Check weight.	Place correct weight on the weighing pan.
REFERENCE TOO SMALL	Reference for piece counting too small.	–	Increase reference weight.
EEPROM ERROR - PLEASE CONTACT CUSTOMER SERVICE	Data in EEPROM damaged.	–	Please contact your METTLER TOLEDO-Support representative.
WRONG CELL DATA - PLEASE CONTACT CUSTOMER SERVICE	Defect load cell data.	–	Please contact your METTLER TOLEDO-Support representative.
NO STANDARD ADJUSTMENT - PLEASE CONTACT CUSTOMER SERVICE	–	–	Please contact your METTLER TOLEDO-Support representative.
PROGRAM MEMORY DEFECT - PLEASE CONTACT CUSTOMER SERVICE	–	–	Please contact your METTLER TOLEDO-Support representative.

Error message	Possible cause	Diagnostic	Remedy
TEMP SENSOR DEFECT - PLEASE CONTACT CUSTOMER SERVICE	Temperature sensor of load cell defect.	–	Please contact your METTLER TOLEDO-Support representative.
WRONG LOAD CELL BRAND - PLEASE CONTACT CUSTOMER SERVICE	Wrong load cell installed.	–	Please contact your METTLER TOLEDO-Support representative.
WRONG TYPE DATA SET - PLEASE CONTACT CUSTOMER SERVICE	Wrong type data set.	–	Please contact your METTLER TOLEDO-Support representative.
Battery backup lost	Backup battery is empty. This battery ensures that the date and time are not lost when the balance is disconnected from power.	Connect the balance to the power supply for charging the battery (full capacity after 2 days of charging).	Battery must be recharged. Please contact METTLER TOLEDO-Support representative.
ABOVE INITIAL ZERO RANGE	Wrong weighing pan. Pan is not empty.	Check weighing pan.	Mount correct weighing pan or unload weighing pan.
BELOW INITIAL ZERO RANGE	Wrong weighing pan. Pan is missing.	Check weighing pan.	Mount correct weighing pan.
MEM FULL	Memory full.	–	Clear the memory by finishing all applications where a measurement is ongoing.
FACTOR OUT OF RANGE	Factor is outside the allow range.	–	Select a new factor.
STEP OUT OF RANGE	Step is outside the allow range.	–	Select a new step.
OUT OF RANGE	Sample weight is outside the allow range.	–	Unload the pan and load a new sample weight.

5.2 Error symptoms


Error symptoms	Possible cause	Diagnostic	Remedy
Display is dark	Instrument is switched off.	–	Switch on the instrument.
	Power plug not connected.	Check	Connect power cable to power supply.
	Power supply not connected to balance.	Check	Connect power supply.
	Power supply is faulty.	Check/test	Replace power supply.
	Wrong power supply.	Check that input data on type plate match the power supply values.	Use proper power supply.
	Connector socket on balance is corroded or faulty.	Check	Please contact your METTLER TOLEDO-Support representative.
	Display is faulty.	Replace display.	Please contact your METTLER TOLEDO-Support representative.
Operation Keys do not work	Keypad is defect.	Replace the keypad.	Please contact your METTLER TOLEDO-Support representative.

Error symptoms	Possible cause	Diagnostic	Remedy
The value drifts into plus or minus	Room, environment not suitable.	–	Environmental recommendations <ul style="list-style-type: none"> • Windowless, non air-conditioned room, e.g., basement. • Only one person in the weighing room. • Sliding doors. Standard doors cause pressure changes. • No draft in weighing room (check with suspended threads). • No air conditioning (temperature oscillates, draft). • Acclimatize balance, take dummy measurements. • Instrument uninterruptedly connected to the power supply (24h per day).
	Direct sunlight or other heat source.	Is any sun shade (blinds, curtains, etc.) available?	Select location according to chapter "Selecting the location" (customer responsibility).
	Weighing sample absorbs moisture or evaporates moisture.	<ul style="list-style-type: none"> • Is the weighing result with a test weight stable? • Sensitive weighing samples e.g. paper, cardboard, wood, plastic, rubber, liquids. 	<ul style="list-style-type: none"> • Use aids. • Cover weighing sample.
	Weighing sample is electrostatically charged.	<ul style="list-style-type: none"> • Is the weighing result with a test weight stable? • Sensitive weighing samples e.g. plastic, powder, insulating materials. 	<ul style="list-style-type: none"> • Increase air humidity in weighing chamber (45% - 50%). • Use ionizer.
The value drifts into plus or minus (Continuation)	Weighing sample is hotter or colder than the air in the weighing chamber.	Weighing operation with test weight does not show this effect.	Bring weighing sample to room temperature before weighing.
	Instrument has not yet reached thermal equilibrium.	<ul style="list-style-type: none"> • Was there a power outage? • Was power supply disconnected? 	<ul style="list-style-type: none"> • Acclimatize instrument for at least 1 hour. Depending on climatic conditions, extend this period accordingly. • Instrument switched on for at least 1 hour, refer to the "General data" chapter.

Error symptoms	Possible cause	Diagnostic	Remedy
Display shows overload or underload	The weight on the weighing pan exceeds the weighing capacity of the instrument.	Check weight.	Reduce the weight on the weighing pan.
	Wrong weighing pan.	Slightly lift or press weighing pan. The weight display appears.	Use proper weighing pan.
	No weighing pan.	–	Install weighing pan.
	Incorrect zero point at switch-on.	–	<ul style="list-style-type: none"> Switch off balance. Disconnect and reconnect power cable.
Display flashes 0.0000	Loose cables.	Check all cable connections.	Connect all cables. Please contact your METTLER TOLEDO-Support representative if the problem persists.
Taring not possible	Vibrations at the workplace.	<p>Display unstable.</p> <p>Place beaker with tap water on the weighing table. Vibrations cause ripples on the water surface.</p>	<p>Press Tare again.</p> <ul style="list-style-type: none"> Protect weighing location against vibrations (vibration absorber, etc.). Set weighing parameters coarser (change ENVIRON. from STABLE to STANDARD or even UNSTABLE). Find a different weighing location (by agreement with customer).

5.3 Status messages/Status icons

Status messages are displayed by means of small icons. The status icons indicate the following:

Icon	Status description	Diagnostic	Remedy
	Service due.	See menu topic SERV.ICON in chapter "Description of menu topic" -> "Advanced menu".	Please contact your METTLER TOLEDO-Support representative.

5.4 Putting into operation after correction of fault

After correcting the fault, perform the following steps to put the balance into operation:

- Ensure that the balance is completely reassembled and cleaned.
- Reconnect the balance to the power supply.

6 Technical Data

6.1 General data

Standard power supply

AC/DC adapter:

Primary: 100 - 240 V~ 0.5 A, 50 – 60 Hz
Secondary: 12 V 1 A MAX 23 - 34 VA LPS

Balance power consumption:

12 V DC, 0.3 A

If the balance is used above 2000 m mean sea level, the optional power supply must be used

Optional power supply


AC/DC adapter:

Primary: 100 - 240 V~ 0.8 A, 50 – 60 Hz 60 - 80 VA
Secondary: 12 V DC, 2.5 A LPS (with electronic overload protection)

Cable for AC/DC adapter:

3-core, with country-specific plug

Polarity:

 with a current limited SELV (Safety Extra Low Voltage) output

Protection and standards

Overvoltage category:

II

Degree of pollution:

2

Protection:

Protected against dust and water

Standards for safety and EMC:

See Declaration of Conformity

Range of application:

For use in closed interior rooms only

Environmental conditions

Height above mean sea level:

Up to 2000 m (Standard power supply)

Height above mean sea level:

Up to 4000 m (Optional power supply)

Ambient temperature:

5 - 40 °C

Storage condition:

-25 to 70 °C

Relative air humidity:

Max. 80% up to 31 °C, linearly decreasing to 50% at 40 °C, noncondensing

Warm-up time:

At least **30** minutes (0.1 mg models **60** minutes) after connecting the balance to the power supply

Materials

Housing:	Top housing: Plastic (ABS) Bottom housing: Die-cast aluminum, lacquered
Weighing pan:	Pan \varnothing 90 mm: Stainless steel X2CrNiMo 17-12-2 (1.4404) All others: Stainless steel X5CrNi 18-10 (1.4301)
Draft shield element:	0.1 mg models: Stainless steel X5CrNi 18-10 (1.4301)
Draft shield:	Plastic (ABS), glass
Protective cover:	Plastic (PET)

7 Disposal

In conformance with the European Directive 2012/19/EU on Waste Electrical and Electronic Equipment (WEEE) this device may not be disposed of in domestic waste. This also applies to countries outside the EU, per their specific requirements.



Please dispose of this product in accordance with local regulations at the collecting point specified for electrical and electronic equipment. If you have any questions, please contact the responsible authority or the distributor from which you purchased this device. Should this device be passed on to other parties, the content of this regulation must also be related.

GWP®

Good Weighing Practice™

GWP® is the global weighing standard, ensuring consistent accuracy of weighing processes, applicable to all equipment from any manufacturer. It helps to:

- Choose the appropriate balance or scale
- Calibrate and operate your weighing equipment with security
- Comply with quality and compliance standards in laboratory and manufacturing

 www.mt.com/GWP

www.mt.com/balances

For more information

Mettler-Toledo GmbH

Im Langacher 44
8606 Greifensee, Switzerland
www.mt.com/contact

Subject to technical changes.
© Mettler-Toledo GmbH 11/2018
30348473E en



30348473