

Minimum Sample Sizes for Maximum Savings



SmartGrid micro

The innovative grid weighing pan, for faster and more secure weighing. The unique grid weighing pan - in perfect combination with the inner draft shield - successfully minimizes the effects of air turbulence in the weighing chamber, which dramatically shortens stabilization times. Spilled sample remains in the tray underneath and therefore doesn't affect the weighing result. The cleaning of the balance is as easy as can be and cross contamination is reduced to a minimum.



MinWeigh Door micro

The MinWeigh Door micro allows dosing through a small window, directly into the tare container, without opening the draft shield. Thanks to less turbulence in the weighing chamber, stable results can be achieved in no time and the minimum sample weight can be reduced even further.



ErgoClips micro

The ErgoClips micro allow secure fastening of small and odd-shaped tare containers for ergonomic weighing. Your daily weighing routine becomes faster and easier. Dosing of small amounts of precious sample directly into the desired vessel means minor loss, lower disposal costs and higher productivity.



Automatic Dual Draft Shield

Excellence Plus XP micro balances are equipped with an automatic dual draft shield - the outer draft shield doors opens horizontally, and the inner draft shield vertically. Both are individually configurable. This not only allows easier access to the weighing pan, but also reduces air turbulence to a minimum and realizes much faster stabilization times.



Excellence Plus XP Micro High-performance micro balances

METTLER TOLEDO is changing the world of micro balances. Excellence XP micro balances are especially qualified for micro-dosing directly into large tare containers. Sample transfer errors can thus be avoided resulting in significant cost savings, particularly for valuable materials.

SmartGrid micro, SmartSens and SmartScreen - three innovations combined in one balance - ensuring comprehensive weighing security. Together with the inner draftshield they provide optimal user protection, unprecedented measurement performance, full data security and seamless traceability. Built-in warning systems visually and audibly alert the user, for instance, when the balance is not leveled or the minimum weight is not achieved. The risk of reporting invalid results is therefore significantly reduced. Quick adjustments can be made to maximize uptime and always ensure accurate results.

The bottom line:

- Significant cost savings due to lowest minimum sample weights (acc. USP)
- Optimal user safety
- Secure results

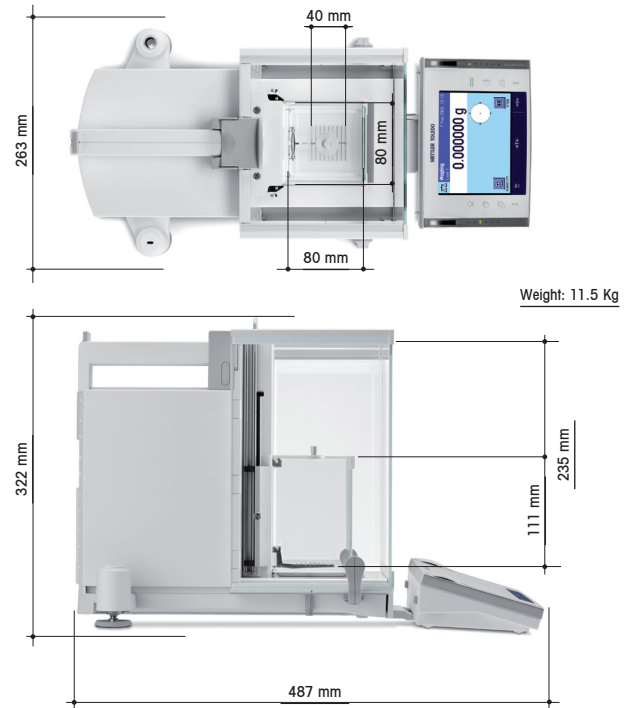
Technical data

Excellence Plus XP

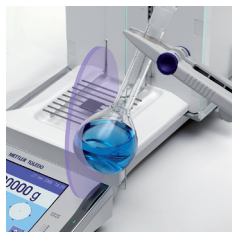
High-performance micro balances

Standard equipment

- SmartSens sensor for handsfree operation
- SmartGrid micro grid weighing pan for fast and stable results
- SmartScreen color touchscreen display for comfortable and secure operation
- ErgoClip Basket micro for different tare containers for efficient weighing
- MinWeigh warns if the minimum weight is not reached (minimum weight determined on-site by service technician)
- UserManagement for the assignment of access rights
- LevelControl warns you when the balance is not leveled
- BalanceCheck prompts automatically for validation with external weights
- proFACT fully automatic time- and / or temperature-controlled internal adjustment and linearization
- Seven different applications with user guidance (including statistical evaluation, differential weighing and formula weighing)
- Individual reports can be defined with up to 4 IDs
- Built-in RS232 interface and two auxiliary outlets
- Slot for second interface (7 options), including Bluetooth and Ethernet
- Motorized outer and inner draft shield doors
- Completely dismantlable inner and outer draft shields for easy cleaning
- Terminal can be placed away from the balance
- Protective cover for the terminal
- Production certificate



Security knows no alternative



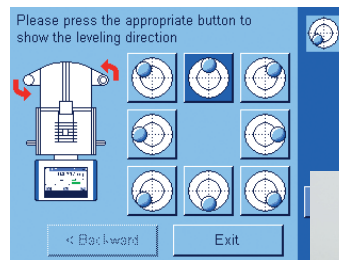
SmartSens

increases user safety. The programmable infrared sensors allow handsfree operation of the balance. With complete focus on the sample, you can weigh valuable or toxic substances safely and without spilling.



SmartScreen

guarantees complete control. The color touchscreen display offers individual profiles and access rights for up to eight users. The result: highest data security and full regulatory compliance.



Level Control

Whenever your balance is not leveled, the XP sends a warning signal and proposes corrective action in the display - guaranteeing always accurate results.



| Balance model | XP26 | XP26DR | XP56 | XP56DR |
|--|------------------------------|------------------------------|------------------------------|------------------------------|
| Maximum capacity | 22g | 22g | 52g | 52g |
| Maximum capacity, fine range | - | 5.1g | - | 11g |
| Readability | 0.001mg | 0.01mg | 0.001mg | 0.01mg |
| Readability, fine range | - | 0.002mg | - | 0.002mg |
| Repeatability – at nominal load (measures at) | 0.0025mg (20g) | 0.008mg (20g) | 0.006mg (50g) | 0.014mg (50g) |
| – at low load (measures at) | 0.0015mg (1g) | 0.005mg (1g) | 0.0015mg (1g) | 0.006mg (1g) |
| – at low load (measures at), fine range | - | 0.002mg (1g) | - | 0.002mg |
| Linearity | 0.006mg | 0.01mg | 0.02mg | 0.03mg |
| Eccentric load deviation (test load) ¹⁾ | 0.02mg (10g) | 0.025mg (10g) | 0.03mg (20g) | 0.035mg (20g) |
| Sensitivity offset | 4x10 ⁻⁶ • Rnt | 5x10 ⁻⁶ • Rnt | 2.5x10 ⁻⁶ • Rnt | 3x10 ⁻⁶ • Rnt |
| Sensitivity temperature drift ²⁾ | 1x10 ⁻⁶ /°C • Rnt | 1x10 ⁻⁶ /°C • Rnt | 1x10 ⁻⁶ /°C • Rnt | 1x10 ⁻⁶ /°C • Rnt |
| Sensitivity stability ³⁾ | 1x10 ⁻⁶ /a • Rnt | 1x10 ⁻⁶ /a • Rnt | 1x10 ⁻⁶ /a • Rnt | 1x10 ⁻⁶ /a • Rnt |
| Stabilization time (coarse/fine range) | 3.5s | 2.5s/3.5s | 3.5s | 2.5s/3.5s |

¹⁾ According to OIML R76

²⁾ In temperature range from 10...30°C

³⁾ Stability of sensitivity as from first installation with proFACT

s: seconds

a: year (annum)

Accessories

| | |
|--|----------|
| ErgoClip Flask micro | 11107879 |
| MinWeigh Door micro | 11107869 |
| ErgoClip Basket micro | 11107889 |
| Integrable Antistatic-kit | 11107761 |
| ErgoSens sensor for balance functions | 11132601 |
| RS-P42 printer with RS232 connection | 229265 |
| BT-P42 printer with wireless Bluetooth connection | 11132540 |
| Stand for printer | 11106730 |
| Foot-operated switch for balance functions | 11106741 |
| SE-Kit XP-A Separate electronic evaluation equipment | 11106743 |
| RS232 C (interface) | 11132500 |
| Bluetooth BTS single-point (interface) | 11132535 |
| Bluetooth BT multi-point (interface) | 11132530 |
| Ethernet (interface) | 11132515 |
| PS2 keyboard connection (interface) | 11132520 |
| LocalCAN (interface) | 11132505 |
| Terminal extension cable 4.5 m | 11600517 |
| RS9-RS9 (m/f) cable, 1 m | 11101051 |
| LC-RS9 cable for LocalCAN | 229065 |



Quality certificate ISO9001
 Environment certificate ISO14001
 Internet: <http://www.mt.com>
 Worldwide service network

Subject to technical changes
 ©04/2006 Mettler-Toledo GmbH
 Printed in Switzerland 11795644
 MCG MarCom Greifensee

For more information visit
www.mt.com/micro