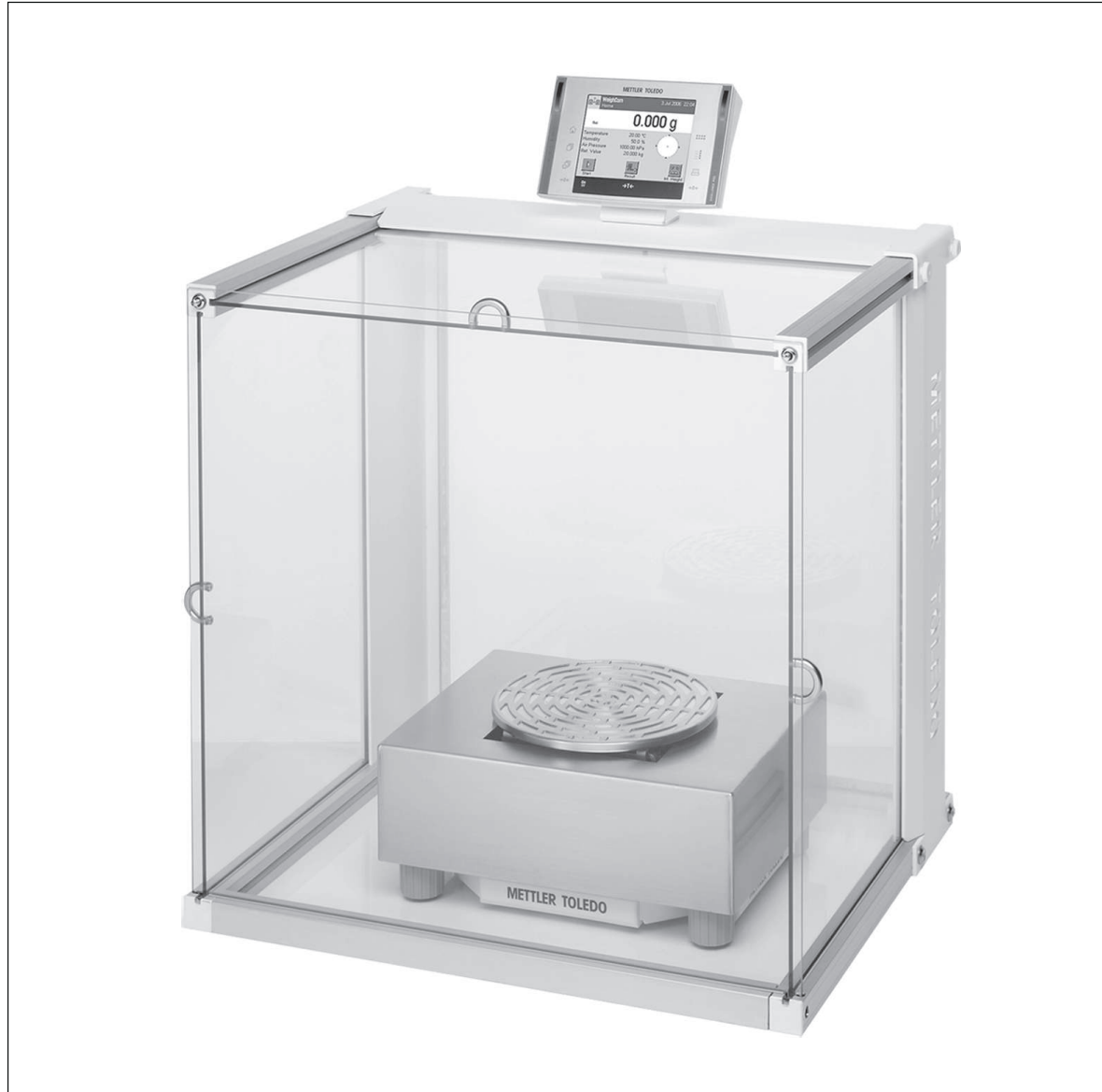


Excellence Comparator Balances

XP-L Models – Part 1



METTLER TOLEDO

Table of Contents

1	Introduction		5
	1.1	Symbols and presentations used	6
2	Safety Information		7
	2.1	Definition of signal warnings and symbols	7
	2.2	Product specific safety notes	7
3	Overview XP-L Comparators		9
	3.1	Overview XP32003L/XP64002L	9
	3.2	Overview XP26003L/XP64003L with Levelmatic	11
4	Installation and Putting into Operation		13
	4.1	Unpacking and checking the standard equipment	13
	4.2	Scope of delivery	13
	4.3	Location	13
	4.4	Assembling the balance	14
	4.4.1	Placing the terminal on the weighing platform	14
	4.4.2	Removing/inserting the transport arrestments	15
	4.4.3	Freestanding terminal installation	16
	4.4.4	Installation of the standard weighing pan	16
	4.4.5	Installing the Levelmatic	17
	4.5	Connecting the balance	17
	4.6	Setting up the terminal separately (XP32003L and XP64002L)	18
	4.7	Setting the reading angle	18
	4.8	Transporting the balance	19
	4.8.1	Transporting over short distances	19
	4.8.2	Transporting Over Long Distances	19
	4.9	Below-the-balance weighing	19
5	First Steps		21
	5.1	Switching On / Off	21
	5.2	Leveling the balance	21
6	Special Settings for XP-L Comparators		24
	6.1	Load the balance	24
	6.2	Settings for the balances	24
	6.2.1	System settings	24
	6.2.2	User-specific settings	26
7	The WeighCom Application		28
	7.1	Introduction to the WeighCom application	28
	7.2	Selecting the application	28
8	Maintenance		29
	8.1	Cleaning	29
	8.2	Disposal	29
9	Technical Data		30
	9.1	General data	30

	9.2	Model-specif data	30
	9.3	Dimensions	33
	9.3.1	Dimensions XP32003L and XP64002L	33
	9.3.2	Dimensions XP26003L and XP64003L	34
	9.3.3	Dimensions draff shield XP-W64	35
	9.4	Interfaces	36
	9.4.1	Specifications of RS232C	36
	9.4.2	Specifications of "Aux" connection	36
10	Accessories and Spare Parts		37
	10.1	Accessories	37
	10.2	Spare parts	42
11	Appendix		44
	11.1	MT-SICS interface commands and functions	44
	Index		45

1 Introduction

Thank you for choosing a METTLER TOLEDO balance.

In this chapter you will be given basic information about your balance. Please read right through this chapter carefully even if you already have experience with METTLER TOLEDO balances. Please pay special attention to the safety warnings!

The different models have different characteristics regarding equipment and performance. Special notes in the text indicate where this makes a difference to operation.

The XP line comprises a range of balances which differ from each other in relation to their weighing range and resolution.

The following features are common to all models of the XP lines:

- Fully automatic adjustment "ProFACT" using internal weights.
- Built-in level sensor, illuminated level indicator and Leveling Assistant for fast and easy leveling.
- Built-in applications for WeighCom, normal weighing, statistics, formulation, piece counting, percent weighing, density, differential weighing, and LabX Client.
- Integral RS232C interface.
- Slot for second interface (optional).
- Touch-sensitive graphics terminal ("Touch screen") with color display.
- Two programmable sensors for hands-off operation ("SmartSens") to speed up frequently recurring tasks.

A brief word about standards, guidelines, and methods of quality assurance: The balances comply with usual standards and guidelines. They support standard procedures, specifications, working methods, and reports according to **GLP (Good Laboratory Practice)**. In this connection, records of working procedures and adjustments become very important; for this purpose we recommend you to use a printer from the METTLER TOLEDO range, since these are optimally adapted to your balance. The balances conform to the applicable standards and guidelines and possess a EC declaration of conformity. METTLER TOLEDO is certified as manufacturer according to ISO 9001 and ISO 14001.

The operating instructions for the XP balances consist of 4 separate documents, whose contents are listed below.

Part 1, this document

Contents

- Introduction
- Safety Information
- Installation and Putting into Operation
- Leveling the Balance
- Special Settings for XP-L Comparators
- Introduction to the "WeighCom" Application
- Cleaning and Service
- Technical Data
- Accessories
- Spare Parts
- Interface Commands and MT-SICS Functions

Part 2, separate document

Contents: Terminal, System, and Applications

- Basic Principles for Using the Terminal and the Firmware
- System Settings
- User-specific Settings

- Applications
- Firmware (Software) Updates
- Error and Status Messages
- Conversion Table for Weight Units
- Recommended Printer Settings

Part 3, separate document

Contents: Adjustments, and Tests

- Adjustments
- Tests

Operating Instructions "WeighCom Application for XP Comparator Balances"

When working with the [WeighCom] application, use the operating instructions "WeighCom Application for XP Comparator Balances" that were included with the delivery.

Finding more information

► www.mt.com/excellence

Firmware version

The operating instructions are based on the initially installed terminal firmware (software) version V 3.20.

1.1 Symbols and presentations used

The following conventions apply to the operating instructions: part 1, part 2, part 3 and WeighCom application for XP comparator balances.

Key designations are indicated by a picture or text in double angular parentheses (e.g. «» or «On/Off»).



This symbol indicates press key briefly (less than 1.5 s).



This symbol indicates press and hold key down (longer than 1.5 s).

These symbols indicate an instruction:

- prerequisites
- 1 steps
- 2 ...
- ⇒ results

2 Safety Information

2.1 Definition of signal warnings and symbols

Safety notes are marked with signal words and warning symbols. These show safety issues and warnings. Ignoring the safety notes may lead to personal injury, damage to the balance, malfunctions and false results.

Signal words

WARNING	for a hazardous situation with medium risk, possibly resulting in severe injuries or death if not avoided.
CAUTION	for a hazardous situation with low risk, resulting in damage to the device or the property or in loss of data or minor or medium injuries if not avoided.
Attention	(no symbol) for important information about the product.
Note	(no symbol) for useful information about the product.

Warning symbols



General hazard



Electrical shock



Heavy object

Mandatory safety signs



Wear gloves

2.2 Product specific safety notes

Intended use

Your balance is used for weighing. Use the balance exclusively for this purpose. Any other type of use and operation beyond the limits of technical specifications without written consent from Mettler-Toledo AG, is considered as not intended.



It is not permitted to use the instrument in explosive atmosphere of gases, steam, fog, dust and flammable dust (hazardous environments).

General safety information

Your instrument meets the state of the art technology and complies with all recognized safety rules, however, certain hazards may arise in extraneous circumstances. Do not open the housing of the instrument: It does not contain any parts which can be maintained, repaired or replaced by the user. If you ever have problems with your instrument, contact your authorized METTLER TOLEDO dealer or service representative.

Always operate and use your balance only in accordance with the operating instructions part 1, part 2, part 3 and WeighCom application for XP comparator balances.

The instructions for setting up your new balance must be strictly observed.

If the instrument is not used according to the manufacturer's operating instructions (part 1, part 2, part 3 and WeighCom application for XP comparator balances), protection of the instrument may be impaired.

Staff safety

In order to use the instrument, you must have read and understood the operating instructions. Keep the operating instructions for further reference.

Never make any modifications to the instrument and use only original spare parts and optional equipment from METTLER TOLEDO.

Safety notes



WARNING

Risk of electric shock

Use only the original universal AC adapter delivered with your balance, and check that the voltage printed on it is the same as your local power supply voltage. Only plug the adapter into a socket which is grounded.



WARNING

Heavy object

- Single person lift could cause injury.
 - Do not move or lift this equipment without assistance.
 - For moving this equipment ask your METTLER TOLEDO representative.
-



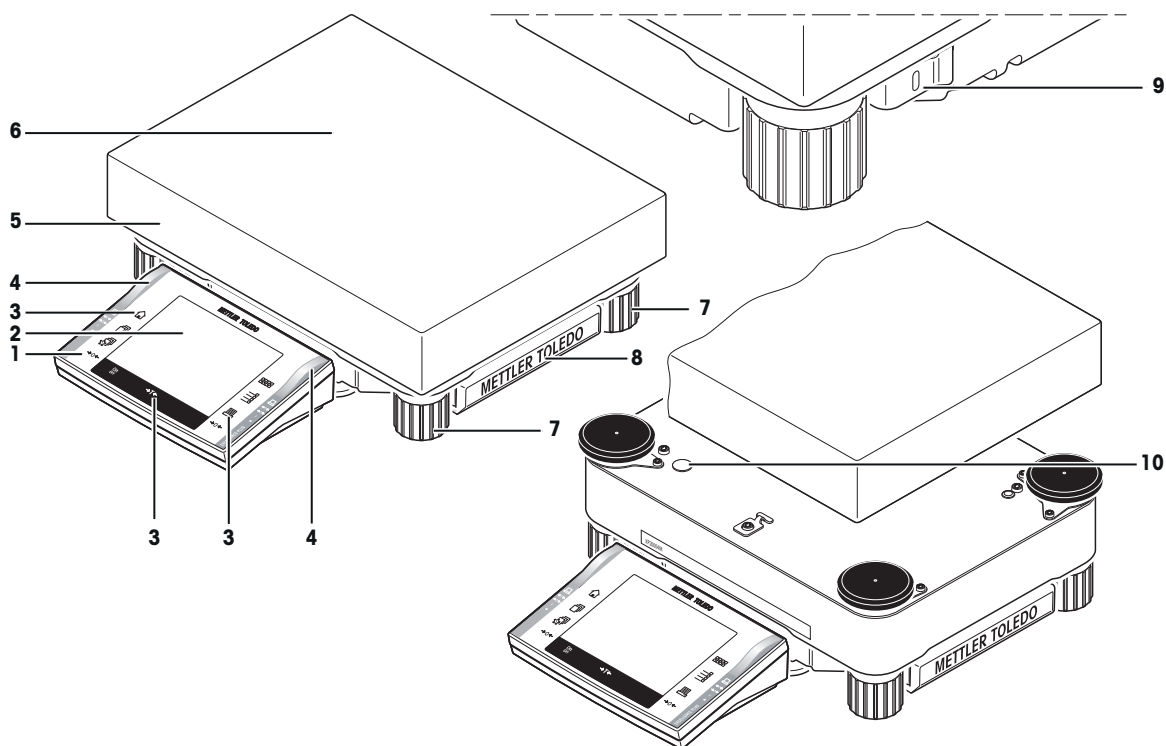
CAUTION

Damage of device

- For use only in dry interior rooms.
 - Do not use sharply pointed objects to operate the keyboard! Although your balance is very ruggedly constructed, it is nevertheless a precision instrument. Treat it with corresponding care.
 - Do not open the balance: It does not contain any parts which can be maintained, repaired, or replaced by the user. If you ever have problems with your balance, contact your METTLER TOLEDO dealer.
 - Use only balance accessories and peripheral devices from METTLER TOLEDO; they are optimally adapted to your balance.
-

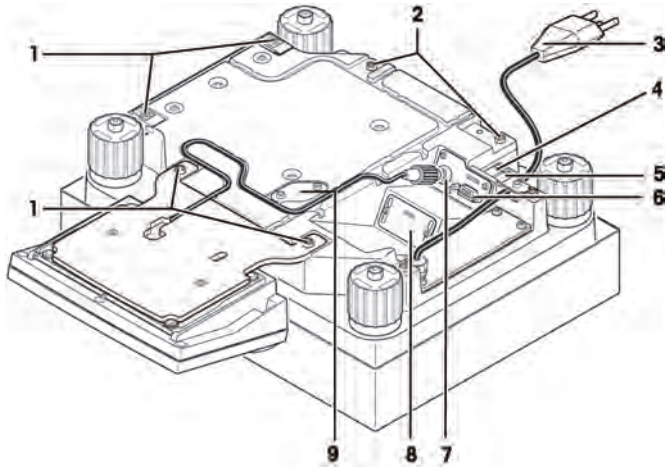
3 Overview XP-L Comparators

3.1 Overview XP32003L/XP64002L



Top View XP32003L/XP64002L

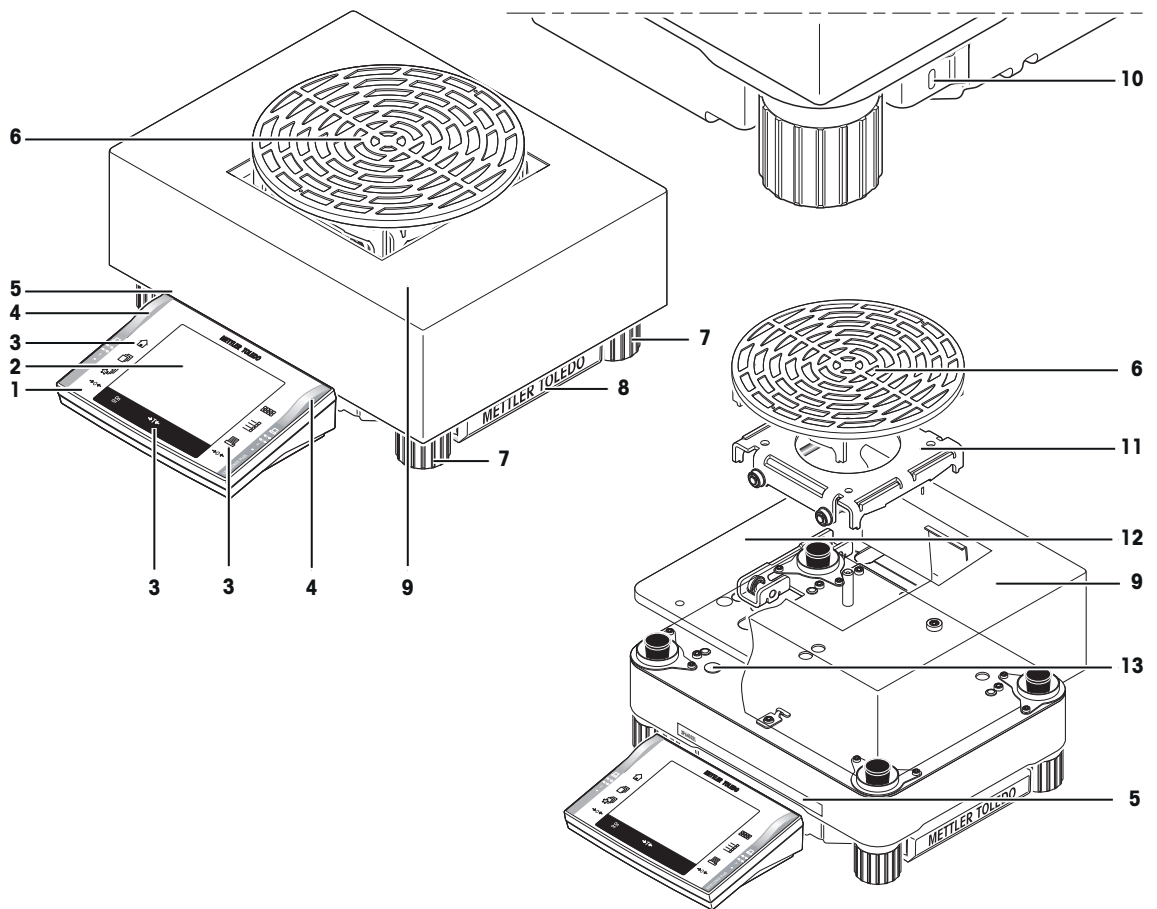
1	Terminal (details see Operating Instruction – Part 2)	2	Display (Touch-sensitive "Touch screen")
3	Operating keys	4	SmartSens sensors
5	Type name	6	Weighing pan
7	Foot screws	8	Cover
9	Fastening point for anti-theft device	10	Level indicator / level sensor



Bottom View XP32003L/XP64002L

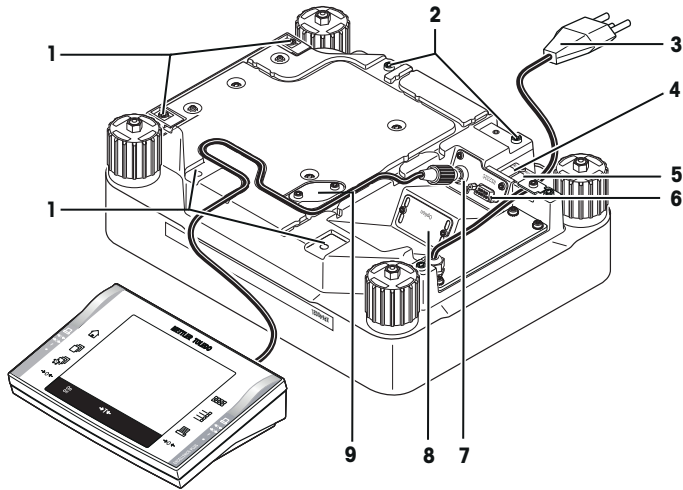
1	Points of attachment for terminal or cover	2	Fastening for terminal stand (optional)
3	Power cable	4	Aux 1 (connection for "ErgoSens", hand- or foot-switch)
5	Aux 2 (connection for "ErgoSens", hand- or foot-switch)	6	RS232C serial interface
7	Connector for terminal cable	8	Slot for second interface (optional)
9	Cover plate for below-the-balance weighing (hook optional)		

3.2 Overview XP26003L/XP64003L with Levelmatic



Top View XP26003L/XP64003L

1	Terminal (details see Operating Instruction – Part 2)	2	Display (Touch-sensitive "Touch screen")
3	Operating keys	4	SmartSens sensors
5	Type name	6	Levelmatic weighing pan
7	Foot screws	8	Cover
9	Draft shield element	10	Fastening point for anti-theft device
11	Levelmatic secondary base	12	Adapter plate with Levelmatic base plate.
13	Level indicator / level sensor		



Bottom View XP26003L/XP64003L

1	Points of attachment for terminal or cover	2	Fastening for terminal stand (optional)
3	Power cable	4	Aux 1 (connection for "ErgoSens", hand- or foot-switch)
5	Aux 2 (connection for "ErgoSens", hand- or foot-switch)	6	RS232C serial interface
7	Connector for terminal cable	8	Slot for second interface (optional)
9	Cover plate for below-the-balance weighing (hook optional)		

4 Installation and Putting into Operation



WARNING

Risk of electric shock

The balance must be disconnected from the power supply before any set-up or installation work, as well as when the housing of the weighing terminal is opened.

4.1 Unpacking and checking the standard equipment

Open the packaging and carefully remove all components.

4.2 Scope of delivery

- Weighing platform
 - RS232C interface
 - Slot for second interface (optional)
 - Feedthrough for antitheft device
- Weighing pan 280 × 360 mm (XP32003L and XP64002L)
- Levelmatic ø 220 mm and draft shield cover (XP26003L and XP64003L)
- Weighing pan round ø 220 mm and draft shield cover (XP64002L-T)
- Terminal (XP32003L and XP64002L with terminal support) and protective cover
- Draft shield XP W64 (XP26003L and XP64003L)
- Transport case (XP64002L-T)
- Country-specific power cable
- Shipping lock (2 pieces)
- Production certificate
- CE declaration of conformity
- Operating instructions part 1 (this document), part 2, part 3 and WeighCom application for XP comparator balances

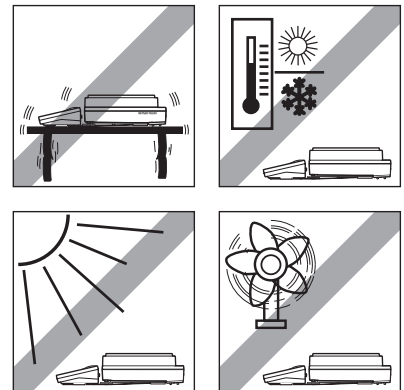
4.3 Location

An optimal location will ensure accurate and reliable operation of the balance. The surface must be able to safely take the weight of the balance when fully loaded. The following local conditions must be observed:

Note

If the balance is not horizontal at the outset, it must be leveled during commissioning.

- The balance must only be used indoors and up to a maximum altitude of 4000 m above sea level.
- Before switching on the balance, wait until all parts are at room temperature (+10 to 30 °C).
The humidity must be between 10% and 80% non-condensing.
- The power plug must be accessible at all times.
- Firm, horizontal and vibration-free location.
- Avoid direct sunlight.
- No excessive temperature fluctuations.
- No strong drafts.



Further information can be found in Weighing the Right Way.

4.4 Assembling the balance

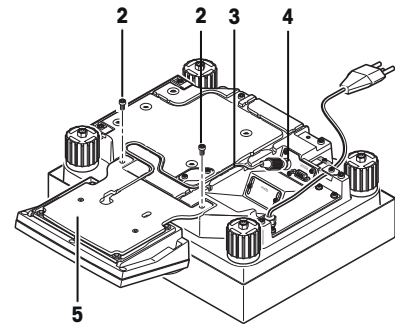
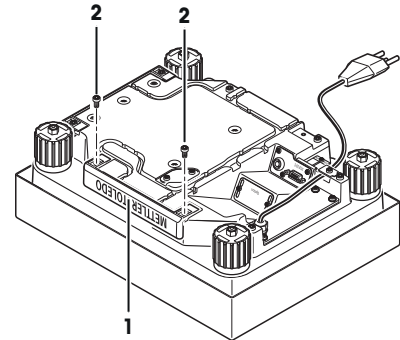
4.4.1 Placing the terminal on the weighing platform

The terminal can be attached to the long or short side of the balance.

- ▶ Ensure that the transport arrestment is installed, Before attaching the terminal.
See Removing/inserting the transport arrestments (page 15).
- Carefully turn the weighing platform over and position it on a smooth surface to protect the weighing pan support points.

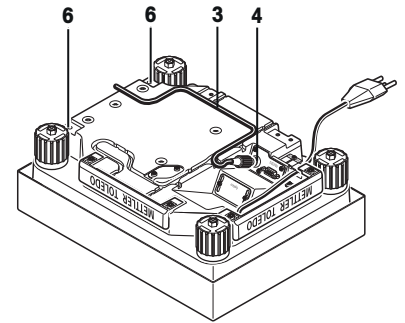
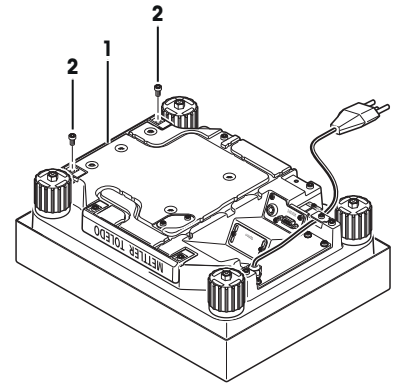
Attaching the terminal to the long side

- 1 Dismantle the cover (1) by removing the 2 screws (2).
- 2 Attach the terminal to the terminal support (5) as shown, using the screws (2) from the cover that was removed.
- 3 Insert the terminal cable (3) into the cable channel, as shown.
- 4 Screw the connector of the terminal cable into the socket (4).
- 5 Turn the balance back over into position.



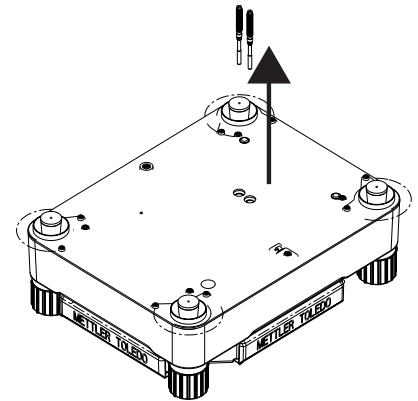
Attaching the terminal to the short side

- 1 Dismantle the cover (1) by removing the 2 screws (2).
- 2 Attach the terminal with terminal support to the points of attachment (6) with the screws (2).
- 3 Insert the terminal cable (3) into the cable channel, as shown.
- 4 Screw the connector of the terminal cable into the socket (4).
- 5 Turn the balance back over into position.

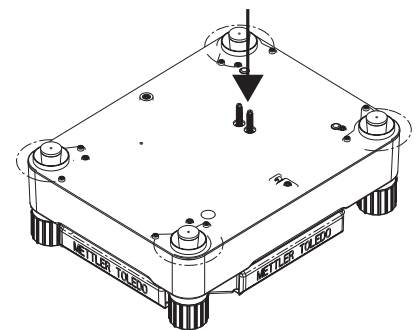


4.4.2 Removing/inserting the transport arrestments

- 1 Screw both transport arrestments out of the cell in counterclockwise direction.
- 2 Cover the openings with the enclosed plastic covers.

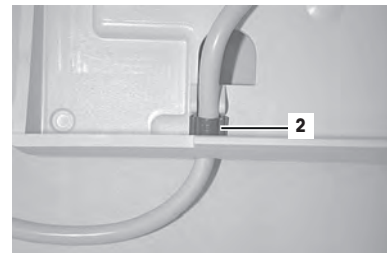
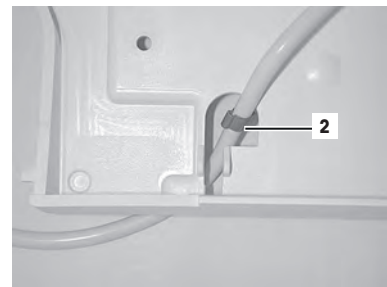
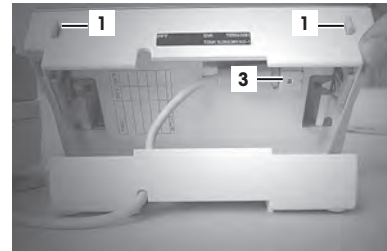
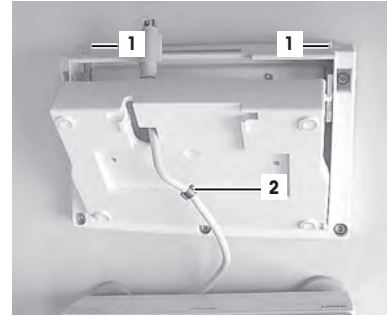


- 1 Reinsert both transport arrestments for all transports.
- 2 Tighten the transport arrestments only loosely.



4.4.3 Freestanding terminal installation

- ▶ Ensure that a soft, clean surface is used so as not to damage the terminal surface.
- 1 Place the terminal on the operating surface.
- 2 Open the housing by pressing the 2 buttons (1) for adjusting the terminal and swiveling the housing base upwards.
- 3 Pull the cable with the retaining ring (2) through the opening on the housing base.
- 4 Return the terminal to its normal position.
- 5 Open it so that the cable can be accessed.
- 6 Insert the cable (3) into the top housing.
- 7 Close both parts of the housing until the retaining ring (2) is positioned in the cable opening of the housing base.
- 8 Place the retaining ring (2) behind the two guideways and check that it is secure (tension relief).
- 9 Before closing the housing, check that the plug is inserted correctly into the terminal plug-in connection.
- 10 Now close the housing by pressing the two buttons (1) for adjusting the terminal until the housing base engages in the top housing.

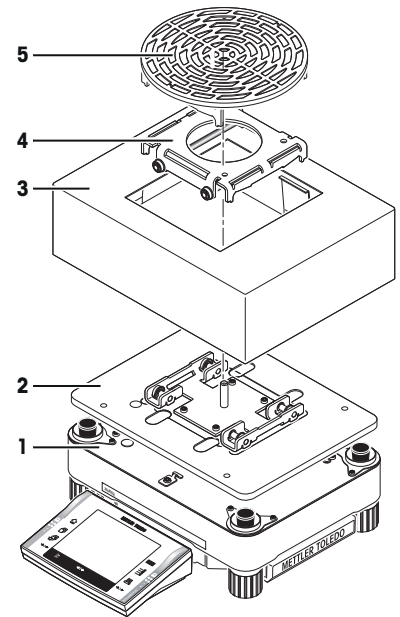


4.4.4 Installation of the standard weighing pan

- Mount the weighing pan.

4.4.5 Installing the Levelmatic

- 1 Place the attached adapter plate (2) on the housing base (1).
- 2 Put on the draft shield cover (3).
- 3 Place the secondary base (4) on the base plate.
- 4 Place the Levelmatic weighing pan (5) on top.



4.5 Connecting the balance



WARNING

Risk of electric shock

- To connect the balance, only use the supplied three-core power cord with equipment grounding conductor.
- Only connect the balance to a three-pin power socket with earthing contact.
- Only standardized extension cable with equipment grounding conductor must be used for operation of the balance.
- Intentional disconnection of the equipment grounding conductor is forbidden.

The balance is supplied with a country-specific power cable.

100 – 240 V AC, 50/60 Hz.

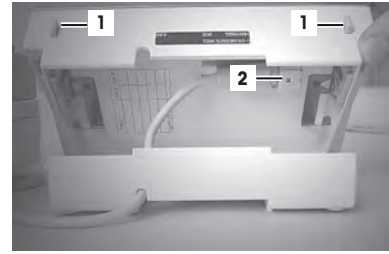
Attention

- Check whether your local power supply falls within this range. If this is not the case, under no circumstances connect the AC adapter to the power supply, but contact a METTLER TOLEDO representative.
- The power plug must be accessible at all times.
- Prior to use, check the power cord for damage.
- Route the cable in such a way that it cannot be damaged or cause a hindrance when working.
- Ensure that no liquid comes into contact with the AC adapter.

Note

If the display field remains dark, even though the power supply connection functions.

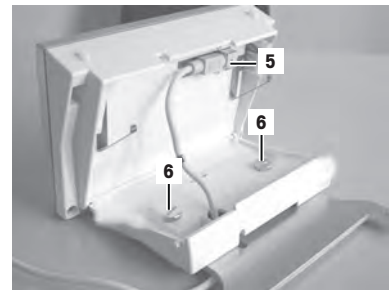
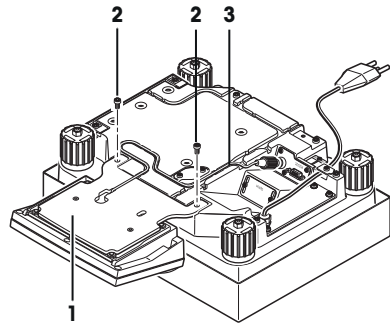
- 1 First disconnect the balance from the power supply.
- 2 Open the terminal.
- 3 Press both buttons (1) on the back of the terminal and open the upper part of the terminal.
- 4 Check that the plug for the terminal cable (2) is connected correctly inside the terminal.



4.6 Setting up the terminal separately (XP32003L and XP64002L)

The terminal is connected to the weighing platform with a cable. The terminal can be removed from the weighing platform and located separately to ensure the optimum setup of your workplace.

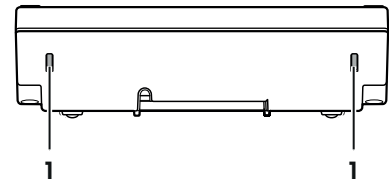
- 1 Switch off the balance.
- 2 Carefully turn the weighing platform over onto the weighing pan.
- 3 Carefully pull the terminal cable (3) out of the cable channel.
- 4 Remove the screws (2).
- 5 Lift the terminal with terminal support (1) off the weighing platform.
- 6 Open the housing by pressing the 2 buttons (4) for adjusting the terminal.
- 7 Unplug the cable (5) and pull it out of the housing through the opening.
- 8 Remove the 2 knurled screws (6) and detach the terminal support.
- 9 Pull the cable back through the base of the housing and plug it in.
- 10 Close the terminal and place it in the desired position.
- 11 If possible, insert the terminal cable (3) back into the cable channel.
- 12 Turn the balance back over into position.



The cable can also be led out the back or the side of the weighing platform.

4.7 Setting the reading angle

- 1 Press in the two buttons (1) on the back of the terminal.
 - ⇒ The top of the terminal can then be pulled up or pushed down until it engages in the desired position. A total of 3 setting positions are available.
- 2 Move it in an appropriate position.



4.8 Transporting the balance

Observe the following instructions to transport your balance to a new location.

- ▶ Ensure that the transport arrestments are correctly installed.
See Removing/inserting the transport arrestments (page 15).
- 1 Switch off the balance.
- 2 The balance must be disconnected from the power supply.
- 3 Remove any interface cable from the balance.

4.8.1 Transporting over short distances



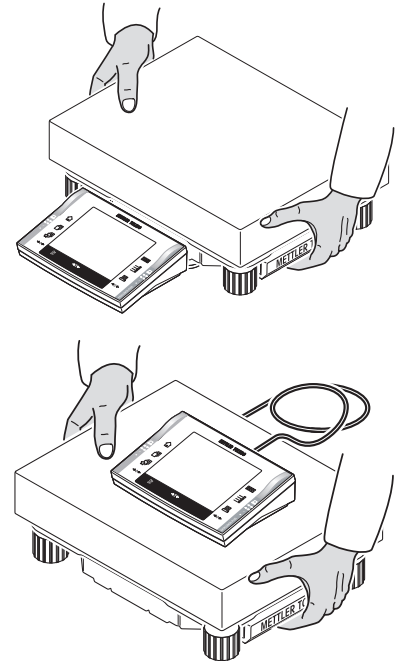
CAUTION

Damage of device

The terminal is not permanently connected to the weighing platform and therefore the balance must be carried horizontally.

- Remove the terminal from the terminal support and place the terminal on the weighing pan.

- 1 Hold the weighing platform with both hands and lift horizontally.
- 2 Carry the balance horizontally to the new location.



4.8.2 Transporting Over Long Distances

If you want to transport or ship your balance over long distances, or if it is not certain that the balance will be transported upright, use the complete original packaging.

4.9 Below-the-balance weighing

Your balance is equipped with a hanger for carrying out weighings below the work surface (weighing below the balance).

- 1 Switch off the balance.
- 2 The balance must be disconnected from the power supply.
- 3 Remove any interface cable from the balance.

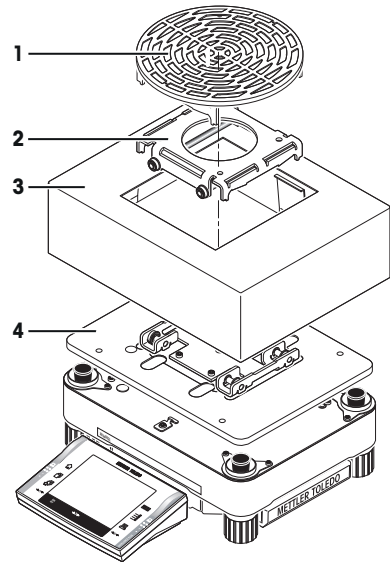
Note

For below-the-balance weighing, you will need hook 11132565 from the accessories.

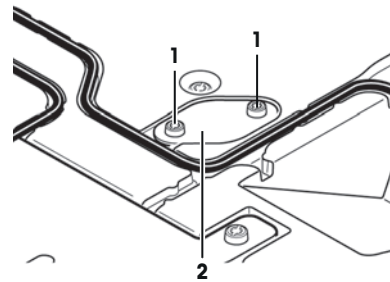
See Accessories (page 37).

Preparing for below-the-balance weighing

- Remove the Levelmatic in the order listed (depending on the model):
 - Levelmatic weighing pan (1)
 - Secondary base (2)
 - Draft shield cover (3)
 - Adapter plate with base plate (4)



- 1 Tilt the weighing platform backwards until the cover plate (2) is visible.
- 2 Remove the 2 screws (1) and the cover plate (2).
⇒ The hanger is now accessible.
- 3 Fasten the hooks (optional) with screws.
- 4 Return the balance to its normal position and simply reinstall all components in the reverse order.



5 First Steps

5.1 Switching On / Off

Switching on

- Press «**On/Off**».
- ⇒ The display appears.



Note

If the balance has not been set up exactly horizontally, a warning text will appear shortly after the balance is turned on, prompting you to level the balance.

Switching off

- Press «**On/Off**» until "Off" appears in the display.



Note

Do not disconnect the balance from the power supply except if you will not be using the balance for an extended period.

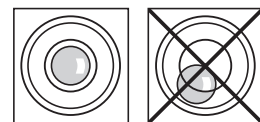
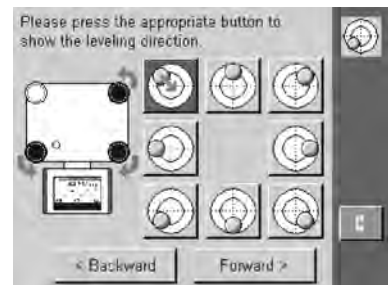
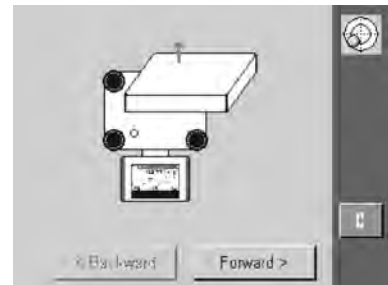
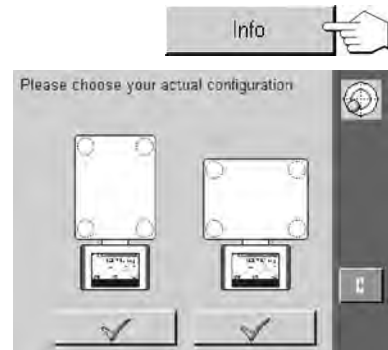
5.2 Leveling the balance

Your balance has a built-in levelcontrol, that constantly checks the correct horizontal alignment.

When the levelcontrol detects that the level is incorrect, a warning will appear and a warning beep will sound. A status icon will also appear in the upper right-hand corner of the display.



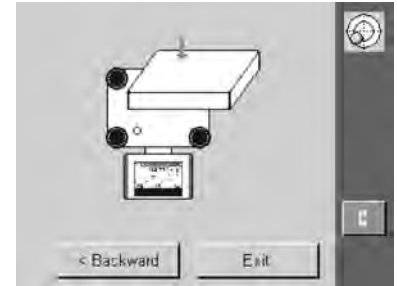
- 1 Touch the button that matches your site and your configuration.
- 2 Remove the weighing pan so you can monitor the level indicator.
- 3 Tap «**Forward** >».
- 4 Turn the leveling foot all the way up, in the direction of the red arrow.
- 5 Tap «**Forward** >».
- 6 Watch the levelcontrol located of your balance and press the appropriate button of the current position.
- 7 The Leveling Assistant will now use red arrows to indicate the direction in which you must turn the footscrews.
- 8 Screw the footscrew until the air bubble is in the inner circle.
- 9 Tap «**Forward** >».



- 1 Unscrew the footscrew until it **lightly** touches the supporting surface.
- 2 Tap «**Forward** >».
- 3 Tap «**Exit**».
- ⇒ A message appears that advises you to adjust the balance.
- 4 Confirm with «**OK**».



⇒ Status icon will no longer appear and balance returns to normal operation.



6 Special Settings for XP-L Comparators

To fully utilize the high resolution of the balance, some specific rules must be observed. These will enable you to obtain the best possible results.

6.1 Load the balance

Because of the high resolution of the balance, even minute differences of temperature or humidity can affect the result. Make sure that the weighing pan are clean and that the weighing sample is acclimatized.



CAUTION

Use gloves or working aids when loading and unloading the balance

Otherwise artifacts may be damaged.

6.2 Settings for the balances

In the tables below you will find the factory settings for the system settings and the user-specific settings of the XP-L comparator balances. Detailed information is found in the Operating Instructions Part 2 and Part 3.

6.2.1 System settings

Navigation: «» or «» > «System» > «Adjust/Test»

Menu structure

Main menu	Submenu	Further information
Adjust/Test	Test/Adj. Weight	see External adjustment weights
	ProFACT / Int. Adj.	see Fully automatic adjustment function ProFACT
	Test History	see Adjustment history

You can define the following parameters:

Menu item	Explanation	Further Information
Test/Adj. Weight	Defines the test weights and parameters for adjusting and the workflow for testing or adjusting.	see External adjustment weights
ProFACT / Int. Adj.	Weight adjustment - internal.	see Fully automatic adjustment function ProFACT
Test History	Records test results.	see Adjustment history

External adjustment weights

Navigation: «» > «System» > «Adjust/Test» > Test/Adj. Weight

Menu structure

Main menu	Submenu	Further information
Test/Adj. Weight 1 ... Test/Adj. Weight12	Name	see Parameter table
	Weight ID	
	Class	
	Certificate No.	
	Weight Set No.	
	Actual Value	
	Next Recalibration	

You can define the following parameters:

Parameter	Explanation	Values
Name	Defines a name for a test weight. Note Alternative to the Weight ID and Certificate No. (E.g. 20g QK).	any (max. 20 characters!) (Test/Adj. Weight)*
Weight ID	Defines the identification (ID) of the weight. Note The ID of the weight is provided on the Weight Certificate. The ID may contain your company specific identification number.	any (max. 20 characters!) (Define)*
Class	Choose the predefined classes (model-dependent). Note Choose own when none of the other classes apply.	E1* E2 F1 F2 M1 M2 M3 ASTM1 ASTM2 ASTM3 ASTM4 ASTM5 ASTM6 ASTM7 Own
Certificate No.	Define the certificate number of the external test weight.	any (max. 20 characters!) (Define)*
Weight Set No.	Define the identification number to the set of weights (if the test weight belongs to a set).	any (max. 20 characters!) (Define)*
Actual Value	Weight value from the weight certificate. Independent of the balance model, the complete number should be entered regardless of the number of decimal places (e.g. 20.00124 g). Note Methods always use the actual value and the maximum decimal places of the balance will be used for computation.	Weight value (0 g)*
Next Recalibration	Enter the date when the next calibration of the weight is due. Note If no calibration of the weight is planned, the present value (31.12.2099) will be retained.	DD.MM.YYYY (31.12.2099)*

* Factory setting

Fully automatic adjustment function ProFACT

Navigation:  > «System» > «Adjust/Test» > ProFACT / Int. Adj.

Menu structure

Main menu	Submenu	Further information
Off	no submenu	none
ProFACT / Int. Adj.	Weekdays	see Parameter table
	Temp.Criterion	
	Protocol Trigger	

Note

When comparing masses, it is not advisable to switch **ProFACT** on.


You can define the following parameters:

Parameter	Explanation	Values
Weekdays	Define the days on which fully automatic adjustment should be carried out.	Monday* Thursday* Wednesday* Thursday* Friday* Saturday* Sunday*
Temp.Criterion	Define the change in ambient temperature which will trigger the automatic adjustment.	Off 0.5 Kelvin 1 Kelvin* 2 Kelvin 3 Kelvin

Protocol Trigger	Enables or disables automatic printing of a recording as soon as the automatic adjustment is triggered.	On* Off
-------------------------	---	-------------------------

* Factory setting

Adjustment history

Navigation:  > «System» > «Adjust/Test» > Test History

Menu structure

Main menu	Submenu	Further information
Adj. History	no submenu	none
Adj. History Selection	Selection	see Parameter table
	Display Datasets	
GWP History	no submenu	none

You can define the following parameters:

Parameter	Explanation	Values
Selection	Select the adjustments you want to have displayed in the Adj. History above.	Manual adjust.* Temperature* Time Adjust.*
Display Datasets	Display records.	Last 10 Last 20 Last 30 Last 40 Last 50*

* Factory setting

6.2.2 User-specific settings

Navigation:  > «Wghparam»

Menu structure

Main menu	Submenu	Further information
Wghparam	Weighing Mode	see Weighing Mode
	AutoZero	see AutoZero
User	Language	see Language
Terminal	Optical key feedback	see Optical key feedback


Defining weighing parameters

You can define the following parameters:

Parameter	Explanation	Values
Weighing Mode	Settings for adapting the balance to particular weighing conditions. Note For the XP-L balances only the « Universal » and « Sensor Mode » settings are available.	Universal* Dosing Sensor Mode Check-weighing
AutoZero	Enables or disables the function AutoZero . Is switched off at initial operation and after a factory reset (resetting to the factory settings), but can be switched on again when required. When changing over to the "WeighCom" application, AutoZero is automatically switched off. When changing back to the "Weigh" application, the previous status of AutoZero is restored. Attention When comparing masses, AutoZero must not be switched on, because it can distort the measurement values.	Off* On

* Factory setting

Entering user data

Navigation: «» > «User»

You can define the following parameters:

Parameter	Explanation	Values
Language	Defines your preferred display and keyboard language.	English* Deutsch Français Español Italiano Russian Katakana Polski Cestina Magyar Chinese Japanese

* Factory setting

Terminal settings

Navigation: «» > «Terminal»

You can define the following parameters:

Parameter	Explanation	Values
Optical key feedback	Enables or disables the function Optical key feedback .	Off* On

* Factory setting

7 The WeighCom Application

Practical information about working with the «**WeighCom**» application along with the possible settings find in the separate operating instructions "WeighCom Application for XP Comparator Balances".

7.1 Introduction to the WeighCom application

So that weights can be traced back to the prototype kilogram, the mass of the weight being determined must be compared with the mass of the reference weight. This procedure requires great care by the operator so that no weights are confused. On the comparator balances, the «**WeighCom**» application guides the user through this mass-comparison weighing with weights of any manufacturer and thereby ensures the certainty and reliability of the mass-comparison weighing.

7.2 Selecting the application

Navigation: «**☐☐☐☐**» > «**WeighCom**»

► «**WeighCom**» application is not selected.

- 1 Press the «**☐☐☐☐**» key.
 - 2 Tap the «**WeighCom**» icon in the selection window.
- ⇒ The comparator balance is then ready for the mass-comparison weighing.

8 Maintenance

8.1 Cleaning

Periodically clean the weighing pan, Levelmatic (depending on the model), draft shield (depending on the model), housing and terminal of your balance using a damp cloth. The maintenance interval depends on your standard operating procedure (SOP).

Please observe the following notes



WARNING

Risk of electric shock

- a) Disconnect the balance from the power supply prior to cleaning and maintenance.
 - b) Only use METTLER TOLEDO power cable, if these need to be replaced.
 - c) Ensure that no liquid comes into contact with the balance, terminal or AC adapter.
 - d) Do not open the balance, terminal or AC adapter.
These contain no user-serviceable parts.
-



CAUTION

Damage of balance

On no account use cleaning agents which contain solvents or abrasive ingredients, as this can result in damage to the terminal overlay.

Cleaning

Your balance is made from high quality, resistant materials and can therefore be cleaned with a commercially available, mild cleaning agent.

Note

Please contact your METTLER TOLEDO dealer for details of the available service options. Regular servicing by an authorized service engineer ensures constant accuracy for years to come and prolongs the service life of your balance.

8.2 Disposal

In conformance with the European Directive 2002/96/EC on Waste Electrical and Electronic Equipment (WEEE) this device may not be disposed of in domestic waste. This also applies to countries outside the EU, per their specific requirements.

Please dispose of this product in accordance with local regulations at the collecting point specified for electrical and electronic equipment. If you have any questions, please contact the responsible authority or the distributor from which you purchased this device. Should this device be passed on to other parties (for private or professional use), the content of this regulation must also be related.

Thank you for your contribution to environmental protection.



9 Technical Data

9.1 General data

Power supply

Power supply:	115-240 VAC, -15%/+10%, 50/60 Hz, 0.4 A
Power cable:	3-core, with country-specific plug

Protection and standards

Overvoltage category:	II
Degree of pollution:	2
Protection:	IP44, protected against dust and water
Standards for safety and EMC:	See Declaration of Conformity
Range of application:	For use only in closed interior rooms

Environmental conditions

Height above mean sea level:	Up to 4000 m
Ambient temperature:	18...27 °C ±0.3 °C / 1 h or 0.5 °C / 12 h respectively
Relative air humidity:	40 up to 60% ±5% / 4 h
Maximum air speed:	0.15 m/sec
Maximum loading speed:	5 mm/sec

Materials

Housing:	Sheet aluminum, die cast, laquered, plastic and chrome steel
Terminal:	Die-cast zinc, chromed and plastic
Weighing pan:	Chrome-nickel steel X5CrNi18-10
Draff shield:	Plastic, chrome-nickel steel, aluminium and glas
Levelmatic:	Chrome-nickel steel and aluminium

9.2 Model-specific data

		XP26003L	XP32003L	XP64003L
Limit values				
Maximum capacity		26.1 kg	32.1 kg	64.1 kg
Readability		0.001 g	0.005 g	0.005 g
Tare range (from...to)		0 ... 26.1 kg	0 ... 32.1 kg	0 ... 64.1 kg
Repeatability (at nominal load)	sd	0.005 g (20 kg)	0.015 g (20 kg)	0.013 g (50 kg)
Repeatability (at low load)	sd	0.004 g (1 kg)	0.015 g (1 kg)	0.013 g (2 kg)
Repeatability (at nominal load) (ABA, measured at) ²⁾	sd	0.003 g (20 kg)	0.01 g (20 kg)	0.008 g (50 kg)
Repeatability (at low load) (ABA, measured at) ²⁾	sd	0.002 g (1 kg)	0.005 g (1 kg)	0.004 g (2 kg)
Linearity deviation		0.025 g	0.04 g	0.05 g
Eccentricity deviation (test load)		–	0.25 g (10 kg)	–
Sensitivity offset (test weight)		0.25 g (20 kg)	0.3 g (20 kg)	0.9 g (50 kg)
Sensitivity temperature drift ¹⁾		0.0003%/°C	0.0003%/°C	0.0005%/°C
Sensitivity stability		0.0015%/a	0.002%/a	0.003%/a
Typical values				
Repeatability (at low load) ²⁾	sd	0.003 g (20 kg)	0.012 g (20 kg)	0.011 g (50 kg)
Repeatability ABA ²⁾	sd	0.0025 g (20 kg)	0.009 g (20 kg)	0.007 g (50 kg)
Linearity deviation		0.0114 g	0.028 g	0.028 g
Eccentric deviation (test load)		–	0.16 g (10 kg)	–
Sensitivity offset (test weight)		0.02 g (20 kg)	0.04 g (20 kg)	0.08 g (50 kg)
Minimum weight (according to USP)		0.0045 kg	0.024 kg	0.021 kg

		XP64002L	XP64002L-T
Linearity deviation		0.028 g	0.028 g
Eccentric deviation (test load)		0.24 g (20 kg)	0.24 g (20 kg)
Sensitivity offset (test weight)		0.08 g (50 kg)	0.08 g (50 kg)
Minimum weight (according to USP)		0.054 kg	0.054 kg
Minimum weight (U=1%, k=2)		0.0036 kg	0.0036 kg
Settling time		8 ... 12 s	8 ... 12 s
Dimensions			
Balance dimensions (W × D × H)		360 × 280 × 130 mm	360 × 280 × 130 mm
Weighing pan dimensions		360 × 280 mm (W × D)	∅ 220 mm
Typical uncertainties and supplementary data			
Repeatability ²⁾	sd	0.018 g + 0.000027%·Rgr	0.018 g + 0.000027%·Rgr
Repeatability (ABA, measured at) ²⁾	sd	0.007 g + 0.000027%·Rgr	0.012 g + 0.000023%·Rgr
Differential linearity deviation	sd	√0.012 mg·Rnt	√0.012 mg·Rnt
Differential eccentric load deviation	sd	0.0012%·Rnt	0.0012%·Rnt
Sensitivity offset	sd	0.00016%·Rnt	0.00016%·Rnt
Minimum weight (according to USP)		0.054 kg + 0.081%·Rgr	0.054 kg + 0.081%·Rgr
Minimum weight (U=1%, k=2)		0.0036 kg + 0.0054%·Rgr	0.0036 kg + 0.0054%·Rgr
Weighing time 1 ABA ³⁾		69 ... 81 s	69 ... 81 s
Interface update rate		23 /s	23 /s
Usable height of draft shield			
Weight of balance		10.7 kg	25 kg
Number of built-in reference weights		2	2
Weights for routine testing			
OIML CarePac	Weights	2 kg M1 #11117722 50 kg M1 #11125499	2 kg M1 #11117722 50 kg M1 #11125499
ASTM CarePac	Weights	2 kg ASTM 2 #11123534 50 kg ASTM 2 #00158741	2 kg ASTM 2 #11123534 50 kg ASTM 2 #00158741

sd = Standard deviation

Rnt = Net weight (sample weight)

Rgr = Gross weight

a = Year (annum)

1) In the temperature range 10...30 °C

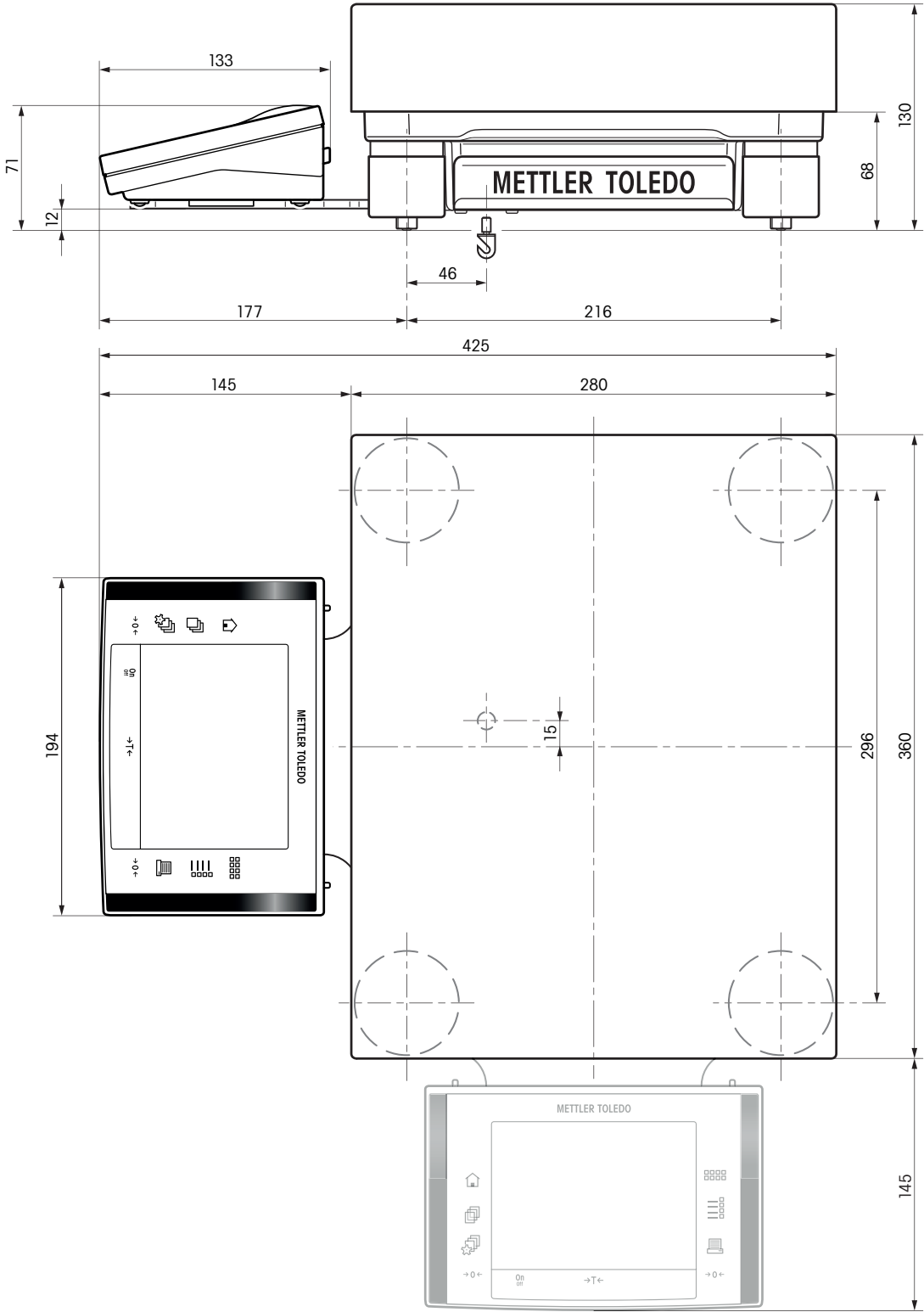
2) Value out of 5 ABA measurements according to OIML R111

3) Unloading/Loading: 0–10 kg = 6 s, 20–50 kg = 15 s, 100–5000 kg = 35 s

9.3 Dimensions

9.3.1 Dimensions XP32003L and XP64002L

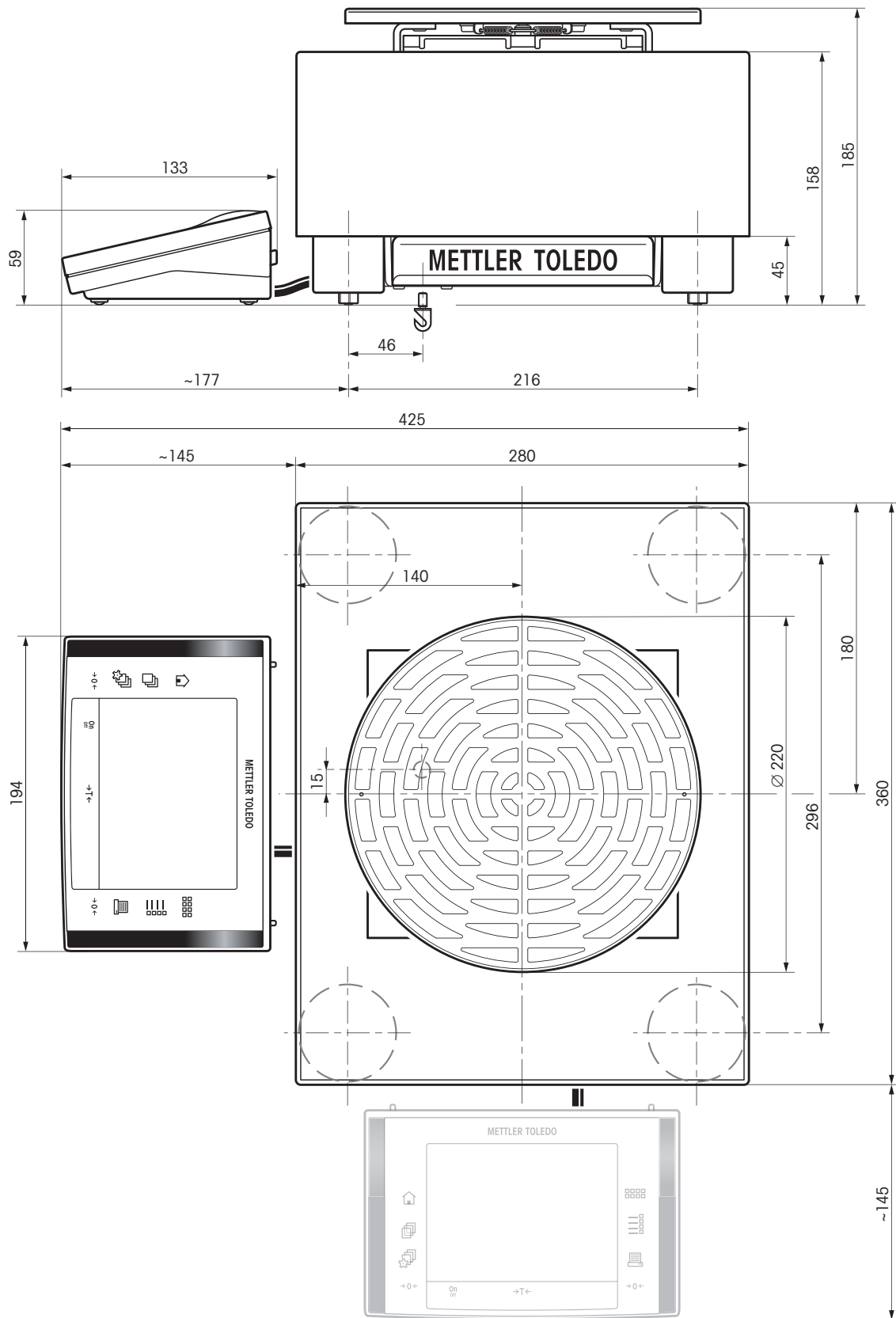
Dimensions in mm



XP32003L and XP64002L

9.3.2 Dimensions XP26003L and XP64003L

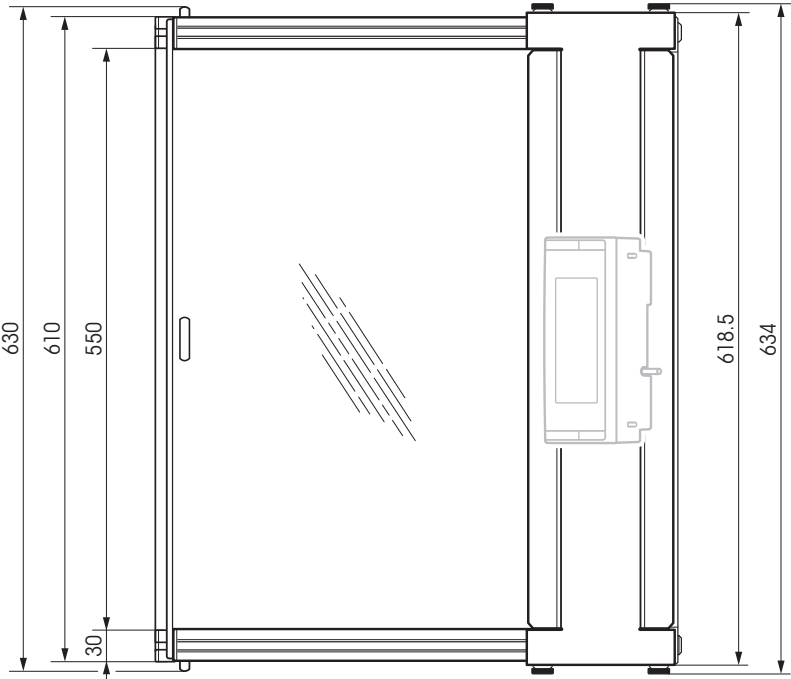
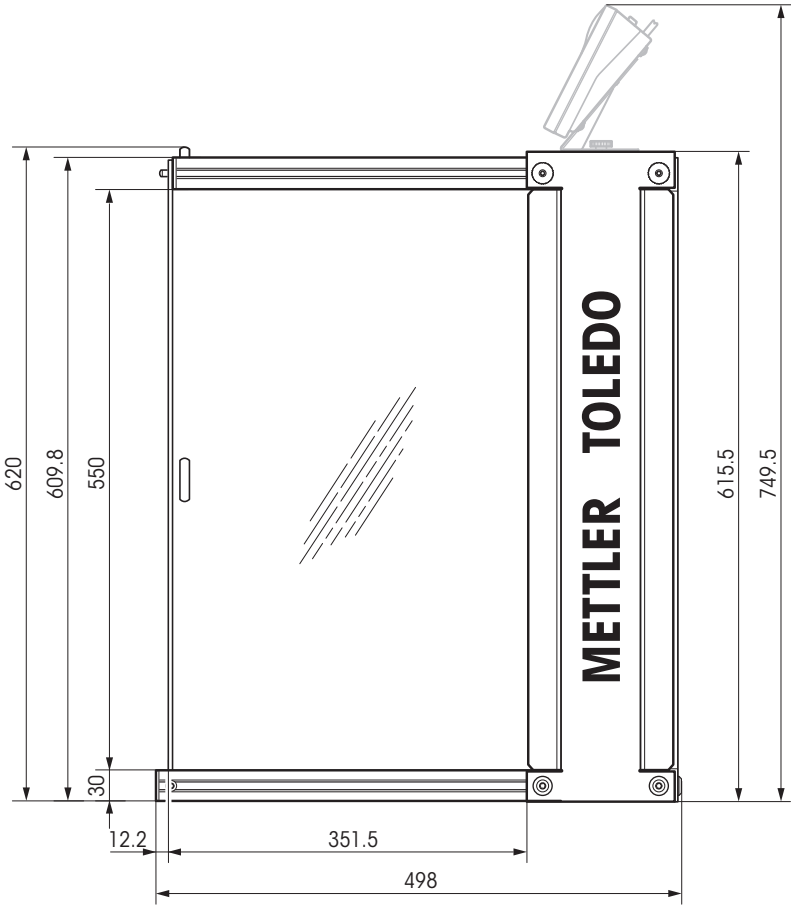
Dimensions in mm



XP26003L and XP64003L

9.3.3 Dimensions draft shield XP-W64

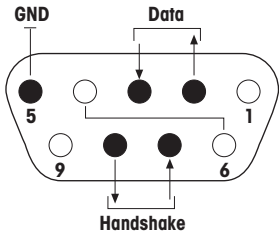
Dimensions in mm



Draft shield XP-W64

9.4 Interfaces

9.4.1 Specifications of RS232C

Interface type:	Voltage interface according to EIA RS-232C/DIN 66020 (CCITT V24/V.28)	
Max. cable length:	15 m	
Signal level:	Outputs: +5 V ... +15 V (RL = 3 – 7 kΩ) –5 V ... –15 V (RL = 3 – 7 kΩ)	Inputs: +3 V ... 25 V –3 V ... 25 V
Connector:	Sub-D, 9-pole, female	
Operating mode:	Full duplex	
Transmission mode:	Bit-serial, asynchronous	
Transmission code:	ASCII	
Baud rates:	600, 1200, 2400, 4800, 9600, 19200, 38400 ¹⁾ (firmware selectable)	
Bits/parity:	7-bit/even, 7-bit/odd, 7-bit/none, 8-bit/none (firmware selectable)	
Stop bits:	1 stop bit	
Handshake:	None, XON/XOFF, RTS/CTS (firmware selectable)	
End-of-line:	<CR><LF>, <CR>, <LF> (firmware selectable)	
	Pin 2: Balance transmit line (TxD) Pin 3: Balance receive line (RxD) Pin 5: Ground signal (GND) Pin 7: Clear to send (hardware handshake) (CTS) Pin 8: Request to send (hardware handshake) (RTS)	

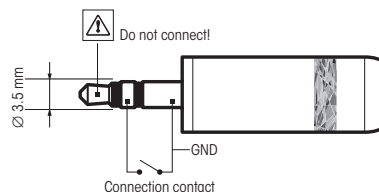
- ¹⁾ 38400 baud is only possible in special cases, such as:
- Weighing platform without terminal, or
 - Weighing platform with terminal, only via the optional RS232C interface.

9.4.2 Specifications of "Aux" connection

You can connect the METTLER TOLEDO "ErgoSens" or an external switch to sockets "Aux 1" and "Aux 2". This allows you to start functions such as taring, zeroing, printing and others.

External connection

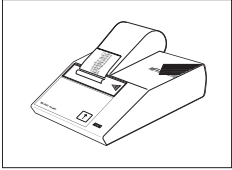
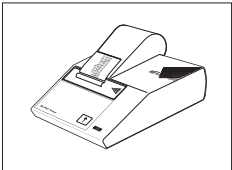
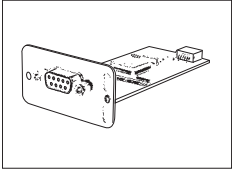
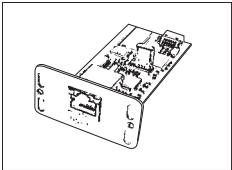


Connector:	3.5 mm stereo jack connector	
Electrical data:	Max. voltage	12 V
	Max. current	150 mA



10 Accessories and Spare Parts

10.1 Accessories

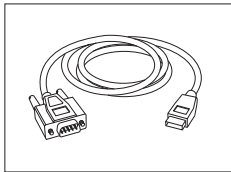
You can increase the functionality of your balance with accessories from the METTLER TOLEDO range. The following options are available:

	Description	Part No.
Printers		
	BT-P42 printer with Bluetooth connection to instrument	11132540
	Paper roll, set of 5 pcs	00072456
	Paper roll, self-adhesive, set of 3 pcs	11600388
	Ribbon cartridge, black, set of 2 pcs	00065975
	RS-P42 printer with RS232C connection to instrument	00229265
	Paper roll, set of 5 pcs	00072456
	Paper roll, self-adhesive, set of 3 pcs	11600388
	Ribbon cartridge, black, set of 2 pcs	00065975
Optional interfaces		
	Second RS232C Interface	11132500
	Ethernet Interface for connection to an Ethernet network	11132515
	BT option: Bluetooth Interface for multipoint connection for up to 6 Bluetooth devices	11132530
	BTS option: Bluetooth Interface, single-point connection	11132535



PS/2 option: Interface for connecting commercial keyboards and barcode readers

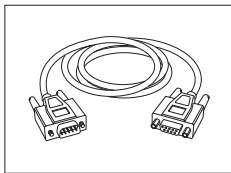
11132520



RS232 - USB converter cable – Cable with converter to connect a balance (RS232) to a USB port

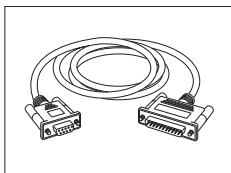
64088427

Cables for RS232C interface



RS9 – RS9 (m/f): connection cable for PC, length = 1 m

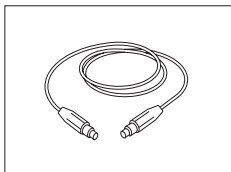
11101051



RS9 – RS25 (m/f): connection cable for PC, length = 2 m

11101052

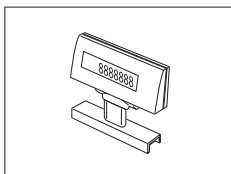
Cables for terminal



Terminal extension cable, length = 4.5 m

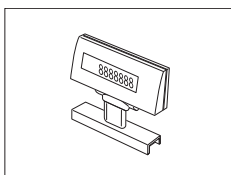
11600517

Auxiliary displays



BT-BLD Bluetooth auxiliary display for table mounting, 168 mm, LCD display with backlighting

11132555



LC/RS-BLD auxiliary display on bench stand, backlit (incl. RS cable and separate AC adapter)

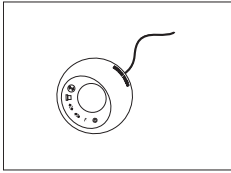
00224200



RS/LC-BLDS auxiliary display for table or balance mounting, 480 mm, LCD display with backlighting

11132630

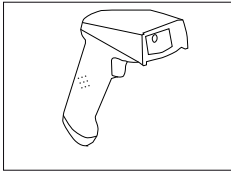
Sensors



ErgoSens, optical sensor for hands-free operation

11132601

Barcode reader



RS232C Barcode Reader

21901297

The following accessories are needed for operation (not included):

RS232 F cable 21901305

Null modem adapter 21900924

Plus one of the following:

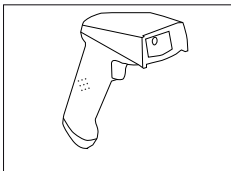
AC adapter 5 V for EU 21901370

AC adapter 5 V for US 21901372

AC adapter 5 V for GB 21901371

AC adapter 5 V for AU 21901370

+ 71209966



RS232C Barcode Reader – Cordless

21901299

The following accessories are needed for operation (not included):

Cradle 21901300

RS232 F cable 21901305

Null modem adapter 21900924

Plus one of the following:

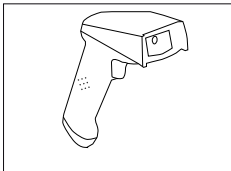
AC adapter 12 V for EU 21901373

AC adapter 12 V for US 21901375

AC adapter 12 V for GB 21901374

AC adapter 12 V for AU 21901373

+ 71209966

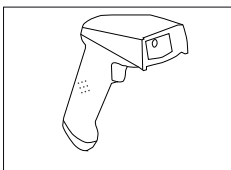


PS/2 Barcode Reader, without cable

21901297

PS/2 wedge single cable

21901307



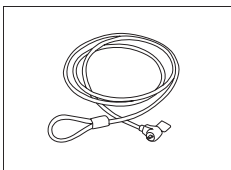
PS/2Y Barcode Reader, without cable

21901297

PS/2 wedge twin (Y) cable

21901308

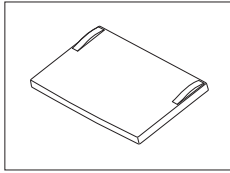
Anti-theft devices



Steel cable

11600361

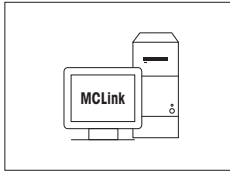
Protective covers



Protective cover for XP terminal

11132570

Software



MCLink mass comparator control software

MCLink software – a simple and practical tool for carrying out your mass measurements to a high level of efficiency. MCLink is the ideal tool for facilities from small calibration laboratories up to scientific mass laboratories. Reports are generated safely and efficiently with direct control of the comparators with one click.

11116504

Draft shields



Draft shield to cover the entire balance "XP-W64"
550 × 470 × 580 mm (W × D × H), "L" platform

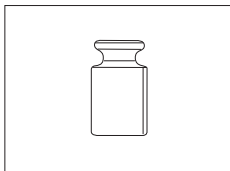
11134470

Reference weights



Reference weight, 20 kg (E1), certified

00159221



Reference weight, 50 kg (E1), certified

00159231

Climatic measurement station



Klimet A30 certified Includes:
1 sensor for air temperature, 1 sensor for air pressure, 1 sensor for relative humidity

00222012



Klimet A30 not certified Includes:
1 sensor for air temperature, 1 sensor for air pressure, 1 sensor for relative humidity

00222011



Temperature sensor (with 5 m cable)

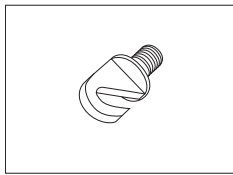
00222014



Temperature sensor (with 2.5 m cable)

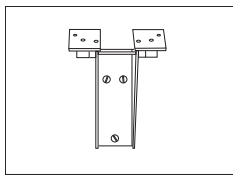
00222013

Various



Hook for the hanger (depending on the model), "M" and "L" platform

11132565



Wall fixture for terminal

11132665

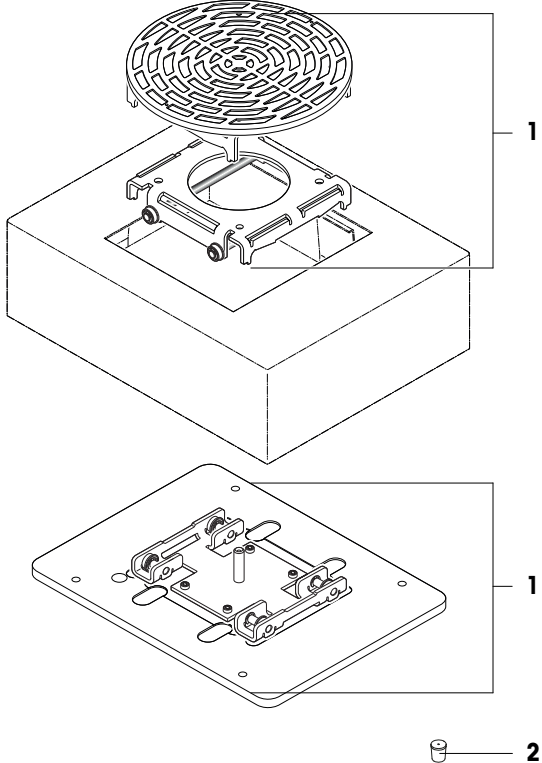
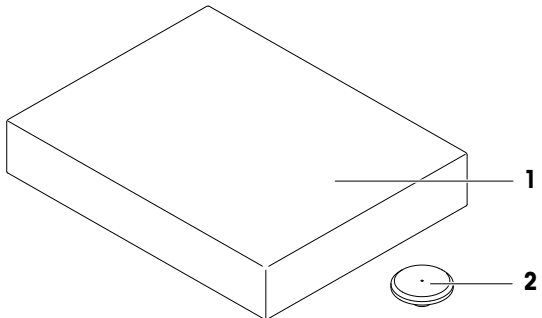



Terminal stand for placement of the terminal 30 cm above the weighing pan, "L" platform

11132653

10.2 Spare parts

Various

	Pos	Description	Part No.
	Levelmatic XP26003L, XP64003L		
	1	Levelmatic complete	11120415
	2	Pan support Levelmatic	11120418
		Update set XP-L std to LevelMatic weighing pan	30007868
	Weighing pan XP32003L, XP64002L		
	1	Weighing pan 32 kg	00239105
		Weighing pan 64 kg	11102124
	2	Pan support for standard weighing pan	00239104
		Update set XP-L LevelMatic to std weighing pan	30007869
		XP Terminal complete with firmware	11130837

Packaging

	Pos	Description	Part No.
	XP32003L, XP64002L		
	1	Packaging complete	11132909
	2	Export box	11132912
	XP26003L, XP64003L		
	1	Packaging complete	11120461
	2	Export box	11120444

11 Appendix

11.1 MT-SICS interface commands and functions

Many of the instruments and balances used have to be capable of integration in a complex computer or data acquisition system.

To enable you to integrate balances in your system in a simple manner and utilize their capabilities to the full, most balance functions are also available as appropriate commands via the data interface.

All new METTLER TOLEDO balances launched on the market support the standardized command set "METTLER TOLEDO Standard Interface Command Set" (MT-SICS). The commands available depending on the functionality of the balance.

For further information please refer to the Reference Manual MT-SICS downloadable from the Internet under

► <http://www.mt.com/comparators>

Index

A

Accessories	37
Adjustment history	26
Aux connections	36

B

Balance cable	16
Below-the-balance weighing	19

C

Cleaning	29
Conventions	6

D

Dimensions	33
Display field remains dark	18
Disposal	29

E

Environmental conditions	30
ErgoSens	36
External adjustment weights	24

F

Factory settings	24
Features	5
Fully automatic adjustment function ProFACT	25

G

General safety information	7
GLP	5
Good Laboratory Practice	5

I

Interface	
MT-SICS	44
ISO 14001	5
ISO 9001	5

L

Level sensor	21
Levelcontrol	21
Levelmatic	17
Load the balance	24
Local conditions	13
Location	13

M

Materials	30
MT-SICS	44

P

Power supply	30
ProFACT	25
Protection and standards	30

R

RS232C interface	36
------------------	----

S

Safety information	7, 7
Staff safety	8
Setting the reading angle	18
Settings	24
Spare parts	42
Staff safety	8
Switching off	21
Switching on	21
System settings	24

T

Technical data	30
Terminal	14, 16, 18
Terminal settings	27
Transport	19
Transport arrestment	14
Transport arrestments	15
Transporting over long distances	19
Transporting over short distances	19

U

User data	27
User-specific settings	26

W

WeighCom application	28
Weighing pan	16
Weighing parameters	26

GWP® – Good Weighing Practice™

The global weighing guideline GWP® reduces risks associated with your weighing processes and helps to

- choose the appropriate balance
- reduce costs by optimizing testing procedures
- comply with the most common regulatory requirements

► www.mt.com/GWP

www.mt.com/comparators

For more information

Mettler-Toledo AG, Laboratory Weighing

CH-8606 Greifensee, Switzerland

Tel. +41 (0)44 944 22 11

Fax +41 (0)44 944 30 60

www.mt.com

Subject to technical changes.

© Mettler-Toledo AG 01/2014

11780871A en

