

Unattended Vehicle Weighing Terminal



Incluye instrucciones en español

Y compris les instructions en français

METTLER TOLEDO

IND9U Unattended Vehicle Weighing Terminal

METTLER TOLEDO Service

Essential Services for Dependable Performance of Your IND9U Unattended Vehicle Weighing Terminal

Congratulations on choosing the quality and precision of METTLER TOLEDO. Proper use of your new equipment according to this Manual and regular calibration and maintenance by our factory-trained service team ensures dependable and accurate operation, protecting your investment. Contact us about a service agreement tailored to your needs and budget. Further information is available at www.mt.com/service.

There are several important ways to ensure you maximize the performance of your investment:

1. **Register your product:** We invite you to register your product at www.mt.com/productregistration so we can contact you about enhancements, updates and important notifications concerning your product.
2. **Contact METTLER TOLEDO for service:** The value of a measurement is proportional to its accuracy – an out of specification scale can diminish quality, reduce profits and increase liability. Timely service from METTLER TOLEDO will ensure accuracy and optimize uptime and equipment life.
 - a. **Installation, Configuration, Integration and Training:** Our service representatives are factory-trained, weighing equipment experts. We make certain that your weighing equipment is ready for production in a cost effective and timely fashion and that personnel are trained for success.
 - b. **Initial Calibration Documentation:** The installation environment and application requirements are unique for every industrial scale so performance must be tested and certified. Our calibration services and certificates document accuracy to ensure production quality and provide a quality system record of performance.
 - c. **Periodic Calibration Maintenance:** A Calibration Service Agreement provides on-going confidence in your weighing process and documentation of compliance with requirements. We offer a variety of service plans that are scheduled to meet your needs and designed to fit your budget.

© METTLER TOLEDO 2022

No part of this manual may be reproduced or transmitted in any form or by any means, electronic or mechanical, including photocopying and recording, for any purpose without the express written permission of METTLER TOLEDO.

U.S. Government Restricted Rights: This documentation is furnished with Restricted Rights.

Copyright 2022 METTLER TOLEDO. This documentation contains proprietary information of METTLER TOLEDO. It may not be copied in whole or in part without the express written consent of METTLER TOLEDO.

METTLER TOLEDO reserves the right to make refinements or changes to the product or manual without notice.

COPYRIGHT

METTLER TOLEDO® is a registered trademark of Mettler-Toledo, LLC. All other brand or product names are trademarks or registered trademarks of their respective companies.

METTLER TOLEDO RESERVES THE RIGHT TO MAKE REFINEMENTS OR CHANGES WITHOUT NOTICE.

FCC Notice

This device complies with Part 15 of the FCC Rules and the Radio Interference Requirements of the Canadian Department of Communications. Operation is subject to the following conditions: (1) this device may not cause harmful interference, and (2) this device must accept any interference received, including interference that may cause undesired operation.

This equipment has been tested and found to comply with the limits for a Class A digital device, pursuant to Part 15 of FCC Rules. These limits are designed to provide reasonable protection against harmful interference when the equipment is operated in a commercial environment. This equipment generates, uses, and can radiate radio frequency energy and, if not installed and used in accordance with the instruction manual, may cause harmful interference to radio communications. Operation of this equipment in a residential area is likely to cause harmful interference in which case the user will be required to correct the interference at his or her expense.

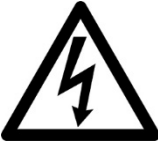



- Declaration of Conformity is located on the documentation CD.

Statement regarding harmful substances

We do not make direct use of harmful materials such as asbestos, radioactive substances or arsenic compounds. However, we purchase components from third party suppliers, which may contain some of these substances in very small quantities.

Warnings and Cautions

- READ this manual BEFORE operating or servicing this equipment and FOLLOW these instructions carefully.
- SAVE this manual for future reference.

	<p style="text-align: center;">! WARNING</p> <p>FOR CONTINUED PROTECTION AGAINST SHOCK HAZARD CONNECT TO PROPERLY GROUNDED OUTLET ONLY. DO NOT REMOVE THE GROUND PRONG.</p>
	<p style="text-align: center;">! WARNING</p> <p>WHEN THIS EQUIPMENT IS INCLUDED AS A COMPONENT PART OF A SYSTEM, THE RESULTING DESIGN MUST BE REVIEWED BY QUALIFIED PERSONNEL WHO ARE FAMILIAR WITH THE CONSTRUCTION AND OPERATION OF ALL COMPONENTS IN THE SYSTEM AND THE POTENTIAL HAZARDS INVOLVED. FAILURE TO OBSERVE THIS PRECAUTION COULD RESULT IN BODILY HARM AND/OR PROPERTY DAMAGE.</p>
	<p style="text-align: center;">! WARNING</p> <p>THE IND9U IS NOT DESIGNED FOR USE IN HAZARDOUS (EXPLOSIVE) AREAS.</p>
<p style="text-align: center;">! CAUTION</p>	
<p>BEFORE CONNECTING/DISCONNECTING ANY INTERNAL ELECTRONIC COMPONENTS OR INTERCONNECTING WIRING BETWEEN ELECTRONIC EQUIPMENT ALWAYS REMOVE POWER AND WAIT AT LEAST THIRTY (30) SECONDS BEFORE ANY CONNECTIONS OR DISCONNECTIONS ARE MADE. FAILURE TO OBSERVE THESE PRECAUTIONS COULD RESULT IN DAMAGE TO OR DESTRUCTION OF THE EQUIPMENT AND/OR BODILY HARM.</p>	
	<p style="text-align: center;">NOTICE</p> <p>OBSERVE PRECAUTIONS FOR HANDLING ELECTROSTATIC SENSITIVE DEVICES.</p>

Disposal of Electrical and Electronic Equipment

In conformance with the European Directive 2012/19/EC on Waste Electrical and Electronic Equipment (WEEE) this device may not be disposed of in domestic waste. This also applies to countries outside the EU, per their specific requirements.



Please dispose of this product in accordance with local regulations at the collecting point specified for electrical and electronic equipment.

If you have any questions, please contact the responsible authority or the distributor from which you purchased this device.

Should this device be passed on to other parties (for private or professional use), the content of this regulation must also be related.

Thank you for your contribution to environmental protection.

1 Introduction

The IND9U terminal is a specialized solution used for vehicle weighing in situations in which the processing of vehicles is carried out in an “unattended” manner, without operator support. The terminal is available in two specifications:

- The IND9UT includes a full Windows 10 PC, and can run any Windows software, including the DataBridge® web browser.
- The IND9UT-DB includes a single-board computer which runs Linux and supports the use of DataBridge software only.

Both types are used to process truck transactions.

The IND9UT-DB uses a software package to network to a PC and includes a touch-screen display mounted on the enclosure; the IND9US uses a TaskExpert™ program running on an indicator mounted in the terminal.

Each of these systems can be configured with various options such as keyboards, printers, and indicators (IND570 and IND780), depending on the customer’s needs.



Figure 1-1: IND9UT-DB (left) and IND9US (right) Terminals

The information included in this manual is intended to assist in the installation and configuration of the METTLER TOLEDO Unattended Data Terminal (IND9U). Please read the information thoroughly before beginning installation. Only qualified technicians should perform internal wiring, option installation and programming.

1.1. Model Identification

The model number and serial number are located on the data plate on the side of the terminal. Except for **System Type**, this chart refers to all versions; for details on where the IND9UT-DB configuration differs, refer to section 1.1.1.

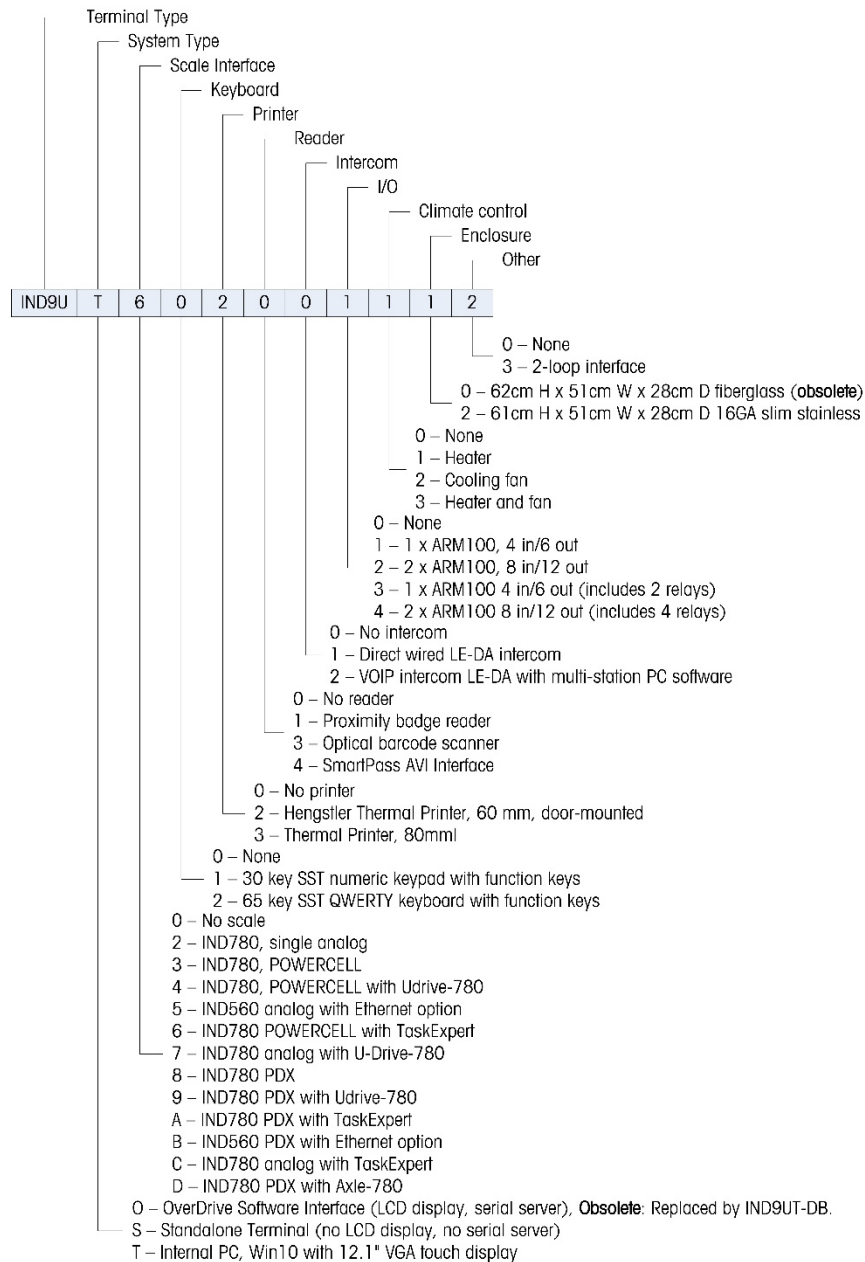


Figure 1-2: IND9U Model Identification Numbers

1.1.1. IND9UT-DB Configurations

The IND9UT-DB is available in two configurations – with (p/n 30723015) and without (p/n 30723016) printer. Both IND9UT-DB versions use a Linux operating system designed to work with METTLER TOLEDO DataBridge software only.

1.2. Internal Components

Figure 1-3 shows a representative example of the layout of the main components inside an IND9UT-DB enclosure, with a touchscreen DataBridge interface. Layout will vary depending on system configuration.

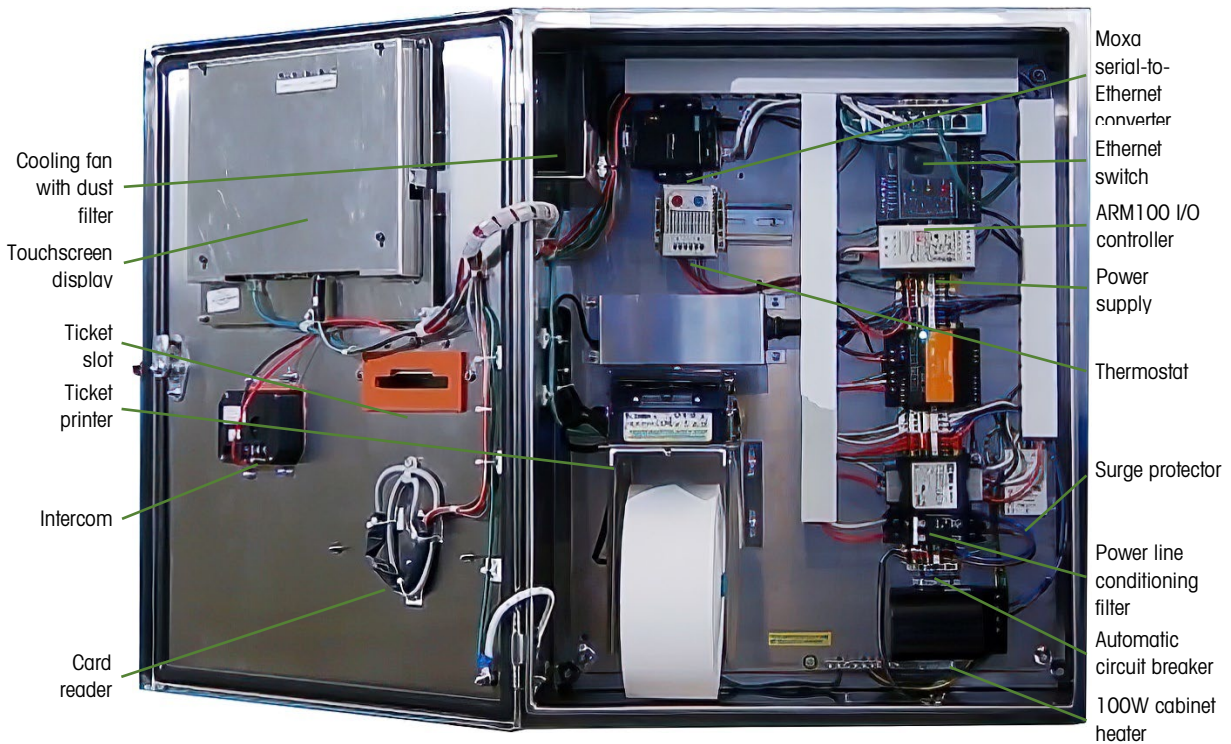


Figure 1-3: IND9UT-DB Internal Layout with Touchscreen

- Figure 1-3 shows an IND9UT-DB with optional features such as a cooling fan. Other configurations are possible, including components such as a fiber optic ethernet converter.

1.3. Specifications

1.3.1. Physical Dimensions

The dimensions of the IND9U enclosures are indicated in Figure 1-4.



Figure 1-4: Dimensions, Slim Stainless Steel Enclosure

1.3.2. Power Requirements

CAUTION

BEFORE CONNECTING/DISCONNECTING ANY INTERNAL ELECTRONIC COMPONENTS OR INTERCONNECTING WIRING BETWEEN ELECTRONIC EQUIPMENT ALWAYS REMOVE POWER AND WAIT AT LEAST THIRTY (30) SECONDS BEFORE ANY CONNECTIONS OR DISCONNECTIONS ARE MADE. FAILURE TO OBSERVE THESE PRECAUTIONS COULD RESULT IN DAMAGE TO OR DESTRUCTION OF THE EQUIPMENT AND/OR BODILY HARM.

The IND9U terminal requires an input power source of 220 VAC or 115 VAC. Rated current draw is nominally 6A (115 VAC) or 3A (220 VAC), but varies depending on which options are installed. Refer to the electrical rating tag on the side of the enclosure for the appropriate control voltage. All systems are fused for 6 Amps.

Instrumentation power should be provided by a separate branch circuit that is not shared with any 'noisy' equipment such as motors, welders, etc. 100-240 VAC, 50-60 Hz, 6 A max.

For safety, a solid earth ground is required.

1.3.3. Operating and Storage Environment

The standard IND9U (without printer) can be operated at temperatures ranging from -10°C to +40°C (14°F to 104°F). When a printer is used, the minimum operating temperature without an optional heater is 5°C (41°F). When using the optional heater, the minimum operating temperature is -30°C (-22°F). The storage temperature is -20°C to +60°C (4°F to 140°F).

1.3.4. Hazardous Areas



The IND9U is not intrinsically safe and must not be operated in areas classified as hazardous by the National Electric Code (NEC) because of the combustible or explosive atmospheres in those areas. Contact your authorized METTLER TOLEDO representative for information about hazardous applications.

1.4. Configuration with Printer

When a printer is required, a print server is included with the printer. A multi-port Ethernet switch allows the DataBridge™ PC to communicate with the IND terminal, Ethernet/serial converters, VOIP intercom and printer on a single Ethernet drop line. The USB print server also bridges the Ethernet interface of the DataBridge™ PC to a USB interface on the printer.

1.5. Primary/Remote Operation

Unattended IND9US configurations that require an inbound and outbound terminal on a single scale must use a primary/remote configuration. This can be created using the IND780's clustering technology, which enables the 'remote' terminal to write its serial peripheral information to the 'primary' terminal. When setting up an IND9UT-DB with multiple terminals, it is only necessary to configure the IP address for each terminal, as detailed in the **DataBridge™ Software User's Manual**.

1.6. Options and Accessories

The IND9U is available in two different cabinets:

- IND9UT and IND9US: 610mm x 354mm x 254mm (24" x 10" x 10")
- Optionally: 762mm x 354mm x 254mm (30" x 24" x 10")

* A fan and/or heater (100W or 150W) can be installed in any of the enclosures.

Each can be equipped with a variety of options and accessories. Depending on installed options, some configurations require the larger cabinet. Refer to Chapter 3 of this manual, **Parts and Accessories**, for a complete list of available items.

1.6.1. LCD Display

The display includes a 12.1 inch LCD with resistive touch panel, a maximum LCD resolution of 1024x768, and an HDMI or VGA interface.

1.6.2. Keyboard

The keyboard is factory-programmed, stainless steel and IP65 rated from Dekorsy. It includes a PS/2 cable and the keys are coated at MTWT to prevent corrosion.

1.6.3. Printer

Three types of thermal printer are available, two kiosk-style and one door-mounted. The kiosk types use an RS-232 or Ethernet interface and an 80mm wide paper roll. The door-mounted printer is made by Hengstler and uses a 60mm paper roll.

1.6.4. Reader

An AWID RFID proximity card reader with LED status indicator can be installed on the front door of the IND9U.

A barcode/QR code scanner can be installed on the front door of the IND9U.

A SmartPass AVI interface (power and COM isolation only) can be installed inside the IND9U.

1.6.5. Intercom

An AIPhone model LE-DA intercom speaker can be installed in the front door of the IND9U, and can be connected to a base station via direct wiring, or via an Ethernet VOIP connection.

1.6.6. I/O

An ARM100 I/O module is available for mounting inside the IND9U. The ARM100 provides four inputs and six outputs, and communicates via an RS-485 link.

1.6.7. Wireless Communication Kit

The WiFi kit is a field-installed end-to-end pre-programmed accessory kit (30500111).

1.6.8. 2-Loop Interface

A Reno A&E AX2 series two-channel loop detector can be DIN rail-mounted inside the IND9U.

2 Installation

2.1. Overview

This chapter explains how to install the IND9U terminal. Please read this information thoroughly before you begin installation.

- Please inspect the package thoroughly upon receipt from the carrier.
- If the shipping container is damaged, check for internal damage and file a freight claim with the carrier if necessary.
- If the container is not damaged, remove the terminal from its protective package, noting how it was packed, and inspect each component for damage.

If you need to ship the driver station, it is best to use the original shipping container. It must be packed correctly to ensure its safe transportation.

2.2. Unpacking Inspection

2.2.1. Contents Checklist

The following items are included with each IND9U:

- IND9U terminal
- Documentation CD-ROM
- Printed enclosure assembly drawing with wiring diagram
- 1 roll of paper (if printer ordered)

Other items may be included, depending on the configuration of the IND9U ordered. Refer to Figure 1-2, in Chapter 1, for the terminal's specification.

2.2.2. Inspection

Once the terminal is unpacked, open the enclosure to check for damage that may have occurred during shipment. In particular, if a Star printer is installed, check that it is properly secured and intact – refer to Printer Setup and Preparation for Shipping on page 20 for details.

Before applying power to the terminal, remove all shipping restraints (plastic cable ties) from the printer.

2.3. Mounting the Enclosure

The IND9U is intended for pole or wall mounting in either an indoor or outdoor environment. The enclosure should be mounted using the four brackets attached to the enclosure, two on the top and two on the bottom. Note that stainless steel cabinets are supplied with stainless steel mounting feet. Cabinets are shipped with mounting feet installed.

Stainless Steel

Fiberglass



Figure 2-1: Cabinet Mounting Feet

- The diameter of the holes indicated in Figure 2-1 is 0.41”.

The IND9U is designed to mount on a flat surface. Depending on the surface to which it is mounted, fasteners may include wood screws, concrete wall anchors and dry-wall anchors.

2.3.1. Preparation for Mounting

To prepare the IND9U for wall mounting, follow these steps:

- Mark attachment points
- Mount terminal on brackets

Use the cabinet, with its attached feet, as a template to mark the position of the mounting holes on the mounting surface.

Once the mounting hole positions are established, perform one of the following procedures, depending on the type of wall surface.

- Note: The hardware to mount the terminal to the vertical surface is not included with the terminal – it must be supplied locally. Ensure that the mounting hardware is capable of supporting the weight of the terminal, which is approximately 60 lb (27 kg).



CAUTION

WHEN CARRYING OUT THE FOLLOWING PROCEDURES, WEAR PROPER BODILY PROTECTION, SUCH AS APPROVED SAFETY GOGGLES, EAR PROTECTORS AND GLOVES.

2.3.2. Wall Mounting, Concrete and Cement Blocks

When mounting the IND9U to a cement block, poured concrete or similar wall, the recommended mounting bolt is:

- UL-listed concrete sleeve anchor, size 1/4" (6 mm), minimum embed 1/2" (12.7 mm), minimum pullout force of 500 lb (266 kg).

Figure 2-2 shows an example of mounting hardware.



Figure 2-2: Sample Mounting Hardware, Concrete or Cement

1. Drill a hole through each of the measurements/locations you marked in the Preparation for Wall Mounting section. Use a carbide bit conforming to ANSI B94, 12-77 with the same size bit as anchor diameter (typically 5/16" [8 mm]). The depth of the hole should be deeper than 1/2" (12 mm).
2. Clean the holes with a wire brush.
3. Make sure the head of the bolt is flush with the top threaded part of the anchor then insert the anchor assembly through the mounting hole in the bracket and into the base material.
4. Push anchor assembly until washer is snug against the wall.
5. Tighten each bolt with a wrench (use a screwdriver for flat/round heads), approximately three or four full turns or until anchor is tightly secured to the base material.

2.3.3. Wall Mounting, Wood Surface

When mounting the IND9U to a wooden wall or similar surface, use four #12 screws of at least 1 1/4" (30 mm) length, each with a flat washer of minimum 1/2" (12 mm) diameter.

2.3.4. Positioning Terminal on Fasteners

Place the fasteners through the holes in the enclosure mounting brackets and insert them into the holes drilled to receive them. Tighten the bolt to expand the toggle nut, and continue tightening until the bracket is snug against the surface. Figure 2-3 shows the relationship between bracket, hardware and wall.

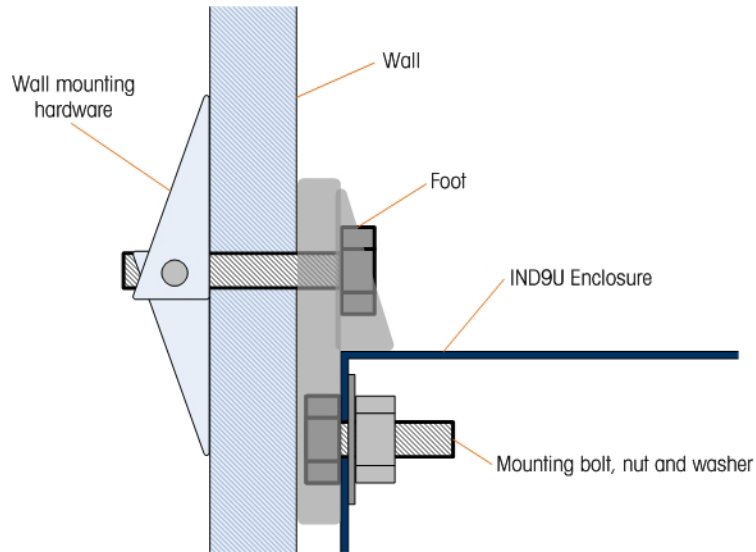


Figure 2-3: Wallboard or Drywall Installation

Periodically inspect the enclosure to insure that it is securely anchored to the wall. If it is not, retighten the mounting bolts.

2.3.5. Pole Mounting

A pole-mount kit (part number 64050167), can be used with the stainless steel cabinet.

Figure 2-4 shows an exploded view of the kit's components in a typical installation.

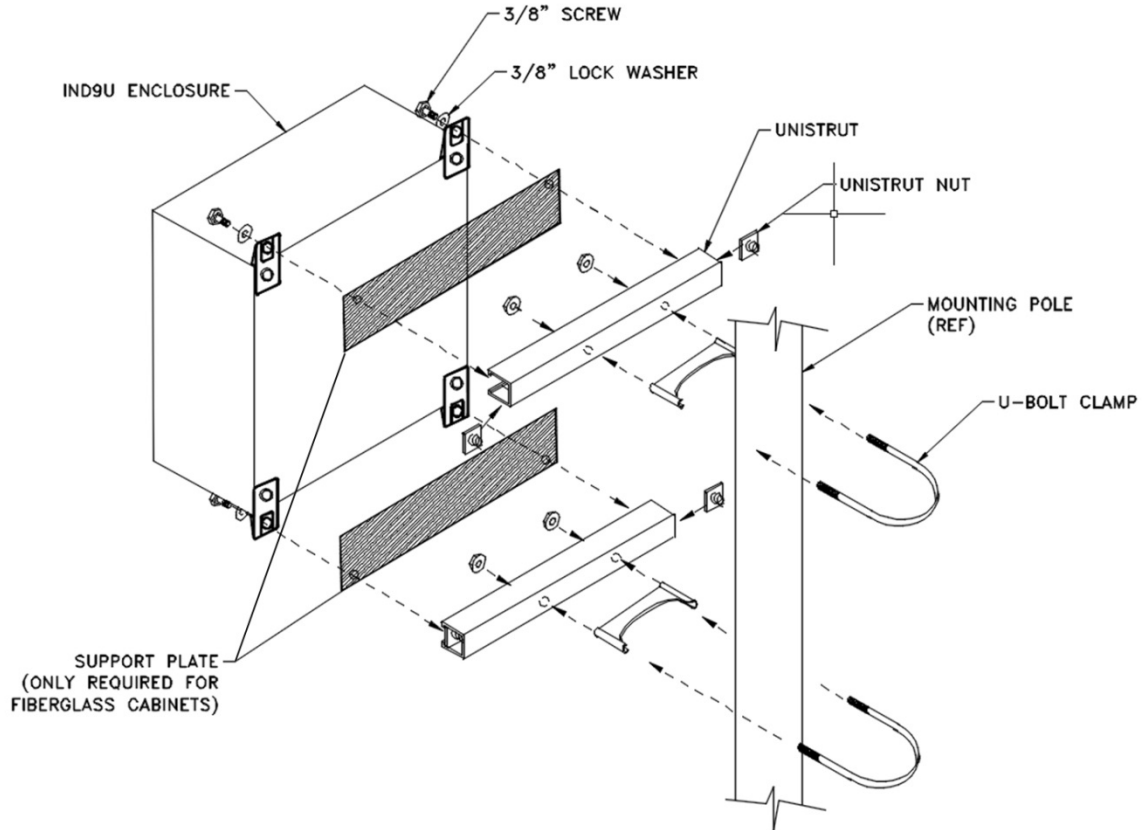


Figure 2-4: Pole-Mount Kit Components

2.3.6. Vent-Blocking Subassembly

Two 4.6" x 4.6" square plates are provided with each IND9U, shipped in the documentation package. They can be installed inside the cabinet, over the two vents to help block cold air from entering the cabinet in cold, windy weather. Remove the plastic cover from each foam filter kit, place the vent-blocking plate in the opening, and snap the cover label back on. Be sure the side with the white and yellow labels is facing the inside of the cabinet so that the labels can be read. Remove the vent blocking plates when outdoor temperatures exceed 10°C (50°F).

2.4. Cable Entrances

Cable entrances are site- and application-specific. Holes for cable entry are made when the terminal is installed. In general, cables enter the IND9U enclosure through cable grips in the bottom of the cabinet.

2.4.1. Cable Grips

The cable grips should be assembled and grounded as indicated in Figure 2-5.

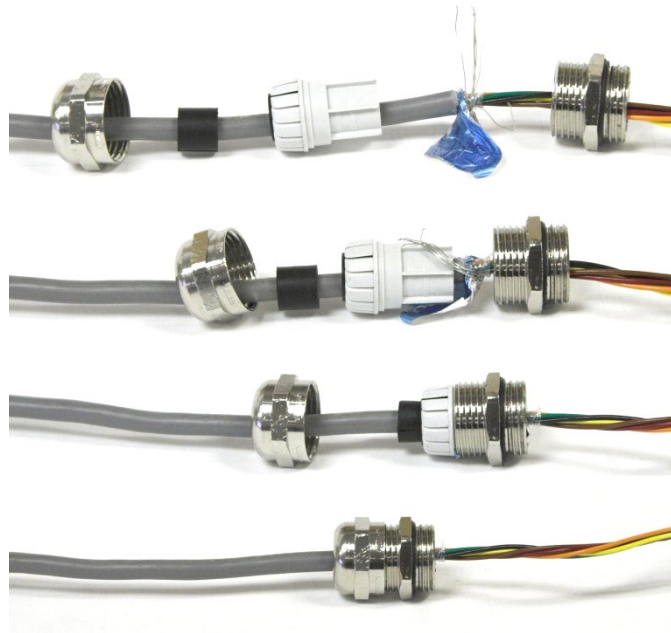


Figure 2-5: Cable Gland Assembly

2.5. Installing Cables and Connectors

2.5.1. Wiring Connections for Instrument Power

All IND9U configurations come with provisions to provide power to the weighing terminal. Instrument power will always be labeled X1, X2 and GND.

- X1 is live on a single-phase system
- X2 is either neutral in a single-phase system, or L2 in a two-phase system
- GND is earth ground regardless of the power distribution

For best system performance, instrument power must be connected to a clean, dedicated AC branch circuit. Avoid running power lines in a conduit that also carries lines to “noisy” AC equipment such as motors, welders and solenoids.

X1 and X2 are fused with 6A 250VAC circuit breakers. Once X1 and X2 have been fused, the labels are changed to 1 and 2 to denote that the circuit is protected.

For best performance, do not add any other AC inductive loads to the Instrument Power.

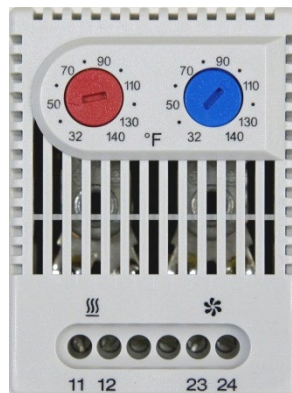
2.5.2. Wiring Connections for Control Power

On IND9U systems that have switched output loads such as line voltage traffic lights, gates, etc, a power connection is provided. Control power is identified as terminal blocks with 1, 2 and GND labels.

- 1 is hot on a single phase system
- 2 is either neutral in a single phase system, or L2 in a two phase system
- GND is earth ground regardless of the power distribution.
- Field wiring should have insulation rated to at least 90°C.

2.6. Temperature Settings for Optional Thermostat

If the IND9U is equipped with the optional environment control system and dual thermostat, the thermostat should be set as indicated in Figure 2-6.



Left (red) dial: 50°F
Right (blue) dial: 100°F

Figure 2-6: Settings for Dual Thermostat

Two other thermostats are available – one for a heater only, one for a fan only. The settings for these should be the same as for the left and right dials, respectively, shown in Figure 2-6.

2.7. Wiring Connections for Digital I/O Options

An ARM100 remote I/O module may be installed in the IND9U. With the exception of line voltage inputs, which must be isolated, all I/O points will originate or terminate at the ARM100 terminals. The following sections detail these connections, including:

External Power Source	Inputs
Serial Port	Outputs

2.7.1. External Power Source

In order to meet electrical approval requirements and to protect the ARM100 from external influences, only a Class 2 external power supply should be connected as the power source to the ARM100.

- The integrity of the power ground for equipment is important both for safety and for dependable operation of the ARM100 module. A poor ground can result in an unsafe condition should an electrical short develop in the equipment. A good ground connection also minimizes extraneous electrical noise pulses.

Connect the positive lead from the 10 to 32 VDC external power source to the +24V terminal and the negative lead from the power source to the Ground (Gnd) terminal on the ARM100, shown in Figure 2-7.



Figure 2-7: Power Connections

2.7.2. Serial Port

The bi-directional serial port on the ARM100 provides a connection for RS-485 only. Connect the two RS-485 network wires to the two terminals on the ARM100 as identified in Figure 2-8.

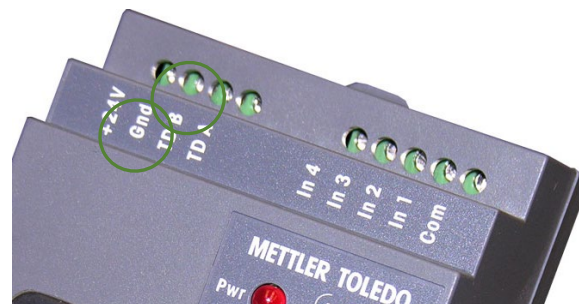


Figure 2-8: Serial Port Connections

An example of wiring two ARM100 modules to an IND570 terminal is shown in Figure 2-9 and Table 2-1.

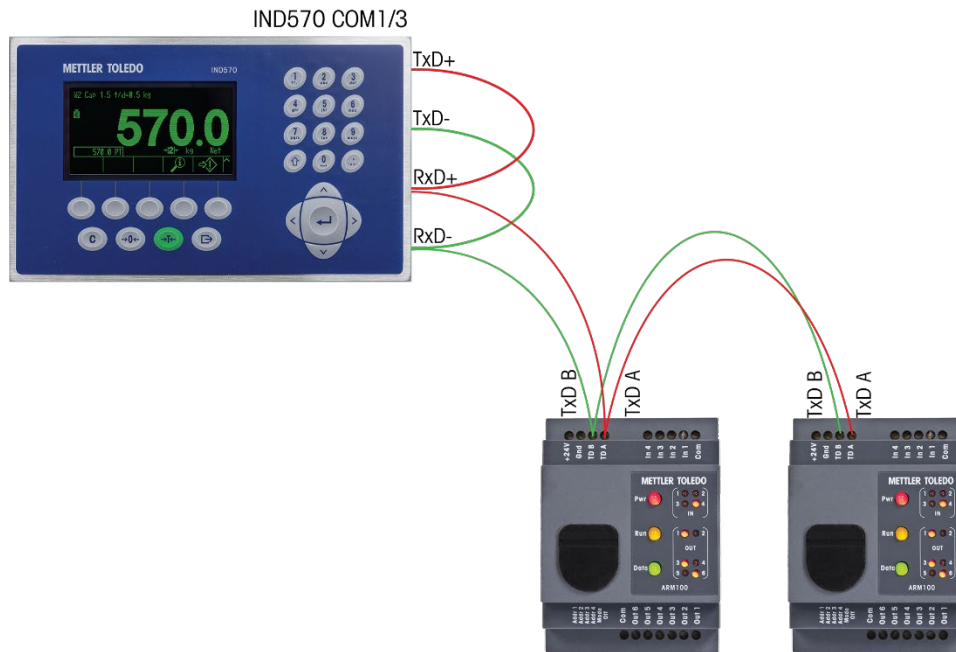


Figure 2-9: Wiring Example

Table 2-1: Serial Port Wiring Details

Terminal				
IND570/IND780	IND690	ARM100 #1	ARM100 #2	ARM100 #n
TxD+	TxD+/RxD+	TxD A	TxD A	TxD A
* TxD-	TxD-/RxD-	TxD B	TxD B	TxD B
RxD+	*			
RxD-				

* The IND570 and IND780 require two jumper wires, as indicated above.

2.7.3. ARM100 DIP Switch Settings

The DIP switches located behind the rubber flap on the front of the ARM100 should be set as shown in Figure 2-10.

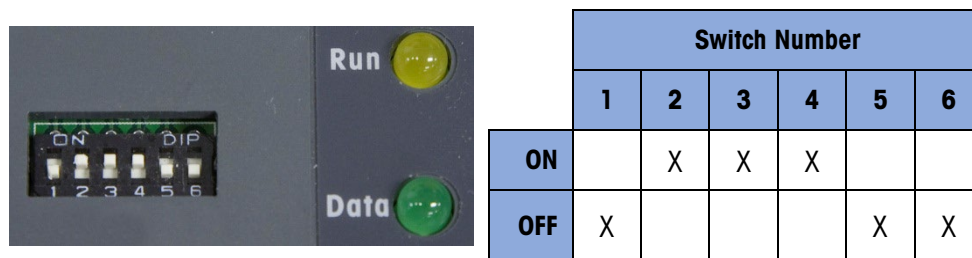


Figure 2-10: DIP Switch Settings for Single ARM100

	Switch Number					
	1	2	3	4	5	6
ON	X		X	X		
OFF		X			X	X

Figure 2-11: DIP Switch Settings for Second ARM100

2.7.4. Inputs

A terminal is provided for each of the four discrete inputs and also for the common connection to all inputs. These terminals are shown in Figure 2-12.



Figure 2-12: Discrete Inputs

The inputs to the ARM100 are passive. This means that an external voltage source must be provided to supply power to trigger an input. This enables other devices such as PLCs to provide the trigger voltage (from 5 to 30 VDC at 10 mA max.) to turn the inputs "on". The logic ground from the external device must be connected to the common of the ARM100 inputs. In order to use a pushbutton switch with these inputs, an external power source must also be provided. An example of wiring to the passive inputs is shown in Figure 2-13.

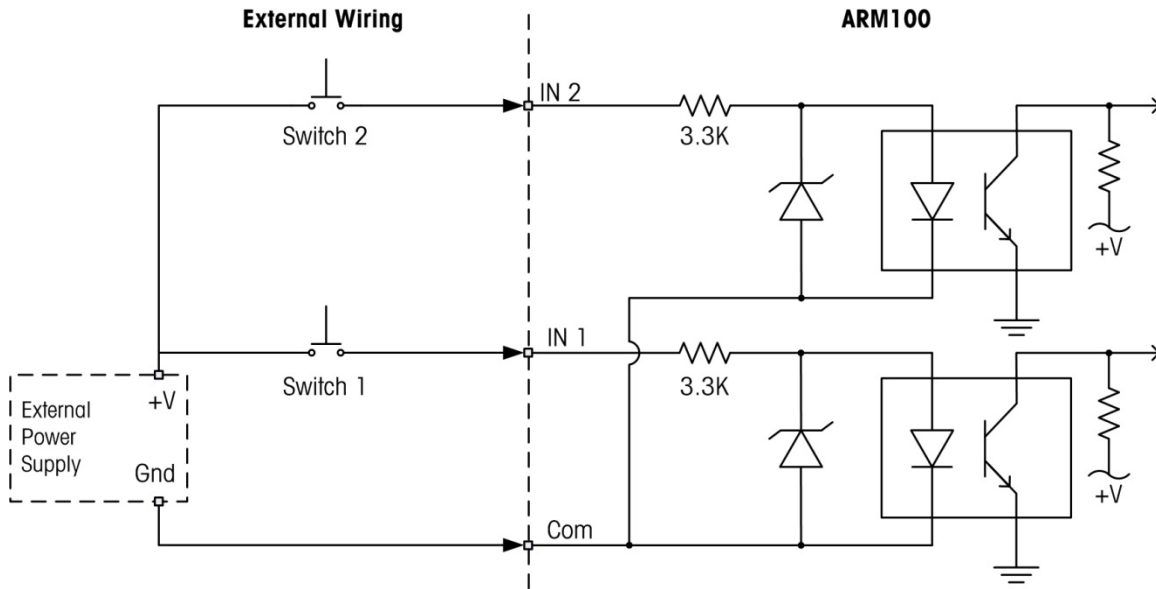


Figure 2-13: Input Connection Wiring

2.7.5. Outputs

A terminal is provided for each of the six dry-contact outputs, and also for the common connection to all outputs. These terminals are shown in Figure 2-14.



Figure 2-14: Discrete Outputs

Each relay output can switch from 24 to 280 VAC, or from 5 to 30 VDC at 1A maximum. Total current of all relays must be limited to 3A. The relay outputs are not polarity-sensitive since they are dry contacts. An example of wiring to the outputs is given in Figure 2-15.

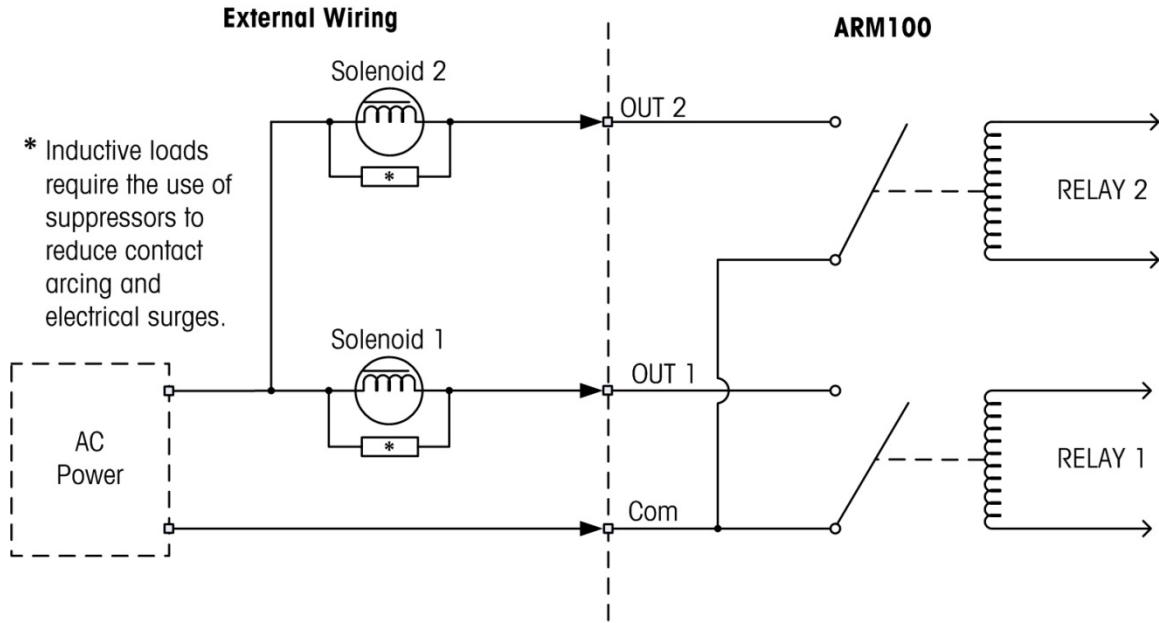


Figure 2-15: Output Connection Wiring

2.8. Printer Setup and Preparation for Shipping

2.8.1. Star Printer

2.8.1.1. Paper Loading

- Note: This procedure assumes that the printer is powered, in order to allow it to feed the newly-loaded paper.
1. To load paper into the printer, the entire print head must be rotated forward by lifting up on the large, central green handle (Figure 2-16) to disengage the latch, then pulling forward.

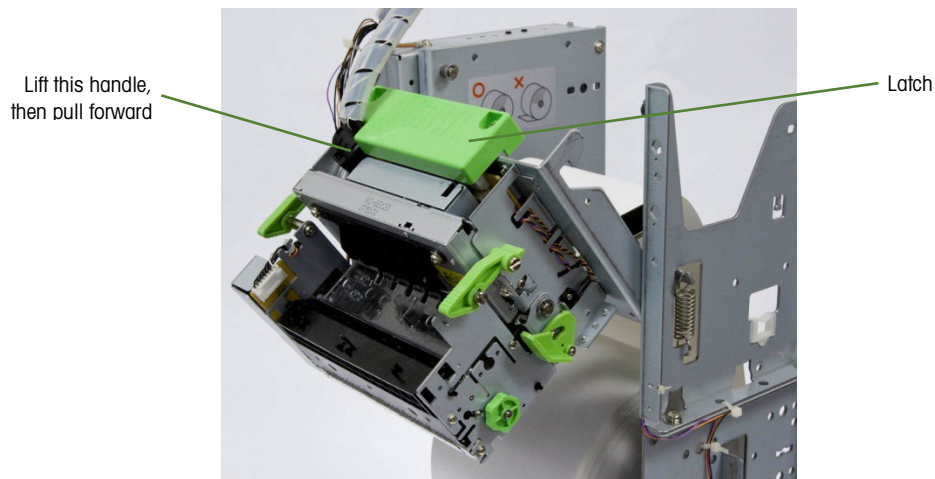


Figure 2-16: Star Printer, Print Head Released for Paper Loading

2. The paper spindle rests in two U-shaped slots. With the print head tilted forward, lift the spindle up and out.

3. Slide the new roll of paper onto the spindle.
4. Place the ends of the spindle back into the U-shaped slots, noting the orientation of the paper – its end of directed forward from the top of the roll, as illustrated on the inner side of the printer.
5. To feed the paper through the print head, slide its cut end onto the stainless steel plate and move it forward into the black slot, until the photo-eye senses it; the printer will then feed the paper automatically to the ready position.
6. Return the print head assembly to its upright position (Figure 2-17).

When paper is loaded into the printer, there should be some slack in the roll whenever the printer is not printing – see Figure 2-17.



Figure 2-17: Properly Loaded Paper Roll

The paper must roll freely; add a small amount of lubricant to the roller bearings if necessary.

2.8.1.2. Low Paper Sensor Position

The low paper sensor should be positioned close to the center of the paper roll, but must not interfere with the rotating spindle. Loosen the thumbscrew indicated in Figure 2-18 to adjust the position of the sensor.

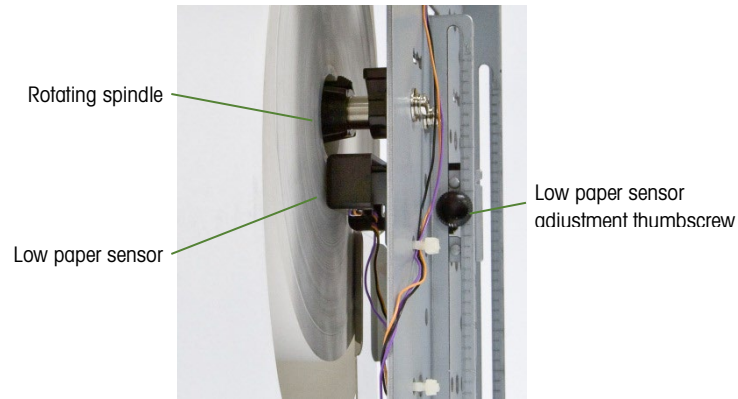


Figure 2-18: Low Paper Sensor Position

2.8.1.3. Clearing Paper Jams

If the paper jams in the print head, open the print head. Pull up on the two small green latches (one indicated at left in Figure 2-19), pull the lower green latch down (indicated at center in Figure 2-19), then tilt the front part of the printer head forward.

■ Note: These latches are released only to clear jams, not to load paper.

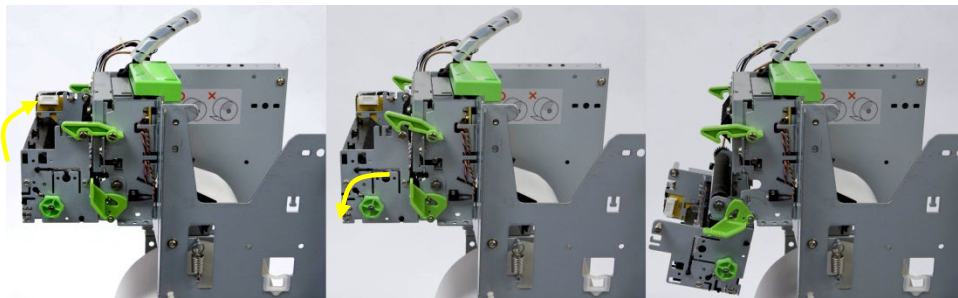


Figure 2-19: Printer Head Closed (left), Unlatched (center) and Open (right)

With the print head open, paper can be pulled through until the paper path is cleared. Close the print head by pushing it up into place and snapping the two latches down.

2.8.1.4. Preparation for Shipment

NOTICE

FAILURE TO SECURE THE PRINTER'S COMPONENTS BEFORE SHIPMENT COULD RESULT IN DAMAGE TO OR DESTRUCTION OF THE EQUIPMENT.

Before the printer can be shipped, its components must be secured using plastic wire-ties. Failure to secure these components will result in mechanical damage to the printer during shipping.

In Figure 2-20, two small white plastic wire-ties are seen securing the paper spindle to the frame of the printer, while two larger black ties are connected to hold the print head in place.

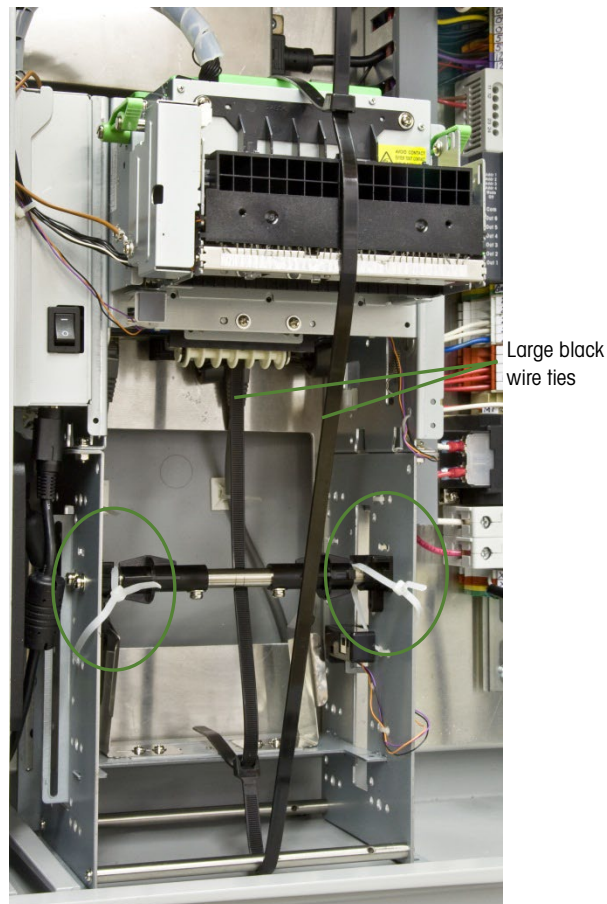


Figure 2-20: Star Printer Secured for Shipment

2.9. Closing the Enclosure

To ensure that the IND9U enclosure provides continuous protection against the entry of moisture and dust, be sure the following steps should be taken:

1. Ensure cord grips are appropriate for the outer diameter of the cable used. If there is too much gap, replace the cord grip with an appropriate size of grip.
2. If a cord grip is not being used, be sure to install a plug to prevent debris from entering the enclosure.
3. When adding cable entrances, avoid placing them in the top surface of the enclosure. Whenever possible, the bottom of the enclosure is the preferred location for cable entrances. Sides are the next best choice.
4. Be sure that the half-turn latch (Figure 2-21) is completely engaged when the enclosure door is closed. Watch for field-installed cabling getting caught in the door gasket. This can cause damage to the wire, and will also produce gaps in the seal, allowing moisture and debris into the enclosure.



Figure 2-21: Lockable Latch for Stainless Steel Enclosures – Slim (left) and Heavy Duty (right)

3 Parts and Accessories

3.1. Parts

3.1.1. Cables

64042152	Ethernet patch harness, 12 inches
64067149	Ethernet cable, 3 feet
64077017	Ethernet cable, 6 inches
71211075	USB PS60 cable
64087869	MOXA, keyboard, display, AWID harness
64079395	+5V display power cable assembly
64080690	DB9F to ARM100 cable assembly
64080708	Outdoor Cat 5E Ethernet patch cable

3.1.2. Protection

64090245	277 VAC surge protector
64080298	2P, 6A, UL489 circuit breaker
64079748	Cosel 10A DIN-mount line filter
64063297	B&B Electronics RS-232 isolator

3.1.3. Power Supplies

64090846	DIN-mount power supply, 5 V, 15 W
64090847	DIN-mount power supply, 12 V, 30 W
64090849	DIN-mount power supply, 12 V, 15 W
64090848	DIN-mount power supply, 24 V, 60 W

3.1.4. Ethernet Switches

64086036	Ethernet Switch, 8-port, 5V PWR
30084876	Ethernet Switch, 5-port, DIN-mount, MOXA
64063233	Ethernet Switch, 5-port, DIN-mount, Weidmuller

3.1.5. I/O Modules

64050435	Input module, 4-32 VDC, DIN-mount, No. 91F2039
64054153	Input Module, 90-140 VAC, DIN-mount
64056872	Input Module, 180 to 280 VAC DIN-mount
64050436	Output Module, 5-60 VDC, DIN-mount
64050663	Opto Output Module, 12 to 280 VAC, 5A, DIN-mount

3.1.6. MOXAs

64067147	Port Server, NPORT 5110, RS-232 to Ethernet
64067148	Port Server, Single, NPORT 5130, RS-485 to Ethernet

3.1.7. Touch Display

30612455	Touch panel / LCD assembly used on IND9UT
30648779	Touch panel / LCD assembly used on IND9UT-DB
30722245	Replacement programmed uSD card for IND9UT-DB LCD assembly
30665936	Replacement USB male -> male cable assembly for LCD touch panel assembly IND9UT
30587889	Replacement LCD bezel, stainless steel
30126813	Replacement gasket for LCD bezel
30076985	Replacement power cable with barrel plug for LCD assembly

3.1.8. Thermostat

64057479	LV. Thermostat for fan
64067157	LV. Thermostat for heater
64067158	STEGO Dual Thermostat, Heat/Cool

3.1.9. Printer Hood

64083558	Small SST rain hood
64088878	Gasket for small rain hood
64085088	Paper exit cover, V-O material, IND9U
64087460	Gasket for small printer cover

3.1.10. Component Covers

64091102	AC connection cover, Plexiglas
64091104	Heater and thermostat cover
64091106	Heater and thermostat bracket

64091103 DIN rail component cover, Plexiglas

3.1.11. Surge Suppressor Mounting Kit

64089850 Surge suppressor mounting kit

3.2. Accessories

The following IND9U parts are available for purchase from METTLER TOLEDO.

3.2.1. General Accessories

64050167	Enclosure Pole Mounting Kit (610mm width Max.)
64086166	Fiber Enclosure Pole Mount Support Plate (2 required)
64050466	25 AWID Proximity RFID Cards
64050168	102mm diameter 305 cm Pole Kit (Max. 100 kg Load)
64050169	102mm diameter 183cm Pole Kit (Max. 100kg Load)
64050170	183cm, 102mm diameter traffic pole only
64050171	305cm, 102mm diameter traffic pole only
64055081	Enclosure Swivel Arm Kit
64066557	Photoeye kit (Banner), DC voltage
30500111	Wireless End-to-End Kit, 5 GHz
64087938	Wireless RS232 Serial kop (one end only), MOXA and WiFi
64055604	SST Sun Shield with pole mount bracket
64052105	Roadway Loop Kit
30247417	Roadway Loop Kit with pre-formed loop
30255574	Outdoor Video Camera Kit, 3MP, TCP/IP
64065170	On-Line UPS, 1000VA, 800W, 115 VAC
30243719	On-Line UPS, 1000VA, 800W, 230 VAC
64052037	SmartPass4, AEI reader, RS232
64051134	Bracket, SmartPass, Wall, 54-1620-001
64051453	5 foot cable for SmartPass Reader to Jbox
64069679	Stainless Steel JBox for SmartPass cables
64064834	Cable, 6 conductor, AEI (SmartPass power + data)
64050491	Transcore full-frame, AT5412 tag, passive

64084650	Traffic Light, R/G, 203mm, LED, w/mounting hardware (red/green)
64089951	Pole Kit 76mm dia., 183cm length (25kg Max Load)
64089786	Pole Kit 76mm dia., 183cm length (12kg Max Load)
64089931	Pole Extension Hardware, 76mm or 102mm dia. poles (for WiFi)
64089984	38mm SCH40 aluminum pole, 152cm long, for pole extension
64089985	38mm SCH40 aluminum pole, 305cm long, for pole extension
64052143	3 unit intercom base station for LE-DA
64084550	5 unit HD intercom base station for LE-SS
64061353	1 unit VoIP intercom base station (wall mount, 120v)
64065369	1 unit VoIP intercom base station (wall mount, 220v)

3.2.2. Keyboard/Keypad

64066213	Dekorsy 65-key stainless steel keyboard, USB/PS2, for stainless steel cabinet
64067139	PS2 to RS-232 keyboard adapter
64056740	30-key numeric keypad, 30T-ES, Custom – PS2
64067140	30-key numeric keypad, 30T-ES – RS-232
64067141	Gasket for 30-key keypad

3.2.3. Printers

Star 45-80mm	30082936	TUP592 printer assembly, vertical, Ethernet	Ethernet
	30082937	TUP592 printer assembly, vertical, RS-232	RS-232
	64066380	Thermal paper roll, 80mm, 7.5" diameter	
Hengstler	64067154	Hengstler thermal printer, RS-232	RS-232
	64067155	Hengstler thermal printer, USB	USB
	64066227	Thermal paper roll, 60mm	
	64065662	Power supply assembly, 100-240 VAC/24 VDC	
	64067152	USB 2.0 print server	

3.2.4. Readers

Badge	64049138	RF reader
	64053613	Proximity reader, gasket

3.2.5. Barcode Scanner

30555317	Barcode and QR code scanner
----------	-----------------------------

64080044 Window for barcode scanner

3.2.6. Intercom

64049831 Intercomm (AIRPHONE) NO. LE-DA

64055889 Gasket - UADT intercom

64085104 Gasket, I-COM mounting

64084558 AIRPHONE Intercomm,LE-SS, Panel mount

64065144 VOIP Intercomm IP7-STX, DIN-mount

3.2.7. ARM

71209352 ARM100 Remote I/O

3.2.8. Heaters

30398413 Heater, 100W, 100-240 VAC

30398414 Heater, 150W, 100-240 VAC

3.2.9. Vent/Fan

64077274 Louver vent panel, SST, FIN PER 141714R

64077276 Vent panel gasket, 4.625" x 4.625"

64067142 Aluminum vent filter

64054988 Filter Kit for UADT Vent

64084037 Axial DC fan, DAYTON 6KD70

30216996 Vent Blocking Subassembly (for cold weather)

3.2.10. Loop Detector

64058635 DIN rail, 11-pin socket

64067194 2-channel DIN-mounted Loop detector, 11 pin socket, 12VDC

IND9U

Terminal de pesaje para vehículos sin vigilancia



IND9U Terminal de pesaje para vehículos sin vigilancia

METTLER TOLEDO Service

Enhorabuena por elegir la calidad y precisión de METTLER TOLEDO. El uso adecuado de su nuevo equipo siguiendo este manual, y la calibración y mantenimiento regulares por parte del equipo de servicio formado en fábrica garantizan un funcionamiento fiable y preciso, protegiendo su inversión. Póngase en contacto con nosotros acerca del acuerdo de servicio ajustado a sus necesidades y presupuesto. Hay más información disponible en www.mt.com/service.

Existen varias maneras importantes de garantizar que usted maximizará el rendimiento de su inversión:

3. **Registre su producto:** Le invitamos a registrar su producto en www.mt.com/productregistration para que podamos ponernos en contacto con usted si hubiera mejoras, actualizaciones y notificaciones importantes relacionadas con su producto.
4. **Póngase en contacto con METTLER TOLEDO para obtener servicio:** El valor de una medida es proporcional a su precisión: una báscula fuera de las especificaciones puede disminuir la calidad, reducir las ganancias y aumentar la responsabilidad. El servicio oportuno por parte de METTLER TOLEDO garantizará precisión y optimizará el tiempo de funcionamiento y la vida útil del equipo.
 - a. **Instalación, configuración, integración y formación:** Nuestros representantes de servicio reciben una capacitación en fábrica y son expertos en equipos de pesaje. Nos aseguramos de que el equipo de pesaje esté listo para la producción de manera rentable y oportuna y de que el personal esté formado para obtener resultados exitosos.
 - b. **Documentación de calibración inicial:** Los requisitos de aplicación y del entorno de instalación son únicos para cada báscula industrial. Su rendimiento se debe comprobar y certificar. Nuestros servicios y certificados de calibración documentan la precisión para garantizar la calidad en la producción y para proporcionar un registro de rendimiento del sistema de calidad.
 - c. **Mantenimiento periódico de calibración:** El acuerdo de servicio de calibración proporciona confianza en el proceso de pesaje y documentación de cumplimiento de los requisitos. Ofrecemos diversos planes de servicio que se programan para satisfacer sus necesidades y están diseñados para ajustarse a su presupuesto.

© METTLER TOLEDO 2022

Ninguna parte de este manual puede ser reproducida o transmitida en ninguna forma y por ningún medio, electrónico o mecánico, incluyendo fotocopiado y grabación, para ningún propósito sin permiso por escrito de METTLER TOLEDO.

Derechos restringidos del Gobierno de los Estados Unidos: Esta documentación se proporciona con Derechos Restringidos.

Derechos de autor 2022 METTLER TOLEDO. Esta documentación contiene información patentada de METTLER TOLEDO. Esta información no puede copiarse total o parcialmente sin el consentimiento expreso por escrito de METTLER TOLEDO.

METTLER TOLEDO se reserva el derecho de refinar o cambiar el producto o el manual sin previo aviso.

DERECHOS DE AUTOR

METTLER TOLEDO® es una marca registrada de METTLER TOLEDO. Todas las demás marcas o nombres de productos son marcas comerciales o registradas de sus respectivas compañías.

METTLER TOLEDO SE RESERVA EL DERECHO DE HACER REFINACIONES O CAMBIOS SIN PREVIO AVISO.

Aviso de la FCC

Este dispositivo cumple con la Parte 15 de las Pautas de la FCC y los Requerimientos de Radio-Interferencia del Departamento Canadiense de Telecomunicaciones. La operación está sujeta a las siguientes condiciones: (1) este dispositivo no puede causar interferencia dañina, (2) este dispositivo debe aceptar cualquier interferencia recibida, incluyendo la interferencia que pueda causar una operación indeseada.

Este equipo ha sido probado y se encontró que cumple con los límites para un dispositivo digital clase A, consecuente con la Parte 15 de las Pautas de la FCC. Estos límites están diseñados para proporcionar una protección razonable contra interferencia dañina cuando el equipo es operado en un ambiente comercial. Este equipo genera, usa y puede irradiar frecuencias de radio y, si no es instalado y utilizado de acuerdo con el manual de instrucciones, puede causar interferencia dañina a las radiocomunicaciones. Es probable que la operación de este equipo en un área residencial cause interferencia dañina, en cuyo caso se le exigirá al usuario que corrija la interferencia con gastos a su cargo.

- La declaración de conformidad del producto se encuentra en el CD de documentación.

Enunciado referente a sustancias nocivas

Nosotros no usamos directamente sustancias nocivas como asbestos, sustancias radioactivas o compuestos de arsénico. Sin embargo, compramos componentes de terceros que pueden contener algunas de estas sustancias en cantidades muy pequeñas.

Precauciones

- LEA este manual ANTES de operar o dar servicio a este equipo y SIGA estas instrucciones detalladamente.
- GUARDE este manual para futura referencia.

	 ADVERTENCIA
	PARA PROTECCIÓN CONTINUA CONTRA DESCARGAS ELÉCTRICAS, CONECTE SÓLO EN UNA TOMA CON CONEXIÓN A TIERRA APROPIADA. NO RETIRE EL POLO DE CONEXIÓN A TIERRA.
	 ADVERTENCIA
	CUANDO ESTE EQUIPO ES INCLUIDO COMO PARTE DE UN SISTEMA, EL DISEÑO RESULTANTE DEBE SER REVISADO POR PERSONAL CALIFICADO QUE ESTÉ FAMILIARIZADO CON LA CONSTRUCCIÓN Y OPERACIÓN DE TODOS LOS COMPONENTES EN EL SISTEMA Y LOS PELIGROS POTENCIALES INVOLUCRADOS. EL NO TENER EN CUENTA ESTA PRECAUCIÓN PODRÍA RESULTAR EN LESIONES PERSONALES Y/O DAÑOS A LA PROPIEDAD.
	 ADVERTENCIA
	LA IND9U NO ESTÁ DISEÑADA PARA USARSE EN ÁREAS PELIGROSAS (EXPLOSIVAS).
 PRECAUCIÓN	
ANTES DE CONECTAR/DESCONECTAR CUALQUIER COMPONENTE ELECTRÓNICO INTERNO O INTERCONECTAR EL CABLEADO ENTRE EL EQUIPO ELECTRÓNICO SIEMPRE INTERRUMPA LA CORRIENTE Y ESPERE AL MENOS TREINTA (30) SEGUNDOS ANTES DE HACER CUALQUIER CONEXIÓN O DESCONEXIÓN. EL OMITIR ESTAS PRECAUCIONES PODRÍA RESULTAR EN DAÑOS O LA DESTRUCCIÓN DEL EQUIPO Y/O LESIONES PERSONALES.	
	NOTICIA
	TENGA EN CUENTA ESTAS PRECAUCIONES PARA MANIPULAR LOS DISPOSITIVOS SENSIBLES A LA ELECTROESTÁTICA.

Requerimiento de desecho seguro



En conformidad con la Directiva Europea 2012/19/EC sobre Residuos de Equipos Eléctricos y Electrónicos (WEEE), este dispositivo no puede desecharse con la basura doméstica. Esto también es aplicable para países fuera de la UE, según sus requerimientos específicos.

Deseche este producto de acuerdo con las regulaciones locales en el punto de recolección especificado para equipos eléctricos y electrónicos.

Si tiene alguna pregunta, comuníquese con la autoridad responsable o con el distribuidor a quien compró este dispositivo.

En caso que este dispositivo sea transferido a otras partes (para uso privado o profesional), también deberá mencionarse el contenido de esta regulación.

Gracias por su contribución a la protección ambiental.

Contenido

1	Introducción.....	1-1
1.1.	Identificación del modelo.....	1-2
1.2.	Internal Components.....	1-3
1.3.	Especificaciones.....	1-4
1.4.	Configuración con impresora.....	1-5
1.5.	Operación primario y remoto.....	1-5
1.6.	Opciones y Accesorios.....	1-5
2	Instalación.....	2-1
2.1.	Visión general.....	2-1
2.2.	Inspección de desempaque.....	2-1
2.3.	Montaje de gabinete.....	2-2
2.4.	Entradas de cables.....	2-6
2.5.	Instalación de cables y conectores.....	2-6
2.6.	Configuraciones de temperatura para termostato opcional.....	2-7
2.7.	Conexiones de cables para opciones de E/S digitales.....	2-8
2.8.	Configuración y preparación de la impresora para transporte.....	2-12
2.9.	Cierre del gabinete.....	2-16
3	Partes y accesorios.....	3-1
3.1.	Parts.....	3-1
3.2.	Accesorios.....	3-3

1 Introducción

La terminal IND9U es una solución especializada para usarse en el pesaje de vehículos en situaciones en las que el procesamiento de vehículos se lleva a cabo sin vigilancia, sin apoyo del operador. El terminal está disponible en dos especificaciones:

- El IND9UT incluye una PC completa con Windows 10 y puede ejecutar cualquier software de Windows, incluido el navegador web DataBridge.
- El IND9UT-DB incluye una computadora de placa única que ejecuta Linux y admite el uso del software DataBridge únicamente.

Ambos tipos se utilizan para procesar transacciones de camiones.

El IND9UT-DB utiliza un paquete de software para conectarse en red a una PC; el IND9US utiliza un programa TaskExpert™ que opera en un indicador montado en el terminal; la IND9US usa un programa TaskExpert™ que se ejecuta en un indicador montado en la terminal.

Cada uno de estos sistemas puede configurarse con varias opciones como teclados, impresoras e indicadores (IND570 e IND780), dependiendo de las necesidades del cliente.



Figura 1-1: Terminales IND9UT-DB (izquierdo) y IND9US (derecho)

La información incluida en este manual tiene el propósito de ayudar en la instalación y configuración de la terminal sin vigilancia METTLER TOLEDO (IND9U). Lea la información detenidamente antes de iniciar la

instalación. Sólo los técnicos capacitados deben realizar el cableado interno, la instalación de la opción y la programación.

1.1. Identificación del modelo

El número de modelo y el número de serie se encuentran en la placa de identificación en el lado del terminal. Excepto por Tipo de sistema, este cuadro se refiere a todas las versiones; para obtener detalles sobre dónde difiere la configuración de IND9UT-DB, consulte la sección 1.1.1.

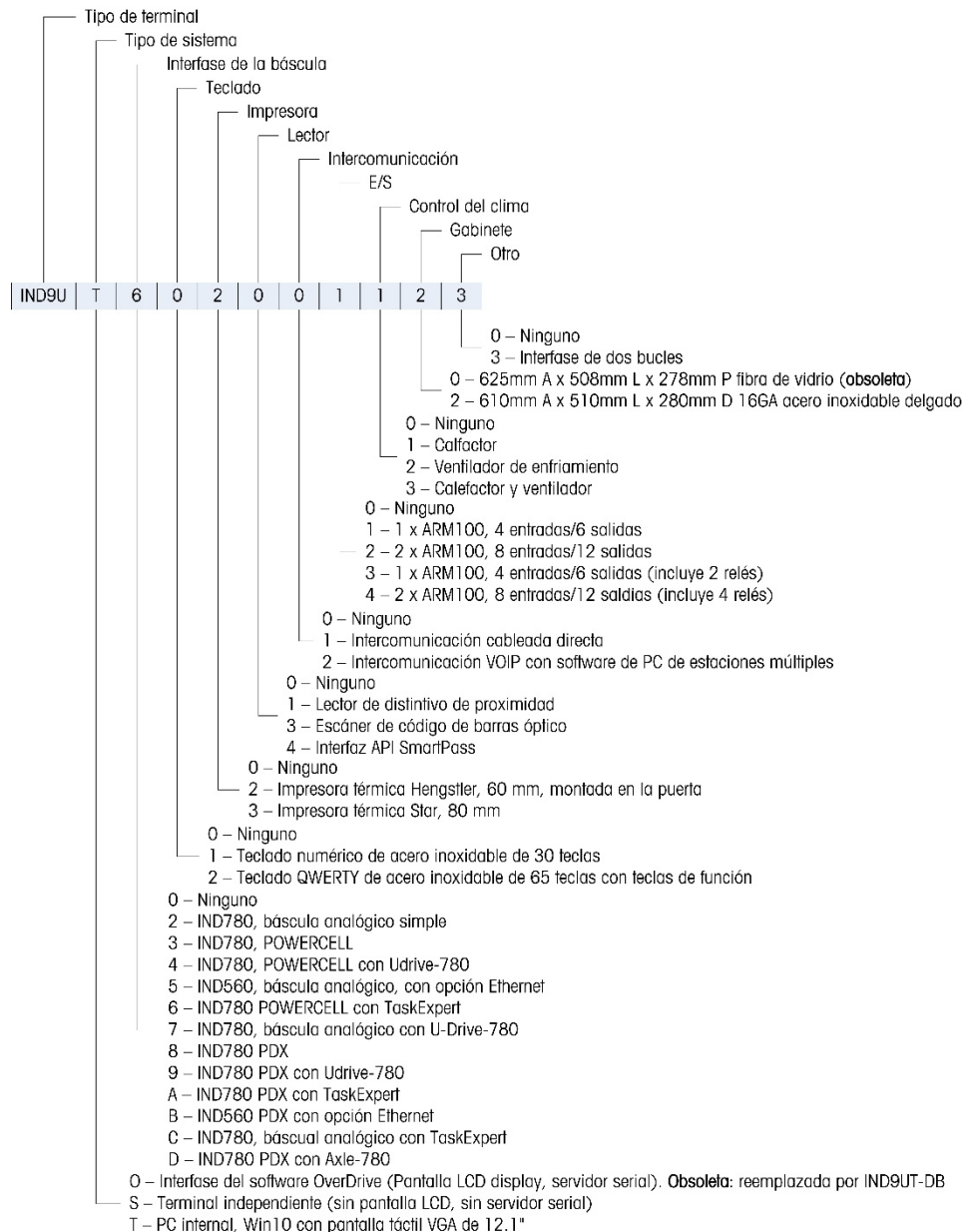


Figura 1-2: Números de identificación modelo IND9U

1.1.1. Configuraciones de la terminales IND9UT-DB

La IND9UT-DB está disponible en dos configuraciones: con (p/n 30723015) y sin (p/n 30723016) impresora. Ambas versiones de IND9UT-DB utilizan un sistema operativo Linux diseñado para funcionar únicamente con el software DataBridge de METTLER TOLEDO.

1.2. Internal Components

La Figura 1-2 muestra un ejemplo representativo de la distribución de los componentes principales dentro de una caja IND9UT-DB, con una interfaz DataBridge de pantalla táctil. La distribución varía dependiendo de la configuración del sistema.

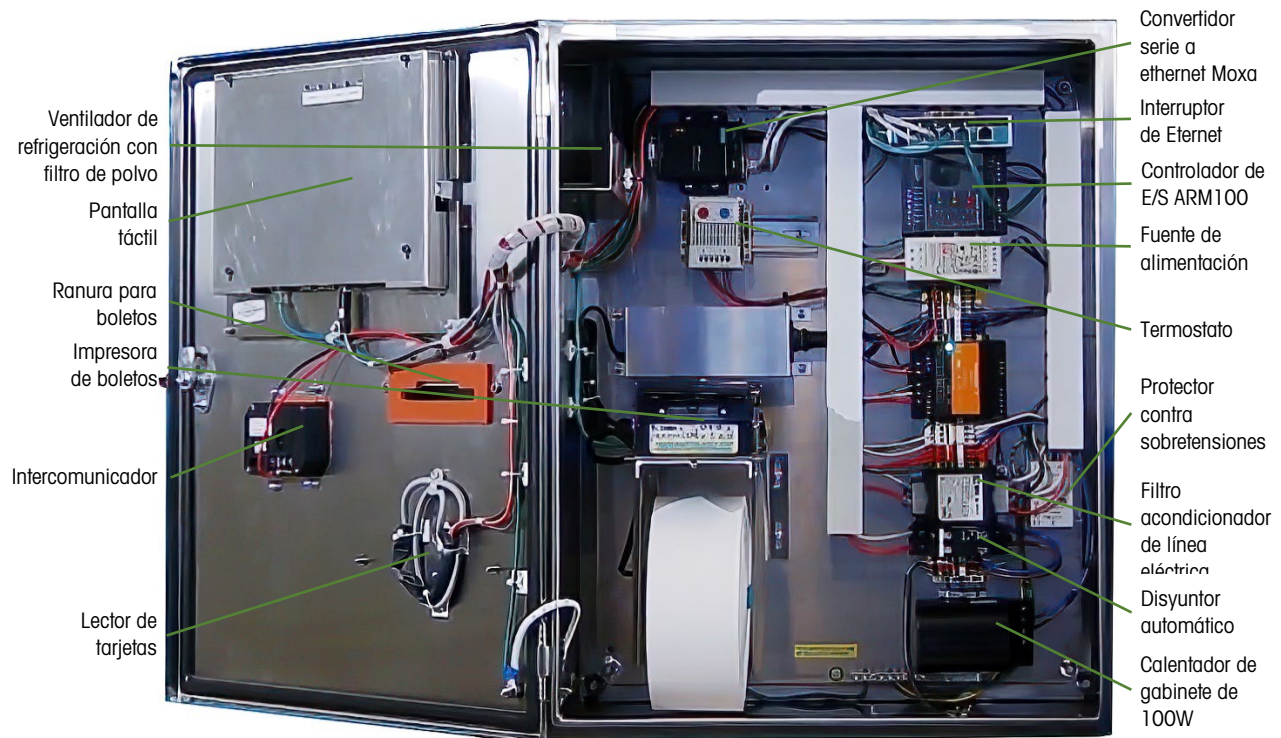


Figura 1-3: Distribución interna de la IND9UT-DB con pantalla táctil

- La Figura 1-3 muestra una IND9UT-DB con funciones opcionales, como un ventilador de refrigeración. Son posibles otras configuraciones, incluidos componentes como un convertidor Ethernet de fibra óptica.

1.3. Especificaciones


1.3.1. Dimensiones físicas

Las dimensiones de los gabinetes de la IND9U se indican en la Figura 1-5.



Figura 1-4: Dimensiones, caja de acero inoxidable delgado

1.3.2. Power Requirements

 PRECAUCIÓN
ANTES DE CONECTAR/DESCONECTAR CUALQUIER COMPONENTE ELECTRÓNICO INTERNO O INTERCONECTAR EL CABLEADO ENTRE EL EQUIPO ELECTRÓNICO SIEMPRE INTERRUMPA LA CORRIENTE Y ESPERE AL MENOS TREINTA (30) SEGUNDOS ANTES DE HACER CUALQUIER CONEXIÓN O DESCONEXIÓN. EL OMITIR ESTAS PRECAUCIONES PODRÍA RESULTAR EN DAÑOS O LA DESTRUCCIÓN DEL EQUIPO Y/O LESIONES PERSONALES.

La terminal IND9U requiere una fuente de alimentación eléctrica de 220 ó 115 VCA. El uso de corriente nominal es de 6 A (115 VCA) o 3 A (220 VCA), pero varía dependiendo de las opciones que estén instaladas. Consulte la etiqueta de clasificación eléctrica en el lado del gabinete para conocer el voltaje de control apropiado. Todos los sistemas tienen fusibles para 6 amperios.

La energía de los instrumentos debe proporcionarse mediante un circuito ramal separado que no esté compartido con equipo 'ruidoso' como motores, máquinas de soldar, etc. 100-240 VCA, 50-60 Hz, 6 A máximo.

Por seguridad se requiere una conexión a tierra sólida.

1.3.3. Ambiente de operación y almacenamiento

La IND9U estándar (sin impresora) puede operarse a temperaturas que van de -10 a +40 °C (14 a 104 °F). Cuando se usa una impresora, la temperatura de operación mínima sin calefactor opcional es 5 °C (41 °F). Cuando se usa el calefactor opcional, la temperatura de operación mínima es -30 °C (-22 °F). La temperatura de almacenamiento es -20 a +60 °C (4 a 140 °F).

1.3.4. Áreas peligrosas



La IND9U no es intrínsecamente segura, y no debe operarse en áreas clasificadas como peligrosas según el Código Eléctrico Nacional (National Electric Code o NEC) debido a la presencia de combustible o atmósferas explosivas en esas áreas. Comuníquese con un representante autorizado METTLER TOLEDO para pedir información acerca de las aplicaciones en áreas peligrosas.

1.4. Configuración con impresora

Cuando se requiere una impresora, se incluye un servidor de impresión con la impresora. Un interruptor Ethernet de puertos múltiples permite a la PC del DataBridge™ usar una línea de caída de Ethernet individual para comunicarse con la terminal, convertidores Ethernet/serial, intercomunicación VOIP e impresora. El servidor de impresión USB también conecta en puente la interfase Ethernet de la PC del DataBridge con una interfase USB en la impresora.

1.5. Operación primario y remoto

Las configuraciones de la IND9US sin vigilancia que requieren una terminal entrante y saliente en una sola báscula deben usar una configuración primario y remoto. Esto puede crearse con la tecnología de agrupamiento de la IND780, la cual permite a la terminal remoto escribir su información periférica serial para la terminal primario. Cuando este configurando un IND9UT-DB con múltiples terminales, solo se necesita configurar la dirección IP para cada terminal, como esta descrito en el **Guía de usuario** del programa de DataBridge.

1.6. Opciones y Accesorios

La IND9U está disponible en tres diferentes gabinetes:

- IND9UT y IND9US: 610mm x 354mm x 254mm (24" x 10" x 10")
- Opcionalmente: 762mm x 354mm x 254mm (30" x 24" x 10")

* Puede instalarse un ventilador y/o calentador (100 W o 150 W) en cualquiera de las cajas.

Cada tipo puede equiparse con una variedad de opciones y accesorios. Dependiendo de las opciones instaladas, algunas configuraciones requieren un gabinete más grande. Consulte en el Capítulo 3 de este manual, **Partes y accesorios**, una lista completa de artículos disponibles.

1.6.1. Pantalla LCD

La pantalla incluye una pantalla LCD de 12,1 pulgadas con panel táctil resistivo, una resolución máxima de LCD de 1024x768 y una interfaz HDMI o VGA.

1.6.2. Teclado

El teclado se programa en la fábrica, es de acero inoxidable y tiene clasificación IP65 de Dekorsy. Incluye un cable PS/2 y las teclas son recubiertas en MTWT para prevenir la corrosión.

1.6.3. Impresora

Hay tres tipos de impresoras térmicas disponibles, dos estilo quiosco y una montada en la puerta. Las tipo quiosco utilizan una interfaz RS-232 o Ethernet y un rollo de papel de 80 mm de ancho.

1.6.4. Lector

Se puede instalar un lector de tarjetas de proximidad AWID RFID con indicador de estado LED en la puerta frontal de la IND9U.

Puede instalarse un lector de código de barras/código QR en la puerta frontal del IND9U.

Puede instalarse una interfaz SmartPass AVI (de corriente y aislamiento de COM solamente) dentro del IND9U.

1.6.5. Intercomunicación

Se puede instalar un altavoz de intercomunicación AIPhone modelo LE-DA en la puerta frontal de la IND9U, y puede conectarse a la estación base a través de cableado directo o de una conexión VOIP Ethernet.

1.6.6. E/S

Hay un módulo de E/S ARM100 disponible para montaje dentro del IND9U. El ARM100 proporciona cuatro entradas y seis salidas, y se comunica a través de un enlace RS-485.

1.6.7. Paquete de comunicación inalámbrica

El kit WiFi es un kit de accesorios preprogramado de extremo a extremo instalado en campo (30500111).

1.6.8. Interfaz de 2 bucles

Puede montarse en riel DIN un detector de bucle de dos canales serie A&E AX2 dentro del IND9U.

2 Instalación

2.1. Visión general

Este capítulo explica cómo instalar la terminal IND9U. Lea esta información detenidamente antes de iniciar la instalación.

- Inspeccione el paquete minuciosamente al recibirlo del transportista.
- Si el contenedor de embarque está dañado, revise si hay daños internos y presente una reclamación por daños de transporte con el operador si es necesario.
- Si el contenedor no está dañado, retire la terminal de su paquete de protección, observe cómo está empacado, e inspeccione cada componente para detectar posibles daños.

Si necesita enviar la estación del conductor, es mejor usar el contenedor de envío original. Éste debe empacarse correctamente para garantizar el transporte seguro.

2.2. Inspección de desempaque

2.2.1. Lista de verificación de contenido

Los siguientes artículos se incluyen con cada IND9U:

- Terminal de la IND9U
- CD-ROM de documentación
- Dibujo de conjunto de caja impreso con diagrama de cableado
- 1 rollo de papel (si se ordena la impresora)

Se pueden incluir otros artículos dependiendo de la configuración de la IND9U ordenada. Consulte en la Figura 1-2 la especificación de la terminal.

2.2.2. Inspección

Una vez que la terminal está desempacada, abra el gabinete para verificar que no haya daños que pudieran haber ocurrido durante el transporte. En particular, si hay una impresora instalada, verifique que está asegurada adecuadamente e intacta; consulte la sección 20, **Configuración y preparación de la impresora para transporte** en la página 20 para más detalles.

Antes de aplicar corriente a la terminal, retire todos los sujetadores de transporte (cintas de cable plástico) de la impresora.

2.3. Montaje de gabinete

El IND9U está diseñado para montaje en poste o pared ya sea en interiores o exteriores. La caja deberá montarse con los cuatro soportes fijos a la caja, dos en la parte superior y dos en la parte inferior. Observe que se proporcionan cajas de acero inoxidable con patas de montaje de acero inoxidable. Las cajas se envían con las patas de montaje instaladas.

Acero inoxidable



Figura 2-1: Patas de montaje de caja

- El diámetro de los orificios indicado en la Figura 2-1 es 0.41"/1 cm.

La IND9U está diseñada para montarse sobre una superficie plana u opcionalmente en un poste. Dependiendo de la superficie en la que se instale, los sujetadores incluyen tornillos de madera, anclas para muros de concreto y anclas para muros de yeso.

2.3.1. Preparación para instalación

Para preparar la IND9U para su instalación en pared, siga estos pasos:

- Marque los puntos de fijación
- Monte la terminal

Use la caja, con sus patas fijadas, como plantilla para marcar la posición de los orificios de montaje en la superficie de montaje.

Una vez que estén marcadas las posiciones de los orificios, lleve a cabo uno de los siguientes procedimientos, dependiendo del tipo de superficie de la pared.

- **Nota:** Los accesorios para montar la terminal en la pared no se incluyen con la terminal; usted debe comprarlos aparte. Asegúrese de que los accesorios de montaje puedan soportar el peso de la terminal, que es aproximadamente 60 lb (27 kg).



PRECAUCIÓN

CUANDO LLEVE A CABO LOS SIGUIENTES PROCEDIMIENTOS, USE UNA PROTECCIÓN ADECUADA PARA EL CUERPO TAL COMO LENTES DE SEGURIDAD APROBADOS, PROTECTORES PARA LOS OÍDOS Y GUANTES.

2.3.2. Instalación en pared, tablarroca o paneles de yeso

Cuando se monta la IND135 en tablarroca, panel de yeso o en superficies similares, el anclaje debe ajustarse en tamaño de acuerdo con el tamaño recomendado del perno de 1/4" (6 mm), longitud mínima de 2 1/2" a 3", con una fuerza de extracción de 500 lb (266 kg).

La Figura 2-2 muestra un ejemplo de accesorios de montaje.



Figura 2-2: Accesorios de montaje para paredes de tablarroca o paneles de yeso

5. Haga un orificio en cada una de las marcas o lugares que hizo para preparar el montaje en pared. Use una broca de la misma medida que la del diámetro del anclaje (comúnmente 5/16" (8 mm)). La profundidad del orificio debe ser la misma del espesor de la tablarroca.
6. Limpie los orificios con una tela humedecida con agua.
7. Asegúrese que la cabeza del perno esté a ras con la parte superior roscada del anclaje e inserte la unidad de anclaje a través de los orificios de montaje y dentro del material base.
8. Empuje la unidad de anclaje hasta que la roldana quede firme contra la pared.
9. Apriete cada perno con una llave (use un destornillador para las cabezas planas o redondas), aproximadamente tres o cuatro giros completos o hasta que las anclas estén completamente fijadas en el material base.

2.3.3. Montaje en pared, superficie de madera

Cuando monte la IND9U en una pared de madera o superficie similar, use cuatro tornillos #12 de una longitud mínima de 1 1/4" (30 mm), cada uno con una roldana plana de por lo menos 1/2" (12 mm) de diámetro.

2.3.4. Colocación de la terminal en los sujetadores

Coloque los sujetadores a través de los orificios en los soportes de montaje del gabinete e insértelos en los orificios perforados para recibirlos. Apriete el perno para expandir la tuerca acodada, y continúe

apretándolo hasta que el soporte quede ajustado contra la superficie. La Figura 2-3 muestra la relación entre el soporte, los accesorios metálicos y la pared.

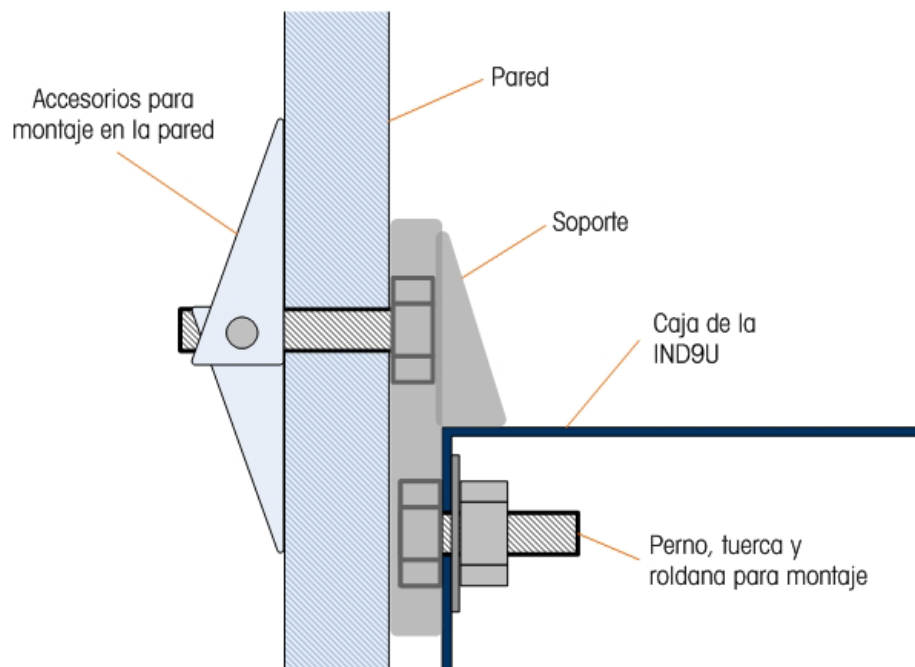


Figura 2-3: Instalación en la pared o paneles de yeso

Inspeccione periódicamente el gabinete para asegurar que esté bien fijo en la pared. Si no lo está, vuelva a apretar los pernos de montaje.

2.3.5. Montaje en poste

Puede usarse un kit de montaje en poste (número de parte 64050167), con la caja de fibra de vidrio o con la caja de acero inoxidable. Cuando se monta una caja de fibra de vidrio en un poste, se requiere un

par de placas de apoyo (número de parte 64086166). Estas placas no se incluyen en el kit de montaje en poste.

Figura 2-4 muestra una vista expandida de los componentes del kit en una instalación típica.

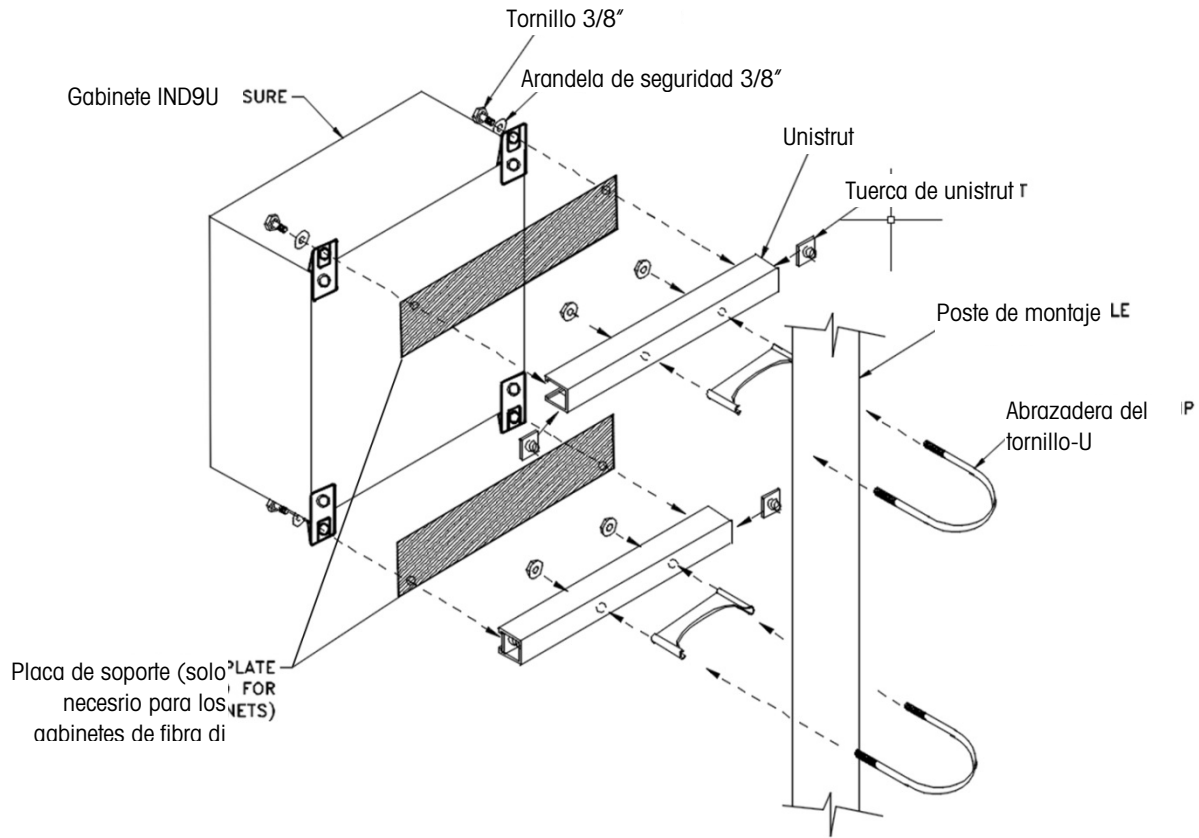


Figura 2-4: Componentes del kit para montaje en poste

2.3.6. Subconjunto de bloqueo de ventilación

Se proporcionan dos placas cuadradas de 4.6" x 4.6" (11.7 x 11.7 cm) con cada IND9U, que se envían en el paquete de documentación. Pueden instalarse dentro de la caja, sobre las dos ventilaciones, para ayudar a impedir que el aire entre a la caja durante el clima frío y ventoso. Retire la cubierta de plástico de cada kit de filtro de espuma, coloque la placa de bloqueo de ventilación en la abertura y vuelva a insertar el rótulo de la cubierta. Asegúrese de que el lado con los rótulos blancos y amarillos quede hacia dentro de la caja de manera que los rótulos puedan leerse. Retire las placas de bloqueo de ventilación cuando las temperaturas externas sean mayores de 10 °C (50 °F).

2.4. Entradas de cables

Las entradas de cables son específicas para el lugar y la aplicación. Los orificios para la entrada de cables se hacen cuando se instala la terminal. En general, los cables ingresan en el gabinete de la IND9U a través de sujetadores de cables en la parte inferior del gabinete.

2.4.1. Sujetadores de cable

Los sujetadores de cable deben ensamblarse y conectarse a tierra como se indica en la Figura 2-5.

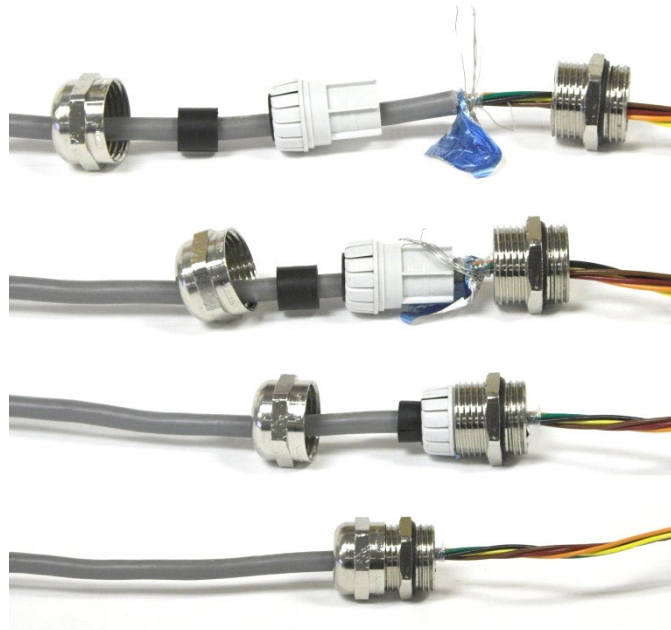


Figura 2-5: Conjunto del sujetador del cable

2.5. Instalación de cables y conectores

2.5.1. Conexiones para la energía de instrumento

Todas las configuraciones de la IND9U vienen con disposiciones para suministrar energía a la terminal de pesaje. La energía del instrumento siempre será denominada X1, X2 y GND (tierra).

- X1 es energizada en un sistema monofásico
- X2 es ya sea neutral en un sistema monofásico, o L2 en un sistema bifásico
- GND es conexión a tierra independientemente de la distribución de energía

Para un mejor desempeño del sistema, la energía del instrumento debe conectarse a un circuito de ramal de corriente alterna dedicado y limpio. Evite instalar líneas eléctricas en una tubería eléctrica que también lleva líneas a equipo de corriente alterna "ruidosos" como motores, máquinas de soldar y solenoides.

X1 y X2 llevan fusibles con interruptores de circuito de 6 A y 250 VCA. Una vez que X1 y X2 tengan fusibles, las etiquetas se cambian a 1 y 2 para indicar que el circuito está protegido.

Para un mejor desempeño, no agregue ninguna otra carga de corriente alterna inductiva a la energía del instrumento.

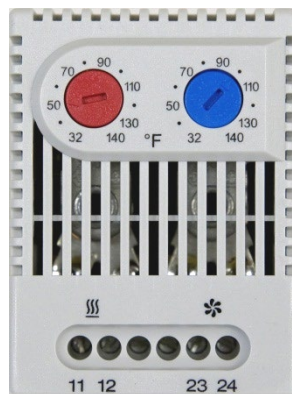
2.5.2. Conexiones de cables para energía de control

En los sistemas de la IND9U que tienen cargas de salida con interruptor tales como semáforos, puertas, etc. con voltaje de la línea, se proporciona una conexión de corriente. La energía de control se identifica como bloques de terminal con etiquetas 1, 2 y GND.

- La 1 es energizada en un sistema de una fase
 - La 2 es ya sea neutral en un sistema monofásico, o L2 en un sistema bifásico
 - GND es conexión a tierra independientemente de la distribución de energía
- El cableado de campo deberá tener una clasificación de aislamiento de al menos 90 °C.

2.6. Configuraciones de temperatura para termostato opcional

Si la IND9U está equipada con el sistema de control ambiental opcional y termostato doble, su termostato debe ajustarse como se indica en la Figura 2-6.



Disco izquierda (rojo): 50°F
Disco derecho (azul): 100°F

Figura 2-6: Configuraciones del termostato doble

Hay otros dos termostatos disponibles, uno solo para un calentador y uno solo para un ventilador. Los ajustes para estos deberán ser los mismos que para los cuadrantes izquierdo y derecho, respectivamente, mostrados en la Figura 2-6.

2.7. Conexiones de cables para opciones de E/S digitales

Un módulo de E/S remoto ARM100 puede ser instalado en la IND9U. Con excepción de las entradas del voltaje de la línea, que deban aislarse, todos los puntos de E/S se originarán o terminarán en las terminales del ARM100. Las siguientes secciones describen estas conexiones, incluyendo:

- Fuente de energía externa
- Entradas
- Puerto serial
- Salidas

2.7.1. Fuente de energía externa

Para cumplir con los requisitos de aprobación eléctrica y para proteger al ARM100 de influencias externas, sólo deberá conectarse alimentación eléctrica externa clase 2 como fuente de energía para el ARM100.

- La integridad de la conexión a tierra de la corriente para el equipo es importante para la seguridad y operación confiable del módulo ARM100. Una conexión a tierra deficiente puede resultar en una condición insegura en caso de corto eléctrico generado en el equipo. Una buena conexión a tierra también minimiza los impulsos de ruido eléctrico externo.

Conecte el cable positivo de la fuente de energía externa de 10 a 32 VCD a la terminal de +24 V y el cable negativo de la fuente de alimentación a la terminal de conexión a tierra (Gnd) en el ARM100, como se muestra en la **Figura 2-8**.

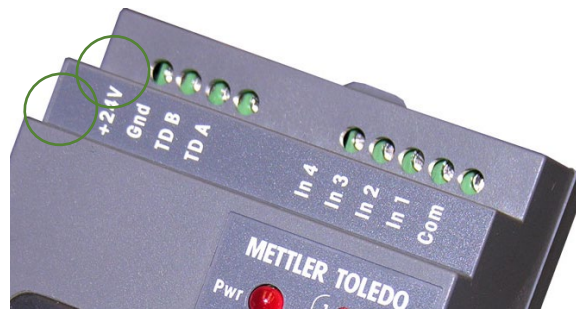


Figura 2-7: Conexiones de energía

2.7.2. Puerto serial

El puerto serial bidireccional en el ARM100 proporciona una conexión solamente para RS-485. Conecte los dos cables de red RS-485 en las dos terminales en el ARM100 como se indica en la Figura 2-7.

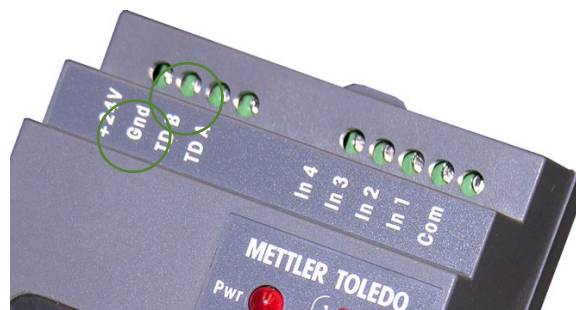


Figura 2-8: Conexiones de Puerto serial

La Figura 2-9 y Tabla 2-1 muestran un ejemplo de cableado de dos módulos ARM100 a una terminal IND570.

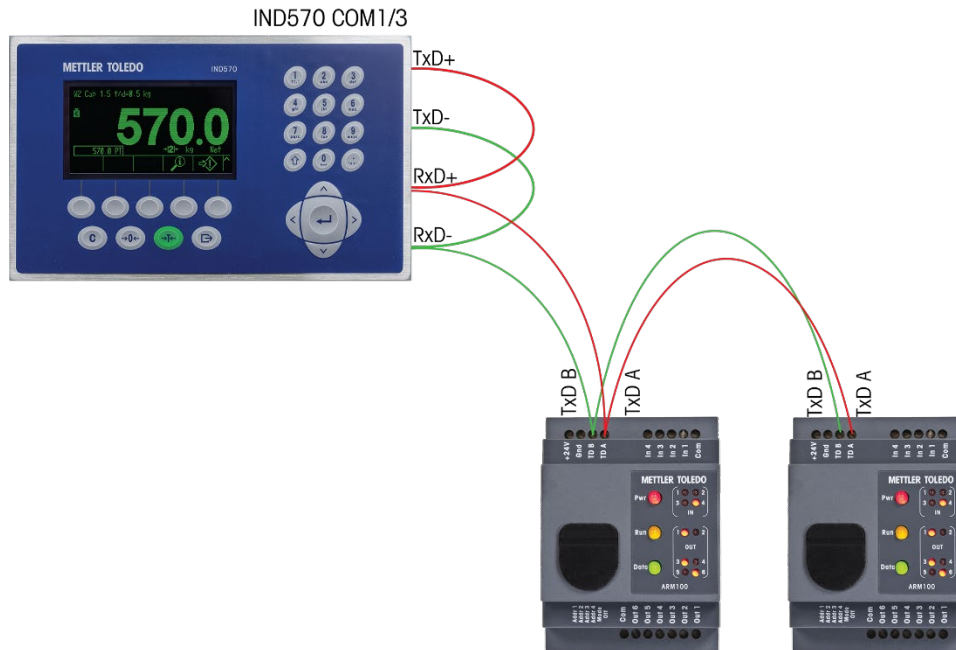


Figura 2-9: Ejemplo de cableado

Tabla 2-1: Detalles de cableado del puerto serial

Terminal				
IND570/IND780	IND690	ARM100 #1	ARM100 #2	ARM100 #n
TxD+	TxD+/RxD+	TxD A	TxD A	TxD A
* TxD-	TxD-/RxD-	TxD B	TxD B	TxD B
RxD+				
RxD-				

* La IND570 y la IND780 requieren dos cables puente como se indica en la figura anterior.

2.7.3. Configuración de los interruptores DIP del ARM100

Los interruptores DIP que se encuentran detrás de la aleta de caucho en la parte frontal del ARM100 deben configurarse como se muestra en la Figura 2-9.

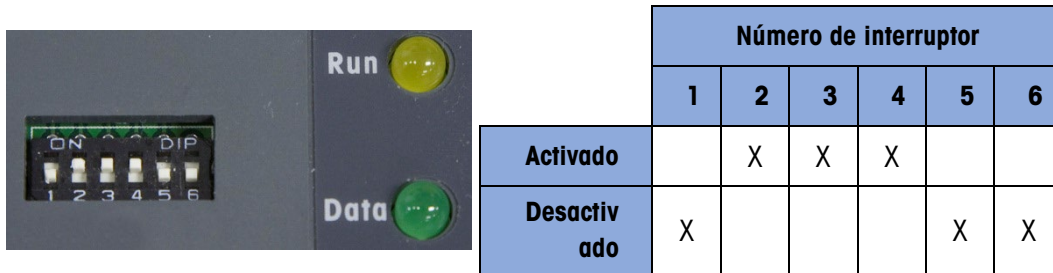


Figura 2-10: Configuración de los interruptores DIP para un solo ARM100

	Número de interruptor					
	1	2	3	4	5	6
Activado	X		X	X		
Desactivado		X			X	X

Figura 2-11: Configuración de los interruptores DIP para una segunda ARM100

2.7.4. Entradas

Se proporciona una terminal para cada una de las entradas discontinuas así como para la conexión común para todas las entradas. Estas terminales se muestran en la Figura 2-12.



Figura 2-12: Entradas discontinuas

Las entradas son pasivas para el ARM100. Esto significa que se debe proporcionar una fuente de voltaje externo para suministrar energía para activar una entrada. Esto permite a otros dispositivos como un PLC proporcionar el voltaje de activación (de 5 a 30 VCD a 10 mA máximo) para "activar" las entradas. La tierra lógica del dispositivo externo debe conectarse a las entradas comunes del ARM100. Para usar un interruptor de presión con estas entradas, también se debe proporcionar una fuente de energía externa. La Figura 2-13 muestra un ejemplo de cableado hacia las entradas pasivas.

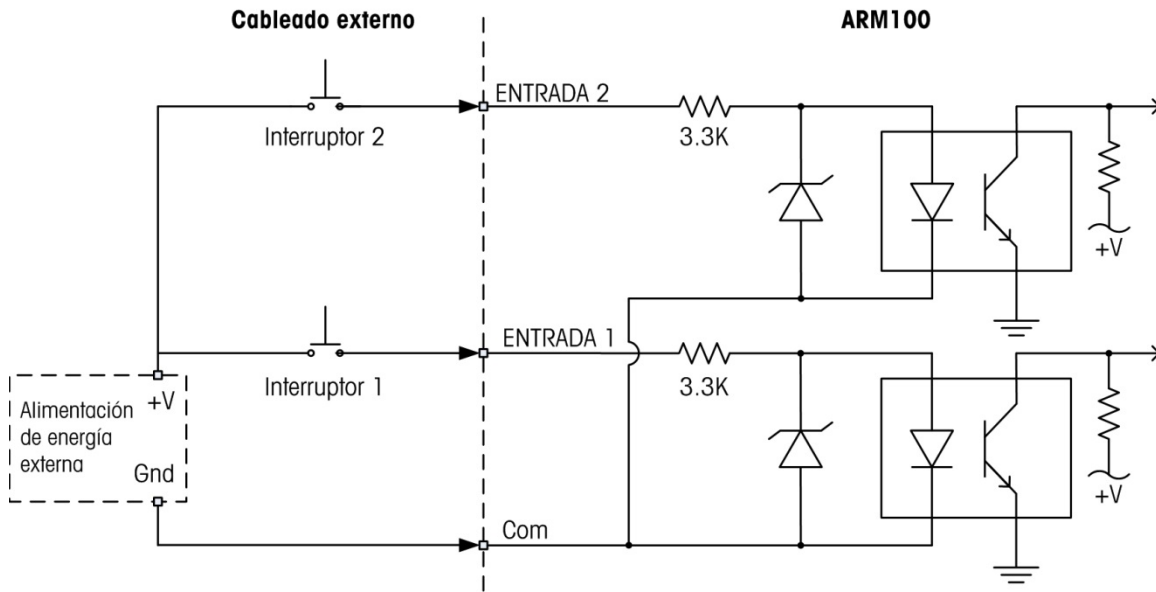


Figura 2-13: Cableado de conexión de entrada

2.7.5. Salidas

Se proporciona una terminal para cada una de las seis salidas de contacto en seco, así como para la conexión común para todas las salidas. Estas terminales se muestran en la Figura 2-14.



Figura 2-14: Discrete Outputs

Cada salida de relé puede conmutar de 24 a 280 VCA, o de 5 a 30 VCD a 1 A máximo. La corriente total de todos los relés debe limitarse a 3 A. Las salidas de relé no detectan la polaridad puesto que son contactos en seco. La Figura 2-15 muestra un ejemplo de cableado hacia las salidas.

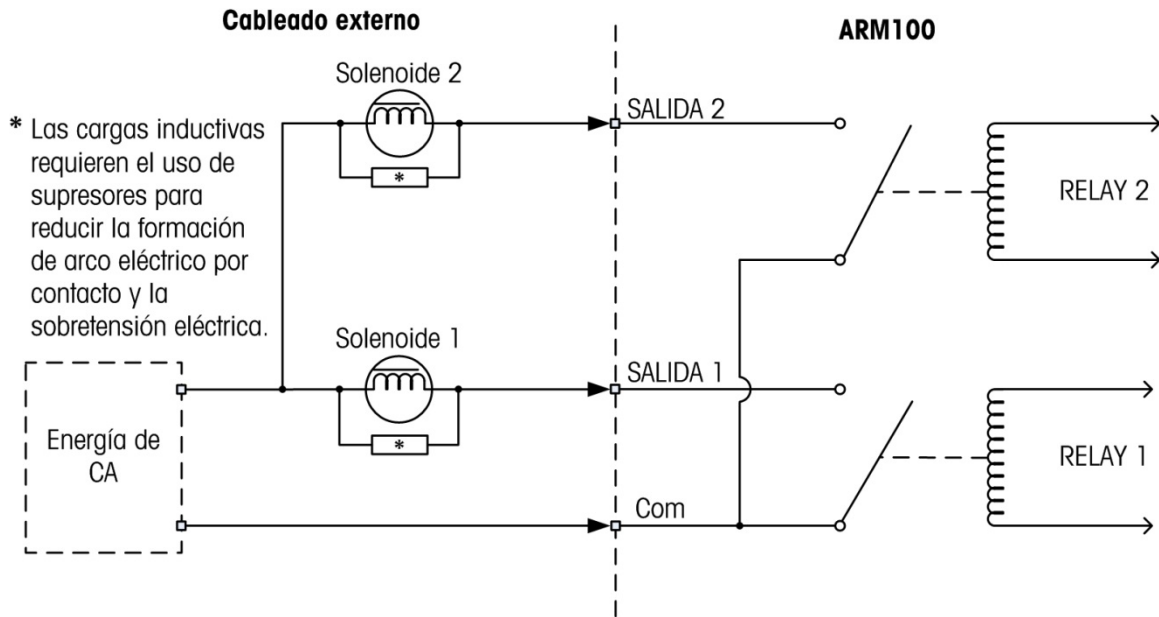


Figura 2-15: Cableado de conexión de salidas

2.8. Configuración y preparación de la impresora para transporte

2.8.1. Impresora Star

2.8.1.1. Carga del papel

■ **Nota:** Este procedimiento da por hecho que la impresora está energizada con el fin de permitirle que alimente el papel recientemente cargado.

1. Para cargar papel en la impresora, se debe girar toda la cabeza de impresión hacia adelante al levantar la manija grande central verde (Figura 2-16) para liberar el cerrojo, y después jalarla hacia adelante.

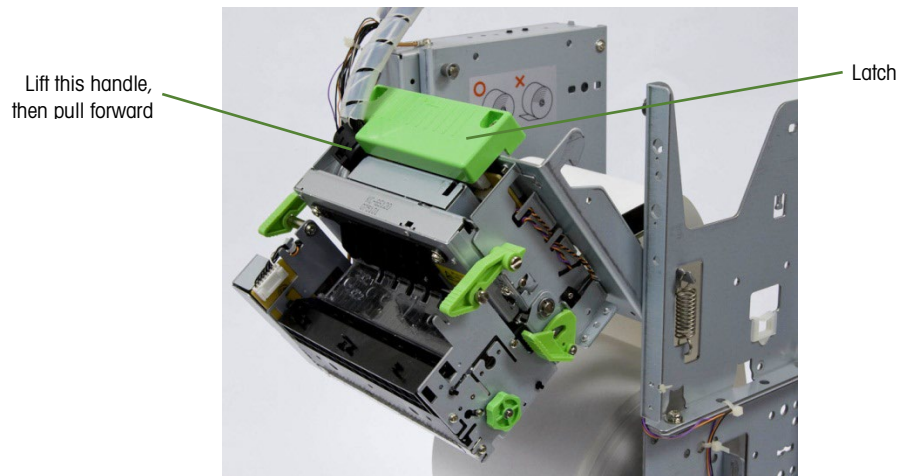


Figura 2-16: Impresora Star, Cabeza de impresión liberada para cargar papel

2. El eje del papel descansa sobre dos ranuras con forma de U. Con la cabeza de impresión inclinada hacia adelante, levante el eje y retírelo.
3. Deslice el nuevo rollo de papel sobre el eje.
4. Coloque los extremos del eje nuevamente en las ranuras en forma de U, observando la orientación del papel; su extremo dirigido hacia adelante desde la parte superior del rollo, tal como se ilustra en el lado interno de la impresora.
5. Para alimentar papel a través de la cabeza de impresión, deslice su extremo cortado hacia la placa de acero inoxidable y muévalo hacia adelante hacia la ranura negra, hasta que el sensor óptico lo detecte; La impresora alimentará entonces el papel automáticamente hasta la posición de funcionamiento.
6. Regrese el conjunto de la cabeza de impresión a su posición vertical.

Cuando se carga papel en la impresora, debe quedar cierta holgura en el rollo siempre que la impresora no esté imprimiendo; vea la Figura 2-17.



Figura 2-17: Rollo de papel cargado correctamente

El papel debe desenrollarse libremente; agregue una pequeña cantidad de lubricante a los cojinetes del rodillo si es necesario.

2.8.1.2. Posición de sensor de baja cantidad de papel

El sensor de baja cantidad de papel debe colocarse hacia el centro del rollo de papel, pero no debe interferir con el eje giratorio. Afloje el tornillo de mariposa que se indica en la Figura 2-18 para ajustar la posición del sensor.

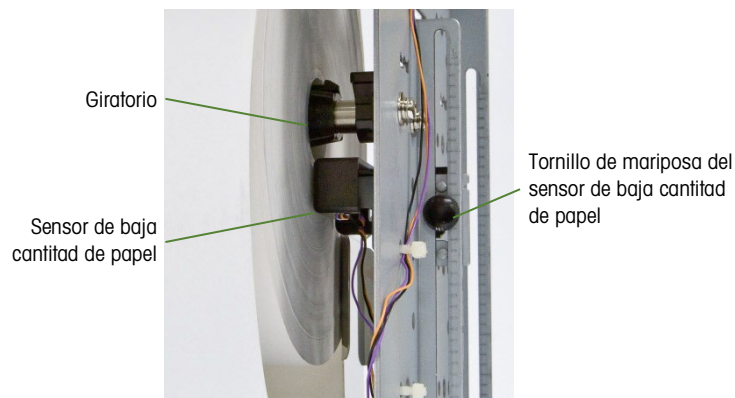


Figura 2-18: Posición del sensor de baja cantidad de papel

2.8.1.3. Eliminación de papel atascado

Si el papel se atasca en la cabeza de impresión, abra la cabeza de impresión. Levante los dos cerrojos verdes pequeños (uno indicado a la izquierda en la Figura 2-19), empuje el cerrojo verde inferior hacia abajo (indicado en el centro en la Figura 2-19), y luego incline la parte frontal de la cabeza de impresión hacia adelante.

■ **Nota:** Estos cerrojos se liberan sólo para eliminar papel atascado, no para cargar papel.

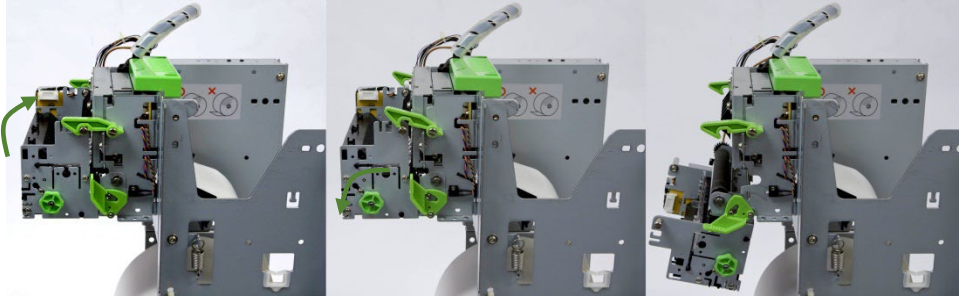


Figura 2-19: Cabeza de impresión cerrada (izquierda), liberada (centro) y abierta (derecha)

Con la cabeza de presión abierta, el papel puede retirarse hasta que el trayecto para éste quede libre. Para cerrar la cabeza de impresión, ejerza presión sobre ella hasta colocarla en su lugar y presione los dos cerrojos.

2.8.1.4. Preparación para transporte

NOTICIA

SI NO SE ASEGURAN LOS COMPONENTES DE LA IMPRESORA ANTES DEL TRANSPORTE, PODRÍA CAUSARSE DAÑO O DESTRUCCIÓN DEL EQUIPO.

Antes de transportar la impresora, sus componentes deben asegurarse mediante cintas de amarre de plástico. Si no se aseguran los componentes, podría causarse daño mecánico a la impresora durante el transporte.

La Figura 2-20 muestra dos cintas blancas pequeñas de amarre de plástico que aseguran el eje del papel en el bastidor de la impresora, mientras dos cintas negras más grandes están colocadas para mantener fija en posición la cabeza de impresión.

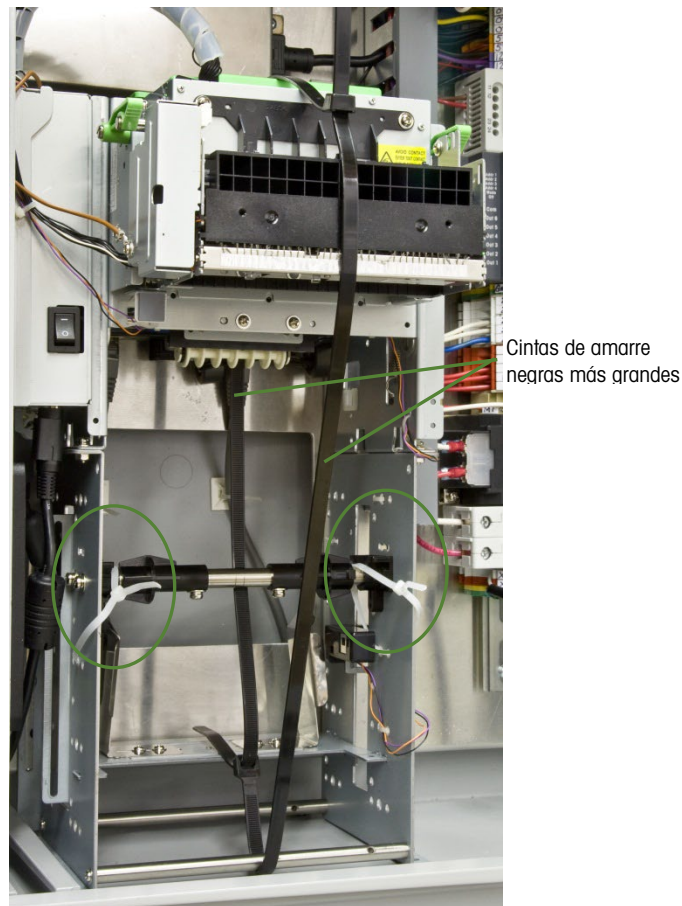


Figura 2-20: Impresora Star asegurada para transporte

2.9. Cierre del gabinete

Para asegurar que el gabinete de la IND9U proporciona protección continua contra la entrada de humedad y polvo, asegúrese de que se apliquen los siguientes pasos:

10. Asegúrese de que los sujetadores de cable sean apropiados para el diámetro externo del cable que se usa. Si existe demasiado espacio, reemplace el sujetador del cable con uno de tamaño apropiado.
11. Si no se usa un sujetador de cable, asegúrese de instalar un tapón para evitar que entren desechos en la unidad.
12. Cuando se agregan entradas de cables, evite colocarlas en la parte superior del gabinete. Cuando sea posible, la parte inferior del gabinete es la parte preferida para entradas de cables. Los lados son la siguiente mejor opción.
13. Asegúrese de que el cerrojo de media vuelta (Figura 2-21) esté bien enganchado cuando se cierre la puerta del gabinete. Observe que el cableado instalado en campo no quede atrapado en la junta de la

puerta. Ésta puede dañar el cableado y generar aberturas en el sello que permiten que entren humedad y restos en el gabinete.



Figura 2-21: Cierre con llave para gabinetes en acero inoxidable – delgado (izquierda) y de alta resistencia (derecha)

3 Partes y accesorios

3.1. Parts

3.1.1. Cables

64042152	Arnés Ethernet patch, 12 pulgadas
64067149	Cable Ethernet, 3 pies
64077017	Cable Ethernet, 6 pulgadas
71211075	Cable USB PS60
64087869	Teclado MOXA, pantalla, arnés AWID
64079395	Conjunto de cables de alimentación +5V
64080690	Conjunto de cables DB9F a ARM100
64080708	Cable de conexión Cat 5E Ethernet exterior

3.1.2. Protección

64090245	Estabilizador de tension de 277 V CA
64080298	2P, 6A, UL489 cortacircuitos
64079748	Filtro de línea Cosel 10A de montaje DIN
64063297	B&B Electronics RS-232 aislador

3.1.3. Fuentes de alimentación

64090846	Fuente de alimentación para montaje DIN, 5 V, 15 W
64090847	Fuente de alimentación para montaje DIN, 12 V, 30 W
64090849	Fuente de alimentación para montaje DIN, 12 V, 15 W
64090848	Fuente de alimentación para montaje DIN, 24 V, 60 W

3.1.4. Conmutadores Ethernet

64086036	Conmutador Ethernet, 8 puertos, 5V PWR
30084876	Conmutador Ethernet, 5 puertos, montaje DIN, MOXA
64063233	Conmutador Ethernet, 5 puertos, montaje DIN, Weidmuller

3.1.5. Módulos E/S

64050435	Módulo de entrada, 4-32 V CD, montaje DIN, No. 91F2039
64054153	Módulo de entrada, 90-140 V CA, montaje DIN
64056872	Módulo de entrada, 180 a 280 V CA montaje DIN
64050436	Módulo de salida, 5-60 V CC, montaje DIN
64050663	Módulo de salida Opto, 12 a 280 V CA, 5A, montaje DIN

3.1.6. MOXAs

64067147	Servidor del puerto, NPORT 5110, RS-232 a Ethernet
64067148	Servidor del puerto, solo, NPORT 5130, RS-485 a Ethernet

3.1.7. Pantalla táctil

30612455	Conjunto de panel táctil/LCD utilizado en IND9UT
30648779	Conjunto de panel táctil/LCD utilizado en IND9UT-DB
30722245	Reemplazo de tarjeta uSD programada para ensamblaje LCD IND9UT-DB
30665936	Conjunto de cable USB macho -> macho de repuesto para conjunto de panel táctil LCD IND9UT
30587889	Bisel LCD de repuesto, acero inoxidable
30126813	Junta de repuesto para LCD bisel
30076985	Cable de alimentación de repuesto con conector cilíndrico para montaje de LCD

3.1.8. Termostato

64057479	LV. termostato para ventilador
64067157	LV. termostato para calentador
64067158	STEGO termostato doble, Calor/Frío

3.1.9. Capucha para impresora

64083558	Pequeña cubierta SST contra lluvia
64088878	Junta para pequeña cubierta
64085088	La cobertura de la salida de papel, material V-O, IND9U
64087460	Junta para tapa de la impresora pequeña

3.1.10. Cubiertas de componentes

64091102	Tapa de la conexión de CA, Plexiglas
64091104	Tapa para calentador y termostato

- 64091106 Soporte para calentador y termostato
- 64091103 Tapa para componente DIN, Plexiglas

3.1.11. Surge Suppressor Mounting Kit

- 64089850 Kit de montaje del estabilizador de tension

3.2. Accesorios

Las siguientes partes de la IND9U están disponibles para compra en METTLER TOLEDO.

3.2.1. Accesorios generales

- 64050167 E Conjunto de montaje en poste para gabinete de 610 mm de ancho máximo
- 64086166 Gabinete de fibra vidria placa de soporete para montaje en poste (2 se requieren)
- 64050466 25 AWID tarjetas de proximidad RFID
- 64050168 102 mm de diámetro 305 cm kit poste (máx. 100 kg de carga)
- 64050169 102 mm de diámetro 183 cm kit poste (máx. 100 kg de carga)
- 64050170 183cm, 102mm de diámetro polo de tráfico, sólo
- 64050171 305cm, 102mm de diámetro polo de tráfico, sólo
- 64055081 Kit de brazo giratorio para caja
- 64066557 Kit photoeye (Banner), voltaje CC
- 30500111 Kit inalámbrico extremo a extremo, 5 GHz
- 64087938 Kit RS232 serial Wireless (solo uno de los extremos), MOXA y WiFi
- 64055604 SST parasol con soporte de montaje en poste
- 64052105 Kit bucle carreteras
- 30247417 Kit bucle carreteras con pre-formado bucle
- 30255574 Kit de videocámara exterior, 3MP, TCP/IP
- 64065170 UPS en línea, 1000VA, 800W, 115 V CA
- 30243719 UPS en línea, 1000VA, 800W, 230 V CA
- 64052037 SmartPass4, lector AEI, RS232
- 64051134 Soporte, SmartPass, pared, 54-1620-001
- 64051453 Cable de 5 pies para lector SmartPass a Jbox
- 64069679 JBox en acero inoxidable para cables SmartPass
- 64064834 Cable de 6 conductores, AEI (SmartPass alimentación + datos)

64050491	Tag AT5412 de fotograma complete Transcore, pasivo
64084650	Semáforo, 203mm, LED, con accesorios de montaje (rojo/verde)
64089951	Kit de poste 76mm dia., 183cm long. (25kg carga máx.)
64089786	Kit de poste 76mm dia., 183cm long. (12kg carga máx.)
64089931	Kit de hardware extensión poste, postes de 76mm o 102mm dia. (para WiFi)
64089984	Poste de aluminio 38mm SCH40, 152cm long., para extension de poste
64089985	Poste de aluminio 38mm SCH40, 305cm long., para extension de poste
64052143	3 unidades de estación base de intercomunicación para LE-DA
64084550	5 unidades de estación base de intercomunicación HD para LE-SS
64061353	1 unidad de estación base de intercomunicación VoIP (montaje en pared, 120v)
64065369	1 unidad de estación base de intercomunicación VoIP (montaje en pared, 220v)

3.2.2. Teclado

64066213	Teclado Dekorsy de 65 claves en acero inoxidable, USB/PS2, para gabinete en acero inoxidable
64067139	Adaptador de teclado PS2 a RS-232
64056740	Teclado numérico de 30 claves, 30T-ES, personalizado – PS2
64067140	Teclado numérico de 30 claves, 30T-ES – RS-232
64067141	Junta para teclado de 30 claves

3.2.3. Printers

Star 45-80mm	30082936	TUP592 conjunto de impresora, vertical, Ethernet	Ethernet
	30082937	TUP592 conjunto de impresora, vertical, RS-232	RS-232
	64066380	Rollo de papel térmico, 80mm, 7.5" diameter	
	64067154	Hengstler impresora térmico, RS-232	RS-232
	64067155	Hengstler impresora térmico, USB	USB
Hengstler	64066227	Rollo de papel térmico, 60mm	
	64065662	Conjunto de Fuente de alimentación, 100-240 V CA/24 V CC	
	64067152	Servidor del impresora USB 2.0	

3.2.4. Readers

Divisa	64049138	Lector RF
	64053613	Junta para lector de proximidad

3.2.5. Escáner de código de barras

30555317	Escáner de códigos de barras y códigos QR
64080044	Ventana para escáner de código de barras

3.2.6. Intercomunicación

64049831	Intercomunicación (AIRPHONE) NO. LE-DA
64055889	Junta – intercomunicación UADT
64085104	Junta, montaje I-COM
64084558	Intercomunicación AIRPHONE para montaje en panel,LE-SS
64065144	Intercomunicación VOIP IP7-STX, montaje DIN

3.2.7. ARM

71209352	ARM100 E/S remotas
----------	--------------------

3.2.8. Calentadores

30398413	Calentador, 100W, 100-240 VAC
30398414	Calentador, 150W, 100-240 VAC

3.2.9. Ventilación/Ventilador

64077274	Panel de ventilación louver, SST, FIN PER 141714R
64077276	Junta del panel de ventilación, 4.625" x 4.625"
64067142	Filtro de ventilación de aluminio
64054988	Conjunto de filtro para ventilador UADT
64084037	Ventilador axial CC, DAYTON 6KD70
30216996	Subconjunto para bloqueo de ventilación (para el frío)

3.2.10. Detector de bucle

64058635	Riel DIN,enchufe de 11 pines
64067194	Detector de bucle de 2 canales, montaje DIN, enchufe de 11 pines,12 V CC

IND9U

Terminal de pesage de véhicule sans supervision



IND9U Terminal de pesage de véhicule sans supervision

METTLER TOLEDO Service

Nous vous remercions d'avoir sélectionné la qualité et la précision de METTLER TOLEDO. Si vous respectez les instructions stipulées dans ce manuel pour votre nouvel équipement et confiez régulièrement l'étalonnage et la maintenance à notre équipe de service formée à l'usine, vous obtiendrez non seulement une exploitation fiable et précise, mais vous protégerez votre investissement. Consultez-nous pour discuter d'un contrat de service adapté à vos besoins et votre budget. Vous trouverez de plus amples informations à l'adresse suivante: www.mt.com/service.

Il existe plusieurs méthodes garantissant l'optimisation de la performance de votre investissement:

5. **Enregistrez votre produit:** Nous vous invitons à enregistrer votre produit à l'adresse www.mt.com/productregistration afin de nous permettre de vous avertir des améliorations, mises à jour et avis importants relatifs à votre produit.
6. **Contactez METTLER TOLEDO pour le service:** La valeur d'une mesure est proportionnelle à sa précision. Une balance hors spécification peut affecter la qualité, réduire les revenus et accroître les responsabilités. Le service ponctuel de METTLER TOLEDO garantit la précision et optimise la durée d'exploitation ainsi que la vie utile de l'équipement.
 - a. **Installation, Configuration, Intégration et Formation:** Nos représentants techniques sont des spécialistes des équipements de pesage, formés à l'usine. Nous veillons à ce que l'équipement de pesage soit prêt à la production de manière rentable et ponctuelle et que le personnel soit formé pour optimiser la réussite.
 - b. **Documentation d'étalonnage initial:** Les conditions relatives à l'application et l'environnement de l'installation sont différentes pour toutes les balances industrielles de sorte que la performance doit être testée et certifiée. Nos services d'étalonnage et les certificats documentent la précision afin de garantir la qualité de la production et fournir un enregistrement du système de qualité sur la performance.
 - c. **Maintenance périodique de l'étalonnage:** Un Accord de service d'étalonnage favorise la confiance continue dans votre processus de pesage et fournit la documentation de conformité aux normes. Nous offrons toute une gamme de programmes de service qui sont préparés pour satisfaire vos besoins et conçus pour correspondre à votre budget.

© METTLER TOLEDO 2021

Toute reproduction et tout transfert du présent manuel sous quelque forme que ce soit et de quelque manière que ce soit, électronique ou mécanique, y compris la photocopie et l'enregistrement, pour quelque raison que ce soit, sont strictement interdits sans le consentement écrit exprès préalable de METTLER TOLEDO.

Droits limités par le gouvernement américain : cette documentation est fournie avec des droits limités.

Copyright 2021 METTLER TOLEDO. La présente documentation contient des informations exclusives à METTLER TOLEDO. Elle ne peut être recopiée ni intégralement ni partiellement sans le consentement exprès préalable écrit de METTLER TOLEDO.

METTLER TOLEDO se réserve le droit d'apporter des changements au produit ou au manuel sans préavis.

COPYRIGHT

METTLER TOLEDO® est une marque déposée de Mettler-Toledo, LLC. Toutes les autres marques et noms de produit sont des marques de commerce ou des marques déposées de leurs sociétés respectives.

METTLER TOLEDO SE RÉSERVE LE DROIT D'APPORTER DES AMÉLIORATIONS OU DES MODIFICATIONS SANS PRÉAVIS.

Avis de la FCC

Cet équipement est conforme à la section 15 de la réglementation de la FCC et aux règlements sur les brouillages radioélectriques édictés par le Ministère des Communications du Canada. Son utilisation est sujette aux conditions suivantes : (1) cet appareil ne doit pas provoquer d'interférences néfastes, et (2) cet appareil doit accepter toutes les interférences reçues, y compris celles pouvant provoquer un fonctionnement non désiré.

Cet équipement a été testé et déclaré conforme aux limites des appareils numériques de classe A, en vertu de la Section 15 des règles de la FCC (Commission fédérale des communications). Ces limites ont pour objectif de fournir une protection raisonnable contre toute interférence dangereuse lorsque l'équipement est utilisé dans un environnement commercial. Cet équipement génère, utilise et peut rayonner une énergie de radiofréquence et s'il n'est pas installé et utilisé conformément au guide d'utilisateur, il peut générer des brouillages préjudiciables aux communications radio. L'utilisation de cet équipement dans une zone résidentielle risque de générer des brouillages préjudiciables auquel cas, l'utilisateur se verra dans l'obligation de rectifier la situation à ses frais.

- La déclaration de conformité est située sur le CD de documentation.

Déclaration relative aux substances dangereuses.

Nous n'utilisons aucune substance dangereuse, tels que l'amiante, les substances radioactives ou les composés d'arsenic. Toutefois, nous achetons des composants auprès de fournisseurs tiers qui peuvent contenir certaines de ces substances en très petites quantités.

Mises en garde

- LIRE ce guide AVANT de faire fonctionner ou de réparer l'équipement et RESPECTER soigneusement toutes les instructions.
- CONSERVER ce manuel à titre de référence ultérieure.

	 AVERTISSEMENT
	POUR ASSURER UNE PROTECTION SANS FAILLE CONTRE LES CHOCS ÉLECTRIQUES, BRANCHER UNIQUEMENT DANS UNE SOURCE D'ALIMENTATION CORRECTEMENT MISE À LA TERRE. NE PAS RETIRER LA CONNEXION DE MISE À LA TERRE.
	 AVERTISSEMENT
	LORSQUE CET APPAREIL EST INCLUS COMME COMPOSANT D'UN SYSTÈME, LA CONCEPTION EN RÉULTANT DOIT ÊTRE PASSÉE EN REVUE PAR UN PERSONNEL QUALIFIÉ CONNAISSANT BIEN LA FABRICATION ET LE FONCTIONNEMENT DE TOUS LES COMPOSANTS DU SYSTÈME AINSI QUE LES DANGERS POTENTIELS INHÉRENTS. NE PAS RESPECTER CETTE CONSIGNE PEUT ENTRAÎNER DES BLESSURES ET/OU DES DOMMAGES MATÉRIELS.
	 AVERTISSEMENT
	L'IND9U N'A PAS ÉTÉ CONÇU POUR UNE UTILISATION DANS DES ZONES DANGEREUSES (EXPLOSIVES).
 ATTENTION	
AVANT DE BRANCHER ET DE DÉBRANCHER LES COMPOSANTS ÉLECTRONIQUES INTERNES OU D'EFFECTUER DES CONNEXIONS ENTRE LES APPAREILS ÉLECTRONIQUES, TOUJOURS METTRE HORS TENSION ET ATTENDRE AU MOINS TRENTE (30) SECONDES AVANT DE CONNECTER/DÉCONNECTER LES APPAREILS. NE PAS RESPECTER CES CONSIGNES POURRAIT ENTRAÎNER DES BLESSURES OU ENDOMMAGER, VOIRE DÉTRUIRE L'APPAREIL.	
	AVIS
	TOUJOURS MANIPULER LES APPAREILS SENSIBLES À DES CHARGES ÉLECTROSTATIQUES AVEC PRÉCAUTION.

Condition relative à une mise au rebut sécuritaire

Conformément à la directive européenne 2012/19/CE sur l'équipement électronique et électrique des déchets (WEEE), cet appareil ne peut pas être éliminé dans des déchets ménagers. Cette consigne est également valable pour les pays en dehors de l'UE, selon les conditions spécifiques aux pays.



Prière d'éliminer ce produit conformément à la réglementation locale au point de collecte spécifié pour les équipements électriques et électroniques.

Pour de plus amples informations, contactez l'autorité responsable ou le distributeur auprès duquel vous avez acheté cet appareil.

Si cet appareil change de propriétaire (pour des raisons personnelles ou professionnelles), cette consigne doit être communiquée à l'autre partie.

Nous vous remercions de votre contribution à la protection de l'environnement.

Table des matières

1	Introduction	1-1
1.1.	Identification du modèle	1-2
1.2.	Composants à l'intérieur.....	1-3
1.3.	Spécifications	1-4
1.4.	Configuration de l'imprimante	1-5
1.5.	Fonctionnement primaire/distant.....	1-5
1.6.	Options et accessoires	1-5
2	Installation	2-1
2.1.	Présentation générale.....	2-1
2.2.	Déballage et inspection	2-1
2.3.	Montage du boîtier.....	2-2
2.4.	Entrées du câble	2-6
2.5.	Installation des câbles et des connecteurs	2-6
2.6.	Paramètres de température pour le thermostat optionnel.....	2-7
2.7.	Connexions de câblage pour les options E/S numériques	2-8
2.8.	Configuration de l'imprimante et préparation pour l'expédition.....	2-12
2.9.	Fermeture du boîtier	2-16
3	Pièces et accessoires	3-1
3.1.	Pièces.....	3-1
3.2.	Accessoires	3-3

1 Introduction

Le terminal IND9U est une solution spécialisée pour le pesage de véhicule sans supervision lorsque le traitement des véhicules est exécuté sans supervision, sans l'assistance d'un opérateur. Le terminal est disponible en deux spécifications :

- L'IND9UT comprend un PC Windows 10 complet et peut exécuter n'importe quel logiciel Windows, y compris le navigateur Web DataBridge.
- L'IND9UT-DB comprend un ordinateur à carte unique qui exécute Linux et prend en charge l'utilisation du logiciel DataBridge uniquement.

Les deux types sont utilisés pour traiter les transactions des camions.

L'IND9UT-DB utilise un logiciel pour se connecter à un PC et comprend un écran tactile monté sur le boîtier ; l'IND9US utilise un programme TaskExpert™ exécuté sur un indicateur monté dans le terminal.

Chacun de ces systèmes peut être configuré avec diverses options, par exemple, claviers, imprimantes et indicateurs (IND570 et IND780), en fonction des besoins du client.



Figure 1-1 : Terminaux IND9UT-DB (gauche) et IND9US (droite)

Les informations fournies dans ce manuel sont destinées à l'installation et la configuration du terminal METTLER TOLEDO sans supervision (IND9U). Veuillez lire attentivement les informations avant de

commencer. Le câblage interne, l'installation des options et la programmation doivent être exécutés exclusivement par un personnel qualifié.

1.1. Identification du modèle

Le numéro du modèle et numéro de série figure sur la plaque signalétique sur le côté de l'enceinte. À l'exception du type de système, ce tableau fait référence à toutes les versions ; pour plus de détails sur les différences de configuration IND9UT-DB, reportez-vous à la section 1.1.1.

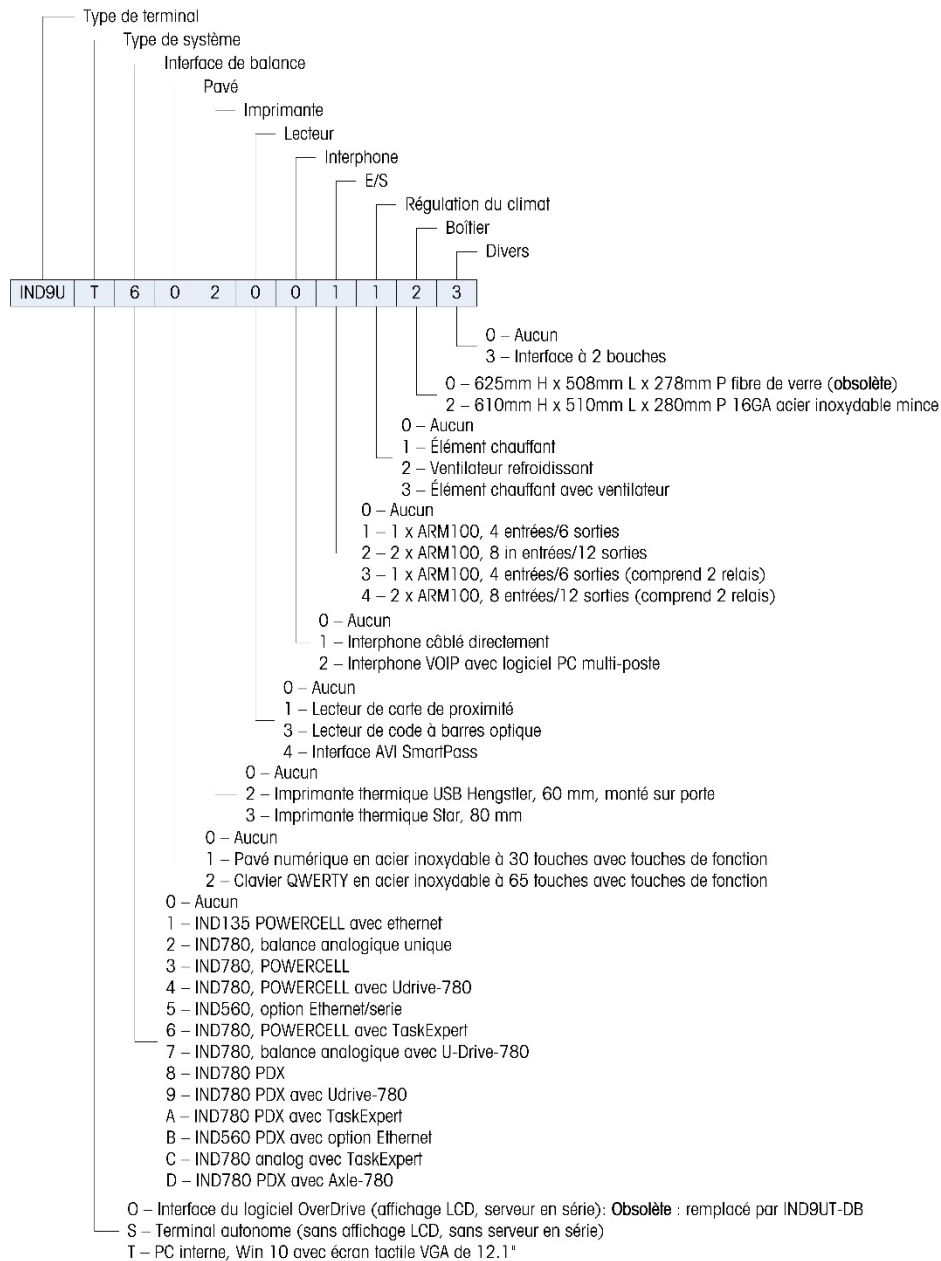


Figure 1-2 : Numéros d'identification du modèle IND9U

1.1.1. Configurations des terminaux IND9UT-DB

L'IND9UT-DB est disponible en deux configurations - avec (p/n 30723015) et sans (p/n 30723016) imprimante. Les deux versions IND9UT-DB utilisent un système d'exploitation Linux conçu pour fonctionner uniquement avec le logiciel METTLER TOLEDO DataBridge.

1.2. Composants à l'intérieur

La Figure 1-3 Figure 1-2 présente un exemple représentatif de la disposition des principaux composants à l'intérieur de l'enceinte d'un IND9U, avec une interface DataBridge à écran tactile. Cet agencement varie en fonction de la configuration du système.

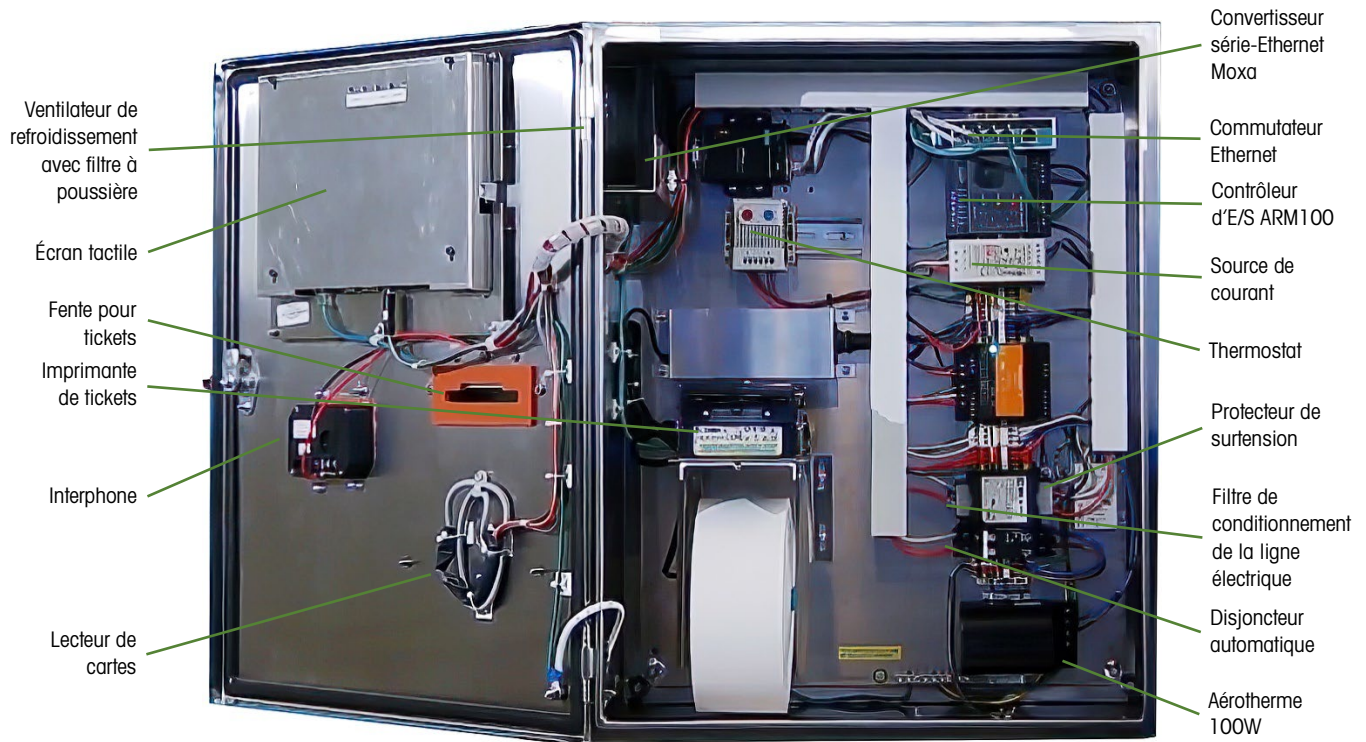


Figure 1-3: Agencement interne de l'IND9UT-DB avec écran tactile

- La Figure 1-3 montre un IND9UT-DB avec des fonctionnalités optionnelles telles qu'un ventilateur de refroidissement. D'autres configurations sont possibles, y compris des composants tels qu'un convertisseur Ethernet à fibre optique.

1.3. Spécifications

1.3.1. Dimensions Physiques

Les dimensions des boîtiers de l'IND9U sont indiquées sur la Figure 1-4.



Figure 1-4: Dimensions, boîtier en acier inoxydable mince

1.3.2. Conditions relative à l'alimentation

ATENCIÓN

AVANT DE BRANCHER ET DE DÉBRANCHER LES COMPOSANTS ÉLECTRONIQUES INTERNES OU D'EFFECTUER DES CONNEXIONS ENTRE LES APPAREILS ÉLECTRONIQUES, TOUJOURS METTRE HORS TENSION ET ATTENDRE AU MOINS TRENTE (30) SECONDES AVANT DE CONNECTER/ DÉCONNECTER LES APPAREILS. NE PAS RESPECTER CES CONSIGNES POURRAIT ENTRAÎNER DES BLESSURES OU ENDOMMAGER, VOIRE DÉTRUIRE L'APPAREIL.

Le terminal IND9U nécessite une source d'alimentation d'entrée de 220 V CA ou de 115 V CA. La consommation électrique nominale est de 6A (115 V CA) ou 3A (220 V CA), mais varie selon les options installées. Voir l'étiquette des valeurs électriques nominales sur le côté du boîtier afin de déterminer la tension appropriée de commande. Les fusibles des systèmes sont de 6 A.

L'alimentation des instruments doit être fournie par un circuit de dérivation distinct qui n'est pas partagé avec un équipement bruyant, tel que moteurs, soudeurs, etc. 100 à 240 V CA, 50-60 Hz, 6 A max.

Pour des raisons de sécurité, une bonne mise à la terre est requise.

1.3.3. Environnement opérationnelle et de stockage

L'IND9U standard (sans imprimante) peut être utilisé à des températures entre -10°C et +40°C (14°F et 104°F). Avec une imprimante, la température opérationnelle minimum sans élément chauffant optionnel est de 5 °C (41 °F). Avec un élément chauffant optionnel, la température opérationnelle minimum est de -30 °C (-22 °F). La température de stockage est entre -20 °C et +60 °C (4 °F et 140 °F).

1.3.4. Zones dangereuses



L'IND9U n'est pas un appareil intrinsèquement sécuritaire et ne doit pas être exploité dans des zones classées dangereuses par le Code national d'électricité (NEC) en raison de l'atmosphère combustible ou explosive de ces zones. Pour de plus amples informations sur les applications en zones dangereuses, contacter un représentant METTLER TOLEDO agréé.

1.4. Configuration de l'imprimante

Lorsqu'une imprimante doit être installée, un serveur d'imprimante est inclus avec l'imprimante. Un commutateur Ethernet multiport permet à OverDrive PC d'utiliser une seule ligne de dérivation Ethernet pour communiquer avec le terminal, les convertisseurs Ethernet/série, l'interphone VOIP et l'imprimante. Le serveur de l'imprimante USB sert également de pont entre l'interface Ethernet de l'Overdrive PC et celle de l'USB sur l'imprimante.

1.5. Fonctionnement primaire/distant

Une configuration IND9US sans supervision nécessitant un terminal d'entrée et de sortie sur une balance simple doit utiliser une configuration primaire/distant. La technologie de groupage de l'IND780 est utilisée à cet effet puisqu'elle permet au terminal distant d'écrire ses informations périphériques de série sur le terminal primaire. En installant un IND9UT-DB avec les terminaux multiples, il est seulement nécessaire de configurer l'adresse IP pour chaque terminal, comme expliqué dans le **Guide de utilisateur DataBridge**.

1.6. Options et accessoires

L'IND9U est disponible en trois différents boîtiers:

- IND9UT et IND9US: 610mm x 354mm x 254mm (24" x 10" x 10")
- En option: 762mm x 354mm x 254mm (30" x 24" x 10")

* Un ventilateur et/ou un élément chauffant (100W ou 150W) peuvent être installés dans n'importe laquelle des enceintes.

Chaque type peut être équipé avec une variété d'options et d'accessoires. Selon les options installées, certaines configurations nécessitent une armoire plus grande. Reportez-vous au Chapitre 3 de ce manuel, **Pièces et accessoires**, pour une liste complète d'éléments disponibles.

1.6.1. Affichage LCD

L'écran comprend un écran LCD de 12,1 pouces avec écran tactile résistif, une résolution LCD maximale de 1024x768 et une interface HDMI ou VGA.

1.6.2. Clavier

Le clavier, programmé en usine, est en acier inoxydable et certifié IP65. Il comprend un câble PS/2 et des touches à revêtement MTWT pour éviter la corrosion.

1.6.3. Imprimeur

Trois types d'imprimantes thermiques sont disponibles, deux de style kiosque et un monté sur porte. Les types de kiosque utilisent une interface RS-232 ou Ethernet et un rouleau de papier de 80 mm de large. L'imprimante montée sur porte est fabriquée par Hengstler et utilise un rouleau de papier de 60 mm.

1.6.4. Lecteur

Un lecteur de carte de proximité RFID AWID avec indicateur d'état LED peut être installé sur la porte d'entrée de la IND9U.

Un lecteur de code-barres et de codes QR peut être installé sur la porte avant de l'IND9U.

Une interface SmartPass AVI (alimentation et isolation COM uniquement) peut être installée à l'intérieur de l'IND9U.

1.6.5. Interphone

Un interphone LE-DA modèle AIPhone peut être installé sur la porte avant de l'IND9U, et connecté à la station de base via un câblage direct ou via une connexion VOIP Ethernet.

1.6.6. E/S

Un module E/S ARM100 est disponible et se monte à l'intérieur de l'IND9U. L'ARM100 fournit quatre entrées et six sorties, et communique via un lien RS-485.

1.6.7. Kit de communication sans fil

Le kit WiFi est un kit d'accessoires préprogrammés de bout en bout installé sur site (30500111).

1.6.8. Interface à 2 boucles

Un détecteur de boucle 2 canaux de la série Reno A&E AX2 peut être monté sur rail DIN à l'intérieur de l'IND9U.

2 Installation

2.1. Présentation générale

Ce chapitre porte sur l'installation du terminal IND9U. Lisez attentivement les informations qui y figurent avant de procéder à l'installation.

- Inspectez bien l'emballage livré par le transporteur.
- Si l'emballage d'expédition semble avoir subi des dommages, recherchez tout dommage interne potentiel et déposez une réclamation auprès du transporteur, le cas échéant.
- Si l'emballage n'a subi aucun dommage, déballez le terminal de son emballage protecteur en prenant note de la méthode d'emballage utilisée et vérifiez qu'aucun composant n'est endommagé.

Lorsque vous devez envoyer le poste du conducteur, il est recommandé d'utiliser le conteneur initial ayant servi à l'expédition. Il doit être emballé correctement afin d'en garantir un transport sécuritaire.

2.2. Déballage et inspection

2.2.1. Liste de contrôle de contenu

Les éléments suivants sont livrés avec les IND9U:

- Terminal IND9U
- CD de documentation
- Schéma imprimé de l'assemblage de l'enceinte avec diagramme du câblage
- 1 rouleau de papier (si une imprimante est commandée)

Selon la configuration de l'IND9U commandé, d'autres éléments peuvent être inclus. Voir les spécifications du terminal à la Figure 1-1.

2.2.2. Inspection

Après avoir déballez le terminal, ouvrez le boîtier pour déterminer si le produit a subi des dommages pendant l'expédition. En particulier, si une imprimante est installée, vérifiez si elle est bien fixée et intacte – voir la section 2.8, Configuration de l'imprimante et préparation pour l'expédition pour de plus amples informations.

Avant d'alimenter le terminal, enlevez tous les dispositifs de fixation pour l'expédition (attaches de câble en plastique) de l'imprimante.

2.3. Montage du boîtier

L'IND9U est conçu pour être monté sur un pôle ou un mur, soit à l'intérieur, soit à l'extérieur. L'armoire doit être montée à l'aide des quatre supports attachés à celle-ci, deux en haut et deux en bas. Veuillez noter que les armoires en acier inoxydable sont fournies avec des pieds de montage en acier inoxydable. Les armoires sont expédiées avec les pieds de montage déjà installés.

Acier inoxydable



Figure 2-1: Pieds de montage du boîtier

- Le diamètre des orifices indiqués à la Figure 2-1 est de 0,41 po/1 cm.

L'IND9U doit être installé sur une surface plane ou, éventuellement, sur un pôle. En fonction de la surface sur laquelle il est installé, les fixations peuvent inclure des vis à bois, des ancrages pour murs en béton ainsi que des ancrages pour cloisons sèches.

2.3.1. Préparation pour montage

Pour préparer l'IND9U en vue de l'installation murale, procédez comme suit :

- Marquez les points de fixation
- Installez les supports de fixations

Utilisez l'armoire, avec les pieds fixés, comme modèle pour marquer la position des orifices de fixation sur la surface de montage.

Une fois que les positions de trou de montage sont établies, procédez selon l'une des méthodes suivantes, selon le type de surface murale face.

- Remarque: Le matériel pour le montage du terminal sur une surface verticale n'est pas inclus avec le terminal. Vous devez vous le procurer localement. Assurez-vous que le matériel de montage est capable de supporter le poids du terminal qui est d'environ 60 lb (27 kg).



ATTENTION

LORS DE L'EXECUTION DES PROCEDURES SUIVANTES, PORTEZ UNE PROTECTION CORPORELLE APPROPRIEE, TELLE QUE DES LUNETTES DE SECURITE AGREEES, DES PROTECTEURS D'OREILLE ET DES GANTS.

2.3.2. Montage mural : béton et blocs en ciment

Lors de l'installation de l'IND135 sur un bloc en béton, béton coulé ou un mur de ce type, le boulon de montage recommandé est :

- Ancrage manchon pour béton agréé UL, taille de ¼ po (6 mm), encastré à un minimum de ½ po (12,7 mm), force d'arrachement minimum de 500 lb (266 kg) minimum.

La Figure 2-2 illustre un exemple de boulonnerie de montage.



Figure 2-2: Boulonnerie pour montage sur panneau de revêtement, béton ou ciment

1. Percez un trou par mesures/emplacements que vous avez marqués pendant la préparation pour l'installation murale. Utilisez une mèche au carbure conformément à ANSI B94, 12-77 de la même taille que le diamètre d'ancrage (généralement 5/16 po [8 mm]). Le trou doit être plus profond que ½ po (12 mm).
2. Nettoyez les trous avec une brosse en fer.
3. Assurez-vous que la tête du boulon s'aligne avec la partie supérieure filetée de l'ancrage. Introduisez ensuite l'ancrage par les trous de montage dans le matériau de base.
4. Poussez l'ancrage jusqu'à ce que la rondelle soit bien contre le mur.
5. Resserrez chacun des boulons avec une clé (utilisez un tournevis pour les têtes plates/rondes), environ trois ou quatre tours complets ou jusqu'à ce que l'ancrage se trouve bien placé dans le matériau de base.

2.3.3. Montage mural : surface en bois

Lors de l'installation de l'IND135 sur un mur en bois ou une surface semblable, utilisez quatre vis (n° 12) d'une longueur de 1 ¼ po (30 mm) minimum, chacune d'entre elles avec une rondelle plate d'un diamètre minimum de ½ po (12 mm).

2.3.4. Positionnement du terminal sur les fixations

Installez les fixations par les trous dans les supports de montage du boîtier et insérez-les dans les trous percés pour les recevoir. Serrez le boulon pour prolonger l'écrou à ailettes et continuez de serrer jusqu'à ce que le support soit bien serré contre la surface. La Figure 2-3 illustre la relation entre le support, la boulonnerie et le mur.

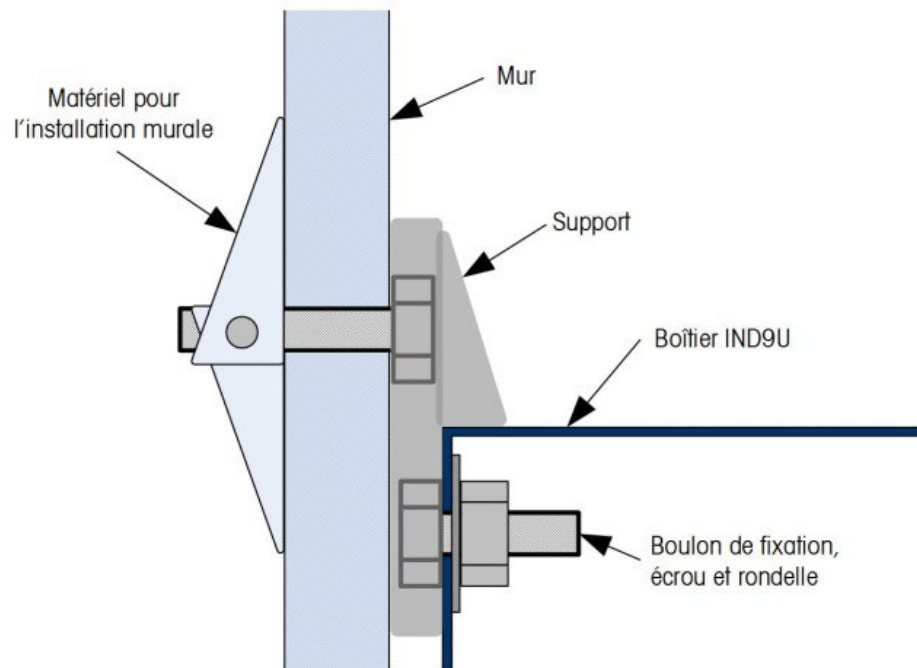


Figure 2-3: Installation sur mur ou cloisons sèches

Inspectez régulièrement le boîtier pour garantir une bonne fixation murale. Si la fixation murale n'est pas bien serrée, resserrez les boulons de fixation.

2.3.5. Montage sur pôle

Un kit de montage sur pôle (référence 64050167) peut être utilisé avec l'armoire en acier inoxydable. Lorsqu'une armoire en fibre de verre est montée sur un pôle, une paire de plaques de fixation (référence 64086166) est nécessaire. Ces plaques ne sont pas comprises avec le kit de montage sur pôle.

Figure 2-4 présente une vue éclatée des composants du kit dans une installation type.

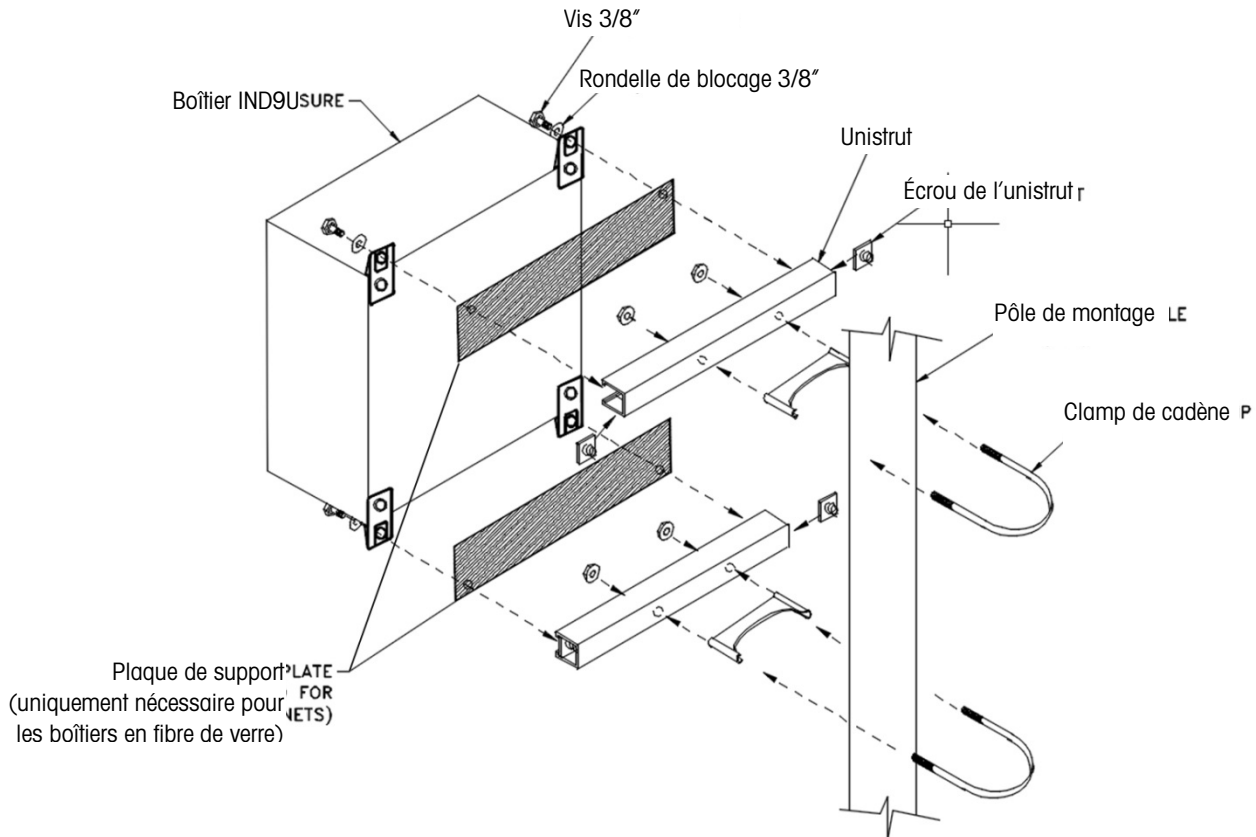


Figure 2-4: Composants du kit pour montage sur pôle

2.3.6. Sous-ensemble de blocage d'aération

Deux plaques carrées de 4,6 x 4,6 po (11,7 x 11,7 cm) sont fournies avec chaque IND9U, expédiées dans l'emballage de la documentation. Elles s'installent à l'intérieur de l'armoire, sur les deux aérations pour empêcher l'air froid de pénétrer dans l'armoire lorsque le temps est froid et venteux. Enlevez le revêtement en plastique de chaque kit de filtre en mousse, placez la plaque de blocage d'aération dans l'ouverture et remettez l'étiquette du couvercle en place. Assurez-vous que le côté portant les étiquettes blanche et jaune est orienté à l'intérieur de l'armoire afin de pouvoir lire les étiquettes. Enlevez les plaques bloquant l'aération lorsque la température extérieure est supérieure à 10 °C (50 °F).

2.4. Entrées du câble

Les entrées du câble sont spécifiques au site et à l'application. Des trous pour l'entrée du câble sont faits lorsque le terminal est installé. En principe, les câbles entrent dans le boîtier de l'IND9U par les prises de câble en bas de l'armoire.

2.4.1. Prise de câble

Les prises de câble doivent être assemblées et mises à la masse selon l'illustration de la Figure 2-5.

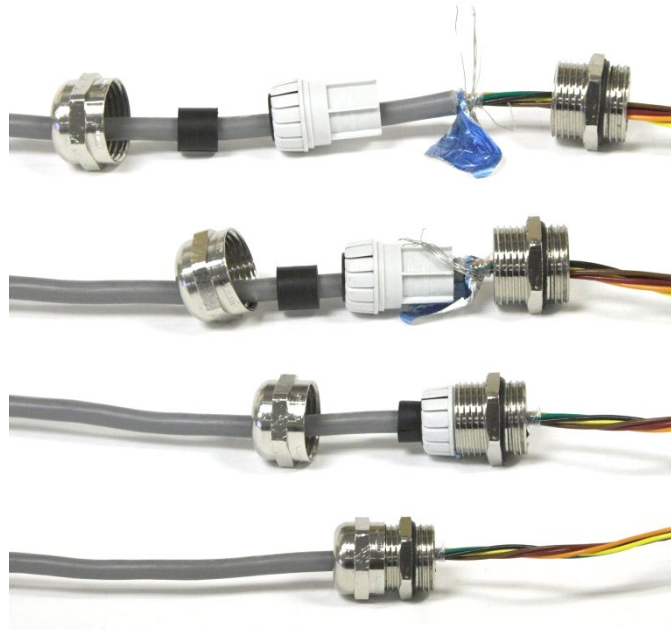


Figure 2-5: Assembler la prise de câble

2.5. Installation des câbles et des connecteurs

2.5.1. Connexions du câblage pour alimentation d'instrument

Toutes les configurations de l'IND9U sont fournies avec des provisions permettant d'alimenter le terminal de pesage. L'alimentation de l'instrument sera étiquetée X1, X2 et GND.

- X1 est activé sur un système monophasique
- X2 est soit neutre dans un système monophasique, soit L2 dans un système biphasique
- GND est la mise à la terre, quelle que soit la distribution de l'alimentation

Pour une meilleure performance du système, l'alimentation de l'instrument doit être connectée à un circuit de dérivation CA dédié, propre. Évitez d'acheminer des lignes d'alimentation dans un conduit transportant également des lignes vers un équipement CA « bruyant », tel que moteurs, soudeurs et solénoïdes.

Les fusibles de X1 et X2 disposent de disjoncteurs 6A 250 V CA. Après avoir connecté les fusibles de X1 et X2, les étiquettes sont changées à 1 et 2 pour indiquer que le circuit est protégé.

Pour optimiser la performance, n'ajoutez pas d'autres charges inductives CA à l'alimentation de l'instrument.

2.5.2. Connexions du câblage pour l'alimentation de la commande

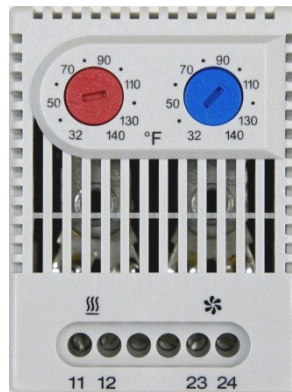
Sur les systèmes IND9U dotés des charges de sortie commutées, telles que les lumières de signalisation, portiques, etc., une connexion d'alimentation est fournie. L'alimentation de contrôle est identifiée comme des blocs de terminal avec des étiquettes 1, 2 et GND.

- 1 est excité sur un système monophasique
- 2 est soit neutre dans un système monophasique, soit L2 dans un système biphasique
- GND est la mise à la terre, quelle que soit la distribution de l'alimentation

■ Le câblage sur site doit posséder une isolation résistant à au moins 90 °C.

2.6. Paramètres de température pour le thermostat optionnel

Si l'IND9U est équipé d'un système de contrôle de l'environnement optionnel, son thermostat doit être réglé tel qu'indiqué à la Figure 2-6.



Cadran gauche (rouge): 50°F

Cadran droit (bleu): 100°F

Figure 2-6: Réglages du thermostat double

Deux autres thermostats sont disponibles : pour un élément chauffant uniquement, pour un ventilateur uniquement. Leurs réglages doivent être les mêmes que ceux des cadrans à gauche et à droite respectivement, présentés à la Figure 2-6.

2.7. Connexions de câblage pour les options E/S numériques

Un module E/S distant ARM100 est inclus dans l'IND9U. À l'exception des entrées de tension de secteur qui doivent être isolées, tous les points E/S prennent leur origine ou se terminent au niveau des terminaux ARM100. Les sections suivantes expliquent ces connexions, y compris:

- Source d'alimentation externe
- Entrées
- Port série
- Sorties

2.7.1. Alimentation externe

Pour satisfaire aux conditions d'approbation en matière d'électricité et protéger l'ARM100 des influences externes, seule une alimentation externe de Classe 2 peut être connectée comme source d'alimentation à l'ARM100.

- L'intégrité de la mise à la terre de l'équipement est importante pour la sécurité et pour la fiabilité d'exploitation du module ARM100. Une mise à la terre défectueuse peut s'avérer dangereuse en cas de court-circuit dans l'appareil. Une bonne mise à la terre est également nécessaire afin de minimiser les impulsions électriques parasites.

Connectez le conducteur positif de la source d'alimentation externe 10 à 32 V CC à la borne +24V et le conducteur négatif de la source d'alimentation à la borne de mise à la terre (Gnd) sur l'ARM100 (voir la Figure 2-7).



Figure 2-7: Connexions du port série

2.7.2. Port série

Le port série bidirectionnel sur l'ARM100 fournit uniquement une connexion à RS-485. Raccordez les deux connexions du réseau RS-485 aux deux bornes sur l'ARM100 telles qu'identifiées à la Figure 2-8.

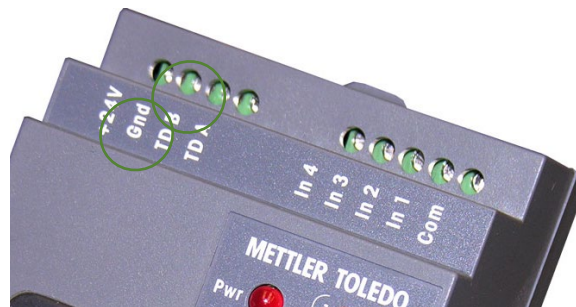


Figure 2-8: Connexions du port série

Un exemple de câblage de deux modules ARM100 au terminal IND570 est illustré à la Figure 2-9 et dans le Tableau 2-1.

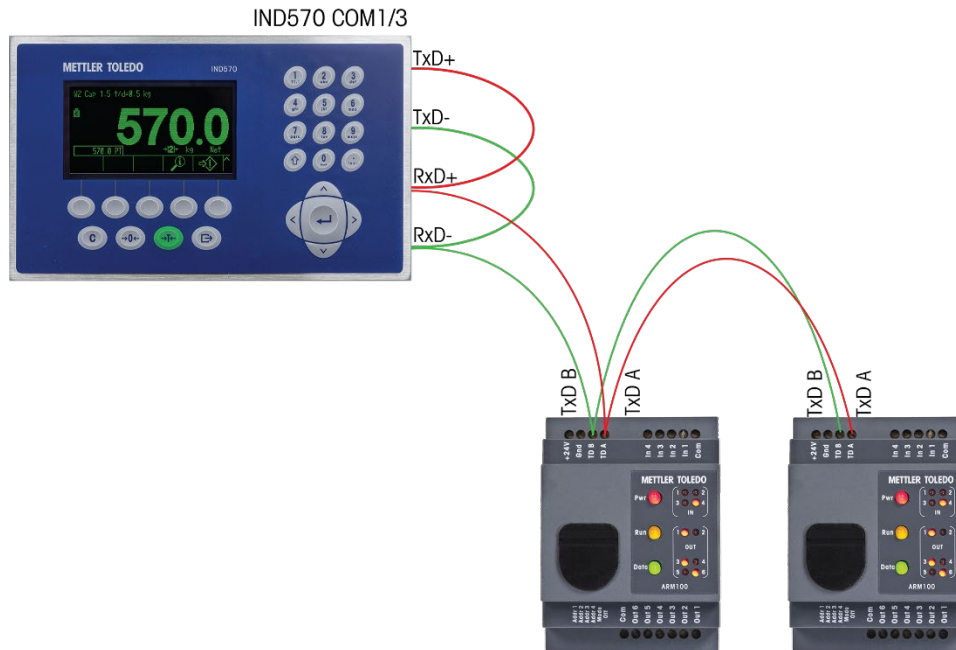


Figure 2-9: Exemple de câblage

Tableau 2-1: Détails du câblage du port série

Terminal				
IND570/IND780	IND690	ARM100 N° 1	ARM100 N° 2	ARM100 N° n
TxD+	TxD+/RxD+	TxD A	TxD A	TxD A
* TxD-	TxD-/RxD-	TxD B	TxD B	TxD B
RxD+				
RxD-				

* L'IND570 et l'IND780 requièrent deux fils cavaliers tel qu'indiqué ci-dessus.

2.7.3. Configuration commutateur DIP ARM100

Les interrupteurs DIP situés derrière le rabat caoutchouté sur l'avant de l'ARM100 doivent être réglés tels qu'indiqués à la Figure 2-10.



Figure 2-10: Réglages des commutateurs DiP de l'ARM100

2.7.4. Entrées

Une borne est fournie pour chacune des quatre entrées discrètes ainsi que pour la connexion commune à toutes les entrées. Ces bornes sont illustrées à la Figure 2-11.



Figure 2-11: Entrées discrètes

Les entrées à l'ARM100 sont passives. Cela signifie qu'une source de tension externe doit être fournie pour l'alimentation afin de déclencher une entrée. Cela permet à d'autres dispositifs tels que les PLC de fournir la tension du déclenchement (entre 5 et 30 V CC à 10 mA max) pour activer les entrées. La masse logique de l'appareil externe doit être connectée au commun des entrées de l'ARM100. Pour pouvoir utiliser l'interrupteur à bouton avec ces entrées, une source d'alimentation externe doit également être fournie. Un exemple de câblage vers les entrées passives est illustré à la Figure 2-12.

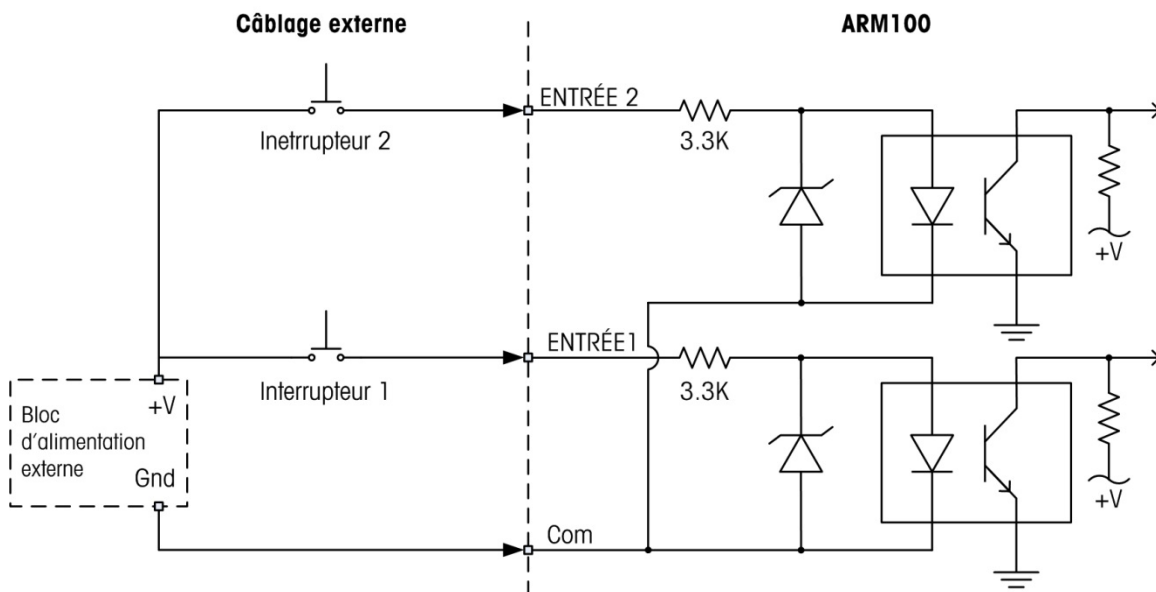


Figure 2-12: Câblage des connexions d'entrée

2.7.5. Sorties

Une borne est fournie pour chacune des six sorties à contact sec ainsi que pour la connexion commune à toutes les sorties. Ces bornes sont illustrées à la Figure 2-13.



Figure 2-13: Sorties discrètes

Les sorties de relais peuvent commuter entre 24 et 280 V CA ou entre 5 et 30 V CC à 1 A maximum. Le courant total des relais doit être limité à 3 A. Les sorties relais ne sont pas sensibles à la polarité dans la mesure où elles sont à contact sec. Un exemple de câblage vers les sorties est illustré à la Figure 2-14.

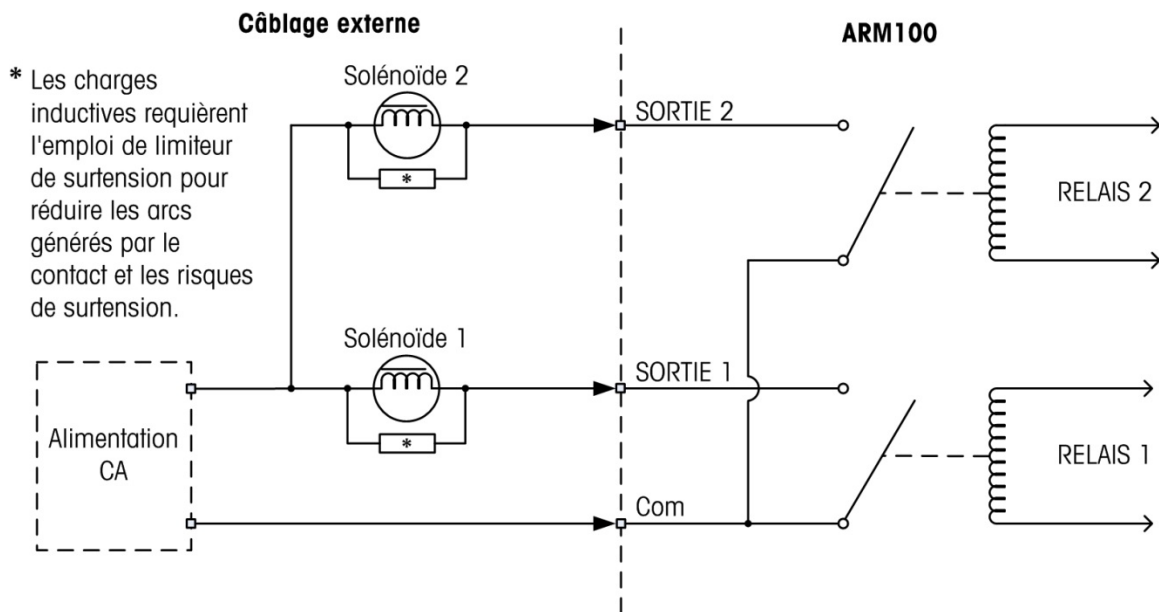


Figure 2-14: Câblage des connexions de sortie

2.8. Configuration de l'imprimante et préparation pour l'expédition

2.8.1. Imprimante Star

2.8.1.1. Chargement du papier

- Remarque: Cette procédure suppose que l'imprimante est alimentée pour lui permettre d'alimenter le papier qui vient d'être chargé.
7. Pour charger le papier dans l'imprimante, toute la tête d'impression doit être tournée vers l'avant en soulevant la grande poignée verte centrale (Figure 2-15) pour désengager le loquet, puis en tirant vers l'avant.

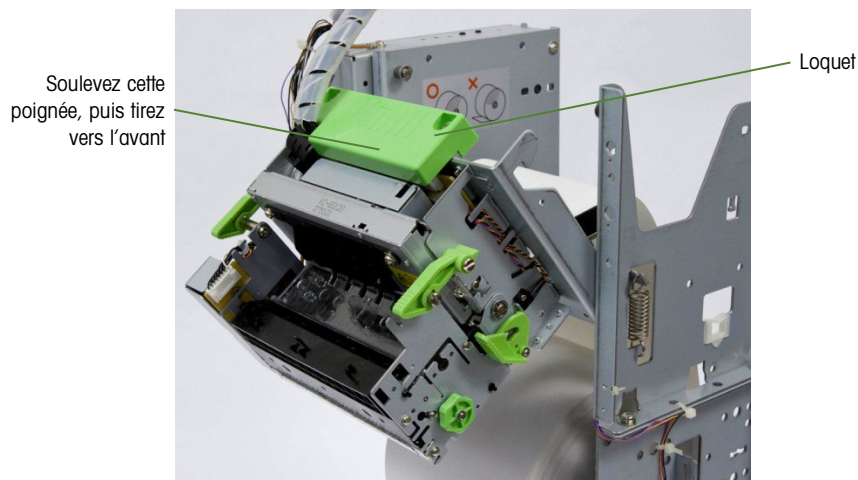


Figure 2-15: Tête d'impression relâchée pour le chargement du papier

8. La broche du papier repose dans deux fentes en forme de U. Avec la tête d'impression inclinée vers l'avant, soulevez la broche vers le haut et l'extérieur.
9. Placez le nouveau rouleau de papier sur la broche.
10. Replacez les extrémités de la broche dans les fentes en forme de U, en prenant note de l'orientation du papier – son extrémité dirigée vers l'avant depuis le dessus du rouleau - voir l'illustration sur le côté interne de l'imprimante.
11. Pour alimenter le papier par la tête d'impression, placez son extrémité coupée sur la plaque en acier inoxydable et déplacez-la vers l'avant dans la fente noire, jusqu'à ce que la cellule photoélectrique le détecte ; l'imprimante alimente ensuite automatiquement le papier en position Prêt.
12. Remettez la tête d'impression en position verticale (Figure 2-16).

Lorsque le papier est chargé dans l'imprimante, il y aura du mou dans le rouleau chaque fois que l'imprimante n'est pas en train d'imprimer – voir la Figure 2-16.



Figure 2-16: Rouleau de papier chargé correctement

Le papier doit rouler librement ; ajoutez une petite quantité de lubrifiant aux roulements du rouleau, le cas échéant.

2.8.1.2. Position du détecteur de niveau bas de papier

Le détecteur de niveau bas de papier doit être placé près du centre du rouleau du papier, mais ne doit pas interférer avec la broche rotative. Desserrez la vis à tête moletée indiquée dans Figure 2-17 pour ajuster la position du capteur.

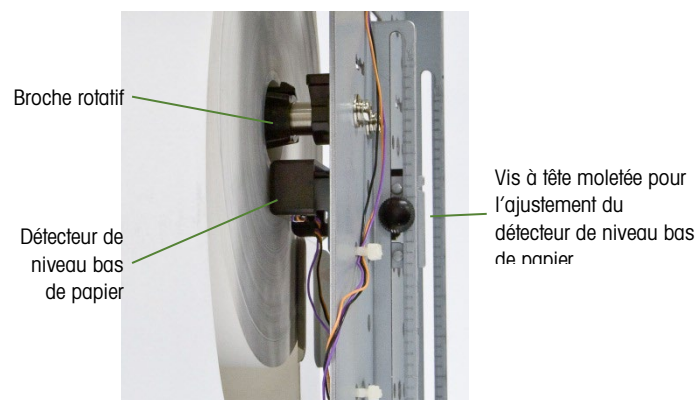


Figure 2-17: Position du détecteur de niveau bas de papier

2.8.1.3. Déblocage des blocages de papier

Si le papier est bloqué dans la tête d'impression, ouvrez la tête d'impression. Tirez sur les deux petites attaches vertes (une attache est indiquée à gauche à la Figure 2-18), abaissez l'attache inférieure verte plus basse (indiquée au centre de la Figure 2-18), puis inclinez la partie frontale de la tête d'impression vers l'avant.

- Remarque : Ces attaches sont relâchées uniquement pour débloquer les obstructions, et pas pour charger le papier.

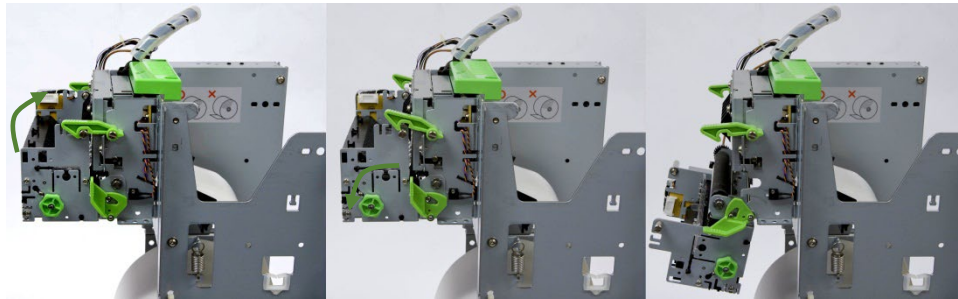


Figure 2-18: Tête d'impression fermée (gauche), Non verrouillée (centre) et Ouverte (droite)

Avec la tête d'impression ouverte, le papier peut être tiré jusqu'à ce que le chemin du papier ne comporte plus d'obstacle. Fermez la tête d'impression en la poussant à son emplacement et en enclenchant les deux attaches.

2.8.1.4. Préparation pour l'expédition

AVIS

NE PAS BLOQUER CORRECTEMENT LES COMPOSANTS DE L'IMPRIMANTE AVANT L'EXPÉDITION PEUT ENDOMMAGER, VOIRE DÉTRUIRE, L'APPAREIL.

Avant d'expédier l'imprimante, les composants doivent être sécurisés à l'aide d'attaches en plastique. Si les composants ne sont pas sécurisés, ils risquent d'endommager le mécanisme de l'imprimante pendant l'expédition.

À la Figure 2-19, repérez les deux petites attaches blanches en plastique sécurisant la broche de papier au cadre de l'imprimante, les deux grandes attaches noires étant connectées pour bloquer l'imprimante.



Figure 2-19: Imprimante Star sécurisée pour l'expédition

2.9. Fermeture du boîtier

Pour vous assurer que le boîtier de l'IND9U fournit une protection continue contre l'humidité et la poussière, veillez à ce que les étapes suivantes soient respectées:

1. Assurez-vous que les prises du cordon sont adaptées au diamètre extérieur du câble utilisé. Si l'espace est trop important, remplacez la prise du cordon par une prise de taille adéquate.
2. Si vous n'utilisez pas de prise de cordon, bouchez-en l'entrée pour éviter que des débris ne pénètrent dans le boîtier.
3. Lorsque vous ajoutez des entrées de câble, évitez de les placer sur la surface supérieure du boîtier. Dans la mesure du possible, la partie inférieure du boîtier est l'endroit idéal des entrées de câble. Les côtés sont également recommandés.
4. Assurez-vous que le loquet à demi-tour (Figure 2-20) est totalement engagé lorsque la porte du boîtier est fermée. Veillez à ce que le câble installé sur le site ne se prenne pas dans le joint de la porte. Il pourrait subir des dommages et affecter l'étanchéité, favorisant ainsi la pénétration de l'humidité et des débris dans le boîtier.



Figure 2-20: Loquet à demi-tour

3 Pièces et accessoires

3.1. Pièces

3.1.1. Câbles

64042152	Harnais Ethernet patch, 30 cm
64067149	Câble Ethernet, 1 m.
64077017	Câble Ethernet, 15 cm
71211075	Câble USB PS60
64087869	MOXA, clavier, affichage, harnais AWID
64079395	Assemblage de câble d'alimentation +5V, affichage
64080690	Assemblage de câble DB9F à ARM100
64080708	5E câble Ethernet patch, extérieur

3.1.2. Protection

64090245	Parasurtenseur 277 V CA
64080298	Disjoncteur 2P, 6A, UL489
64079748	Filtre de ligne Cosel, 10A, montage DIN
64063297	Isolateur RS-232, B&B Electronics

3.1.3. Alimentations

64090846	Alimentation montage DIN, 5 V, 15 W
64090847	Alimentation montage DIN, 12 V, 30 W
64090849	Alimentation montage DIN, 12 V, 15 W
64090848	Alimentation montage DIN, 24 V, 60 W

3.1.4. Commutateurs Ethernet

64086036	Commutateur Ethernet, 8 ports, 5V PWR
30084876	Commutateur Ethernet, 5 ports, montage DIN, MOXA
64063233	Commutateur Ethernet, 5 ports, montage DIN, Weidmuller

3.1.5. E/S Modules

64050435	Module d'entrée, 4-32 V CC, montage DIN, No. 91F2039
64054153	Module d'entrée, 90-140 V CA, montage DIN
64056872	Module d'entrée, 180 à 280 V CA montage DIN
64050436	Module de sortie, 5-60 V CC, montage DIN
64050663	Module de sortie Opto, 12 à 280 V CA, 5A, montage DIN

3.1.6. MOXAs

64067147	Port Serveur, NPORT 5110, RS-232 à Ethernet
64067148	Port Serveur, unique, NPORT 5130, RS-485 à Ethernet

3.1.7. Écran tactile

30612455	Ensemble écran tactile / LCD utilisé sur IND9UT
30648779	Ensemble écran tactile / LCD utilisé sur IND9UT-DB
30722245	Carte uSD programmée de remplacement pour l'ensemble LCD IND9UT-DB
30665936	Ensemble de câbles USB mâle -> mâle de remplacement pour l'ensemble d'écran tactile LCD IND9UT
30587889	Biseau LCD de remplacement, acier inoxydable
30126813	Joint de remplacement pour biseau LCD
30076985	Câble d'alimentation de remplacement avec fiche cylindrique pour l'assemblage LCD

3.1.8. Thermostat

64057479	LV. Thermostat pour ventilateur
64067157	LV. Thermostat pour chauffage
64067158	STEGO Thermostat double, chauffage/refroidissement

3.1.9. Capot de l'imprimante

64083558	Petite housse SST anti-pluie
64088878	Joint pour petite housse anti-pluie
64085088	Couverture pour sortie du paper, materiel V-O, IND9U
64087460	Joint pour la petite couverture de l'imprimante

3.1.10. Couvertres de composants

64091102	Couverture pour lien CA, Plexiglas
64091104	Couverture pour chauffage et thermostat

- 64091106 Support pour chauffage et thermostat
- 64091103 Couverture pour composant rail DIN, Plexiglas

3.1.11. Kit de montage, parasurtenseur

- 64089850 Kit de montage, parasurtenseur

3.2. Accessoires

Les pièces IND9U suivantes sont disponibles auprès de METTLER TOLEDO.

3.2.1. Accessoires généraux

- 64050167 Kit de montage d'enceinte pour poteau (610mm largeur max.)
- 64086166 Plaque de support sur poteau pour enceinte en fibre de verre (2 requis)
- 64050466 25 Cartes RFID AWID
- 64050168 102mm diamètre, 305 cm kit poteau (charge max. 100 kg)
- 64050169 102mm diamètre 183 cm kit poteau (charge max. 100kg)
- 64050170 183cm, 102mm diamètre poteau de trafic seulement
- 64050171 305cm, 102mm diamètre poteau de trafic seulement
- 64055081 Kit de bras pivotant pour boîtier
- 30500111 Kit sans fil de bout en bout, 5 GHz
- 64087813 Kit Ethernet sans fil, 802.11 b/g/Super G (un noeud)
- 64087938 Kit série RS232 (un bout seulement), MOXA and WiFi
- 64055604 Pare-soleil SST avec support pour montage sur poteau
- 64052105 Kit de boucle route
- 30247417 Kit de boucle route avec boucle préformée
- 30255574 Kit caméra vidéo extérieure, 3MP, TCP/IP
- 64065170 UPS en ligne, 1000VA, 800W, 115 V CA
- 30243719 UPS en ligne, 1000VA, 800W, 230 V CA
- 64052037 SmartPass4, lecteur AEI, RS232
- 64051134 Support, SmartPass, mur, 54-1620-001
- 64051453 Câble de 5 pi. pour lecteur SmartPass à Jbox
- 64069679 JBox en acier inoxydable pour câbles SmartPass
- 64064834 Câble, 6 conducteurs, AEI (SmartPass alimentation + données)

64050491	Transcore full-frame, balise passif AT5412
64084650	Feu de circulation, R/V, 203mm, LED, avec hardware de montage (rouge/vert)
64089951	Kit de poteau 76mm dia., 183cm long. (charge max. 25kg)
64089786	Kit de poteau 76mm dia., 183cm long. (charge max. 12kg)
64089931	Hardware pour extension du poteau, poteaux de 76mm ou 102mm dia.(pour WiFi)
64089984	38mm SCH40 poteau en aluminium, 152cm long., pour extension de poteau
64089985	38mm SCH40 poteau en aluminium, 305cm long., pour extension de poteau
64052143	Station de base d'interphone à 3 unités, pour LE-DA
64084550	Station de base d'interphone à 5 unités, pour LE-SS
64061353	Station de base d'interphone VoIP à 1 unite (montage mural, 120v)
64065369	Station de base d'interphone VoIP à 1 unite (montage mural, 220v)

3.2.2. Clavier/Keypad

64066213	Dekorsy clavier en acier inoxydable à 65 clefs, USB/PS2, pour cabinet en acier inoxydable
64067139	Adapteur pour clavier, PS2 à RS-232
64056740	Pavé numerique à 30 clefs, 30T-ES, personnalisé – PS2
64067140	Pavé numerique à 30 clefs, 30T-ES – RS-232
64067141	Joint pour pavé a 30 clefs

3.2.3. Imprimantes

Star 45-80mm	30082936	TUP592 assemblage imprimante, vertical, Ethernet	Ethernet
	30082937	TUP592 assemblage imprimante, vertical, RS-232	RS-232
	64066380	Rouleau de papier thermique, 80mm, 7.5" diamètre	
	64067154	Hengstler imprimante thermique, RS-232	RS-232
	64067155	Hengstler imprimante thermique, USB	USB
Hengstler	64066227	Rouleau de papier thermique, 60mm	
	64065662	Assemblage alimentation, 100-240 V CA/24 V CC	
	64067152	Serveur d'impression USB 2.0	

3.2.4. Lecteurs

Badge	64049138	Lecteur RF
	64053613	Joint pour lecteur de proximité

3.2.5. Barcode Scanner

30555317 Lecteur de codes-barres et de codes QR
64080044 Fenêtre pour lecteur de code-barres

3.2.6. Interphone

64049831 Interphone (AIRPHONE) NO. LE-DA
64055889 Joint, interphone UADT
64085104 Joint, montage I-COM
64084558 Interphone AIRPHONE, LE-SS, montage sur panneau
64065144 Interphone VOIP IP7-STX, Montage DIN

3.2.7. ARM

71209352 ARM100 E/S à distance

3.2.8. Chauffages

30398413 Chauffage, 100W, 100-240 VAC
30398414 Chauffage, 150W, 100-240 VAC

3.2.9. Vent/Ventilateur

64077274 Panneau de ventilation de persienne, SST, FIN PER 141714R
64077276 Joint pour panneau de ventilation, 4.625" x 4.625"
64067142 Filtre pour vent en aluminium
64054988 Kit filtre pour vent UADT
64084037 Ventilateur axial CC, DAYTON 6KD70
30216996 Sous-ensemble pour blocage de vent (par temps froid)

3.2.10. Détecteur de boucle

64058635 Rail DIN, connecteur à 11 broches
64067194 Détecteur de boucle, DIN monté, 2 canaux, connecteur à 11 broches, 12V CC

METTLER TOLEDO Service

To protect your METTLER TOLEDO product's future:

Congratulations on choosing the quality and precision of METTLER TOLEDO. Proper use according to these instructions and regular calibration and maintenance by our factory-trained service team ensure dependable and accurate operation, protecting your investment. Contact us about a METTLER TOLEDO service agreement tailored to your needs and budget.

We invite you to register your product at www.mt.com/productregistration so we can contact you about enhancements, updates and important notifications concerning your product.

www.mt.com/IND9U

For more information

Mettler-Toledo, LLC
1900 Polaris Parkway
Columbus, OH 43240
Phone 800 438 4511
Fax 614 438 4900



64065708