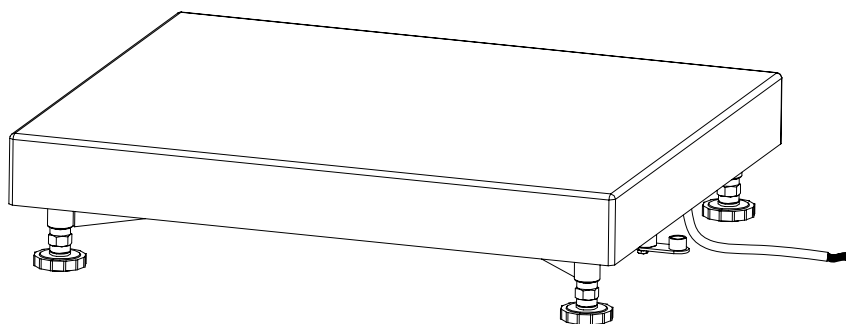


# PBA428

## Weighing platform





Congratulations on choosing the quality and precision of METTLER TOLEDO. Proper use according to these instructions and regular calibration and maintenance by our factory-trained service team ensure dependable and accurate operation, protecting your investment. Contact us about a ServiceXXL agreement tailored to your needs and budget.

We invite you to register your product at

[www.mt.com/productregistration](http://www.mt.com/productregistration)

so we can contact you about enhancements, updates and important notifications concerning your METTLER TOLEDO product.

# Contents

<b>1</b>	<b>Safety instructions .....</b>	<b>4</b>
<b>2</b>	<b>Setting up the weighing platform .....</b>	<b>5</b>
2.1	Selecting the site of installation .....	5
2.2	Leveling .....	6
2.3	Connecting the weighing platform to the weighing terminal .....	7
<b>3</b>	<b>Operation limits.....</b>	<b>8</b>
<b>4</b>	<b>Cleaning.....</b>	<b>9</b>
<b>5</b>	<b>Technical data.....</b>	<b>10</b>
5.1	Technical data of the weighing cell .....	10
5.2	Dimensions .....	10
5.3	Accessories .....	11
<b>6</b>	<b>Appendix.....</b>	<b>12</b>
6.1	Disposal .....	12
6.2	Declaration of conformity .....	13

# 1 Safety instructions

Product safety plays an important role at METTLER TOLEDO.

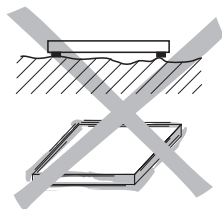
Non-observance of the following instructions can lead to damage to the weighing platform and/or injuries.

- ▲ Read this manual carefully **before** operating or servicing this equipment.
- ▲ Strictly observe these instructions and save this manual for future reference.
- ▲ Be careful when transporting or lifting heavy devices.
- ▲ Always disconnect this device from the power source before installing, servicing, cleaning or performing maintenance.
- ▲ Make sure the weighing platform reached room temperature before switching on the power supply.
- ▲ Do not use the weighing platform in hazardous environments.

## 2 Setting up the weighing platform

### 2.1

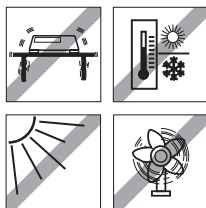
#### Selecting the site of installation



- The surface must be able to bear the weighing platform under maximum load at the points of support. At the same time it should be so stable that no vibrations arise during weighing. This is also to be observed when installing the weighing platform in conveyor and similar systems.
- If possible, platform installation should be located in an area free from vibration.

#### Ambient conditions

- Observe the following ambient conditions:
  - No direct sunshine
  - No excessive temperature fluctuations
  - Temperature range  $-10\text{ °C}$  to  $+40\text{ °C}$



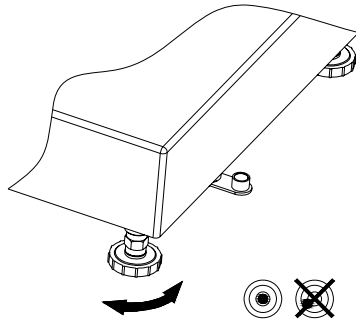
## 2.2

### Leveling

Only a weighing platform which is aligned exactly horizontally supplies exact weighing results.

The weighing platform has to be leveled during the initial installation and whenever its location is changed.

1. Turn the adjustable feet of the weighing platform until the air bubble of the spirit level is positioned in the inner circle.
2. Tighten the lock nuts of the adjustable feet.



## 2.3

### Connecting the weighing platform to the weighing terminal

The weighing platform PBA428 is designed for use with analog METLER TOLEDO weighing terminals.

1. Insert the weighing platform cable through the cable gland into the weighing terminal.
2. Connect the weighing platform cable to the 7-pin terminal strip of the weighing terminal according to the following tables.

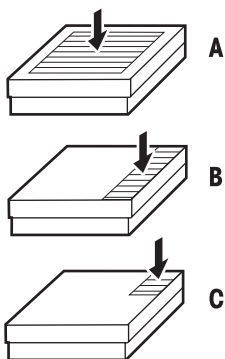
<b>PBA428-A...</b>		<b>PBA428-BB.../B.../BC.../CC...</b>	
<b>Terminal</b>	<b>Color</b>	<b>Terminal</b>	<b>Color</b>
EXC+	blue	EXC+	green
EXC-	black	EXC-	black
SIG+	white	SIG+	white
SIG-	red	SIG-	red
SEN+	green	SEN+	yellow
SEN-	grey	SEN-	blue
Shield	yellow	Shield	yellow (long)

## 3

## Operation limits

With the robust scale design you can occasionally exceed the rated capacity of the platform without damage. The maximum static safe load must never be exceeded.

→ Observe the following operation limits.



Model	A – center load	B – side load	C – corner load
PBA428-A...	40 kg / 80 lb	30 kg / 60 lb	15 kg / 30 lb
PBA428-BB...	100 kg / 200 lb	70 kg / 140 lb	35 kg / 70 lb
PBA428-B...	200 kg / 400 lb	140 kg / 280 lb	75 kg / 150 lb
PBA428-BC...	400 kg / 800 lb	300 kg / 600 lb	150 kg / 300 lb
PBA428-CC...	700kg / 1400lb	400 kg / 800 lb	200 kg / 400 lb

→ Avoid falling loads, shock loads as well as impacts from the side.



## 4 Cleaning

- Take off the load panel and remove any dirt and foreign substances which may have collected underneath it. Do not use any hard objects to do so. Do not disassemble the weighing platform.
- Only use disinfectants and cleaning agents in accordance with the manufacturers's specifications and instructions and then rinse with clean water.
- Water jet up to 85 °C, max. water pressure 8'000 kPa, minimum distance 40 cm.

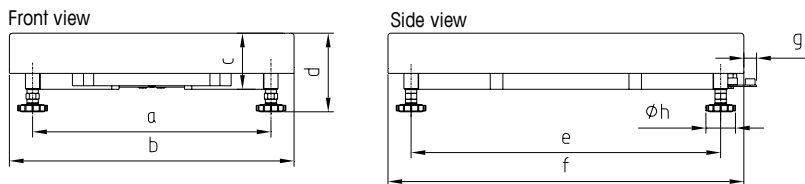
## 5 Technical data

### 5.1 Technical data of the weighing cell

Sensitivity	2 mV/V +/- 0.2 mV/V
Input resistance	381 $\Omega$ +/- 4 $\Omega$ (380 $\Omega$ +/-15 $\Omega$ )*
Output resistance	350 $\Omega$ +/- 1 $\Omega$ (380 $\Omega$ +/-10 $\Omega$ )*
Supply voltage	Rec.: 5-15 V DC/AC (5 V DC/AC)* Maximum: 20 V DC/AC (12 V DC/AC)*
Approval	None

\*Values for Platform Size A

### 5.2 Dimensions



Model – Dimension in mm/"	a	b	c	d	e	f	g	h	
PBA428-A...	mm	175	240	59	97	235	300	21	42
	"	6,89	9,45	2,32	3,81	9,25	11,81	0,83	1,65
PBA428-BB...	mm	235	300	96	122	335	400	18	42
	"	9,25	11,81	3,78	4,8	13,18	15,7	0,7	1,65
PBA428-B...	mm	335	400	108,5	134,5	435	500	18	42
	"	13,18	15,74	4,27	5,29	17,12	19,68	0,7	1,65
PBA428-BC...	mm	435	500	117,5	139,5	586	650	17	42
	"	17,12	19,68	4,62	5,49	23,07	25,59	0,67	1,65
PBA428-CC...	mm	503	600	118	140	724	800	18	42
	"	19,8	23,62	4,64	5,51	28,5	31,49	0,7	1,65

### 5.3

#### Accessories

Designation	Order No.
Stand (column) A terminal specific column adapter might be needed. The order number can be found in the user manual for the terminal.	
Stainless steel, 120 mm / 4.7" high	72 229 393
Stainless steel, 330 mm / 13" high	72 198 702
Stainless steel, 660 mm / 26" high	72 198 703
Stainless steel, 900 mm / 35.4" high	72 198 704
Stainless steel Cart	
PBA428-BC, 500 x 650 mm / 19.7" x 25.6"	72 225 939
PBA428-CC, 600 x 800 mm / 23.6" x 31.5"	72 225 940

## 6 Appendix

### 6.1



#### Disposal

In conformance with the European Directive 2002/96/EC on Waste Electrical and Electronic Equipment (WEEE), this device must not be disposed of in domestic waste. This also applies to countries outside the EU as per their specific regulations.

- Please dispose of this product in accordance with local regulations at the collecting point specified for electrical and electronic equipment.

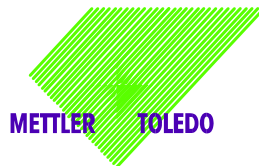
If you have any questions, please contact the responsible authority or the distributor from which you purchased this device.

Should this device be passed on to other parties (for private or professional use), the content of this regulation must also be related.

Thank you for your contribution to environmental protection.

## 6.2 Declaration of conformity

**Mettler-Toledo (ChangZhou) Measurement Technology Ltd.**  
Legal Metrology



### EC-Declaration of Conformity

EC-Konformitätserklärung  
EC-Déclaration de conformité  
EC-Declaración de Conformidad  
EC-Conformiteitsverklaring  
EC-Dichiarazione di conformità

---


We, Wir, Nous, Nosotros, Wij , Noi,

**Mettler-Toledo (ChangZhou) Measurement Technology Ltd.**  
No.111, West TaiHu Road, XinBei District, ChangZhou, JiangSu, 213125, P.R.China

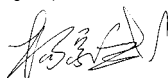
**declare under our sole responsibility that the product,**  
erklären, in alleiniger Verantwortung, daß dieses Produkt,  
déclarons sous notre seule responsabilité que le produit,  
declaramos, bajo nuestra sola responsabilidad, que el producto,  
verklaren onder onze verantwoordelijkheid, dat het product,  
dichiariamo sotto nostra unica responsabilità, che il prodotto,

### Model/Type PBA428 series weighing platform

**To which this declaration relates , is in conformity with the following standard(s) or other normative document(s),**  
auf das sich diese Erklärung bezieht, mit/der/den folgenden Norm(en) oder Richtlinie(n) übereinstimmt.  
Auquel se réfère cette déclaration est conforme à la (aux) norme(s) ou au(x) document(s) normatif(s).  
Al que se refiere esta declaración es conforme a la(s) norma(s) u otro(s) documento(s) normativo(s).  
Waarnaar deze verklaring verwijst, aan de volende norm(en) of richtlijn(en) beantwoordt.  
A cui si riferisce questa dichiarazione è conforme alla/e sequente/i norma/e o documento/i normativo/i.

EC marking	EC Directive:	Applicable Standards:
	90/384/EEC Non-automatic Weighing Instruments Directive	EN45501 Article 1.2 (b)

June 3, 2009  
Mettler-Toledo (ChangZhou) Measurement Technology Ltd.



**Yang JiaWu**  
Quality Assurance Manager







[www.mt.com/service](http://www.mt.com/service)

For more information

**Mettler-Toledo AG**

CH-8606 Greifensee  
Switzerland

Tel. +41 44 944 22 11  
Fax +41 44 944 30 60

Subject to technical changes  
© 06/2009 Mettler-Toledo AG  
Printed in Switzerland  
Order number 72230077