

Precise and Simple Pallet Weighing

Rugged, Fast and Easy to Use



Ergonomic Full Function Handle

- Easy to Lift
- Easy to Move
- Easy to Weigh



Turning Wheel

- Effortless steering
- Easy ride over uneven surfaces



Terminal

- Large 6-digit LED display
- Low power consumption and automatic shut off
- Six function keys to meet your weighing needs



Battery

- 6V DC, 10Ah
- Operating time: 55-60h
- Charging time: 8-12h



BTA221 Pallet Truck Scale

Precise and Simple Pallet Weighing

The mobile battery-powered solution for pallet weighing in one easy step. The BTA221 Pallet Truck Scale is the ideal solution for fast and precise mobile weighing in industrial and warehousing applications.

Technical data

BTA221 Pallet Truck Scale

Display

6 digit bright LED 30mm high

Capacity

2,000 kg

Precision

0.1% maximum deviation from measuring range

Display Resolution (d)

1 kg

Key Pad

6 function tactile keypad

Battery with Charger

6VDC, 10Ah

55~60 hours operating time

8~12 hours charging time

Pallet Truck Construction

Mild steel

Load Cell Capacity

1 ton x 4, 2mV/V

Lifting Height

115 mm

Fork Height

Lowered: 85 mm

Raised: 200 mm

Fork Length

1,150 mm

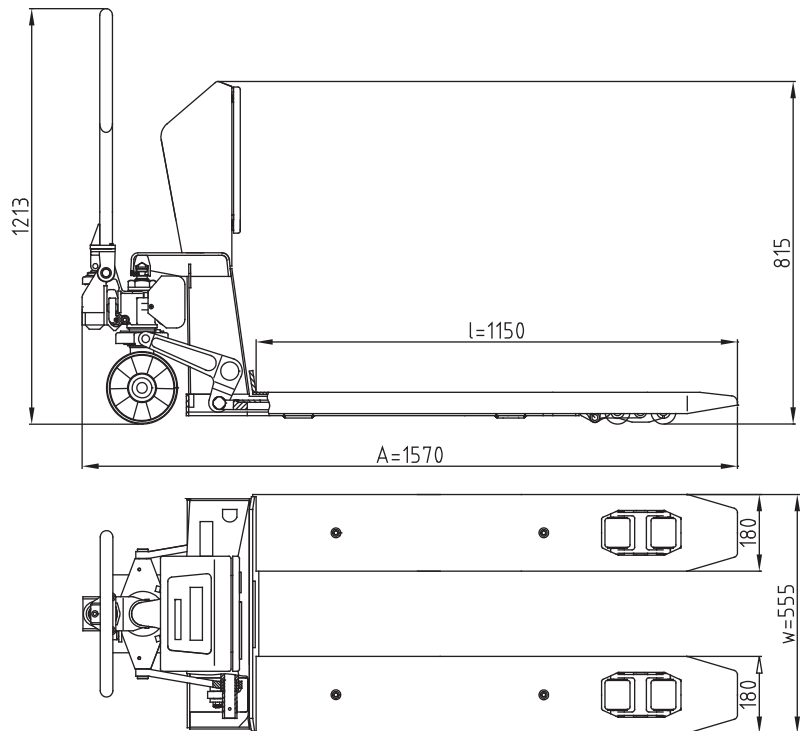
Single Fork Width

180 mm

Operating Temperature

-10°C to +40°C

<85% humidity



Pallet Truck Scale

| Item | Model | Capacity [t] | Display Resolution [kg] | Fork Size (w x l) [mm] | Length A [mm] | Shipping Information | | | |
|----------|-------------|--------------|-------------------------|------------------------|---------------|----------------------|-----------|------------|------------|
| | | | | | | Length[mm] | Width[mm] | Height[mm] | Weight[kg] |
| 72244505 | BTA221-555E | 2 | 1 | 555 x 1150 | 1570 | 1720 | 625 | 995 | 200 |

Mettler-Toledo AG

CH-8606 Greifensee

Tel. +41-44-944 2211

Fax +41-44-944 3060

Subject to technical changes
 © 06/2008 Mettler-Toledo AG
 Printed in Switzerland
 MTSI 44099420

www.mt.com

For more information