

## Minimum Sample Sizes for Maximum Savings



### SmartGrid micro

The innovative grid weighing pan, for faster and more secure weighing. The unique grid weighing pan - in perfect combination with the inner draft shield - successfully minimizes the effects of air turbulence in the weighing chamber, which dramatically shortens stabilization times. Spilled sample remains in the tray underneath and therefore doesn't affect the weighing result. The cleaning of the balance is as easy as can be and cross contamination is reduced to a minimum.



### MinWeigh Door micro

The MinWeigh Door micro allows dosing through a small window, directly into the tare container, without opening the draft shield. Thanks to less turbulence in the weighing chamber, stable results can be achieved in no time and the minimum sample weight can be reduced even further.



### ErgoClips micro

The ErgoClips micro allow secure fastening of small and odd-shaped tare containers for ergonomic weighing. Your daily weighing routine becomes faster and easier. Dosing of small amounts of precious sample directly into the desired vessel means minor loss, lower disposal costs and higher productivity.



### Automatic Dual Draft Shield

Excellence Plus XP micro balances are equipped with an automatic dual draft shield - the outer draft shield doors opens horizontally, and the inner draft shield vertically. Both are individually configurable. This not only allows easier access to the weighing pan, but also reduces air turbulence to a minimum and realizes much faster stabilization times.



### Excellence Plus XP Micro High-performance micro balances

METTLER TOLEDO is changing the world of micro balances. Excellence XP micro balances are especially qualified for micro-dosing directly into large tare containers. Sample transfer errors can thus be avoided resulting in significant cost savings, particularly for valuable materials. SmartGrid micro, SmartSens and SmartScreen - three innovations combined in one balance - ensuring comprehensive weighing security. Together with the inner draftshield they provide optimal user protection, unprecedented measurement performance, full data security and seamless traceability. Built-in warning systems visually and audibly alert the user, for instance, when the balance is not leveled or the minimum weight is not achieved. The risk of reporting invalid results is therefore significantly reduced. Quick adjustments can be made to maximize uptime and always ensure accurate results.

#### The bottom line:

- Significant cost savings due to lowest minimum sample weights (acc. USP)
- Optimal user safety
- Secure results

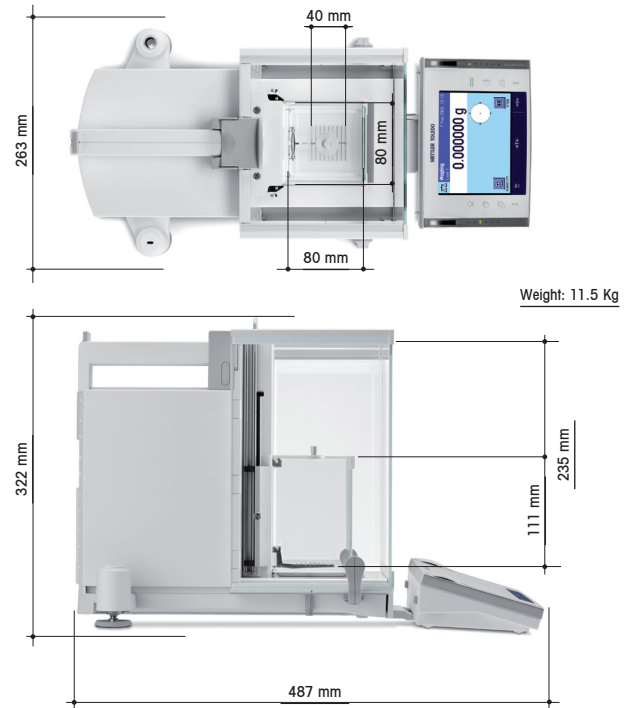
Technical data

# Excellence Plus XP

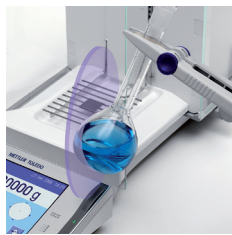
High-performance micro balances

## Standard equipment

- SmartSens sensor for handsfree operation
- SmartGrid micro grid weighing pan for fast and stable results
- SmartScreen color touchscreen display for comfortable and secure operation
- ErgoClip Basket micro for different tare containers for efficient weighing
- MinWeigh warns if the minimum weight is not reached (minimum weight determined on-site by service technician)
- UserManagement for the assignment of access rights
- LevelControl warns you when the balance is not leveled
- BalanceCheck prompts automatically for validation with external weights
- proFACT fully automatic time- and / or temperature-controlled internal adjustment and linearization
- Seven different applications with user guidance (including statistical evaluation, differential weighing and formula weighing)
- Individual reports can be defined with up to 4 IDs
- Built-in RS232 interface and two auxiliary outlets
- Slot for second interface (7 options), including Bluetooth and Ethernet
- Motorized outer and inner draft shield doors
- Completely dismantlable inner and outer draft shields for easy cleaning
- Terminal can be placed away from the balance
- Protective cover for the terminal
- Production certificate



## Security knows no alternative



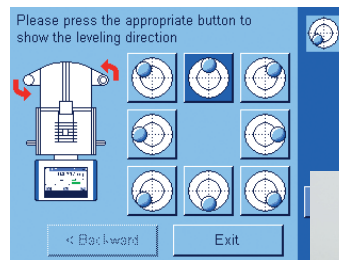
### SmartSens

increases user safety. The programmable infrared sensors allow handsfree operation of the balance. With complete focus on the sample, you can weigh valuable or toxic substances safely and without spilling.



### SmartScreen

guarantees complete control. The color touchscreen display offers individual profiles and access rights for up to eight users. The result: highest data security and full regulatory compliance.



### Level Control

Whenever your balance is not leveled, the XP sends a warning signal and proposes corrective action in the display - guaranteeing always accurate results.



Balance model	XP26	XP26DR	XP56	XP56DR
Maximum capacity	22g	22g	52g	52g
Maximum capacity, fine range	-	5.1g	-	11g
Readability	0.001mg	0.01mg	0.001mg	0.01mg
Readability, fine range	-	0.002mg	-	0.002mg
Repeatability – at nominal load (measures at)	0.0025mg (20g)	0.008mg (20g)	0.006mg (50g)	0.014mg (50g)
– at low load (measures at)	0.0015mg (1g)	0.005mg (1g)	0.0015mg (1g)	0.006mg (1g)
– at low load (measures at), fine range	-	0.002mg (1g)	-	0.002mg
Linearity	0.006mg	0.01mg	0.02mg	0.03mg
Eccentric load deviation (test load) <sup>1)</sup>	0.02mg (10g)	0.025mg (10g)	0.03mg (20g)	0.035mg (20g)
Sensitivity offset	4x10 <sup>-6</sup> • Rnt	5x10 <sup>-6</sup> • Rnt	2.5x10 <sup>-6</sup> • Rnt	3x10 <sup>-6</sup> • Rnt
Sensitivity temperature drift <sup>2)</sup>	1x10 <sup>-6</sup> /°C • Rnt	1x10 <sup>-6</sup> /°C • Rnt	1x10 <sup>-6</sup> /°C • Rnt	1x10 <sup>-6</sup> /°C • Rnt
Sensitivity stability <sup>3)</sup>	1x10 <sup>-6</sup> /a • Rnt	1x10 <sup>-6</sup> /a • Rnt	1x10 <sup>-6</sup> /a • Rnt	1x10 <sup>-6</sup> /a • Rnt
Stabilization time (coarse/fine range)	3.5s	2.5s/3.5s	3.5s	2.5s/3.5s

<sup>1)</sup> According to OIML R76

<sup>2)</sup> In temperature range from 10...30°C

<sup>3)</sup> Stability of sensitivity as from first installation with proFACT

s: seconds

a: year (annum)

## Accessories

ErgoClip Flask micro	11107879
MinWeigh Door micro	11107869
ErgoClip Basket micro	11107889
Integrable Antistatic-kit	11107761
ErgoSens sensor for balance functions	11132601
RS-P42 printer with RS232 connection	229265
BT-P42 printer with wireless Bluetooth connection	11132540
Stand for printer	11106730
Foot-operated switch for balance functions	11106741
SE-Kit XP-A Separate electronic evaluation equipment	11106743
RS232 C (interface)	11132500
Bluetooth BTS single-point (interface)	11132535
Bluetooth BT multi-point (interface)	11132530
Ethernet (interface)	11132515
PS2 keyboard connection (interface)	11132520
LocalCAN (interface)	11132505
Terminal extension cable 4.5 m	11600517
RS9-RS9 (m/f) cable, 1 m	11101051
LC-RS9 cable for LocalCAN	229065



Quality certificate ISO9001  
 Environment certificate ISO14001  
 Internet: <http://www.mt.com>  
 Worldwide service network

Subject to technical changes  
 ©04/2006 Mettler-Toledo GmbH  
 Printed in Switzerland 11795644  
 MCG MarCom Greifensee

For more information visit  
[www.mt.com/micro](http://www.mt.com/micro)