

ID1 Plus and ID1 Plus-A Compact Terminals. Rapid weighing-in with LED analog display.

- Dependable checking and classifying with colored indicator fields
- Formula weighing, totalization and counting at a keystroke
- Rugged, high-quality construction for industrial use



METTLER TOLEDO MultiRange is versatile industrial precision.

With accuracy matched to the weighing task and size of the load. The basis of this dependable precision are the measurement principles: the electromagnetic force compensation, the frequency-modulated force measurement or the strain-gauge force sensor.

Within the extensive product range of the METTLER TOLEDO MultiRange precision scales with weighing ranges spanning 0.1 g to 6000 kg, you will find exactly the right solution to your weighing tasks.

ID1 Plus Compact Terminal

The green digital display can be read rapidly free from errors. Additional dependability and time saving during weighing-in thanks to the analog LED display. In checkweighings and in classifying, three colors signal clearly and quickly whether your weighing sample lies within the preselected tolerances.

The unerring precision of the ID1 Plus is packaged in rugged chrome-nickel steel. To enable you to clean the terminal thoroughly and also meet the most exacting demands regarding hygiene. Retrofittable interfaces allow data and signal interchange with external devices.



In combination with the FAA6, FA15 or FBB30 Weighing Platforms and the stand, the ID1 Plus forms an **ergonomically operable compact scale**.

METTLER TOLEDO

Main features

| | |
|----------------------------------|---|
| Construction | Ergonomically operable angled desktop. |
| Main display | High-intensity, 7-segment fluorescent display, green, 7 places, digit height 12.5 mm, with integrated unit characters and status symbols for display of the operating mode. |
| Analog display | High-intensity, 3-color LED line. For weighing-in, checking and classifying. Dynamic display as a luminescent band or dot, static display as 3-color indicator field. |
| Display window | Scratch resistant safety glass or plastic. |
| Keypad | Tactile membrane keypad made of resistant industrial plastic, 4 function keys, scratch-resistant symbol inscription, with audio acknowledgement, key spacing 30 mm. |
| Housing | Chrome-nickel steel DIN X5 CrNi1810 throughout. |
| Type of protection | Protection against dust and water in compliance with IP65 (IEC529). |
| Power supply connection | 115/230V, +10% -15%, 50/60 Hz. |
| Power cable | With grounding pin plug, length approx. 2.5 m. |
| Power consumption | Approx. 25 VA. |
| Admissible operating temperature | -10 °C to +40 °C for certification class III. 0 °C to +40 °C for certification class II. |

Weighing functions

| | |
|--------------------------|---|
| Taring | At a keystroke or automatic (selectable), by subtraction up to maximum load. With MultiRange weighing platforms, after taring the range with the highest resolution is available at the new zero point in weighing-in and subtractive weighing. |
| Gross select | Display of the gross weight at a keystroke. |
| Zero set | Automatic or manual. |
| Unit select | Following weight units selectable at a keystroke: kg, g, lb, oz, ozt, dwf. |
| Dynamic weighing | For unstable weighing samples, e.g. animal weighing. Cycle time with choice of 3 settings. Automatic data transfer via interface (option). |
| Stability detector | Choice of 4 settings, with movement indicator. |
| Weighing process adapter | Matches the scale to the weighing sample and weighing operation, adapter choice of 3 settings. |
| Vibration adapter | Matches the scale to the instability of the surroundings, choice of 3 settings. |
| Tare indicator | Lights up when tare weight stored. |
| Test key | For display of the identification code (certification seal) and in the case of K weighing platforms for checking the measurement accuracy (internal self-calibration). |
| Control mode | For display of the weight value with enhanced resolution. |
| Restart function | Fail-safe storage of zero and tare (dependent on certification regulations). |

Plus/minus weighing

| | |
|--------------------|--|
| Weighing-in | Filling to a preset target weight. Entry of target weight, tol.(+), tol.(-) and start point of scale. Digital display shows either actual weight, difference between actual and target weight or actual weight in %. LED analog display shows actual weight either as a luminescent band or dot with a 3-color tolerance comparison display: red = too little, green = good, yellow = too much. |
| Checking | Check on whether actual weight is within the tolerances for target weight. Entry of target weight, tol.(+), tol.(-) and zero limit. Digital display shows either actual weight, difference between actual and target weight or actual weight in %. LED analog display shows checking result as a 3-color indicator field: red = too little, green = good, yellow = too much (either with or without stability detector). |
| Classifying | Test objects are sorted into different weight classes. Entry of limit 1, limit 2 and zero limit. Digital display shows actual value with class number. LED analog display shows classification result as a 3-color indicator field: red = class 1, green = class 2, yellow = class 3. |

| | |
|----------------------|--|
| Data input/output | Data and signal interchange with external devices via retrofittable interfaces (option). |
| Fixed-value memories | 25 fail-safe memories for target values and tolerances. |

Counting functions

| | |
|------------------|---|
| Piece counting | Continuously updated display, maximum 7 places. |
| Reference weight | Either with 10 parts (preferred reference) or selectable from 1, 2, 3, 4, 5, 10, 12, 15, 20, 25, 30, 40, 50 or 100 parts. |
| Counting start | At a keystroke with the possibility to switch to the current weight at any time. |

Formula weighing functions

| | |
|---------------------|---|
| Formula weighing | Switch to running net total sum and the component counter at a keystroke. |
| Totalization memory | Capacity up to 7 places. |
| Component counter | Up to 9999. |

Totalization functions

| | |
|---------------------|---|
| Totalization | Switch to running gross or net total and the item counter at a keystroke. |
| Totalization memory | Capacity up to 7 digits. |
| Item counter | Up to 9999. |

Technical data – Attachment for analog scales

General data

| | |
|--------------------------|------------------------------|
| No. of scale connections | 1 |
| Type of connection | Internal terminal connection |

Attachable METTLER TOLEDO scales

| | |
|--|--|
| MultiRange strain gauge weighing platforms | Types D...T, N...T, SPIDER, Strain gauge load mounts RWM |
|--|--|

Attachable third-party scales

| | |
|-----------------------|---|
| No. of weighing cells | 1-4 (350 Ω cells) 1-8 (1000 Ω cells) |
| Sensitivity | 0.4 ... 3 mV/V |
| Platform resistance | ≥ 87.5 Ω |

A/D converter

| | |
|-----------------------------------|--------------|
| Max. resolution, verifiable | 7500e |
| Max. resolution, actual | 75000d |
| Strain gauge supply voltage | 8.75 V |
| Limit value | 1.17 μV/e |
| Max. line length | 100 m |
| Stabilization time | typ. ≥ 0.6 s |
| Measured value update, adjustable | max. 16/s |

Options

| | | |
|---------------------------------|--|------------------|
| Interface 101* | Retrofittable plugin interface. CL 20 mA serial data interface bidirectional, 7-pin socket. | Order No. 505237 |
| Accessories CL 20 mA | CL cable, 3 m | Order No. 503749 |
| | General purpose cable, 3 m | Order No. 503743 |
| | LX80/FX85 cable, 3 m | Order No. 500410 |
| | Male connector, 7-pin | Order No. 503745 |
| Interface 102* | Retrofittable plugin interface. RS232C serial data interface bidirectional, 8-pin socket. | Order No. 505238 |
| Accessories RS232C | RS232 cable/DTE, 3 m | Order No. 503754 |
| | RS232 cable/PC, 3 m | Order No. 504374 |
| | RS232 cable/DCE, 3 m | Order No. 503755 |
| | RS232 cable/9-pin, 3 m | Order No. 504376 |
| | Male connector, 8-pin | Order No. 503756 |
| Interface 103 | Retrofittable plugin interface. Parallel interface for signal input and output, 19-pin socket. | Order No. 505239 |
| Accessories parallel I/O | GD14 Relay Interface, for signal amplification | Order No. 504371 |
| | GD14 connection cable, 10 m | Order No. 504458 |
| | Male connector, 19-pin | Order No. 504461 |
| Interface 104* | Retrofittable plugin interface. Serial interface RS422/RS485, bidirectional, 6-pin socket. | Order No. 506847 |
| Accessory RS422/485 | Cable with 6-pin connector and open end, 3 m | Order No. 204933 |
| | Male connector, 6-pin | Order No. 204866 |

* max. 1 serial interface

Delivery information

Compact Terminals

| | |
|------------------------|---|
| ID1 Plus | Order No. 505224 |
| ID1 Plus-A | Order No. 507007 |
| Packaging | Carton approx. 360 x 260 x 220 mm |
| Weight | Gross approx. 3.5 kg, Net approx. 2.8 kg |
| Documentation supplied | Operating instructions |

Compact scales

ID1 Plus Compact Terminals with stand and FAA6s, FA15s or FBB30s Weighing Platform.
See specifications bulletin of weighing platforms for technical data.

| | |
|----------------------------------|-------------------------|
| Compact Scale ID1 Plus-6 | Order No. 505234 |
| Compact Scale ID1 Plus-15 | Order No. 505235 |
| Compact Scale ID1 Plus-30 | Order No. 505236 |



Quality certificate

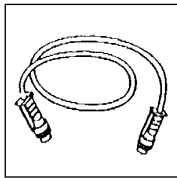
Development, production and testing following ISO 9001 (SQS/DQS certificate).



«Conformité Européenne»

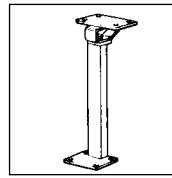
The CE mark provides you with the assurance that our products comply with the applicable EU directives.

Accessories



Extension cable for ID1 Plus

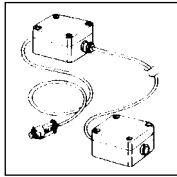
Order No. 504134,
length 10m, connector both ends



Floor stand

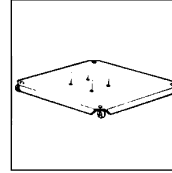
For free-standing ID1 Plus Terminal.
Incl. fastenings for bolting to the floor.

- Plastic-coated, black Order No. 504131
- Chrome-nickel steel Order No. 504132



Cable adapter kit for ID1 Plus

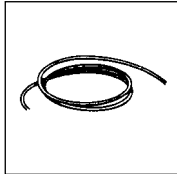
Order No. 504133, comprising two junction boxes, for extending connection cable up to 100m. Box at terminal end with connection cable of length 2.5m.



Stand base

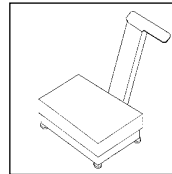
Makes floor stand mobile.

- Plastic-coated, black Order No. 503700
- Chrome-nickel steel Order No. 503701



Special cable from reel for ID1 Plus

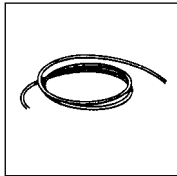
Order No. 504177
Used in combination with the cable adapter kit to extend the connection cable.



Scale stand

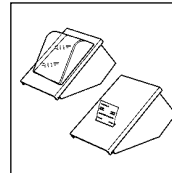
For attachment of the ID1 Plus Terminal to the FAA6s, FA15s or FBB30s Weighing Platform.

- All stainless steel Order No. 505240



Analog cable for ID1 Plus

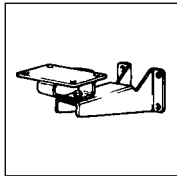
both ends open
length 5m Order No. 204554
length 10m Order No. 204555
length 20m Order No. 209315



Strip printers

Thermal printers with desk-top housing made of chrome-nickel steel.

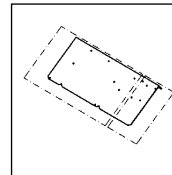
- GA46 Order No. 505471
- GA46-W Order No. 505799



Wall bracket

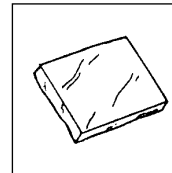
For mounting the ID1 Plus Terminal on the wall. Complete with fixing screws.

- Plastic-coated, black Order No. 504129
- Chrome-nickel steel Order No. 504130



Printer-terminal adapter

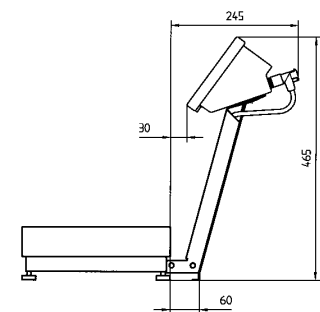
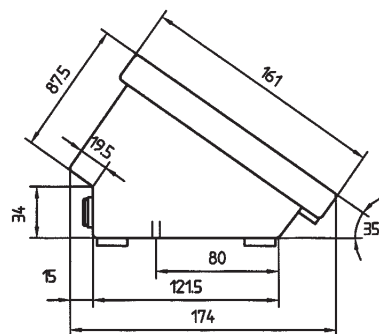
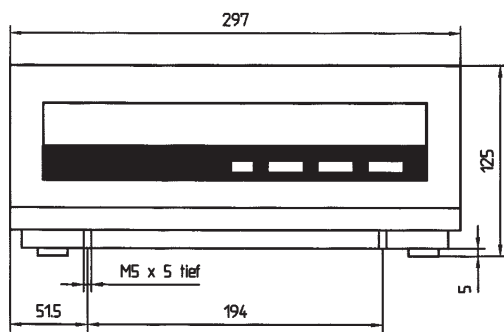
for fastening the GA46 to the terminal.
Order No. 208264



instrument cover

Transparent PVC

Set of 3 Order No. 505319



Sales and service: