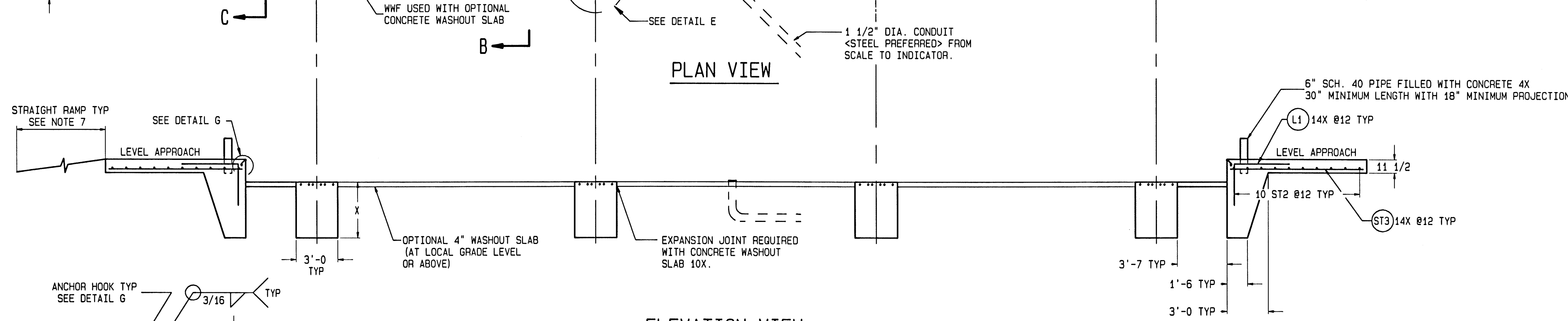
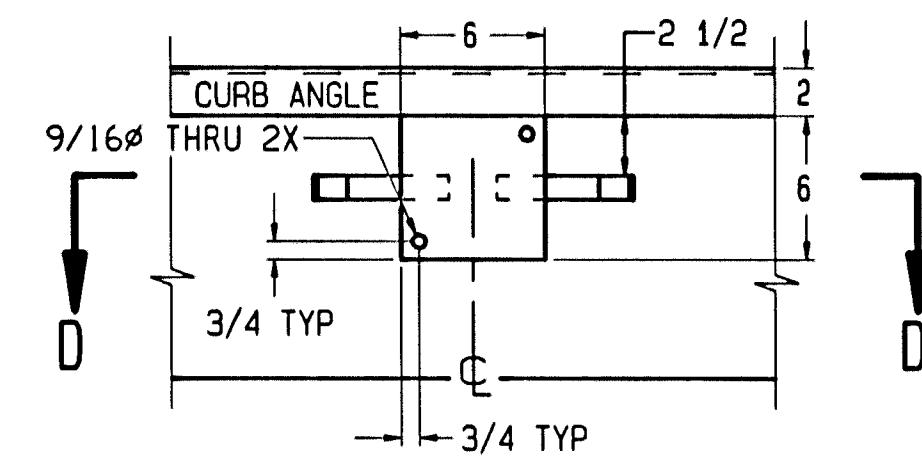
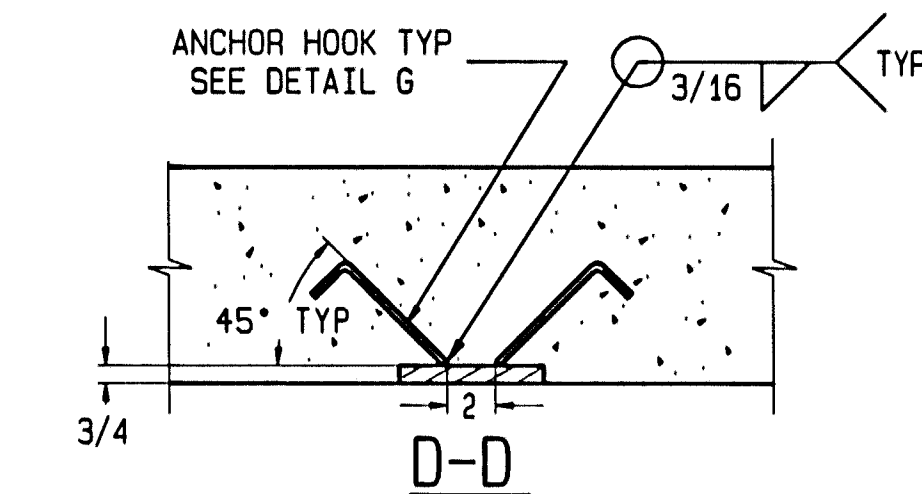


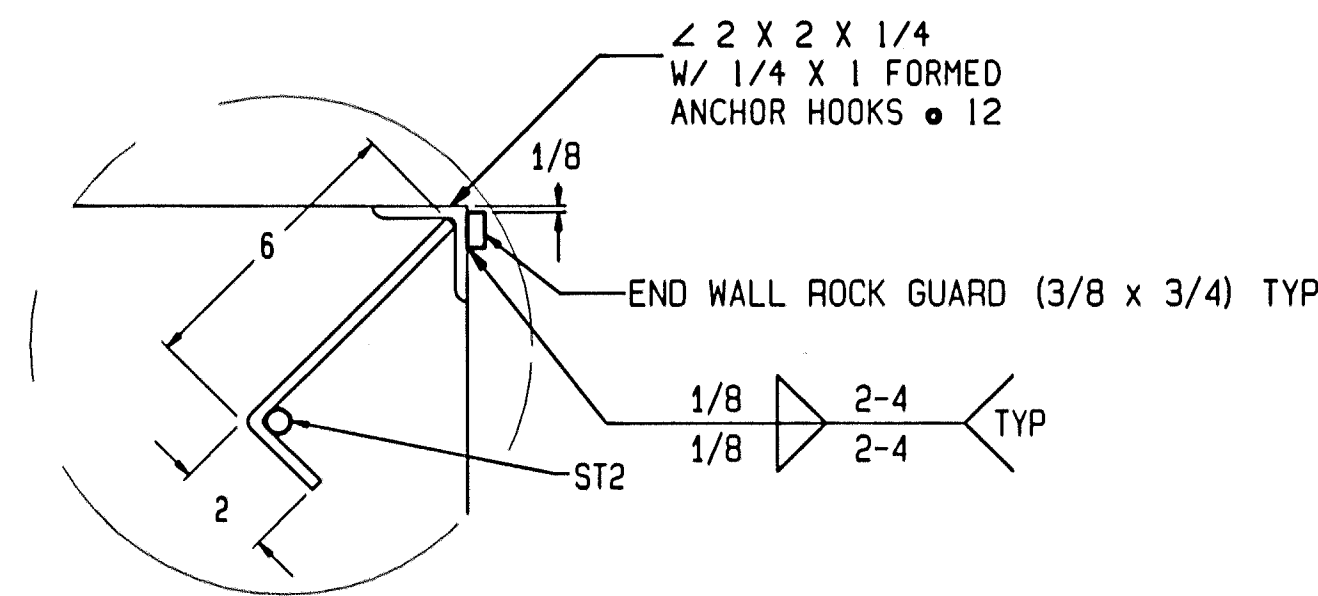
PLAN VIEW



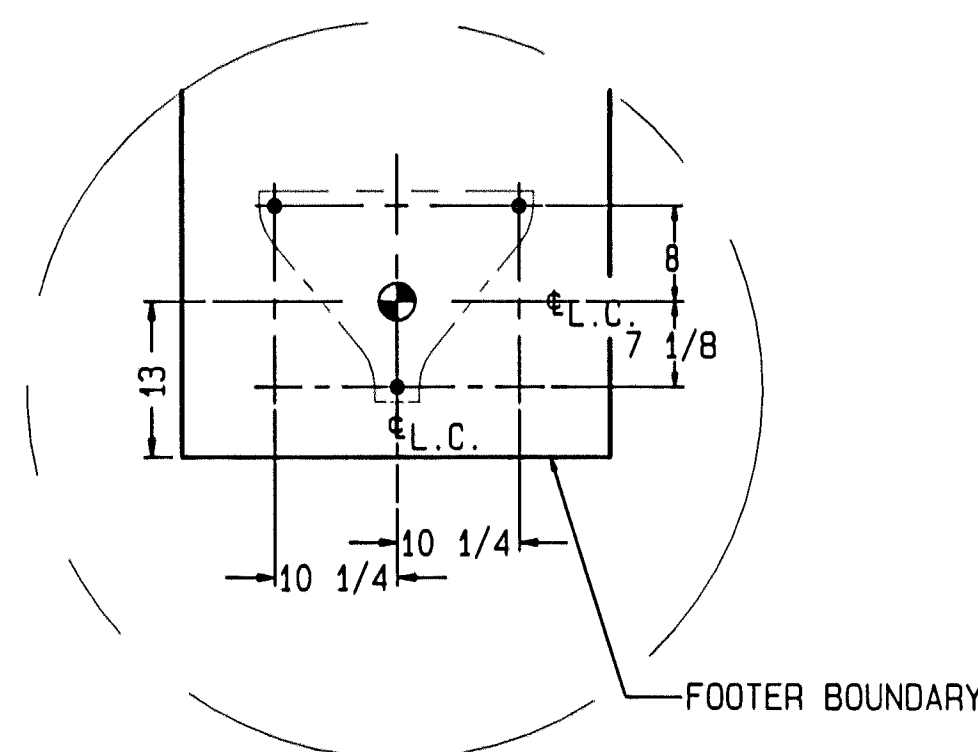
ELEVATION VIEW



C-C
(SCALE: 1:8)
BUMPER PLATE ASSY'S: TWO EACH END,
MATERIAL: H.R. STEEL
SEE NOTE 10

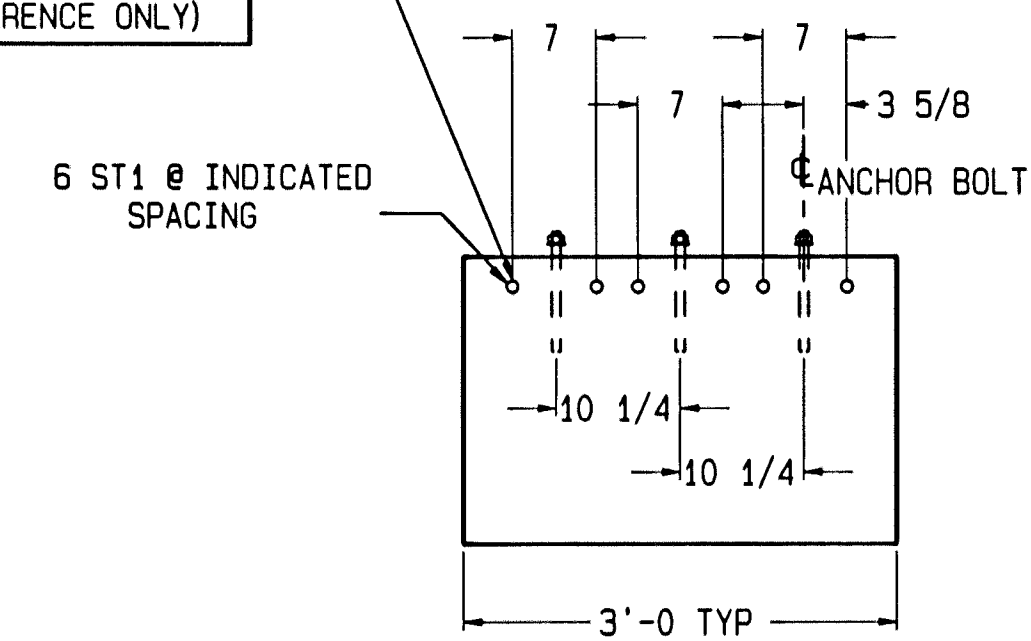


DETAIL G
(SCALE: 1:4)
SEE NOTE 10

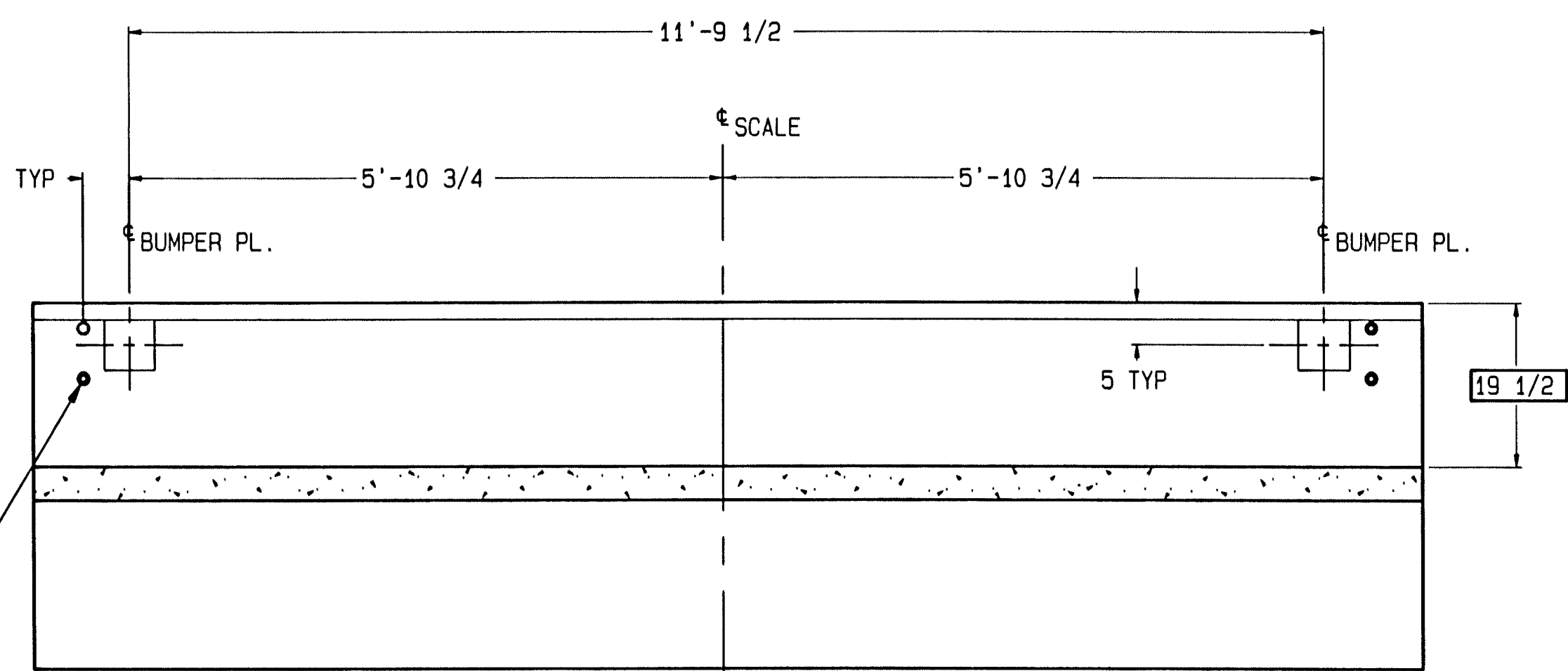


DETAIL E
(SCALE: 1:16)
ANCHOR BOLT PLACEMENT
(OTHER SIDE IS OPPOSITE)
SEE NOTE 6

SPACE REBAR TO AVOID EXPANSION BOLTS: TYPICAL ALL BASEPLATE AND LATERAL BUMPER LOCATIONS. (BOLTS SHOWN FOR REFERENCE ONLY)



A-A
(SCALE: 1:16)
FOOTER ANCHOR BOLT PLACEMENT



B-B
(SCALE: 1:16)
BUMPER PLATE PLACEMENT

SYM	QTY	SIZE	LOCATION, DIRECTION	LENGTH	WGT
ST1	24	#6	FOOTERS, LATERAL	13'-2	475
ST2	22	#5	APPROACHES, LATERAL	13'-2	303
ST3	28	#5	APPROACHES, LONG.	9'-6	278
L1	28	#5	APPROACH TO FOOTER	2'-0x2'-0	117
TOTAL					1173

MATERIAL SUMMARY *	FOOTER DEPTH: "X" INCHES (24 INCH MINIMUM)				
	24	36	48	60	72
FOOTERS AND APPROACHES ONLY					
CONCRETE (CU. YD.)	28	37	45	52	62
REINFORCING STEEL (LB)	1173				

FOR OPTIONAL 4" CONCRETE WASHOUT SLAB ADD:
WWF 6x6_M1.4xW1.4 - 825 SQ. FT.
CONCRETE - 10 CU. YD.
1/2" EXPANSION JOINT - 140 FT.

* REFER TO SCALE GENERAL LAYOUT DRAWING FOR DECK CONCRETE AND REINFORCING STEEL SPECIFICATIONS.

NOTES:

- 1) USE MINIMUM 3000 PSI STRENGTH CONCRETE AT 28 DAYS WITH 5-7% AIR ENTRAINMENT.
- 2) USE MINIMUM 60KSI YIELD DEFORMED REINFORCING STEEL.
- 3) FOUNDATION REQUIRES 2500 PSF RATED SOIL.
- 4) TOP OF CONCRETE AT BASEPLATE LOCATIONS TO BE LEVEL AND IN ONE PLANE ±1/8".
- 5) DIAGONAL MEASUREMENTS, ENDWALL TO ENDWALL, MUST BE EQUAL WITHIN 1/2".
- 6) BASEPLATE AND LATERAL BUMPER ANCHORS SUPPLIED BY METTLER TOLEDO. USE BASEPLATES AND LATERAL BUMPERS AS TEMPLATES TO LOCATE EXPANSION BOLTS DURING SCALE INSTALLATION.
- 7) RAMP LENGTH: -PER LOCAL REGULATIONS
-1/2" SLOPE PER FOOT TYPICAL
- 8) OPTIONAL: 6" OF GRAVEL MAY BE USED UNDER APPROACHES TO IMPROVE DRAINAGE.
- 9) MINIMUM DEPTH OF COVER FROM THE SURFACE FOR REBAR IS 2". HOWEVER IN PLACES WHERE THE SURFACE IS IN CONTACT WITH THE GROUND, THE REBAR COVER SHOULD BE 3".
- 10) CONTRACTOR SUPPLIES:
 - EXCAVATION
 - CONCRETE AND FORMS
 - REINFORCING STEEL
 - 1 1/2" DIA CONDUIT
 - CURB ANGLE ASSEMBLIES (DETAIL G)
 - BUMPER PLATE ASSEMBLIES (VIEWS C-C & D-D)
 - END WALL ROCK GUARD (DETAIL G)
 - 6" SCH. 40 PIPE.

REV	CHANGE	BY	DATE	SCALE	1/50
A	UPDATED REBAR QUANTITIES	JEB	10/7/98	DATE	9/29/98
				DRN	JEB APPD
TITLE 7531KD FOUNDATION VARIABLE FOOTER 70'x11'					
UNLESS OTHERWISE SPECIFIED, ALL DIMENSIONS ARE IN INCHES, AND DIMENSIONAL TOLERANCES ARE:					
FRACTIONAL DECIMAL ANGULAR					
1/32 .XX .02 °.5					
.XXX .005 °.5					

METTLER TOLEDO

TITLE 7531KD FOUNDATION VARIABLE FOOTER 70'x11'

UNLESS OTHERWISE SPECIFIED, ALL DIMENSIONS ARE IN INCHES, AND DIMENSIONAL TOLERANCES ARE:

FRACTIONAL DECIMAL ANGULAR
1/32 .XX .02 °.5
.XXX .005 °.5

TC203648

REV A