

Today and Tomorrow: Flexible, Reliable, Durable.



METTLER TOLEDO
shop scales

- M-h
for ticket printing
- M-EB
for ticket or
label printing

mira

METTLER TOLEDO

METTLER TOLEDO - the solution for every application

The Shop-Scale-Class Does it all. Ergonomic. Convenient. Reliable.

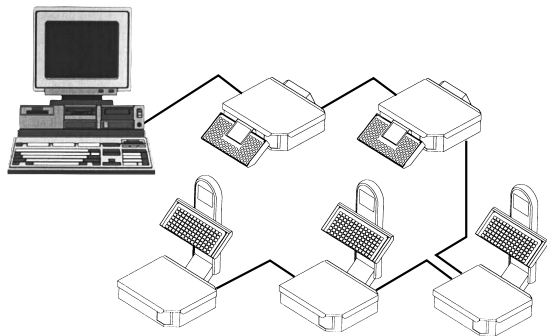
Hinged platter allows access from top to change rolls easier and faster. Large storage area for immediate access to spare rolls.

- Very unique.

How do you cope with the rough and tumble daily workload? A simple question that led to the conception of a new line of retail scales, resulting in a type of scale that is setting new industry standards: Ease of operation and a new design are immediately noticeable. But it is only in actual use that you can feel and see the adaptability to all working conditions and systems. Smart solutions that lighten the work load, especially at peak traffic hours.

Keyboard - easy access. Clearly legible at a glance, for very easy use. Easy to clean. Blank keys for inscriptions.

- Sensible ergonomics.



The scale network

The right kind of network for the best kind of service throughout the system. Central data storage with evaluation by any station in the network or by any computer, allows precise entry of inventory. The memory in each scale (multi-master) provides highest security.

- Perfection no matter how you look at it.



- Hinged platter - Very unique
- Keyboard - Sensible ergonomics
- Scale network - Perfection no matter how you look at it
- Expanded memory for more data

- Double d
- Labels o
- conveni
- Individu
- "Two for
- and pre



Double display - Maximum feedback
 Labels or tickets - Extremely
 convenient
 Individualized label design - Excellent
 "Two for one": Counter service
 and prepacking - It makes sense

Double display

Easy to read screen displays, front and back. Visibility that satisfies vendors and customers.

- Provides maximum information.



Two for the price of one

A combination printer simplifies the switch from labels to tickets and back again. Even during daily operations, prepacked goods can be rapidly labeled.

- It makes sense.



Individualized label design

Creativity knows no bounds. Text and information elements easily positioned.

- Flexible.

Mettler-Toledo
 (Albstadt) GmbH
 Unter dem Malesfelsen 34
 72458 Albstadt
 LP-Flialtext



Labels or tickets

The fast thermal printer is easily accessible and ergonomically located.

- Extremely convenient.

Original size

Advanced technology certified according to ISO 9001.

The new retail scale look - thought through to the finest detail.

Performance

- Info-Vision customer help function
- Commercial vendor text
- Ticket void
- Inventory data entry
- Wide range of tare options
- Wholesale function

Screen display

- 5-line segmented display
- Weight 5 digits
- Tare 5 digits
- Unit price 6 digits
- Total price 6 digits
- Commercial text 16 characters

Sales reports

- Configurable daily sales reports
- 2 turnover levels
- Vendor / scale sales report, department, category, article, price changes, (includ. date and hour) sales report by time period
- Electronic sales journal
- Evaluated sales broken down by amount, weight and item

Sales services

- Service, price pre-labelling, inventory entry, wholesale, fast service for assisted self service
- Label by item, label and total sum ticket, ticket with or without tear-off voucher
- Ticket re-opening
- Network with up to 64 scales
- Up to 16 sales/service groups



Keyboard

98 keys, of which 30 function keys, 68 programmable keys

Security

- Record of check in and check out of vendors
- Price changes and sales report protected by pin code (password configurable)
- Electronic journal

Memory

- PLU memory with 100 characters text, possibility of extension up to 3000 items per scale
- Memory of items, 20 characters by product category, up to 800 in the network, up to 50 per scale in single unit retail
- Choice of up to 16 sales departments
- Commercial text up to 100 characters
- Various texts in motion
- Ingredients up to 300 characters/item
- Price schedule based on quantity
- Journal memory in chronological order
- Up to 99 vendors
- Multiple-department scales

Printer

- Fast graphics thermal printer
- 16 pre-defined and 3 programmable label types
- 20 fonts
- Up to 4 lines each header/footer text
- 75 mm/sec printing speed
- Ticket or label printing
- Rapid paper change
- Clearly printed ticket impression

Interfaces

- Serial interface (RS 232)
- Scale network interfaces
- Cashdrawer interface

Weighing Range

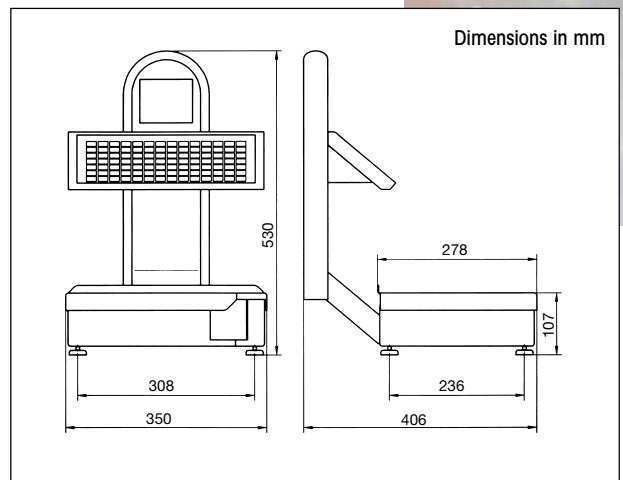
Range:	6 kg	15 kg	3/6 kg	6/15 kg	12 kg	30 kg
Graduation:	2 g	5 g	1 g / 2g	2g / 5g	2 g	5 g
Min. weight*):	40 g	100 g	20 g	40 g	20 g	100 g

Automatic return to zero.

*) Print out of less than the minimum weight is possible, but not with pre-labelling function.



Dimensions in mm



Quality Certificate

Development, production, testing, sale and service of this scale according to the ISO 9001/EN29001 (certificate DQS/SQS)



CE "Conformité Européenne"

This symbol on our scales and balances provides you with the assurance that these products comply with the EU standards and therefore meet the most exacting standards of quality. In practice it means that you possess a certified scale which you can put to immediate use in EU countries for legal applications.

Specifications subject to change without notice.
© 05/97 Mettler-Toledo (Albstadt) GmbH

Printed in Germany. ME - 00 209 876_A
Printed on recycled paper and is recyclable.

D Mettler-Toledo (Albstadt) GmbH
Unter dem Malesfelsen 34
D-72458 Albstadt
Tel. +49 (0) 7431/14-0
Fax +49 (0) 7431/14-300

i Internet: <http://www.mt.com>