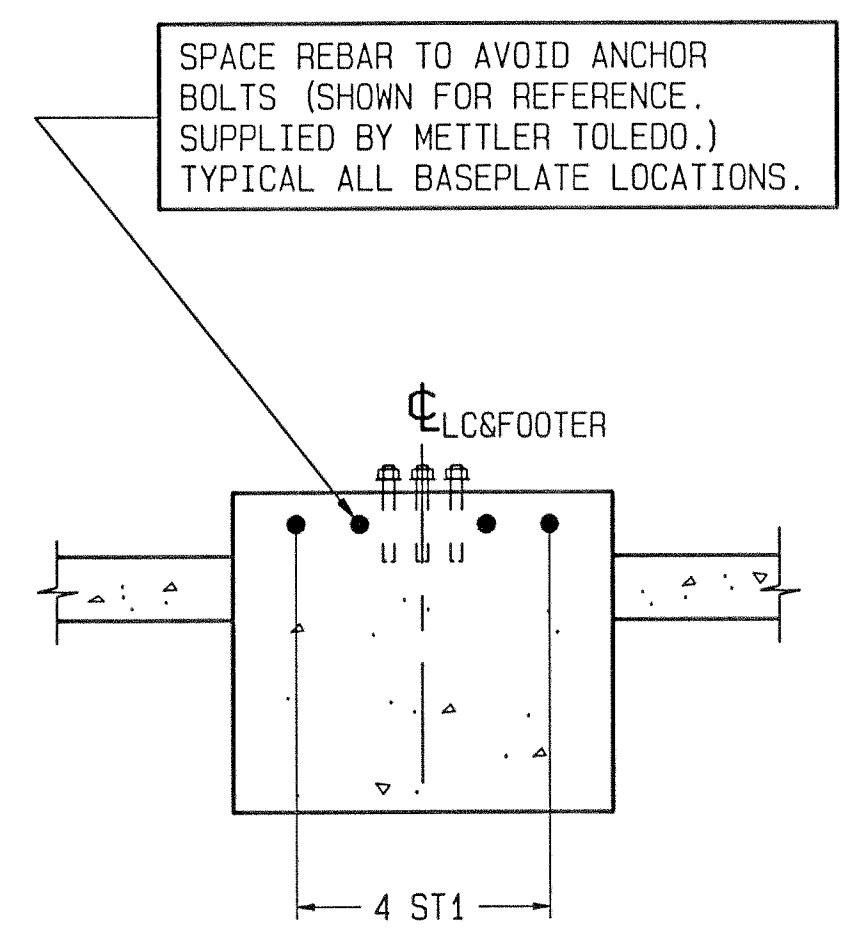
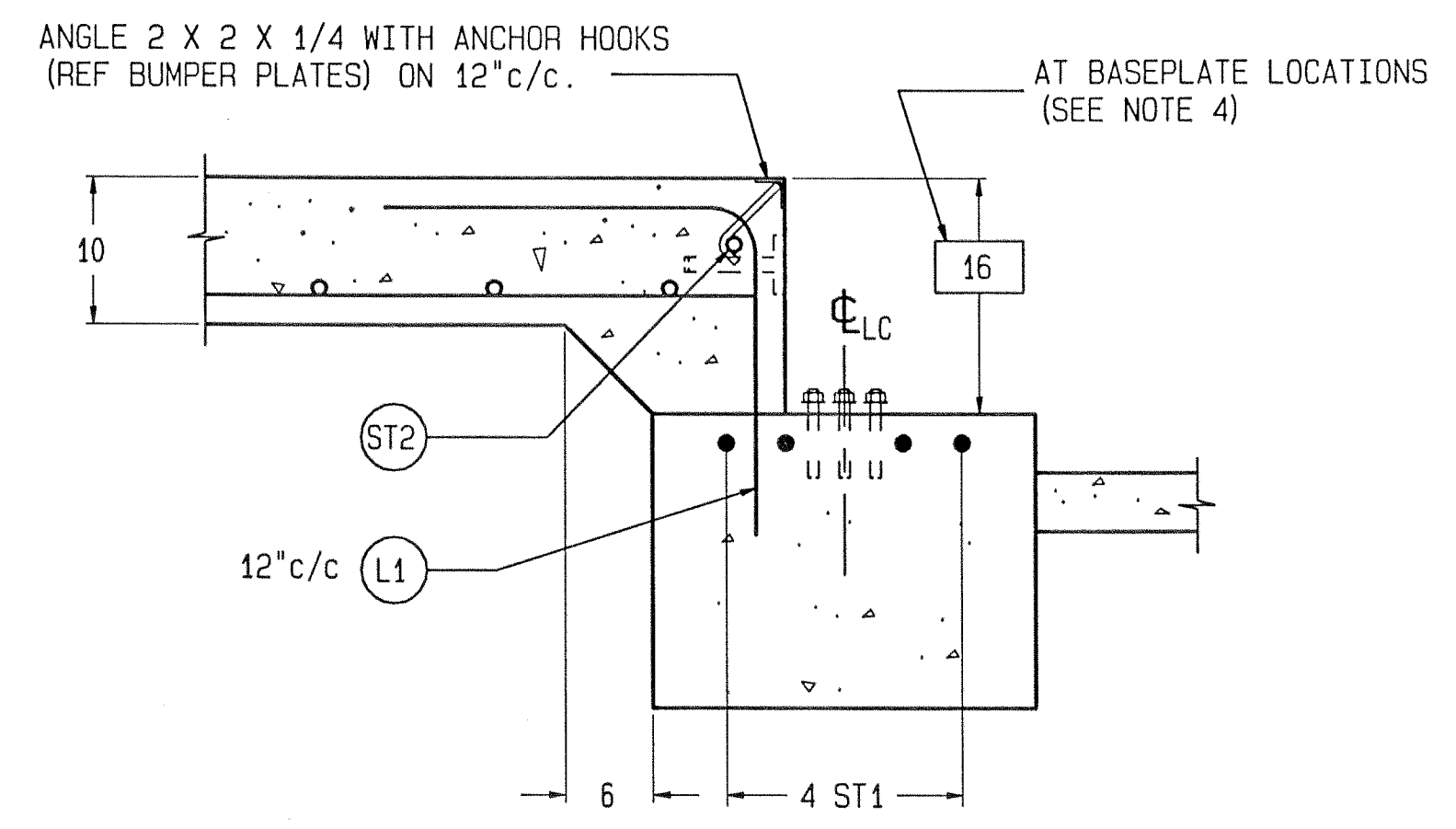


- NOTES:**
- 1) USE MINIMUM 3000 PSI STRENGTH CONCRETE AT 28 DAYS WITH 5-7% AIR ENTRAINMENT.
 - 2) USE MINIMUM 60KSI YIELD DEFORMED REINFORCING STEEL. REBAR MINIMUM DEPTH OF COVER SHOULD BE IN ACCORDANCE WITH THE LATEST ACI BUILDING CODE REQUIREMENTS FOR STRUCTURAL CONCRETE (ACI 318-SECTION 7.7), UNLESS OTHERWISE SPECIFIED.
 - 3) FOUNDATION REQUIRES 2500 PSF RATED SOIL.
 - 4) TOP OF CONCRETE AT BASEPLATE LOCATIONS TO BE LEVEL AND IN ONE PLANE ±1/8"
 - 5) DIAGONAL MEASUREMENTS ENDWALL TO ENDWALL MUST BE EQUAL WITHIN 1/2". THIS IS VERY IMPORTANT! SCALE INSTALLATION WILL BE DIFFICULT IF NOT POSSIBLE IF SQUARENESS IS NOT HELD TO THIS TOLERANCE.
 - 6) BASEPLATE ANCHORS SUPPLIED BY METTLER TOLEDO. USE BASEPLATES AS TEMPLATES TO LOCATE ANCHORS DURING SCALE INSTALLATION.
 - 7) RAMP LENGTH: -PER LOCAL REGULATIONS
-1/2" SLOPE PER FOOT TYPICAL
 - 8) BOTTOM OF FOOTER MUST BE BELOW LOCAL FROSTLINE.
 - 9) FOOTER HEIGHT "Y" CAN BE VARIED TO SUIT LOCAL CLEARANCE REQUIREMENTS. TOP OF FOOTER AT GRADE LEVEL, I.E. FLUSH WITH WASHOUT SLABS, PROVIDES STANDARD 4-1/2" CLEARANCE BETWEEN BOTTOM OF WEIGHBRIDGE AND WASHOUT SLABS.
 - 10) OPTIONAL: 6" OF GRAVEL MAY BE USED UNDER APPROACHES TO IMPROVE DRAINAGE. REFER TO LOCAL BUILDING CODES FOR BASE REQUIREMENTS.
 - 11) CONTRACTOR SUPPLIES:
 - EXCAVATION
 - REINFORCING STEEL
 - CURB ANGLE ASSEMBLIES (SECT C-C)
 - BUMPER PLATE ASSEMBLIES (VIEWS J-J & N-N)
 - CONCRETE AND FORMS
 - 1 1/2" DIA CONDUIT (STEEL PREFERRED TO PROTECT ANALOG SIGNAL QUALITY)



REINFORCING STEEL SCHEDULE (A.S.T.M. A-615 GRADE 60)						
SYM	QTY	SIZE	LOCATION, DIRECTION	A		WGT
				A	B	
ST1	24	#8	FOOTERS, LATERAL	11'-6"		737
ST2	2	#5	ENDS, LATERAL	11'-6"		24
			APPROACHES, LATERAL			240
ST3	24	#5	APPROACHES, LONG.	9'-6"		238
L1	22	#5	APPROACH TO END TIES	2'-2"	2'-6"	107

MATERIAL SUMMARY *	FOOTER DEPTH: "X" INCHES (20 INCH MINIMUM)				
	20	32	44	56	68
CONCRETE (CU. YDS.)	17	23	29	35	41
REINFORCING STEEL (LBS)	1346				

* IF OPTIONAL WASHOUT SLABS ARE USED, ADD 1065 SQ. FT. OF WWF: 6x6_W1.4xW1.4 13.5 CU. YD. OF CONCRETE.

REV	CHANGE	BY	DATE	SCALE	DATE	APPD	DATE
A	ST1 QUANTITY WAS 20	MT	10/20/03	02	11/13/01		

TITLE 7461, FOUNDATION, VARIABLE FOOTER, 100' X 11'

UNLESS OTHERWISE SPECIFIED, ALL DIMENSIONS ARE IN INCHES, AND DIMENSIONAL TOLERANCES ARE:

FRACTIONAL	DECIMAL	ANGULAR
1/32	.XX ±.02	±.5°
	.XXX ±.005	

THIS PRINT IS FURNISHED WITH THE UNDERSTANDING THAT THE ESSENCE THEREOF WILL NOT BE REPRODUCED IN WHOLE OR IN PART WITHOUT WRITTEN AUTHORIZATION OF METTLER TOLEDO, INC. ALL DESIGNS ARE THE PROPERTY OF METTLER TOLEDO, INC. AND WILL BE PROTECTED BY PATENTS.

METTLER TOLEDO

TC204943

REV A