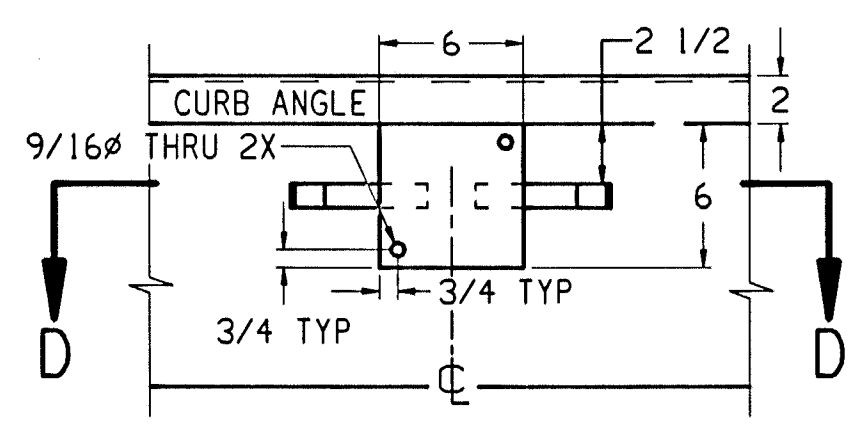
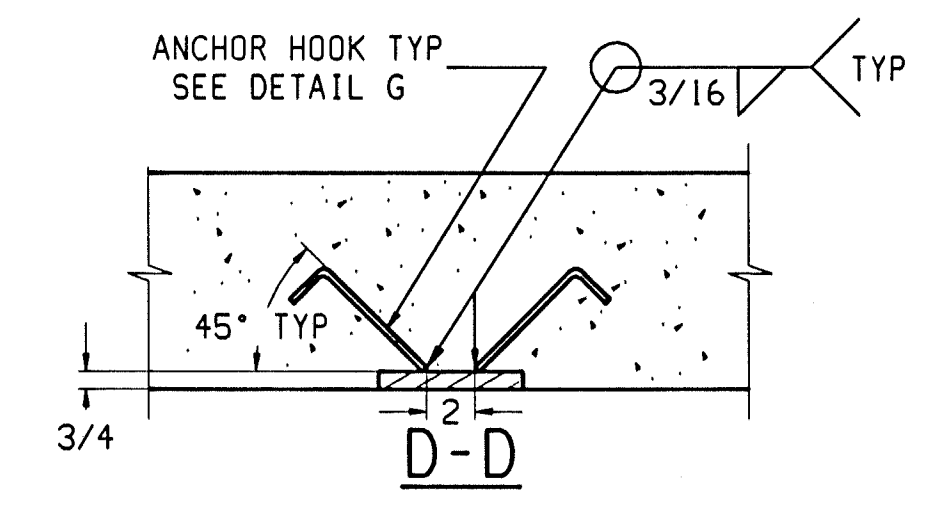
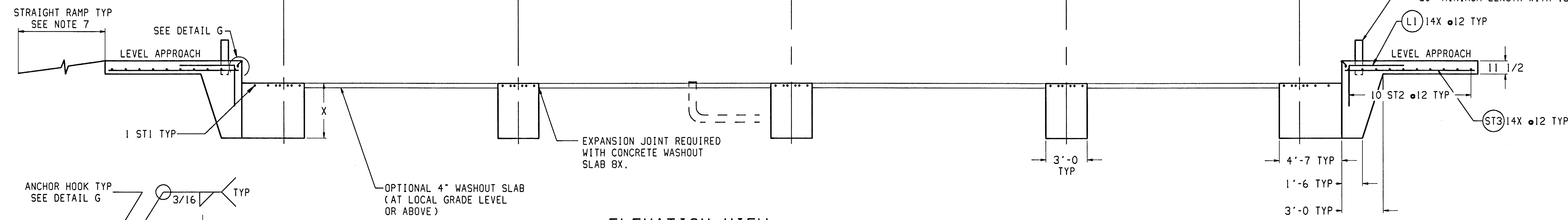
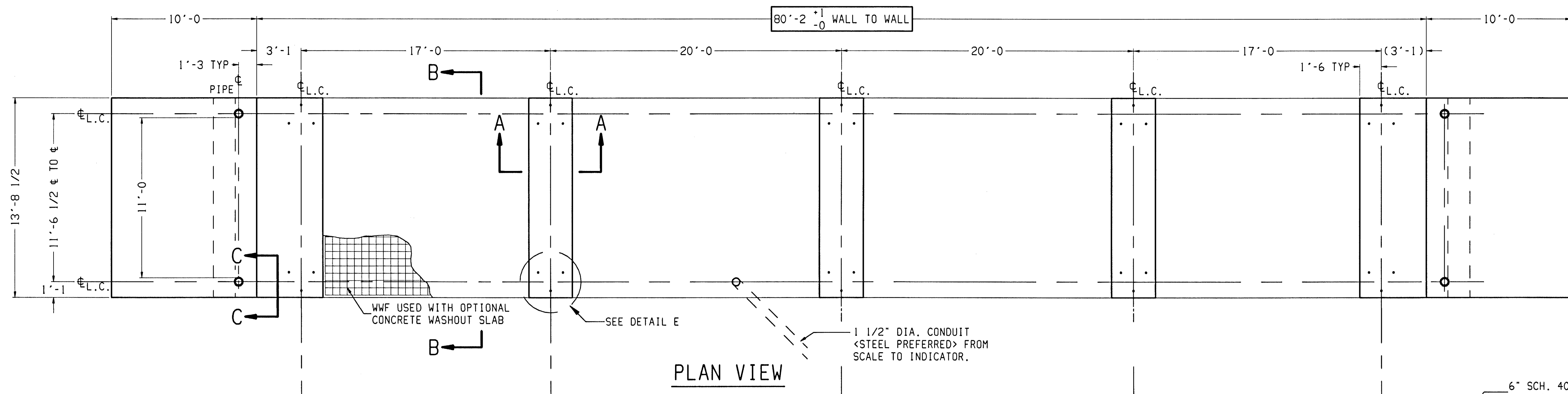


SYM	QTY	SIZE	LOCATION, DIRECTION	LENGTH	WGT
ST1	32	#6	FOOTERS, LATERAL	13'-2"	633
ST2	22	#5	APPROACHES, LATERAL	13'-2"	303
ST3	28	#5	APPROACHES, LONG.	9'-6"	278
L1	28	#5	APPROACH TO FOOTER	2'-0"x2'-0"	117
TOTAL					1331

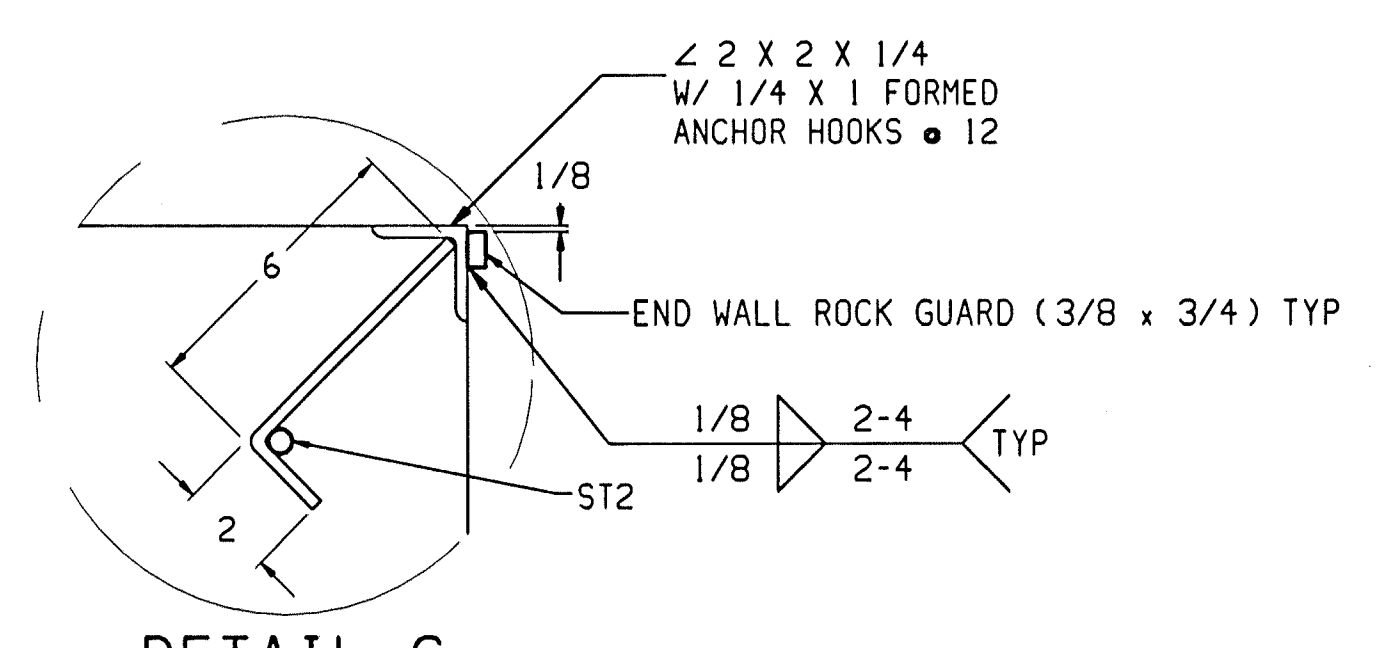
FOOTERS AND APPROACHES ONLY	FOOTER DEPTH: "X" INCHES (24 INCH MINIMUM)				
	24	36	48	60	72
CONCRETE (CU. YD.)	35	46	58	69	81
REINFORCING STEEL (LB)	1331				

FOR OPTIONAL 4" CONCRETE WASHOUT SLAB ADD:
 WWF 6x6-W1.4xW1.4 - 850 SQ. FT.
 CONCRETE - 11 CU. YD.
 1/2" EXPANSION JOINT - 120 FT.

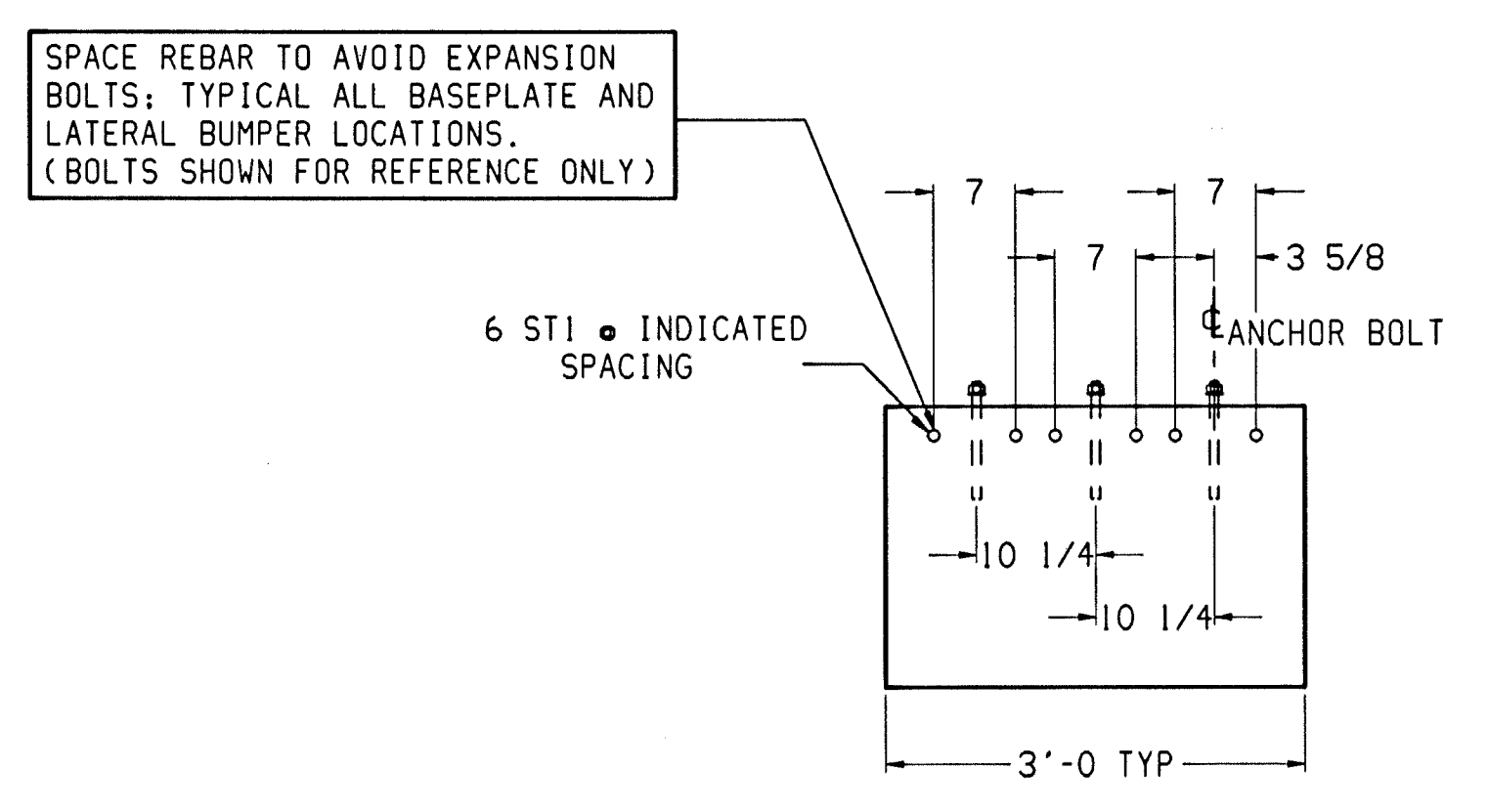
* REFER TO SCALE GENERAL LAYOUT DRAWING FOR DECK CONCRETE AND REINFORCING STEEL SPECIFICATIONS.



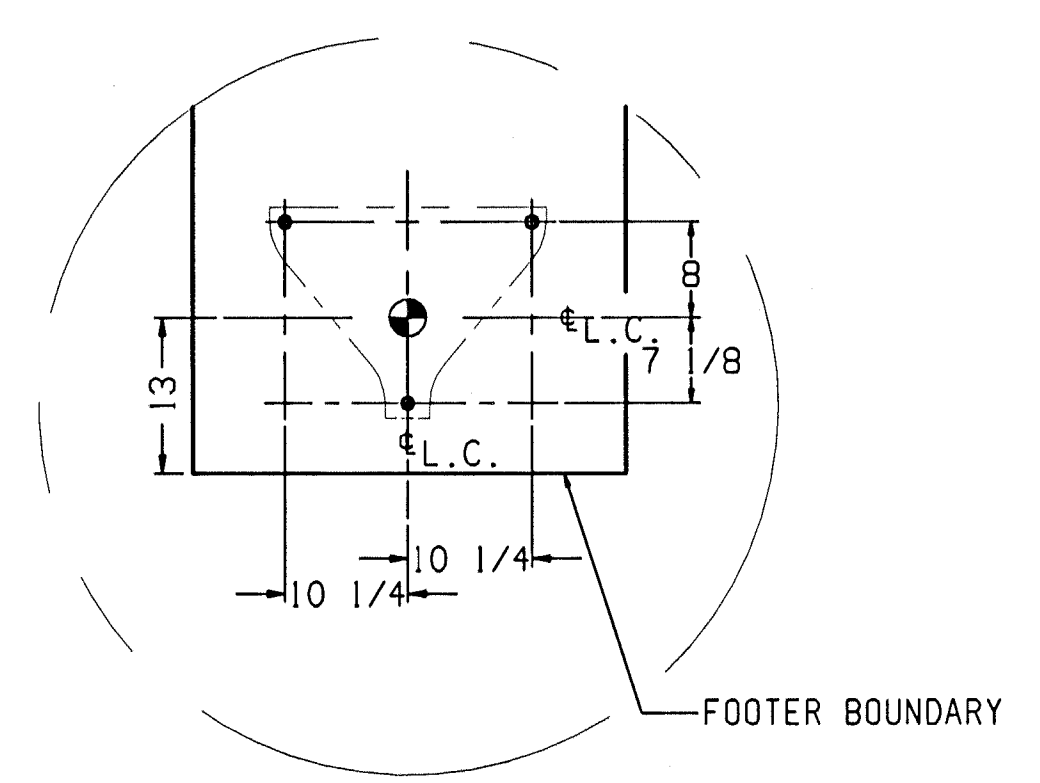
C-C
 (SCALE: 1:8)
 BUMPER PLATE ASSY'S: TWO EACH END.
 MATERIAL: H.R. STEEL
 SEE NOTE 10



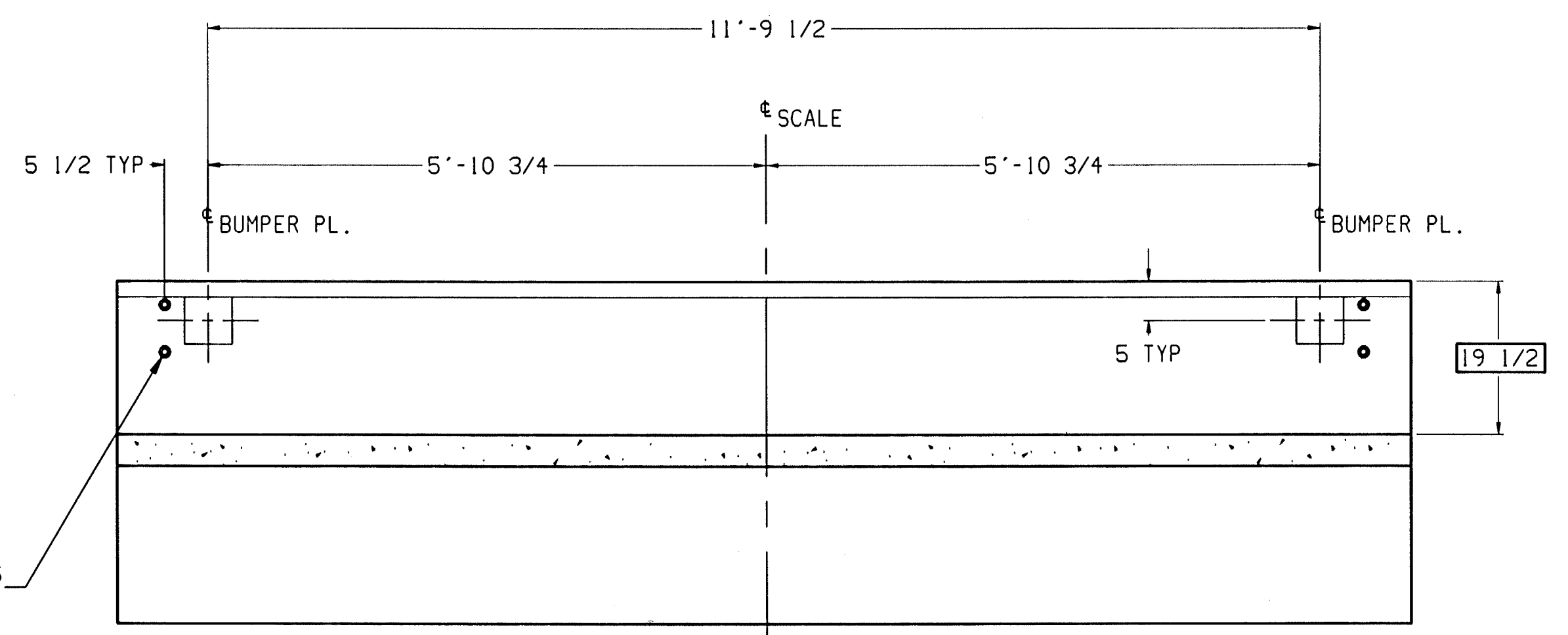
DETAIL G
 (SCALE: 1:4)
 SEE NOTE 10



A-A
 (SCALE: 1:16)
 FOOTER ANCHOR BOLT PLACEMENT



DETAIL E
 (SCALE: 1:16)
 ANCHOR BOLT PLACEMENT
 (OTHER SIDE IS OPPOSITE)
 SEE NOTE 6



B-B
 (SCALE: 1:16)
 BUMPER PLATE PLACEMENT

LATERAL BUMPER EXPANSION BOLTS SHOWN FOR REFERENCE ONLY.

NOTES:

- 1) USE MINIMUM 3000 PSI STRENGTH CONCRETE AT 28 DAYS WITH 5-7% AIR ENTRAINMENT.
- 2) USE MINIMUM 60KSI YIELD DEFORMED REINFORCING STEEL.
- 3) FOUNDATION REQUIRES 2500 PSF RATED SOIL.
- 4) TOP OF CONCRETE AT BASEPLATE LOCATIONS TO BE LEVEL AND IN ONE PLANE ±1/8".
- 5) DIAGONAL MEASUREMENTS, ENDWALL TO ENDWALL, MUST BE EQUAL WITHIN 1/2".
- 6) BASEPLATE AND LATERAL BUMPER ANCHORS SUPPLIED BY METTLER TOLEDO. USE BASEPLATES AND LATERAL BUMPERS AS TEMPLATES TO LOCATE EXPANSION BOLTS DURING SCALE INSTALLATION.
- 7) RAMP LENGTH: -PER LOCAL REGULATIONS
-1/2" SLOPE PER FOOT TYPICAL
- 8) OPTIONAL: 6" OF GRAVEL MAY BE USED UNDER APPROACHES TO IMPROVE DRAINAGE.
- 9) MINIMUM DEPTH OF COVER FROM THE SURFACE FOR REBAR IS 2". HOWEVER IN PLACES WHERE THE SURFACE IS IN CONTACT WITH THE GROUND, THE REBAR COVER SHOULD BE 3".
- 10) CONTRACTOR SUPPLIES:
 - EXCAVATION
 - CONCRETE AND FORMS
 - REINFORCING STEEL
 - 1 1/2" DIA CONDUIT
 - CURB ANGLE ASSEMBLIES (DETAIL G)
 - BUMPER PLATE ASSEMBLIES (VIEWS C-C & D-D)
 - END WALL ROCK GUARD (DETAIL G)
 - 6" SCH. 40 PIPE.

REV	CHANGE	BY	DATE	SCALE 1/50	DATE 10/7/98	DRN JEB APPD	METTLER TOLEDO		
TITLE 7531KD FOUNDATION VARIABLE FOOTER 80'x11'							THIS PRINT IS FURNISHED WITH THE UNDERSTANDING THAT THE ESSENCE THEREOF WILL NOT BE REPRODUCED IN WHOLE OR IN PART WITHOUT WRITTEN AUTHORIZATION OF METTLER-TOLEDO, INC. ALL DESIGNS ARE THE PROPERTY OF METTLER-TOLEDO, INC. AND WILL BE PROTECTED BY PATENTS.		
UNLESS OTHERWISE SPECIFIED, ALL DIMENSIONS ARE IN INCHES, AND DIMENSIONAL TOLERANCES ARE:							FRACTIONAL .XX ±.02	DECIMAL .XXX ±.005	ANGULAR ±.5°
							TC203649	REV	