

Highest Productivity with Automated Weighing



Easy sample placement

Place your sample on the easily accessible automated loading rack and it slides into the weighing chamber. The loading rack gently places the sample on the weighing pan while the stainless steel cover closes simultaneously.



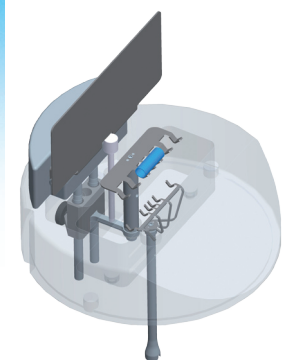
Utmost performance

Due to the small air volume in the weighing chamber, the stabilization time is exceedingly fast. A solid stainless steel cover over the weighing unit constricts heat transfer to ensure highest weighing accuracy.



Static-free environment

The optional integrated ionizer discharges your sample before entering the weighing chamber – for highest accuracy of your results.



Speed through automation

Whether zeroing, weighing or moving to a defined transfer position: MX5 and UMX2 Automated-S take care of the weighing process for you and accelerate it.



MX5 Automated-S/UMX2 Automated-S Automated Micro Balances for unique sample shapes

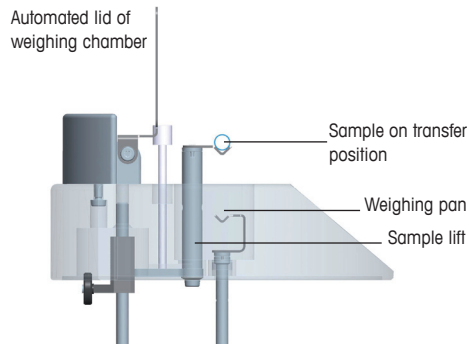
Increase your productivity in the weighing of short and narrow tubular samples with METTLER TOLEDO MX5 and UMX2 Automated-S. The high-speed solutions MX5 and UMX2 Automated-S accelerate your weighing process and increase process reliability: Its automation increases productivity and enables the seamless and easy integration into robotic systems. The small weighing chamber and the isolating stainless steel cover enable fast and stable weighing results while the freely accessible loading pan allows convenient handling of all short and longish-shaped samples. MX5 and UMX2 Automated-S offers true value to your process through:

- Accelerated weighing processes
- Easier and faster handling of samples
- Increased productivity

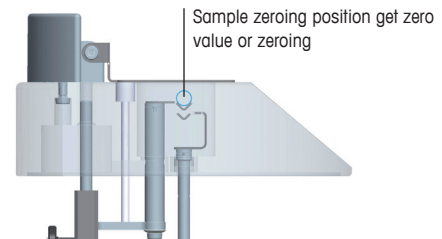
METTLER TOLEDO offers unique micro balances for specialized weighing purposes.

Automated Weighing Process For Fast Results

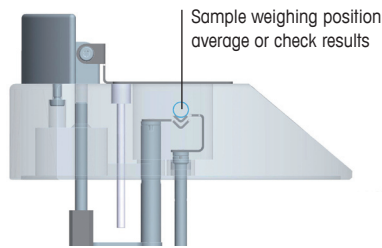
Step 1: loading of sample on the sample lift.



Step 2: moving the sample into the weighing chamber and zeroing



Step 3: transfer on pan and weighing of sample



Standard equipment

- Stainless steel cover: avoids temperature shifts
- ProFACT: fully automatic time- and temperature-controlled internal adjustment and linearization
- Connectivity: RS232C built-in, second interface as an option
- RS-P42 printer as an option
- Touchscreen display: makes manual operation easy and fast
- SmartSens: for hands-free operation
- Use alphanumeric identifications
- Password protection

| Nominal and guaranteed values | UMX2 Automated-S | MX5 Automated-S |
|----------------------------------------------------|------------------------------------------------------------|------------------------------------------------------------|
| Maximum capacity | 2.1g | 5.1g |
| Readability | 0.0001mg | 0.001mg |
| Repeatability - at nominal load | 0.00025mg | 0.0009mg |
| - at low load (measured at) | 0.00025mg (0.2g) | 0.0008mg (0.2g) |
| Linearity | 0.001mg | 0.004mg |
| Eccentric load deviation (test load) ¹⁾ | 0.0025mg (1g) | 0.005mg (2g) |
| Sensitivity offset | 1.5 x 10 ⁻⁵ | 7 x 10 ⁻⁶ |
| Sensitivity temperature drift ²⁾ | 0.0001%/°C | 0.0001%/°C |
| Sensitivity stability ³⁾ | 0.0001%/a | 0.0001%/a |
| Interface | RS-232C and Localcan, Minimettler or Second RS optional | RS-232C and Localcan, Minimettler or Second RS optional |
| Settling time | < 10s | < 10s |

¹⁾ According to OIML R76 ²⁾ In the temperature range 10...30°C ³⁾ Stability of sensitivity as from first installation with FACT



Quality certificate ISO9001
Environment certificate ISO14001
Internet: <http://www.mt.com>
Worldwide service

Subject to technical changes
©09/2007 Mettler-Toledo AG
Printed in Switzerland 11795927

www.mt.com

More information