



PANTHER® PLUS

Scale Terminal

**The Affordable Solution for Quick,
Accurate Weighing**

METTLER TOLEDO

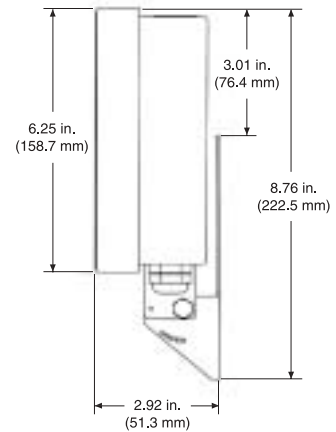
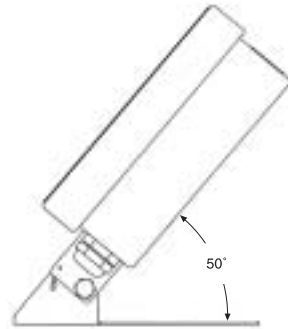
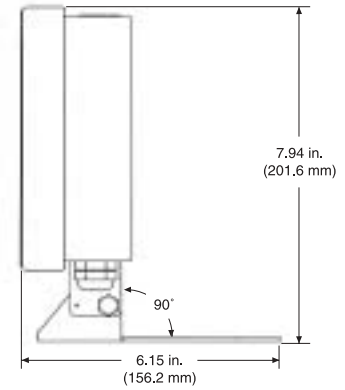


Get More for Less with the PANTHER PLUS Scale Terminal

From its time and date feature to its ability to accommodate up to 10 targets, the PANTHER PLUS scale terminal gives you the power and performance required to satisfy all your weighing requirements.

PANTHER PLUS Terminal Specifications

Physical Dimensions (WxDxH)	178 mm x 66 mm x 159 mm (7 in x 2.58 in x 6.25 in)
Construction	Stainless steel construction to provide NEMA 4x and IP65 protection
Power	Universal AC power supply works with 100, 120, 220, and 240 AC power sources
Operating Temperature	-10°C to 45°C (14°F to 113°F)
Display	7-digit, 7-segment vacuum fluorescent numeric display; 12.7 mm / 0.55 in high
Keypad	7- function, 11- key numeric
Scale Performance	Internal resolution 1,000,000; External 10,000
Scale Interface	Maximum of eight 350 ohm analog load cells
Scale Update Rate	>300 Hz
Digital Filtering	METTLER TOLEDO's exclusive TraxDSP® filtering
Process Control	2 setpoints with preacts, zero tolerance
Checkweighing	10 targets with 5 zones each
Time/Date	24-hour clock, international format
Discrete Outputs/Inputs	3 outputs/1 input/5 zone status LEDs
Shipping Weight	2.5 kg (5.5 lb)
Options	Analog Output - External I/O Box Weigh Modules, Bench Scales, Floor Scales, Load Cells



Standard Features:

- **Engineered from the Inside Out** – Packaged in a stainless steel enclosure that meets NEMA 4X (IP65) requirements, it is ideal for use in just about any environment, including those requiring heavy washdown.
- **Easy to Integrate** – The self-contained mounting bracket and line cord makes it easy to install. Just mount it on a desk or wall, hook up the load cell cable and built-in RS232 serial interface port, and you are ready to weigh.
- **Easy to Use** – Setup, calibration, and a variety of weighing operations can be performed with only a few simple steps using the 11-button numeric keypad and function keys with universal symbols.
- **Rapid Response Time** – Enhanced digital filtering, combined with the analog to digital weight conversions of more than 300 times a second, ensures that your weight data will be available when you need it.



Produced in a facility that is



*For more information, contact your authorized METTLER TOLEDO representative or one of the regional offices below.

	TEL	FAX		TEL	FAX
METTLER TOLEDO USA 1900 Polaris Parkway Columbus, Ohio 43240 TEL. (800) 523-5123 (614) 438-4511 FAX (614) 438-4900			Australia (61-3) 9644 5700	Malaysia (60-3) 7845 5773	Internet www.mt.com
Latin America TEL. (01) 305-351-2424 FAX (01) 305-351-2425	Austria (43-1) 604 1980	Brazil (55-11) 4166-7400	Canada (800) 638-8537	Mexico (52-5) 547 5700	Specifications subject to change without notice ©2002 Mettler-Toledo, Inc.
Headquarters 8606 Greifensee Switzerland TEL. (41-1) 944 22 11 FAX (41-1) 944 30 60	Belgium (32-2) 334 0211	China (86-519) 6642040	Croatia (385-1) 29 58 130	Netherlands (31-344) 638363	METTLER TOLEDO® and PANTHER® PLUS are registered trademarks of Mettler-Toledo, Inc.
	Czech Republic (420-2) 721-23150	Denmark (45-43) 27 08 00	France (33-1) 30 97 17 17	Norway (47) 22 30 44 90	Printed in USA.
	Germany (49-641) 50 70	Hungary (36-1) 288-4040	India (91-22) 857-0808	Poland (48-22) 651-9232	3M0502 INSTRUMENTS IN01015.2E
	Italy (39-02) 333321	Japan (81-3) 5762-0706	Kazakhstan (7-3272) 50 63 69	Russia (7-095) 921 9211	
	Switzerland (41-1) 944 22 11	USA (800) 523-5123		Singapore (65) 6890 0011	
				Slovak Republic (421-2) 4342-7496	
				Slovenia (386-1) 562-1801	
				Spain (34-93) 223-7600	
				Sweden (46-8) 702 50 00	
				Switzerland (41-1) 944 45 45	
				Taiwan (886-2) 2579-5955	
				Thailand (66-2) 723-0300	
				United Kingdom (44-116) 235 7070	