

So easy – just lift the load, read its weight, and move it!



Speed up your warehouse and shipping processes with the METTLER TOLEDO PTS mobile pallet truck scale.

In just one operation you lift the load, read its weight, and move it to its destination. Ruggedly built to take the knocks of industrial use, the PTS pallet truck scale delivers reliable weighing or counting results wherever it's used.

PTS advantages

- Reliable weighing or counting models available
- Exchangeable battery keeps truck ready for use anytime, anywhere

METTLER **TOLEDO**

PTS mobile pallet truck scale with 360° swiveling display – SW, BC, or FC.



PTS Pallet Truck Scale

- 1500 kg version: dual range
 0–600 kg in 0.2 kg
 600–1500 kg in 0.5 kg
- 2200 kg version: dual range
 0–1000 kg in 0.5 kg
 1000–2200 kg in 1 kg
- Lifting capacity: up to 2200 kg

Power supply

- Powered by easy-to-change, plug-in 12 VDC/1.2 Ah battery module
- Battery gives up to 8 hours service before recharging
- Battery charging status is shown in weighing terminal display
- Includes 230 VAC/12 VDC battery charger

Options

- Certified version
- Exchangeable rechargeable battery
- Built-in printer
- Hand- or foot-operated brake
- Rapid-action lift
- Stainless steel fork shoes
- Fork length 950 mm or 1400 mm
- Width across forks 690 mm
- Nylon or polyurethane wheels

Dimensions

A = fork length	1150 mm
B = fork width	170 mm
E = width across forks	535 mm (+/- 5 mm)
C = under-pallet height	85 mm (+/- 2 mm)
D = maximum height	205 mm
F = top edge of display	950 mm
Tires steering wheels	Rubber
Tires load wheels	Polyurethane

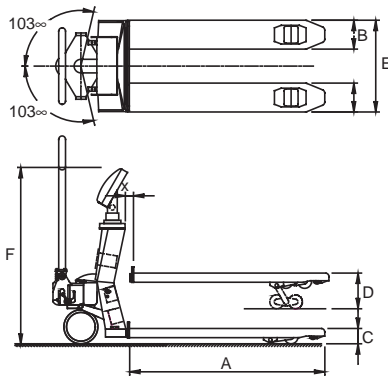
Terminal SW Weighing/taring



Terminal BC Weighing/taring/counting



Terminal FC Weighing/taring/easy counting/ identification/tare preset



Sales/service:



Quality certificate ISO 9001
 Environmental certificate ISO 14001
 Internet: <http://www.mt.com>
 Worldwide service

Subject to technical changes
 © 12/2001 Mettler-Toledo GmbH
 Printed in Switzerland 21 255 430
 MCG MarCom Greifensee