

Supplementary sheet for Installation and Operating Instructions  
Intrinsically safe precision scales

Technical specifications and accessories for **USA**

**METTLER TOLEDO**

**SM3000x**  
**SM6000x**  
**SM15x**  
**SM1520x DeltaRange**  
**SM15000x**



P704178

Subject to technical changes and to the availability  
of the accessories supplied with the instruments.

© Mettler-Toledo GmbH 2002 704178A Printed in Switzerland 0212/32.12

**Mettler-Toledo GmbH, Laboratory & Weighing Technologies**, CH-8606 Greifensee, Switzerland  
Phone +41-1-944 22 11, Fax +41-1-944 30 60, Internet: <http://www.mt.com>

<b>Contents</b>
-----------------

Technical specifications	3
Standards and classification of hazardous areas in USA	4
Control drawing USA	5
Accessories	6
Dimensions	7
Federal communication commision radio frequency interference statement	8

## Technical specifications

		SM3000x	SM6000x	SM15x	SM1520x	SM15000x
Weighing range	lb	6.8	13.4	33.1	33.1	33.1
– Recallable fine range	lb	–	–	–	4.4	–
Readability	lb	0.001	0.001	0.01	0.01	0.001
– Recallable fine range	lb	–	–	–	0.001	–
Taring range (subtractive)	lb	6.8	13.4	33.1	33.1	33.1
Reproducibility (standard deviation)	lb	0.0005	0.0005	0.003	0.003	0.001
– in the fine range	lb	–	–	–	0.002	–
Linearity	lb	0.001	0.001	0.01	0.01	0.002
– in the fine range	lb	–	–	–	0.002	–
Stabilization time (typical)	s	1.5	1.5	1.5	2.0	2.0
Display change	s	0.16	0.16	0.16	0.16	0.16
Sensitivity drift (10...30°C)	/°C	8x10-6	8x10-6	6x10-6	6x10-6	6x10-6
Result deviation (at inclination 1:1000)	lb	0.005	0.005	0.01	0.01	0.005
<b>Dimensions:</b>						
– Load plate (chrome-nickel steel)		12 3/4 x 9 1/8 inches				
– Scale housing (WxDxH)		12 3/4 x 12 1/4 x 3 3/8 inches; with stand: 12 3/4 x 12 x 17 3/8 inches				
– Net weight		17.6 lb				
Basic weight unit		Selectable: g, kg, lb, oz, ozt, tl, dwt, ct, C.M., k				
Switchable 2nd unit or application		Selectable: g, kg, lb, oz, ozt, tl, dwt, ct, C.M., k, piece counting, ± weighing or % weighing, animal weighing				
Digital display		7 segments				
DeltaTrac (graphic display and dispensing aid)		60 radial segments				
<b>Power supply: from AC adapter</b>						
		11 V DC, 0.1 A				
<b>Data interface (mode; baud rate; parity;)</b>						
Data format		CL passive 10 mA; 110 ... 9600 baud; even, odd, mark, space asynchronous 7-bit ASCII				
<b>Admissible ambient conditions (during operation):</b>						
– Temperature	°F	32 ... 104°		– vibration adapter	3 settings selectable, optical display	
– Height above sea level	feet	-1000 ... +20'000		– weighing process adapter	4 settings selectable, optical display	
– Relative humidity (non-condensing)	%	15 ... 85		– stability detector	4 settings selectable, optical display	
– Vibrations	m/ s2	0.3				
– Safety code (against water and dust)	IP	54 following IEC529				

## **Standards and classification of hazardous areas in USA**

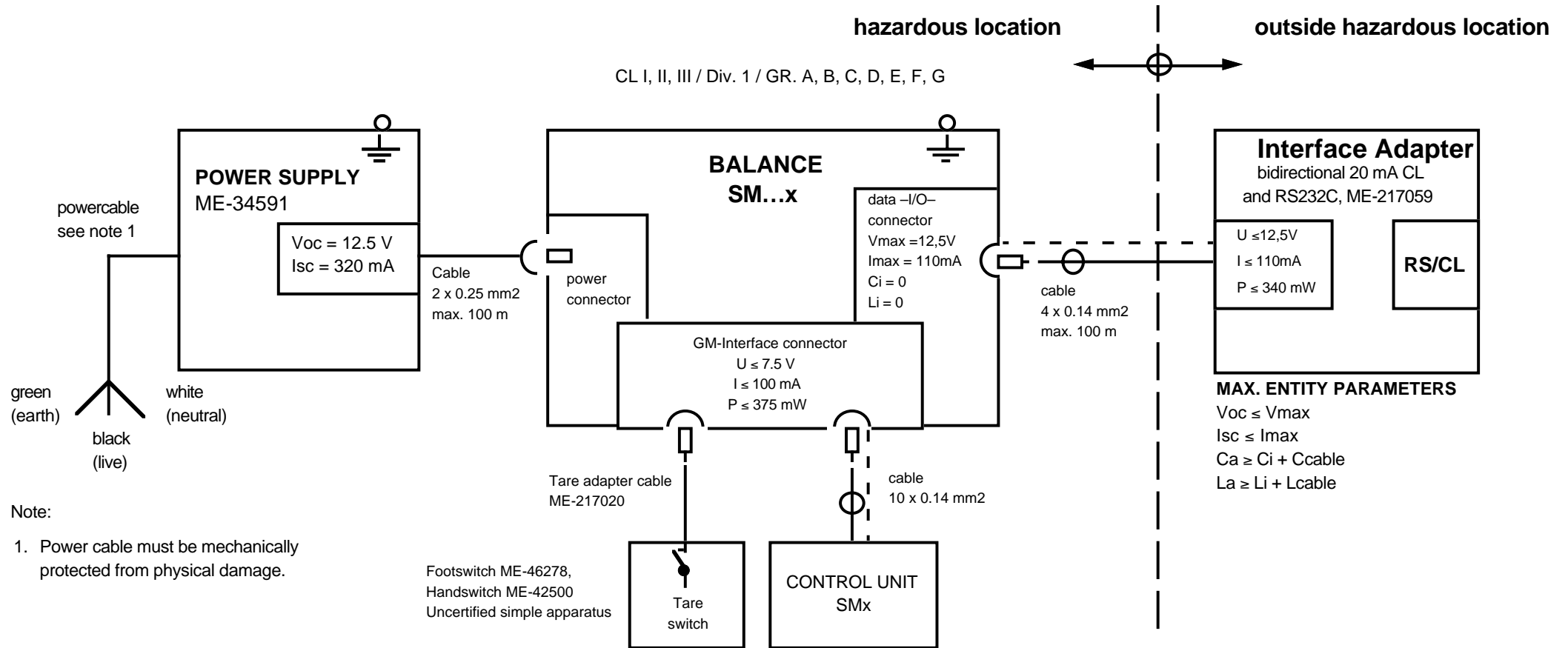
**The following is valid for SMx scales which carry the Factory Mutual label in the USA:**

SMx carries Factory Mutual approval for Class I, II, III/Division 1/Group A, B, C, D, E, F, G hazardous locations as defined by the NEC, Article 500, 1987.

For **guidance on installation**, see ANSI/ISA RP12.6, "Installation of Intrinsically Safe Instrument Systems in Class I Hazardous Locations" and the Control Drawing (ME-217064) on page 5.

**Installation shall be in accordance with the manufacturer's instructions and the National Electric Code. Tampering or replacement with non-factory components may adversely affect system safety.**

# Control drawing USA



Note:

1. Power cable must be mechanically protected from physical damage.

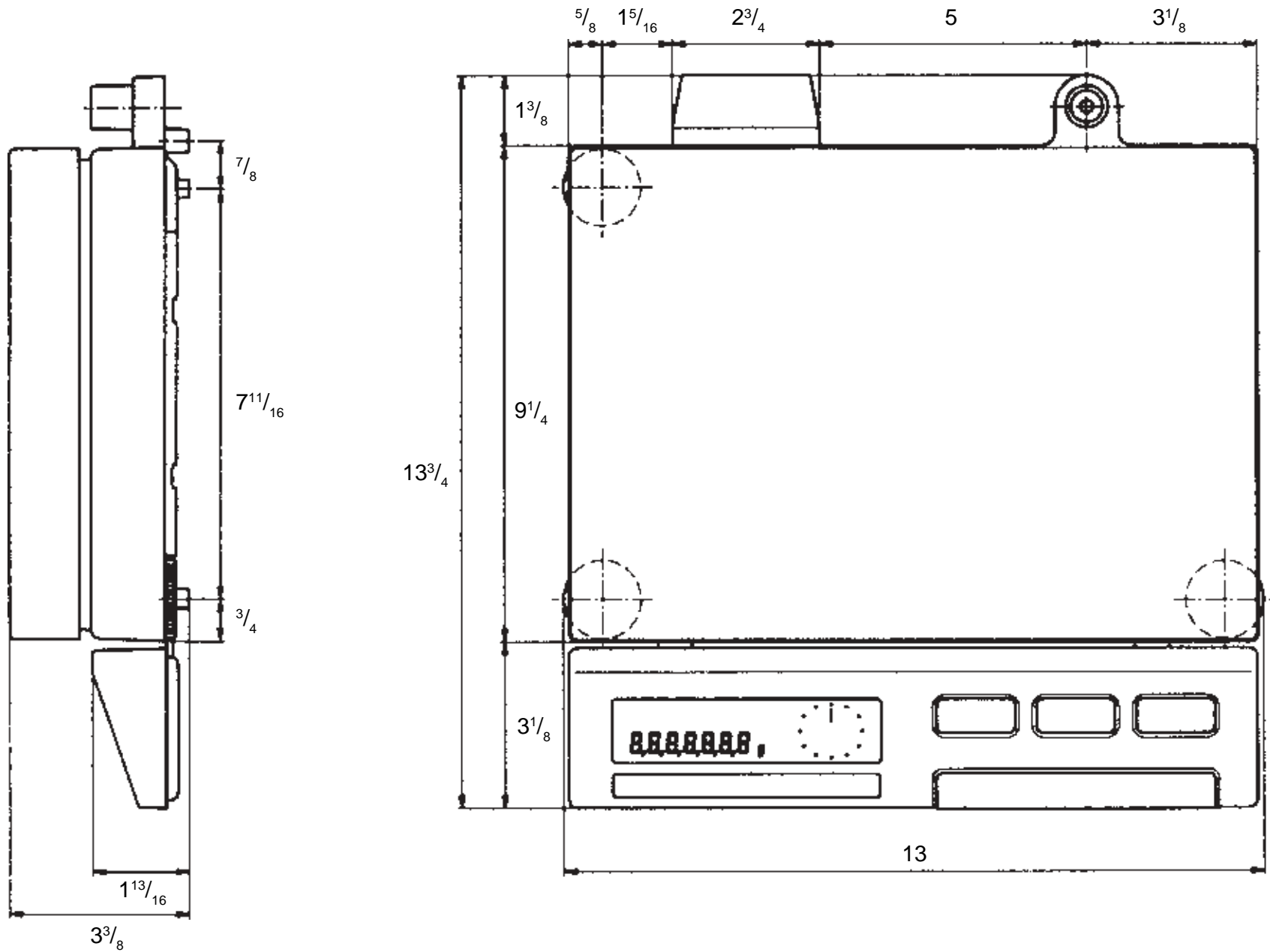
CONTROL DRAWING      ME-217064

27.7.1990

## Accessories

<b>Standard equipment for weighing platform</b>	<b>SM3000x</b>	<b>SM6000x</b>	<b>SM15x</b>	<b>SM1520x</b>	<b>SM15000x</b>
Leveling feet and level indicator	*	*	*	*	*
Data output for explosionproof peripherals	*	*	*	*	*
Explosionproof AC adapter (34591)	*	*	*	*	*
<hr/>					
<b>Accessories and spare parts to order</b>					
SM stand	34290	34290	34290	34290	34290
SM wall bracket (with extension cable, 1.5 m)	217013	217013	217013	217013	217013
Adapter for external taring with connection for foot and hand switch	217020	217020	217020	217020	217020
Foot switch	46278	46278	46278	46278	46278
Hand switch	42500	42500	42500	42500	42500
Extension cable for terminal, 1.5 m	34469	34469	34469	34469	34469
Extension cable for AC adapter, 5 m	217015	217015	217015	217015	217015
Interface adapter	217059	217059	217059	217059	217059
System plug SMx	217014	217014	217014	217014	217014
<hr/>					
Calibration weights	1000 g	2000 g	4000 g	4000 g	4000 g
Accuracy class OIML F1	47905	48312	48317	48317	48317

**Dimensions (inch)**



## **Federal communication commision radio frequency interference statement**

This equipment generates and uses radio frequency energy and if not installed and used properly, that is, in strict accordance with the manufacturer's instructions, may cause interference to radio and television reception. It has been type tested and found to comply with the limits of a Class B computing device in accordance with the specifications in Subpart J of Part 15 of FCC rules. If the user connects this equipment to other apparatus, he should take care that the overall interference level does not exceed the limits established by the FCC.

A booklet "How to Identify and Resolve Radio-TV Interference Problems" is available from the US Government Printing Office, Washington, D.C. 20402, Stock No. 004-000-00345-4.









Position für Klebeleiste