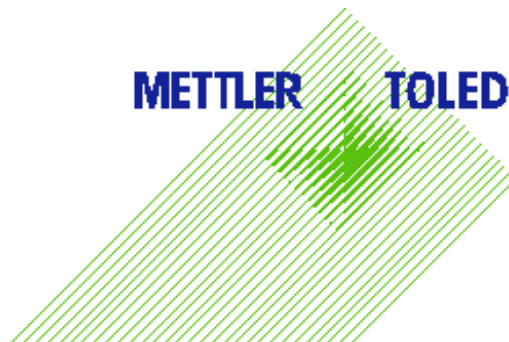


Pallet Truck Scale

BTA425 / BTA445

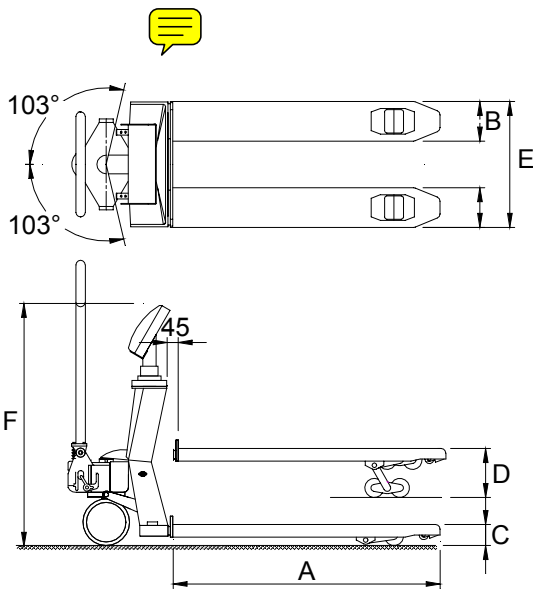


METTLER TOLEDO



Specification sheet BTA425 and BTA445

Lifting capacity	2000 kg
Weighing capacity	1500 or 2000 kg
Electronics	BTA425 supplied with IND425 BTA445 supplied with IND445
Graduations:	
Version 1500 kg	Multi-interval: 0-600 kg in 0.2 kg graduation 600-1500 kg in 0.5 kg graduation
Version 2000 kg	Multi-interval: 0-1000 kg in 0.5 kg graduation 1000-2000 kg in 1 kg graduation
Maximum error	0.1 % of the applied load (non legal for trade) Legal for trade conform EU-Specifications (incl. level switch for switching off display at inclinations over 2 degrees)
Power supply	Exchangeable battery module 12 Vdc / 1,2 Ah
Battery Autonomy	8 hours
Battery charging level	Indication in display (charger 230 Vac / 12 Vdc included)
Rotating indicator	360 degrees with stop, for readout from different angles
Wheels	Rubber steering wheels Polyurethane loading wheels (tandem)
Color	RAL 5003



DIMENSIONS

A = Fork length	1150 mm
B = Fork width	180 mm
C = Fork height	85 mm (+/- 2 mm)
D = Lifting height	205 mm
E = Width over the forks	555 mm (+/- 5 mm)
F = Top indicator height	910 mm

OPTIONS

- Version legal for trade
- Integrated printer for printing out weights
- Extra exchangeable battery module
- Stainless steel fork shoes
- Different loading or steering wheels
- Different dimensions
- Footbrake

METTLER TOLEDO