

CS9000GC DATA CAPTURE SOLUTION

Accurate Weighing, Dimensioning and ID for **automatic in-motion data capture**

Increase revenues, decrease costs and improve quality by accurately measuring the dimensions of parcels and objects.



The CS9000 GC is a complete, in-motion data capture solution. Packages, travelling at speeds over 70 m/min are automatically spaced, then accurately, dimensioned, identified and weighed. The information supplied by this system can increase revenues, optimise control of inventory, save on operational costs and improve flow of goods.

The unit is suited for warehouse and package sorting terminals. The CS9000 GC is designed to be integrated into driven or non-driven package handling conveyor systems.

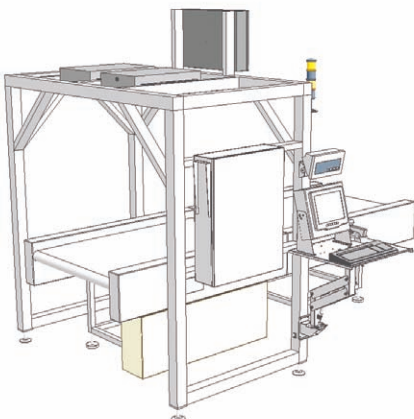
The CS9000GC comes in two versions:

- **Fully automatic**, a dual belt inline system – that captures data, totally automatically. No requirement for human intervention.
- **Validation**, a triple belt inline system, where packages, missing customer required data, stop and an operator keys in missing information.

Further features of the CS9000GC include:

- High data capture rate; in actual installations usually > 95% for ALL information.
- 3 dimensional (3D) parcel and bar code tracking. Insures correct data even if packages are not well separated.
- Automatic accuracy control, making sure the instrument is measuring correctly on a daily basis.
- Swap concept of parts. If failure should occur, quick repair time.
- Compatible interfacing with existing data and conveyor systems.
- Full remote diagnostics, reducing training time, failure diagnosis and repair.
- OIML certified and legal for trade according to international and local country approval regulations.
- Proven technology and components. Hundreds of installations provide the security of a well proven system.
- One solid company offering all the measuring components, providing an optimal system for weighing dimensioning and bar code reading.

Dimensioner	CS900 for regular parcels/ CS5200 for all shapes
Scale	Mettler Toledo SL 100 / ID1 Plus for dynamic weighing
Bar Code Reader	Datalogic DX8200 for overhead reading & Datalogic Gryphon for handheld reading
Software	AMS – CSM, specially designed by Cargoscan for merging data



< The Typical CS9000GC Data Capture Solution

TECHNICAL SPECIFICATIONS

CS9000GC – Weigh Dim ID Solution

SYSTEM:	CS9000GC DCS
Parcel Throughput	From 500 – 2000 parcels/objects per hour depending on speed
Conveyor Speeds	25 – 73 m/min
Conveyor Sizes	Separation, weighing and validation conveyors are 1600 x 950 mm
Object Spacing	Parcels require separation of 15 cm back to front. Optimal performance when items are placed with long side parallel to conveyor movement
Operational Temperature	+0° to 40°C (26° to 104°F)
Voltage	3 x 400 VAC + N
Laser type	Class 1, unconditionally safe
Connectivity	RS232, RS422, TCP/IP (FTP), other special communication protocols can be developed to meet other customer requirements
Workstation	Can be mounted on either side of the conveyors and includes: table, 12" monitor, keyboard, mouse & hand held bar code reader
DIMENSIONING:	CARGOSCAN CS900 OR CS5200.2
Precision	± 5 mm (± 0,2 in)
Maximum object size (w×h×l)	900 x 900 x 1200 mm (36 x 36 x 48 in)
Minimum object size (w×h×l)	20 x 100 x 150 mm (0,8 x 4 x 6 in)
Object Shape	Regular shaped parcels/objects: CS900 option. All shapes: CS5200 option
Object orientation	Place most stable surface down. No other restrictions
Approval	OIML R129 and local country approvals where required
WEIGHING:	METTLER TOLEDO SL 100 / ID1 PLUS
Precision	± 50 g, option: ± 20 g
Maximum weight	60 kg
Minimum weight	250 gr, option: 100 gr
Approval	OIML R51 and local country approvals where required
SOFTWARE:	CARGOSCAN AMS - CSM
	AMS – CSM Software for controlling multiple systems – Open PC Architecture Remote diagnostic option
Approval	Wellmac and local country approvals where required
BAR CODE READING:	OVERHEAD: DATALOGIC DX8200 – OMNIDIRECTIONAL. HANDHELD: DATALOGIC GRYPHON.
Bar codes	1D codes: Minimum code line 0,375 mm, minimum height 25 mm 2D codes: On request
Position	The bar code is required to be on the top surface of the package
Optional Bar Code Positions	Several side and front reading configurations available Recommended: Side and front bar code reading using 3 x Datalogic DS8100

Combining Superior Technologies

Dimensioning: Accurate and reliable measurements with renowned and well-proven CARGOSCAN PILAR (R) technology. **Weighing:** Fast and accurate weight data from global supplier of precision – METTLER TOLEDO. **Identification:** Best in class bar code rates with omni-directional reading from Datalogic. **Software:** CARGOSCAN's application software CSM takes full advantage of each of the above-mentioned technologies to create one seamless and effective data capture solution. Transforming the data into information and sending the information to a wide range of host computer systems, the captured data from all modules is made available where you want it.