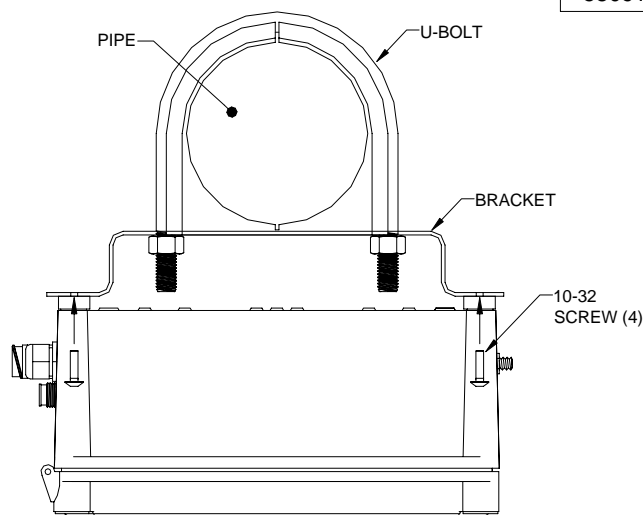


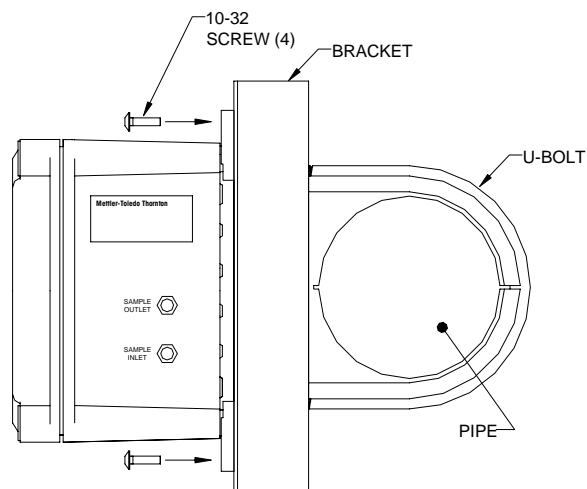
INSTALLATION INSTRUCTIONS for 5000TOC Sensor Pipe Mounting Kits

The 5000TOC Sensor can be mounted on either vertical or horizontal pipe. These kits consist of a mounting bracket, (4) mounting screws and (2) U-bolts with nuts of the size listed in the table. Referring to the illustration below, locate the U-bolts on the pipe, line up the bracket to the appropriate U-bolt size slots, install the nuts and tighten. Do not over tighten and deform the bracket. Mount the 5000TOC Sensor to the bracket with (4) #10-32 screws included with the kit.

Mounting Kit	U-bolt pipe size
58091521	1-½"
58091522	2"
58091523	3"
58091524	4"



TOP VIEW
VERTICAL PIPE MOUNTING



SIDE VIEW
HORIZONTAL PIPE MOUNTING