

# InTrac 798 e – retractable housing for CIP and SIP applications

## Technical Data

---



InTrac 798 e

### Short description

With the introduction of the InTrac 798 e, METTLER TOLEDO offers a new retractable housing specially developed for use in the food and pharmaceutical industries. The InTrac 798 e takes into consideration today's strict requirements on hygienic equipment design without compromising on operational and maintenance comfort, such as the possibility of unrestricted access to the electrode at all times. This completely new housing, with an ingeniously designed flushing chamber, has undergone testing for hygienic operation by the EHEDG.

The main features of the housing are:

- design according to EHEDG guidelines, optimized for CIP procedures
- complete draining of flushing chamber
- two different immersion depths, 50 mm for pipes and 100 mm for side-mounted installations in vessels or fermenters
- uniform sensor length 120 mm (diameter 12 mm)
- wide variety of dedicated process adaptations for food and pharmaceutical applications
- improved safety standard due to a new integrated electrode detection system
- constant overall unit length independent of electrode position (immersed or retracted).

### Contents

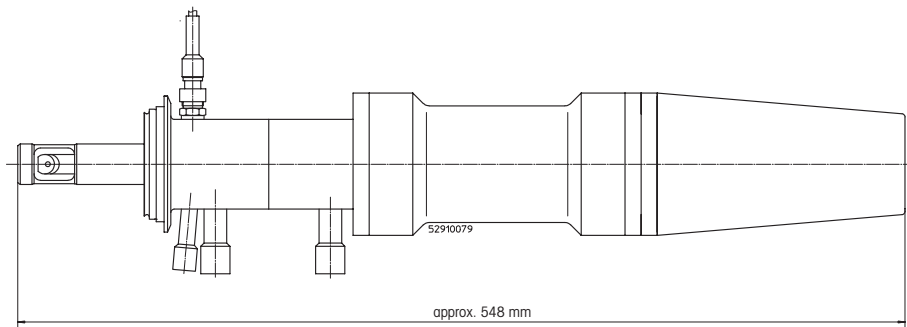
Dimensional drawings: InTrac 798 e	2
Flushing chamber	3
Process adaptations	4
Technical specifications: InTrac 798 e	5
Connections	5
Suitable electrodes/sensors	6
Nomenclature of the new InTrac 798 e	6
Ordering information InTrac 798 e	7
Accessories	7
Spare parts	7
Documentation	7

**METTLER TOLEDO**

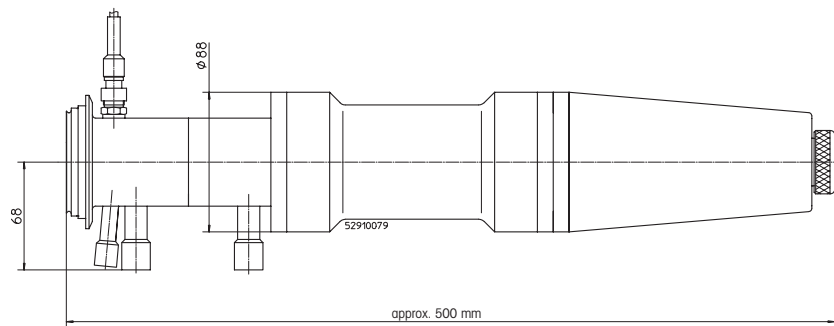
**Dimensional drawings InTrac 798 e**

The exact dimensions of the housing depend on the process adaption method chosen. In the following example, the installation is illustrated on the basis of the use of a Tuchenhagen/Varivent adapter. Exact details of the immersion depth are to be found in the section "Process adaptations/dimensional drawings". In order to ensure adequate space for any work on and around the housing, we recommend that an additional clearance of at least 300 mm is allowed for electrode change (see drawing "Dimensions for electrode change" below).

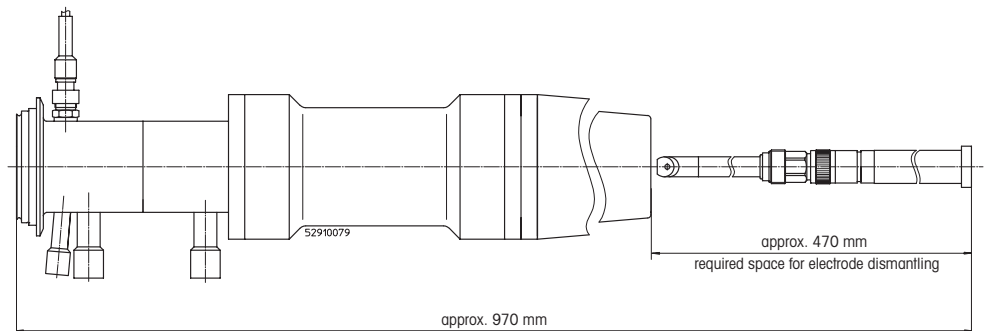
**Dimensions in immersed mode (measuring)**



**Dimensions in retracted mode (maintenance)**



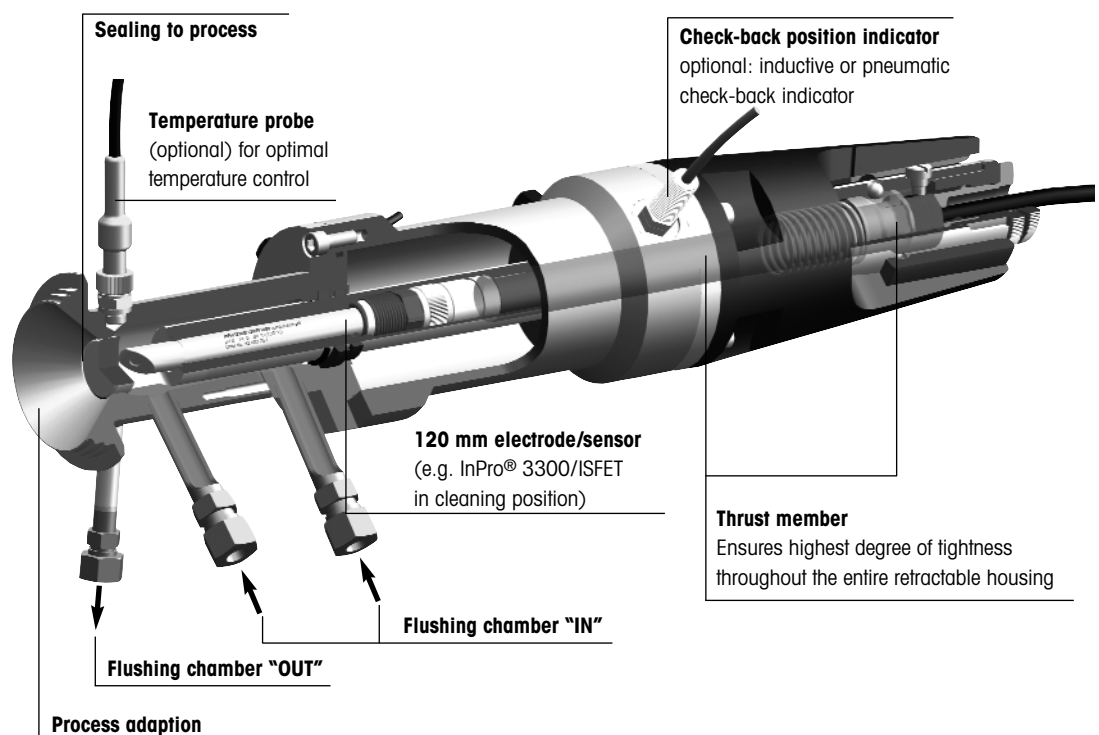
**Dimensions for electrode change**



Flushing chamber

The InTrac 798 e is equipped with a new type of flushing chamber offering the following impressive benefits:

- safe steam-sterilization of the electrode in the flushing chamber
- flange and flushing chamber are one single workpiece, and consequently free of gaps or slits which could give rise to contamination
- complete drainability of flushing chamber
- tested sterile safety of flushing chamber
- verified and certified EHEDG design of the process adaption(s)
- all wetted O-rings made of EPDM-FDA.

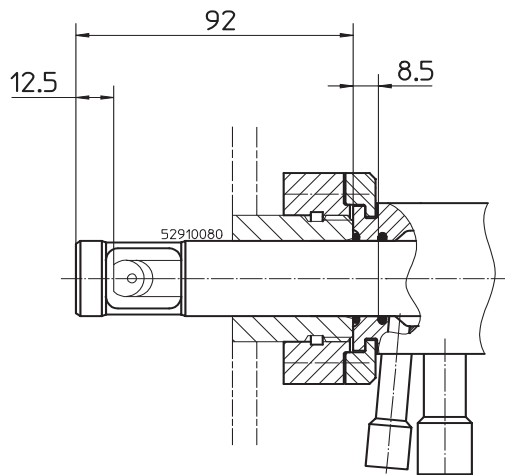


Process adaptations

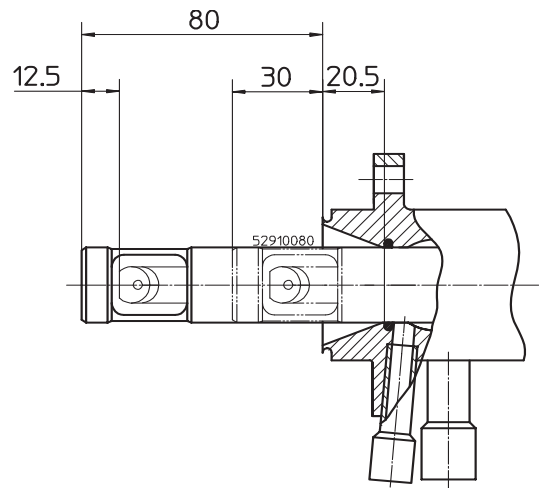
The InTrac 798 e consists of a uniform standard housing with the relevant process adaptations. The immersion depths of the immersion tube can deviate depending on which process adaption method is used. The following drawings depict typical adaption methods and the corresponding immersion depths in pipes or vessels.

Dimensional drawings process adaptations/immersion depths

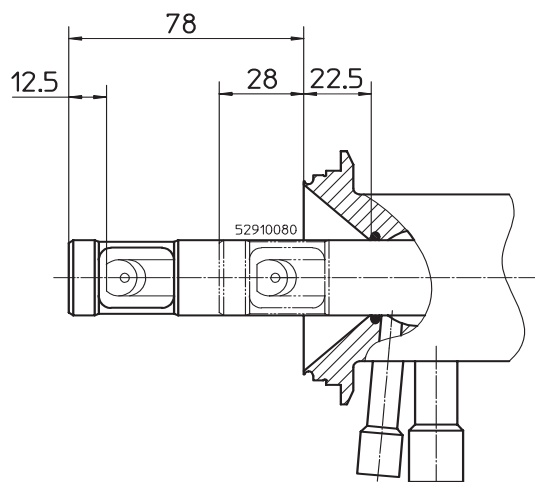
**INGOLD DN25 stroke 100 mm**



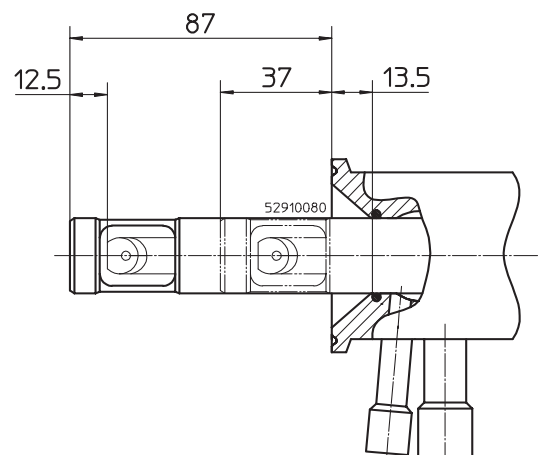
**NEUMO DN50 stroke 100 mm (optional 50 mm)**



**Varivent stroke 100 mm (optional 50 mm)**



**Tri-Clamp 2" stroke 100 mm (optional 50 mm)**



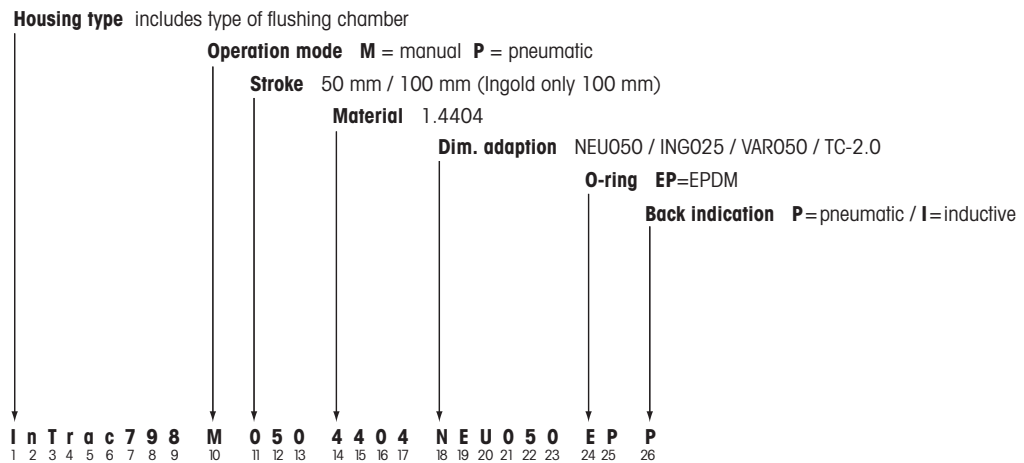
Specifications: retractable housing InTrac 798 e

<b>Ambient conditions:</b>	
Temperature	0 ... 70 °C
<b>Process conditions:</b>	
Temperature range	0 ... 140 °C (32 ... 284 °F)
Functional pressure range	InTrac 798 e M: 0 ... 5 bar (0 ... 72.50 psi) InTrac 798 e P: 0 ... 8 bar (0 ... 116 psi)
Max. permissible pressure	16 bar (232 psi)
<b>Technical details:</b>	
Standard process adapters	Ingold DN25 Neumo DN50 Varivent DN50 Tri-Clamp 2"
<b>Wetted parts</b>	1.4404 PTFE EPDM-FDA
<b>Non-wetted parts</b>	1.4305 PA
<b>Weight</b>	approx. 6.5 kg
<b>Dimensions</b>	length: approx. 490 mm (19.3") in measuring and maintenance position length: 880 mm (34.7") for electrode removal (minimum)
<b>Pneumatic connections</b>	4 ... 8 bar (58 ... 116 psi)
<b>Compressed air quality (ISO 8573-1)</b>	– moisture content, class 4 (water dew point +3 °C/37.5 °F) – particles, class 5 (filter 40 mm/1.57") – max. oil content, class 2 (0.1 mg/m <sup>3</sup> ) air connections designed for hose 6/4 mm
<b>Flushing connection</b> (water, steam)	2 ... 6 bar (29 ... 87 psi) 2 x connections "IN": thread G 1/4" female 1 x connection "OUT": thread G 1/8" female
<b>Check-back position indicator</b>	pneumatic back indication (3/2-way valve); G 1/8" inductive back indication non-Ex, M12 x 1 (both tapped holes integrated)
<b>Pressure domain</b>	According to PED Art. 1, Sec. 2.2: "Pressure" means pressure relative to atmospheric pressure, i.e. gauge pressure. As a consequence, vacuum is designated by a negative value.

Suitable electrodes/sensors

<b>Types</b>	All 120 mm electrodes/sensors with Pg 13.5 thread and 12 mm diameter (except Turbidity sensors)
<b>Length</b>	120 mm (diameter 12 mm) 4.70" (diameter 0.47")
<b>Certificates</b>	EHEDG 3A 3.1B CE

Nomenclature of the new InTrac 798 e



The positions (numbers) of the individual code designations are decisive in being able to identify the housing correctly. When ordering, it is therefore imperative to include the complete designation of the housing together with the relative order number.

InTrac 798 e: standard models

Designation	Order no.
InTrac 798 e M 100 4404 ING025 EP _	52 402 764
InTrac 798 e P 100 4404 ING025 EP _	52 402 766
InTrac 798 e M 100 4404 NEU050 EP _	52 402 768
InTrac 798 e M 050 4404 NEU050 EP _	52 402 769
InTrac 798 e P 100 4404 NEU050 EP _	52 402 770
InTrac 798 e P 050 4404 NEU050 EP _	52 402 771
InTrac 798 e M 100 4404 TC-2,0 EP _	52 402 772
InTrac 798 e M 050 4404 TC-2,0 EP _	52 402 773
InTrac 798 e P 100 4404 TC-2,0 EP _	52 402 774
InTrac 798 e P 050 4404 TC-2,0 EP _	52 402 775
InTrac 798 e M 100 4404 VAR050 EP _	52 402 776
InTrac 798 e M 050 4404 VAR050 EP _	52 402 777
InTrac 798 e P 100 4404 VAR050 EP _	52 402 778
InTrac 798 e P 050 4404 VAR050 EP _	52 402 779

Please consult your local METTLER TOLEDO representative if the required model is not available as standard.

Accessories

Designation	Order no.
Pt 100-764/5 m	10 1003 104 IG
Pt 1000-764/5 m	10 1003 116 IG
Back indication set non-Ex (2 pcs.), inductive	52 402 398
3/2-way indication valve set (2 pcs.), pneumatic	52 401 324

Spare parts

Designation	Order no.
Sealing set 798 e P	52 403 557
Sealing set 798 e M	52 403 558
Safety system 798 e complete	52 403 559
Thrust member 798 e complete	52 403 560

Documentation

Designation	Order no.
Instruction manual InTrac 798 e (3-language edition: English, German, French)	52 402 788

## METTLER TOLEDO Market Organizations

### Sales and Service:

#### Australia

Mettler-Toledo Ltd.  
220 Turner Street  
Port Melbourne  
AUS - 3207 Victoria  
Phone +61 31300 659 761  
Fax +61 3 9645 3935  
e-mail mtausprocess@mt.com

#### Austria

Mettler-Toledo GmbH  
Südrandstrasse 17  
AT - 1230 Wien  
Phone +43 1 604 19 80  
Fax +43 1 604 28 80  
e-mail infoprocess.mtat@mtf.com

#### Brazil

Mettler-Toledo Ind. e Com. Ltda.  
Alameda Araguaia  
451 - Alphaville  
BR - 06455-000 Barueri / SP  
Phone +55 11 4166 74 00  
Fax +55 11 4166 74 01  
e-mail sales@mettler.com.br  
service@mettler.com.br

#### China

Mettler-Toledo Instruments  
(Shanghai) Co. Ltd.  
589 Gui Ping Road  
Cao He Jing  
CN - 200233 Shanghai  
Phone +86 21 64 85 04 35  
Fax +86 21 64 85 33 51  
e-mail mtcs@public.sta.net.cn

#### Croatia

Mettler-Toledo d.o.o.  
Mandlova 3  
HR - 10000 Zagreb  
Phone +385 1 292 06 33  
Fax +385 1 295 81 40  
e-mail mt-zagreb@mtf.com

#### Czech Republic

Mettler-Toledo spol s.r.o.  
Trebohosticka 2283/2  
CZ - 100 00 Praha 10  
Phone +420 2 72 123 150  
Fax +420 2 72 123 170  
e-mail sales.mtcz@mtf.com

#### Denmark

Mettler-Toledo A/S  
Naverland 8  
DK - 2600 Glostrup  
Phone +45 43 27 08 00  
Fax +45 43 27 08 28  
e-mail info.mtdk@mtf.com

#### France

Mettler-Toledo  
Analyse Industrielle Sarl  
30, Boulevard de Douaumont  
BP 949  
F - 75829 Paris Cedex 17  
Phone +33 1 47 37 06 00  
Fax +33 1 47 37 46 26  
e-mail mtpro-f@mtf.com

#### Germany

Mettler-Toledo GmbH  
Prozeßanalytik  
Ockerweg 3  
D - 35396 Gießen  
Phone +49 641 507 333  
Fax +49 641 507 397  
e-mail prozess@mtf.com

#### Great Britain

Mettler-Toledo LTD  
64 Boston Road, Beaumont Leys  
GB - LE4 1AW Leicester  
Phone +44 116 235 7070  
Fax +44 116 236 5500  
e-mail enquire.mtuk@mtf.com

#### Hungary

Mettler-Toledo Kereskedelmi KFT  
Teve u. 41  
HU - 1139 Budapest  
Phone +36 1 288 40 40  
Fax +36 1 288 40 50  
e-mail mthu@axelero.hu

#### India

Mettler-Toledo India Private Limited  
Amar Hill, Saki Vihar Road  
Powai  
IN - 400 072 Mumbai  
Phone +91 22 2857 0808  
Fax +91 22 2857 5071  
e-mail sales.mtin@mtf.com

#### Italy

Mettler-Toledo S.p.A.  
Via Vialba 42  
I - 20026 Novate Milanese  
Phone +39 02 333 321  
Fax +39 02 356 2973  
e-mail customercare.italia@mtf.com

#### Japan

Mettler-Toledo K.K.  
Process Division  
5F Tokyo Ryutsu Center, Annex B  
6-1-1 Heiwajima, Ohta-ku  
JP - 143-0006 Tokyo  
Phone +81 3 5762 07 06  
Fax +81 3 5762 09 71  
e-mail helpdesk.ing.jp@mtf.com

#### Malaysia

Mettler-Toledo (M) Sdn Bhd  
Bangunan Electrocon Holding  
Lot 8 Jalan Astaka U8/84  
Seksyen U8, Bukit Jelutong  
MY - 40150 Shah Alam Selangor  
Malaysia  
Phone +60 3 78 45 57 73  
Fax +60 3 78 45 87 73  
e-mail ahmad.rashidi@mtf.com

#### Mexico

Mettler-Toledo S.A. de C.V.  
Pino No. 350, Col. Sta.  
MA. Insurgentes, Col Atlampa  
MX - 06450 México D.F.  
Phone +52 55 55 47 57 00  
Fax +52 55 55 41 22 28  
e-mail mario.roca@mtf.com

#### Poland

Mettler-Toledo (Poland) Sp.z.o.o.  
ul. Poleczki 21  
PL - 02-822 Warszawa  
Phone +48 22 545 06 80  
Fax +48 22 545 06 88  
e-mail polska@mtf.com

#### Russia

Mettler-Toledo Vostok ZAO  
Sretenskij Bulvar 6/1  
Office 6  
RU - 101000 Moscow  
Phone +7 095 921 92 11  
Fax +7 095 921 63 53  
+7 095 921 78 68  
e-mail inforus@mtf.com

#### Singapore

Mettler-Toledo (S) Pte. Ltd.  
Block 28  
Ayer Rajah Crescent #05-01  
SG - 139959 Singapore  
Phone +65 6890 00 11  
Fax +65 6890 00 12  
+65 6890 00 13  
e-mail ashley.kong@mtf.com

#### Slovakia

Mettler-Toledo s.r.o.  
Bulharska 61  
SK - 82104 Bratislava  
Phone +421 243 42 74 96  
Fax +421 243 33 71 90  
e-mail predaj@mtf.com

#### Slovenia

Mettler-Toledo d.o.o.  
Peske 12  
SI - 1236 Trzin  
Phone +386 1 530 80 50  
Fax +386 1 562 17 89  
e-mail cipot@mtslo.mt.com  
racman@mettler-toledo.si

#### South Korea

Mettler-Toledo (Korea) Ltd.  
Yeil Building 1 & 2 F  
124-5, YangJe-Dong  
SeCho-Ku  
KR - 137-130 Seoul  
Phone +82 2 3498 3500  
Fax +82 2 3498 3556  
e-mail Sales\_MTKR@mtf.com

#### Spain

Mettler-Toledo S.A.E.  
C/ Miguel Hernández, 69-71  
ES - 08908 L'Hospitalet de Llobregat  
(Barcelona)  
Phone +34 93 223 76 00  
Fax +34 93 223 76 01  
e-mail bcn.centralita@mtf.com

#### Sweden

Mettler-Toledo AB  
Virkesvägen 10  
Box 92161  
SE - 12008 Stockholm  
Phone +46 8 702 50 00  
Fax +46 8 642 45 62  
e-mail sales.mts@mtf.com

#### Switzerland

Mettler-Toledo (Schweiz) AG  
Im Langacher  
Postfach  
CH - 8606 Greifensee  
Phone +41 44 944 45 45  
Fax +41 44 944 45 10  
e-mail info.ch@mtf.com  
info.ola.ch@mtf.com

#### Thailand

Mettler-Toledo (Thailand) Ltd.  
272 Soi Soonvijai 4  
Rama 9 Rd., Bangkok  
Huay Kwang  
TH - 10320 Bangkok  
Phone +66 2 723 03 00  
Fax +66 2 719 64 79  
e-mail mettler@samarf.co.th

#### USA/Canada

Mettler-Toledo Ingold, Inc.  
36 Middlesex Turnpike  
Bedford, MA 01730, USA  
Phone +1 781 301 8800  
Toll free +1 800 352 8763  
Fax +1 781 271 0681  
e-mail mtprouse@mtf.com  
ingold@mtf.com



Management System  
certified according to  
ISO 9001 / ISO 14001

Subject to technical changes.  
© Mettler-Toledo GmbH, Process Analytics  
02/05 Printed in Switzerland. 52 402 787

Mettler-Toledo GmbH, Process Analytics  
Industrie Nord, CH-8902 Urdorf  
Tel. + 41 44 736 22 11, Fax +41 44 736 26 36

[www.mtpro.com](http://www.mtpro.com)