




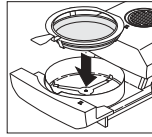

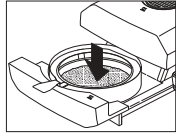



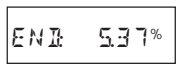

Short-form operating instructions

HG63 Moisture Analyzer

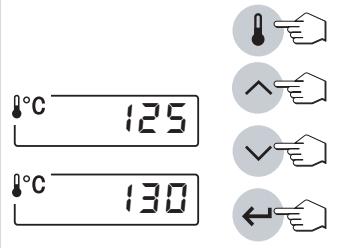
For detailed information see operating instructions






METTLER TOLEDO

Moisture determination (chronological sequence of the measurement cycle and status display "User Guide")

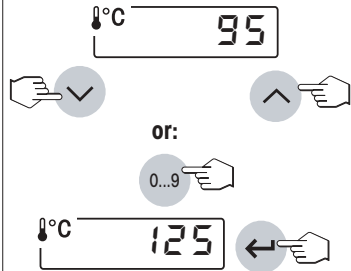
Switch on  	1 Standby mode  Return to standby mode at any time with «Reset»	2 Load pan 	3 Tare 	4 Weigh in 	5 Start 	6 Drying wait 	7 Read result   
--	---	--	--	--	---	---	---






Enter drying temperature (standard and rapid drying)



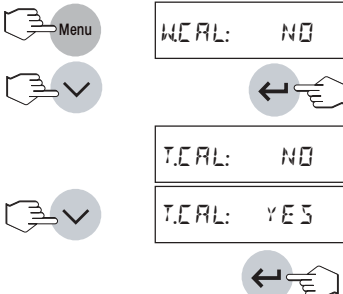










Numeric entries



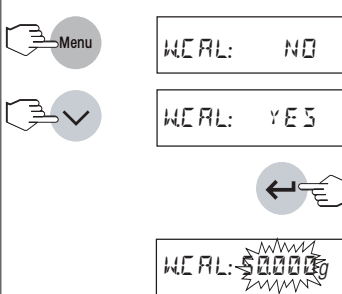


 or:







Heating module adjustment



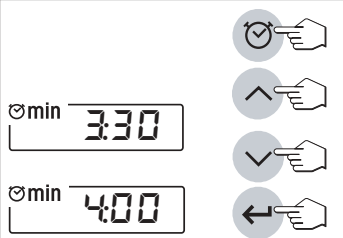










Balance adjustments



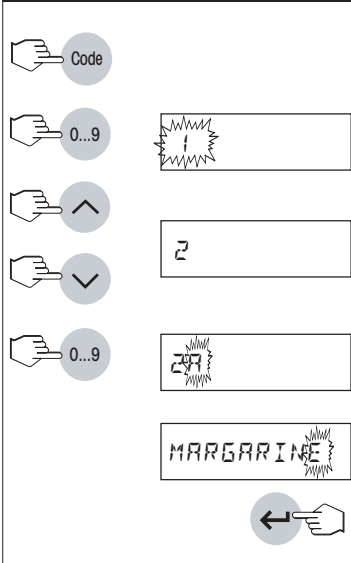










Enter drying time

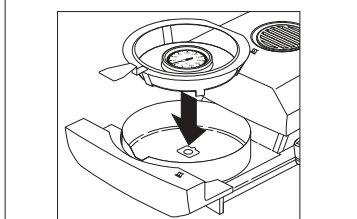










Alphanumeric entries





 Start ... wait ... 

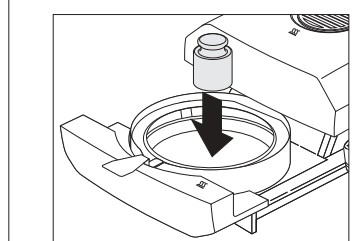
Read off 1st temperature on temperature adjustment set and enter:

T.CAL: 102

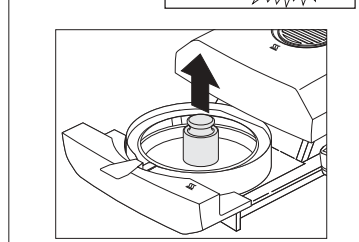
 ... wait ... 

Read off 2nd temperature on temperature adjustment set and enter:

T.CAL: 158 

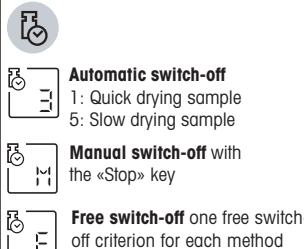


WEAL: 50000g



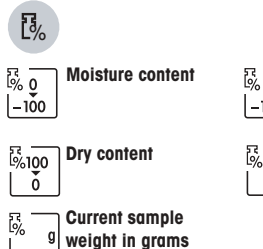
Function keys

Selection of the switch-off criterion



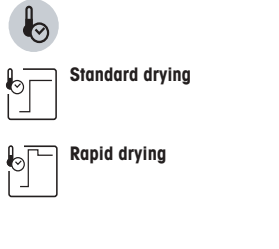
Automatic switch-off
 1: Quick drying sample
 5: Slow drying sample
Manual switch-off with the «Stop» key
Free switch-off one free switch-off criterion for each method

Selection of the display mode



Moisture content
Dry content
Current sample weight in grams

Selection of the drying program



Standard drying
Rapid drying



Error messages

ERROR: 1	Cause: No stability during taring or adjustment Remedy: Seek stable surroundings/optimum location/Take care that no part of the sample or the sample pan touch the draft shield element or the sample pan holder
ERROR: 2	Cause: No or wrong adjustment weight loaded Remedy: Load correct adjustment weight
ERROR: 3	Cause: Loaded sample weight too low Remedy: Weigh in sample with minimum weight (100 mg)
ERROR: 4	Cause: Sample vessel has not been tared Remedy: Tare sample vessel
ERROR: 5	Cause: Upper/lower limit of admissible input range violated Remedy: Enter value in admissible range
ERROR: 6	Cause: Keypad has been locked in menu, printer deactivated in menu Remedy: Cancel keypad locking, activate printer in menu
ERROR: 7	Cause: The selected switch-off criterion does not permit a time entry Remedy: Select switch-off criterion "Timed switch-off"
ERROR: 8	Cause: Time limit for value entry in heating module adjustment exceeded (10 minutes) Remedy: Repeat heating module adjustment and enter value in good time
ERROR: 9	Cause: Undefined condition Remedy: Press «Reset» or switch instrument off then on again with «On/Off» key.
ERROR: 10	Cause: Sample chamber has not cooled down sufficiently Remedy: Allow the instrument to cool down to the starting temperature

Important: You must acknowledge the error messages with the «Reset» key before you can continue working with the instrument. Consult the operating instructions of your instrument for information on other error messages.

Record printout (example)

```

A  -MOISTURE DETERMINATION-
B  METTLER TOLEDO
   Halogen MoistureAnalyzer
C  Type:                HG63
D  SNR:                 1234567890
E  SW:                  2.01

F  Method:
   05

G  QUALITY CHECK
H  Switchoff mode 2
I  Gentle drying
J  Drying temp.       105 °C
K  Disp.mode         0...-100 %MC
L  Start weight      2.507 g

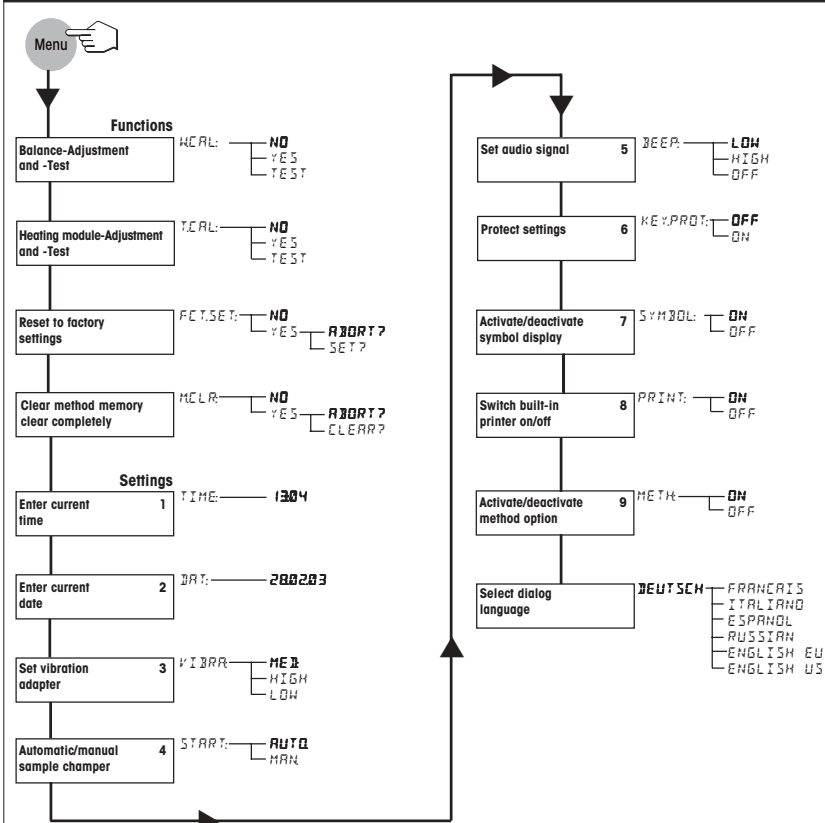
M  1:00 min          -2.51 %MC
   2:00 min          -3.39 %MC
   3:00 min          -3.71 %MC

N  Total time        3:19 min
O  Dry weight        2.412 g
P  End result        -3.79 %MC

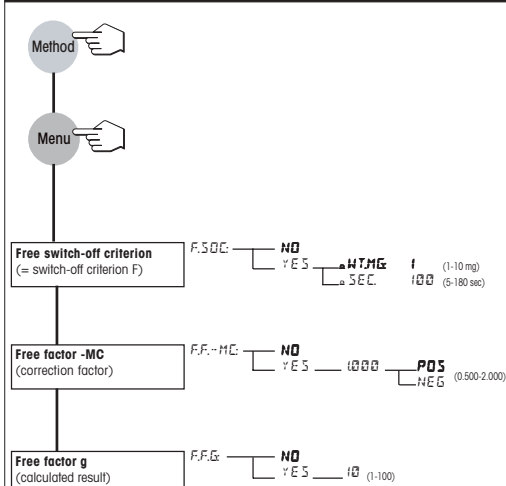
Q  ---30.06.03---15.14---
    
```

- A** Record title
- B** Manufacturer and Designation of the instrument
- C** Type of the instrument
- D** Serial number of the instrument
- E** Version number of the software
- F** Selected method number
- G** Comment line
- H** Selected switch-off criterion
- I** Selected drying program
- J** Drying temperature (set temperature)
- K** Selected display mode
- L** Sample weight at start of drying
- M** Measured value at each print interval
- N** Total time of drying
- O** Dry weight of the sample in grams
- P** Final result in the selected display mode
- Q** Date and time at the end of the measurement

Menu overview



Method menu overview



Selecting the setting within a menu item:

- Quits the menu without saving the last menu item you changed
- Saves the menu item and skips to the next menu item
- Calls up the next menu item
- Select settings
- Select settings