

Operating instructions SAG105

METTLER TOLEDO



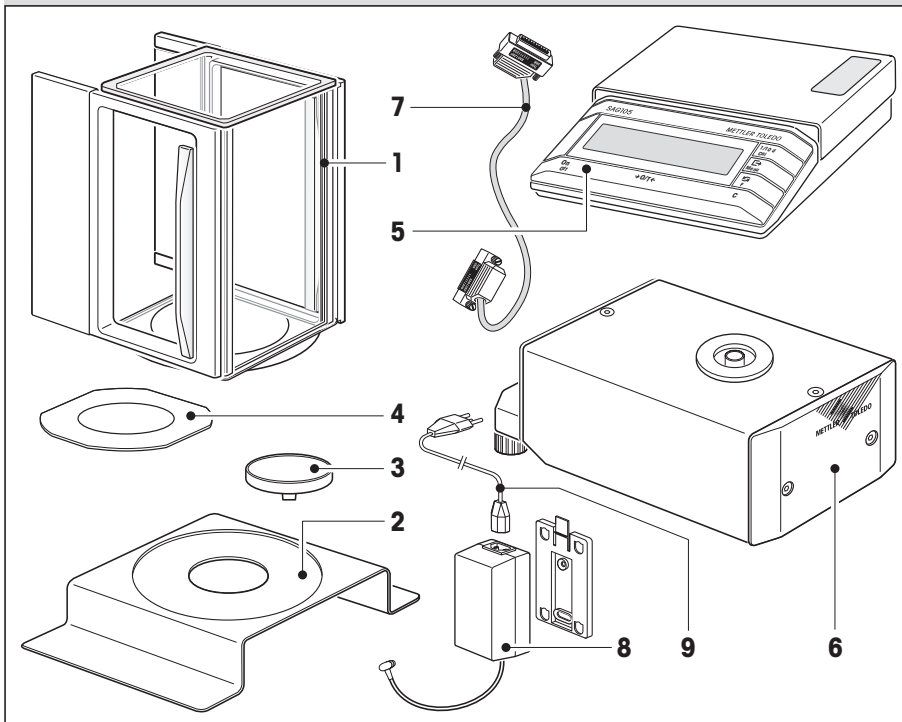
- For operation of the SAG105 please refer to the enclosed operating instructions for AG balances.

- For operating the PC Volume pipette calibration set please refer to the enclosed installation instructions SAG125P/SAG245P and the instructions for the PC Volume software.



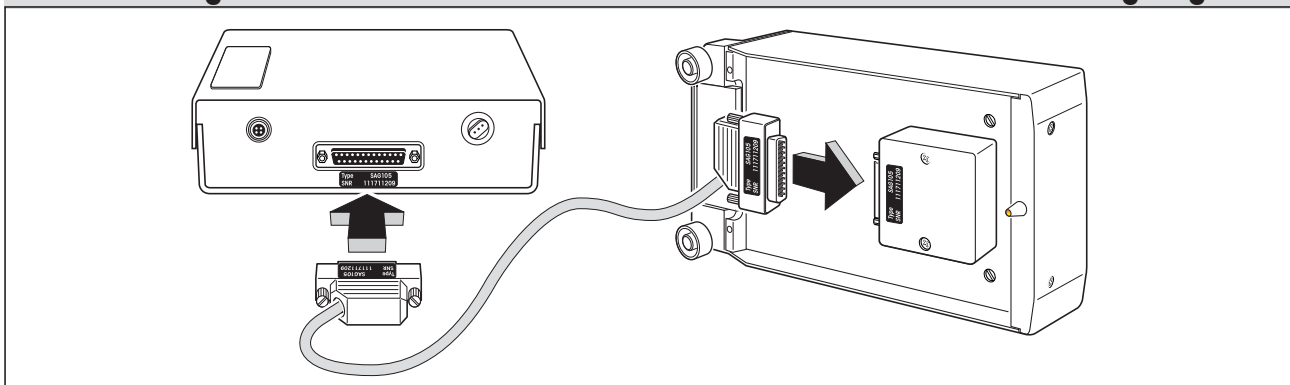
- The weighing unit, the control unit, and the connection cable supplied with them form a single unit and may only be used in combination with each other. The two instruments and the connection cable have labels, which must all be marked with the same serial number.

1 SAG105 standard equipment included in delivery

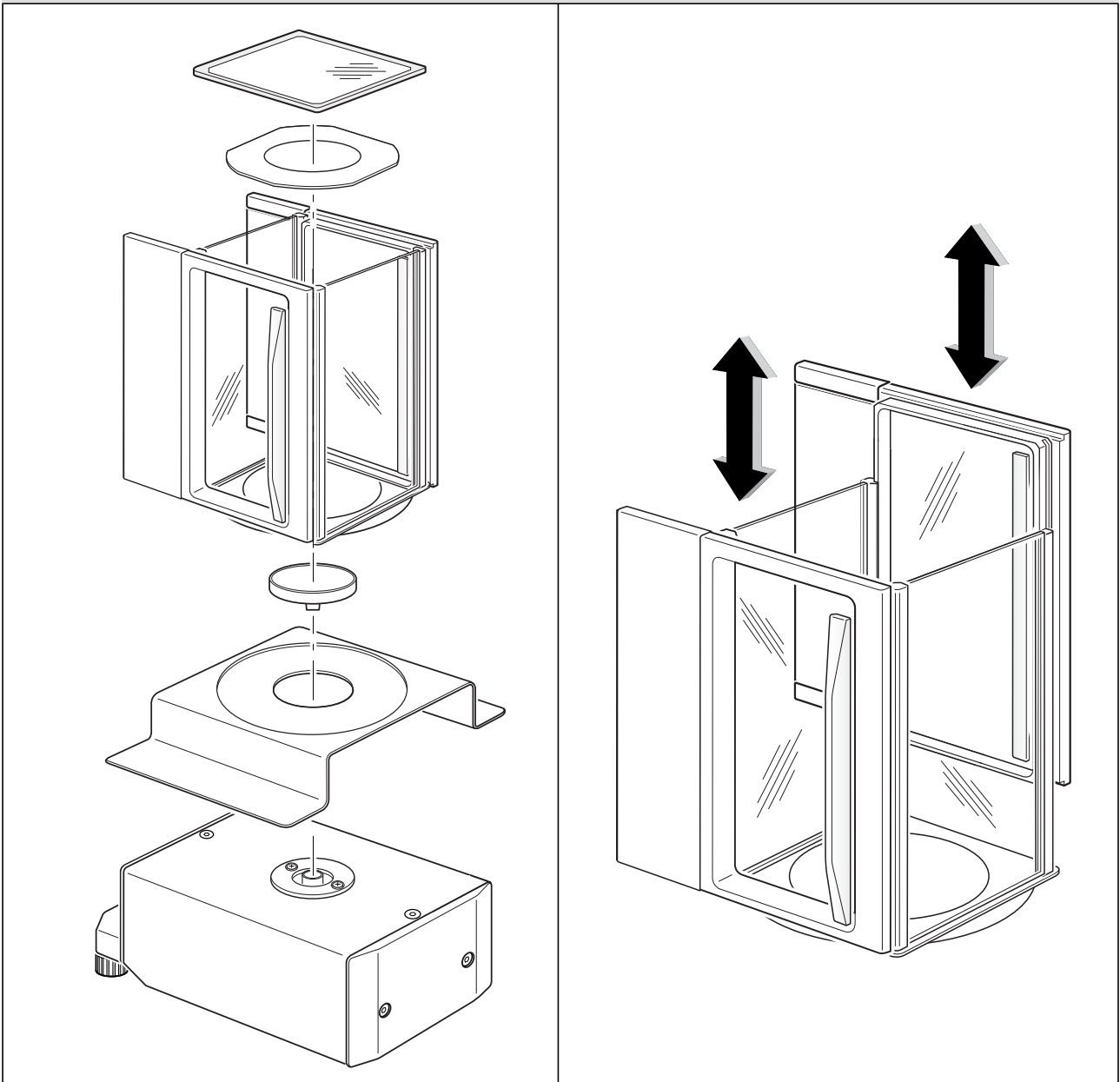


- 1. Glass draft shield**
 - with removable side panels
- 2. Cover plate,**
Order No. 00238784
- 3. Weighing pan Ø 50 mm,**
Order No. 00238472
- 4. Draft shield element,**
Order No. 00238472
- 5. Control unit**
- 6. Weighing unit**
- 7. Connection cable,**
Order No. 00222884 1.5 m
 - control unit/weighing unit
- 8. Power supply unit**
- 9. Power supply cable**

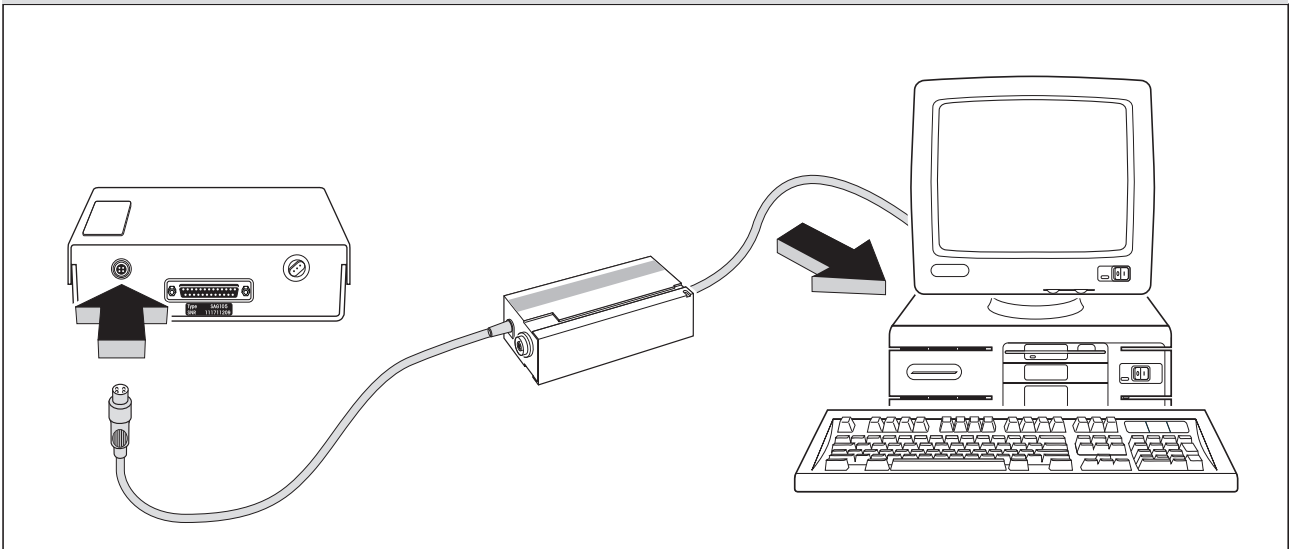
2 Installing the connection cable between the control unit and the weighing unit



3 Installing the draft shield



4 Connecting the LC-RS9 cable to a computer



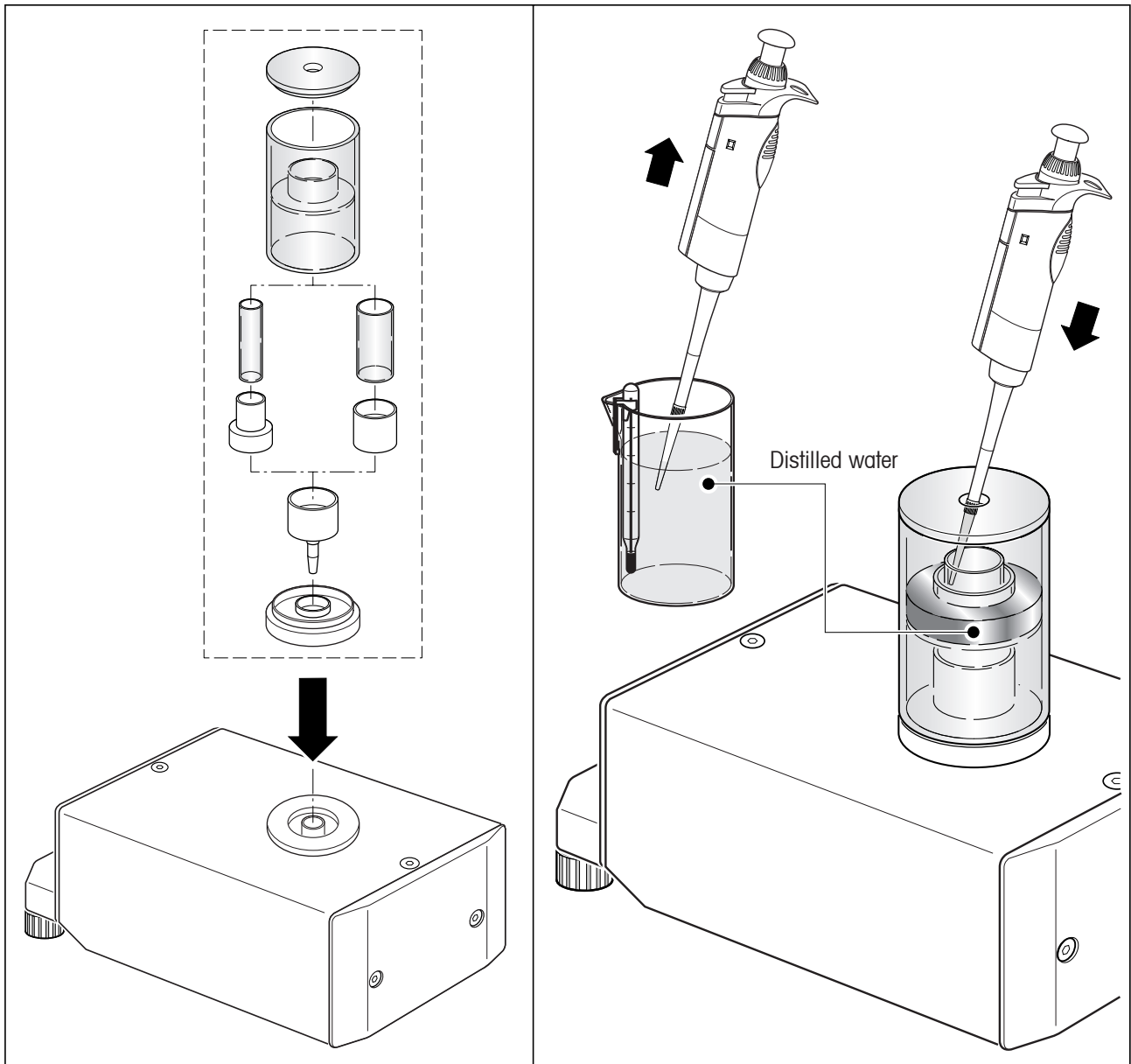
5 Installing the moisture trap (available as option)



By using the PC Volume Option 3 Kit (order number 21900793) the SAG105 can be easily converted to a pipette calibration kit.

Together with the SAG105 you then have a complete testing set for calibrating pipettes according to NCCLS, ISO, and DIN standards.

For further information, please contact our METTLER TOLEDO representative.



Note

The products shown above are not supplied with the SAG105 as standard.

6 Technical data for SAG105

	SAG105
Readability	0.01 mg
Max. weighing capacity	101 g
Taring range	0...101 g
Repeatability	0.05 mg
Linearity ¹⁾	0.15 mg
Sensitivity drift ¹⁾	± 1.5 ppm/°C
Stabilization time (typical)	≥ 5 s
Calibration weight, internal	100 g
Calibration, internal	manual, full automatic (FACT) or via control command
Calibration weight, external	20/50/100 g
Weighing unit 1	g, oz, ozt, GN, dwt, ct, mg, mo, msg
Weighing unit 2	mg, mo, msg, H tl, S tl, T tl, g, oz, ozt, GN, dwt, ct
Application functions	Piece counting, percent weighing, formulation, dynamic weighing
Data interface (with the electronic unit)	LocalCAN, RS232 ²⁾
Control commands	MT-SICS (as with AG balances)
Display (with the electronic unit)	LCD (backlit)
Weighing pan	∅ 50 mm/Optional moisture trap PC Volume (21900793)
Net weight:	
– electronic unit with power adapter	2.1 kg
– weighing cell	2.9 kg
Total weight	6.8 kg
Cable length between electronic unit/cell ³⁾	0.8 m (Sub.D 25pin at both sides)
Dimensions (W x H x D)	
– Control unit	178 x 62 x 216 mm
– Weighing unit incl. Cover plate and Draft shield	210 x 227 x 220 mm
– Weighing unit without Cover plate and Draft shield	128 x 97 x 220 mm
Fuse	Temperature switch
Power supply with AC/AC adapter and country specific cable	115 V - 20 % + 15 %, 50/60 Hz, 195 mA, Sek. 12 V, 50/60 Hz, 1.25 A 230 V - 20 % + 15 %, 50/60 Hz, 90 mA, Sek. 12 V, 50/60 Hz, 1.25 A
Power supply direct (without adapter)	9.5 - 17.5 V, 50/60 Hz, 7 VA oder 9 - 20 V=, 7 W
Admissible ambient conditions	Use only in closed rooms, insatallation category II, polution degree 2
Admissible ambient temperature ⁴⁾	5 - 40 °C
Max. relative atmospheric humidity	80 % RH by 30 °C
Height up to aboce sea level	4000 m

¹⁾ Within the temperature range 10 - 30 °C

²⁾ RS232C with sep. cable LC-RS9 resp. LC-RS25

³⁾ Different lengths on request

⁴⁾ Temperature changes may not lead to the formation of water of condensation in the weighing cell or electronic unit.