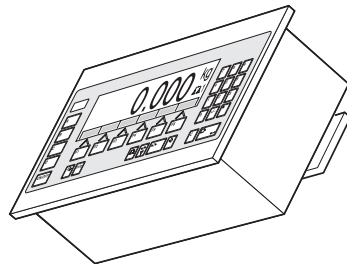
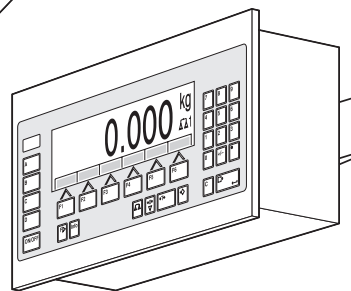
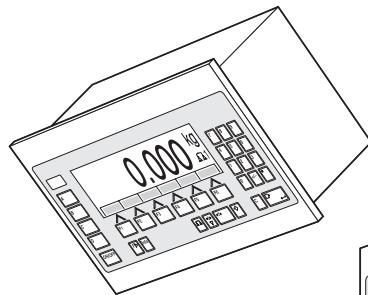
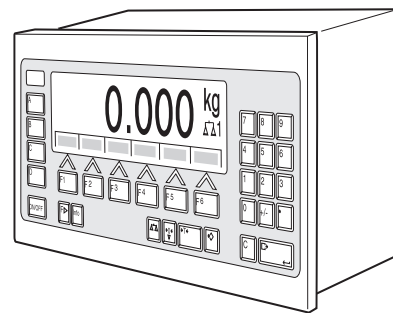
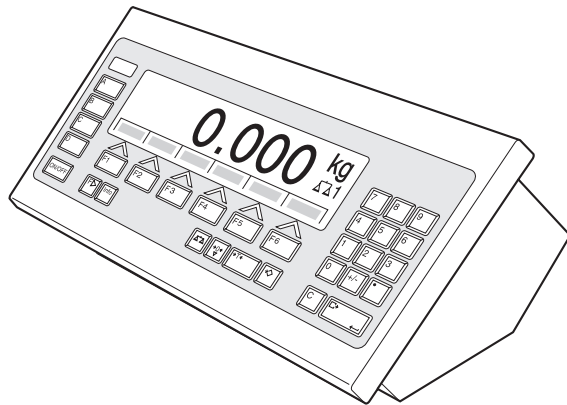


Operating instructions and installation information

METTLER TOLEDO MultiRange ID7-Sys²⁰⁰⁰ weighing terminal

METTLER TOLEDO



These operating instructions and installation information describe the following ID7-Sys weighing terminal:

Serial number:

Scale connections

	1	2	3
IDNet-ID7	x		
ID7 Analog Scale			

Interfaces

	COM1	COM2	COM3	COM4	COM5	COM6
CL20mA-ID7						
RS232-ID7	x					
RS422-ID7						
RS485-ID7						
RS485-ID7 with relay box 8-ID7						
4 I/O-ID7						
Analog Output ID7						
Alibi Memory ID7						
Ethernet ID7						
Profibus-DP-ID7						

These operating instructions and installation information contain all of the information on the ID7-Sys weighing terminal, including information on all available interfaces.

If your ID7-Sys weighing terminal is equipped with special application software for your particular application, you should also have received additional operating instructions with all relevant information.

Contents

	Page
1 Introduction and commissioning	3
1.1 Safety precautions	3
1.2 Applications	3
1.3 Use with the TermEx200 operating and display device	4
1.4 ID7-Sys weighing terminal	4
1.5 TermEx200 operating and display device	7
1.6 Commissioning	8
1.7 Cleaning	20
2 Basic functions	21
2.1 Switching on and off	21
2.2 Setting to zero	21
2.3 Taring	22
2.4 Weighing	22
2.5 Switching over weighing platform	23
2.6 Displaying versions	23
3 Additional functions	24
3.1 Displaying ID code and testing weighing platform	24
3.2 Recalling information	25
3.3 Working with external keypad	26
3.4 Recalling data from Alibi memory	27
4 Settings in the master mode	30
4.1 Overview of the master mode	30
4.2 Operating the master mode	31
4.3 TERMINAL master mode block	33
4.4 SCALE master mode block	35
4.5 INTERFACE master mode block	37
4.6 SERVICE MODE master mode block	46
5 Interface description	53
5.1 Profibus-DP communication with a PLC	53
6 What to do if....?	54
7 Technical data and accessories	57
7.1 Technical data	57
7.2 Accessories	68

8	Appendix	71
8.1	ASCII table	71
8.2	Opening/closing ID7-Sys weighing terminal.....	72
8.3	Configuring Pin 5 on RS232-ID7 interface.....	73
8.4	Reconfiguring RS422-ID7 interface / RS485-ID7 interface	73
8.5	Setting operating mode with CL20mA-ID7 interface	74
8.6	Drilling template for wall mounting	75
9	Index.....	77

1 Introduction and commissioning

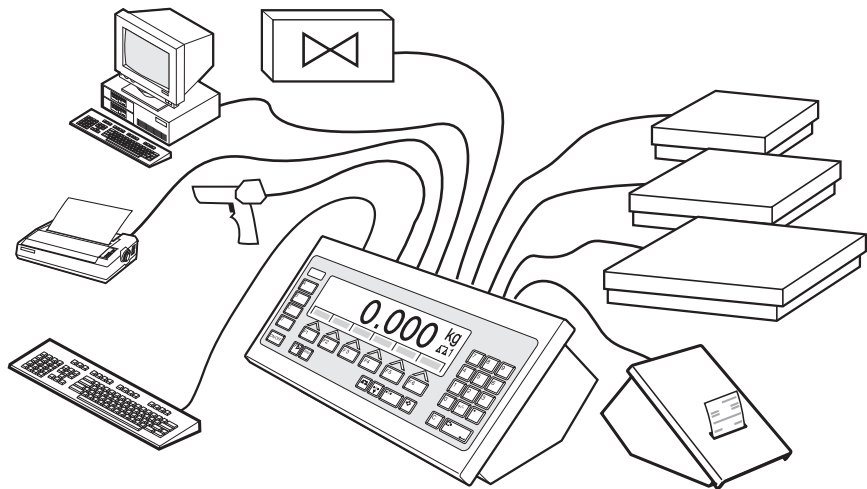
1.1 Safety precautions



- ▲ Never operate the ID7-Sys weighing terminal in hazardous areas; there are special scales in our product line for this purpose.
- ▲ Make sure that the electrical outlet for the ID7-Sys weighing terminal is grounded and easily accessible so that it can be isolated quickly in emergencies.
- ▲ Make sure that the mains voltage at the installation location is within the range from 100 V to 240 V.
- ▲ The safety of the unit is endangered if it is not operated in accordance with these operating instructions.
- ▲ Only authorized personnel may open the ID7-Sys weighing terminal.

1.2 Applications

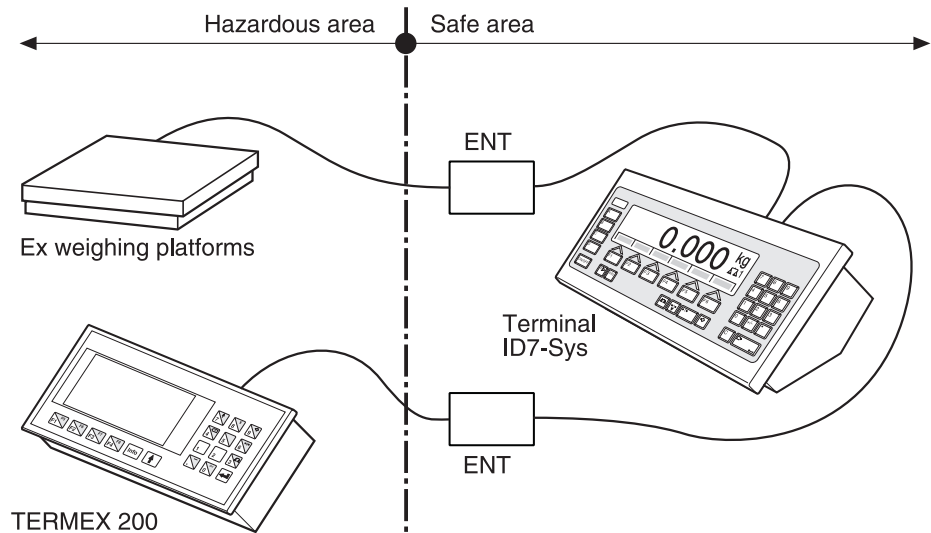
With the ID7-Sys weighing terminal the following applications are possible:



- Multi-scale operation with up to 3 weighing platforms, including weighing platforms with an analog signal output.
- Up to 6 data interfaces
 - for printing,
 - for data exchange with a computer,
 - for connecting a barcode reader,
 - for control, e.g. of valves or flaps.
- Comfortable alphanumeric entry via an external keypad.

1.3 Use with the TermEx200 operating and display device

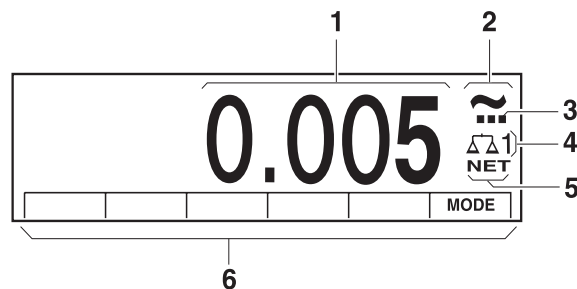
A weighing system for Ex Zone 1 can be built using the ID7-Sys and the TermEx200 explosion-protected operating and display device.



Please contact METTLER TOLEDO Service concerning the installation of such a weighing system.

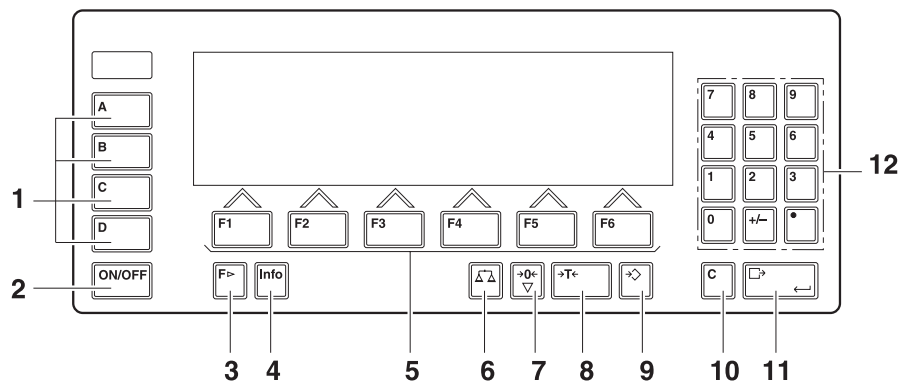
1.4 ID7-Sys weighing terminal

1.4.1 Display



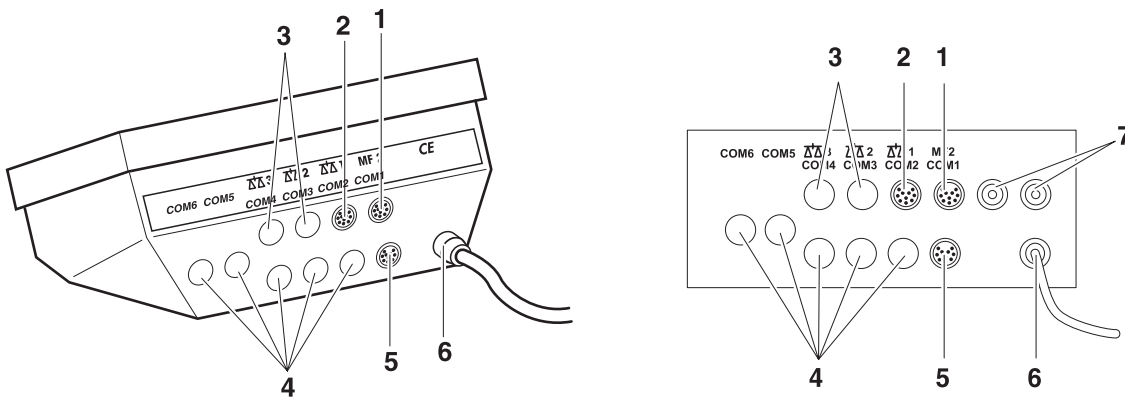
- 1 Weight display BIG WEIGHT® with sign and decimal point
- 2 Stability monitor: lights up until the weighing platform has levelled out, then the weight unit appears here
- 3 Range display for multi-range weighing platforms
- 4 Number of the weighing platform: shows the weighing platform just selected
- 5 NET symbol for marking net weight values
- 6 Assignment of the function keys

1.4.2 Keypad



- 1** CODE A ... CODE D keys – enter identification data
- 2** ON/OFF – On/Off key
- 3** FUNCTION CHANGE key – display additional functions when entering weight values: switch over unit
- 4** INFO key – recall memory contents and system information
- 5** Function keys F1 ... F6 – the current assignment is shown in the display above the key
- 6** SCALE key – select scale
- 7** ZERO-SET key – set scale to zero, test scale
- 8** TARA key – tare scale
- 9** TARE SPECIFICATION key – enter known tare values numerically
- 10** CLEAR key – clear entries and values
- 11** ENTER key – accept and transfer data
- 12** Numeric keypad with decimal point and signs

1.4.3 Connections



- 1 Connection for the external MFII keypad
- 2 Connection for weighing platform 1
- 3 Optional connections for weighing platform 2 and 3
- 4 5 optional interface connections
- 5 Standard RS232 interface
- 6 Power supply
- 7 Optional connections for the Profibus

Possible assignments for serial interfaces (with software)

Interface	COM1	COM2	COM3	COM4	COM5	COM6
CL20mA-ID7	–	X	X	X	X	X
RS232-ID7	X	X	X	X	X	X
RS422-ID7	–	–	–	–	X	X
RS485-ID7	–	–	–	–	X	X
RS485-ID7 with relay box 8-ID7	–	–	–	–	X	X
4 I/O-ID7	–	–	–	–	X	X
Analog Output-ID7	–	–	–	–	X	X
Alibi Memory-ID7	–	X	X	X	X	X
Ethernet-ID7	–	X	X	X	X	X
Profibus-DP-ID7	–	X	X	X	X	X

Note

- COM1 is permanently equipped with the serial interface RS232-ID7 as standard.
- Only one Alibi Memory ID7 can be installed. It has no additional external connection, and internally it occupies the space of a data port COM2 ... COM6. Alibi Memory ID7 is installed as COM4 at the factory.
- With ID7-Sys wall or panel units there are no restrictions by hardware on combinations of interfaces.

A maximum of 4 cards Analog Scale-ID7, Ethernet-ID7, Profibus-DP-ID7 or Alibi Memory-ID7 can be installed in the ID7-Sys desk unit. The following combinations are possible:

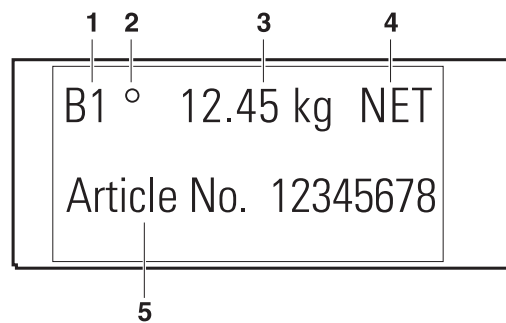
Analog Scale-ID7	Ethernet-ID7	Profibus-DP-ID7	Alibi Memory-ID7
2	1	1	–
1	1	1	1

**CAUTION**

- Cover unused connection sockets with protective caps to protect the socket contacts from moisture and dirt.

1.5 TermEx200 operating and display device

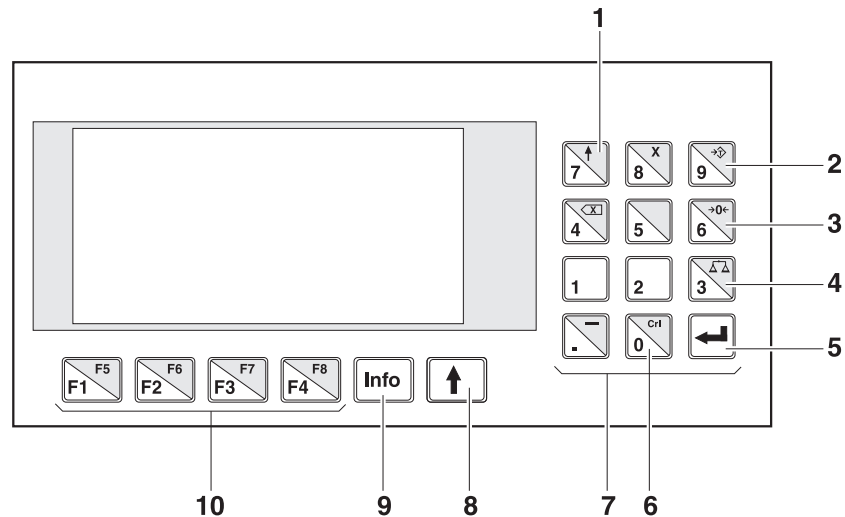
1.5.1 Display



- 1** Weighing platform number: displays the currently selected weighing platform
- 2** Standstill check: illuminates until the weighing terminal has settled, display of the weight unit follows
- 3** Weight display with sign and decimal point
- 4** NET symbol for the notation of the net weight
- 5** Info line

1.5.2 Keypad

Most keys have a double function. To call up the functions labelled in the upper half in small letters, press and hold the SHIFT key.



- 1 In combination with the SHIFT KEY: The CHANGE FUNCTION key / cancels input
- 2 In combination with the SHIFT KEY: TARE key – tares scale
- 3 In combination with the SHIFT KEY: SET TO ZERO key – zeros scale
- 4 In combination with the SHIFT KEY: SCALE key – selects scale
- 5 In combination with the SHIFT KEY: Accepts and transfers input
- 6 In combination with the SHIFT KEY: CLEAR key – clears input and values
- 7 Numeric keypad with decimal point and sign
- 8 SHIFT KEY – activates the second function of the key
- 9 INFO key – shows the current function of the function key in the display
- 10 Function keys F1 to F8

1.6 Commissioning

1.6.1 Commissioning the TermEx200 operating and display device



EXPLOSION HAZARD

The explosion-protected TermEx200 operating and display device may be installed by METTLER TOLEDO Service only.

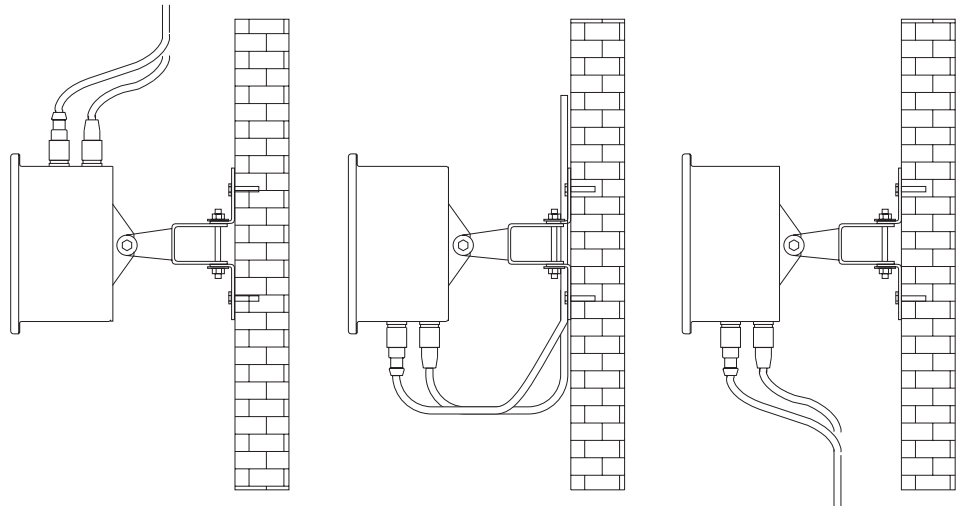
→ Please contact METTLER TOLEDO Service concerning the installation of an explosion-protected weighing system for Ex Zone 1.

1.6.2 Mount ID7-Sys on the wall

The ID7-Sys weighing terminal and wall bracket are one unit.

The mounting materials for wall mounting are included in the scope of delivery.

Mounting possibilities



Note

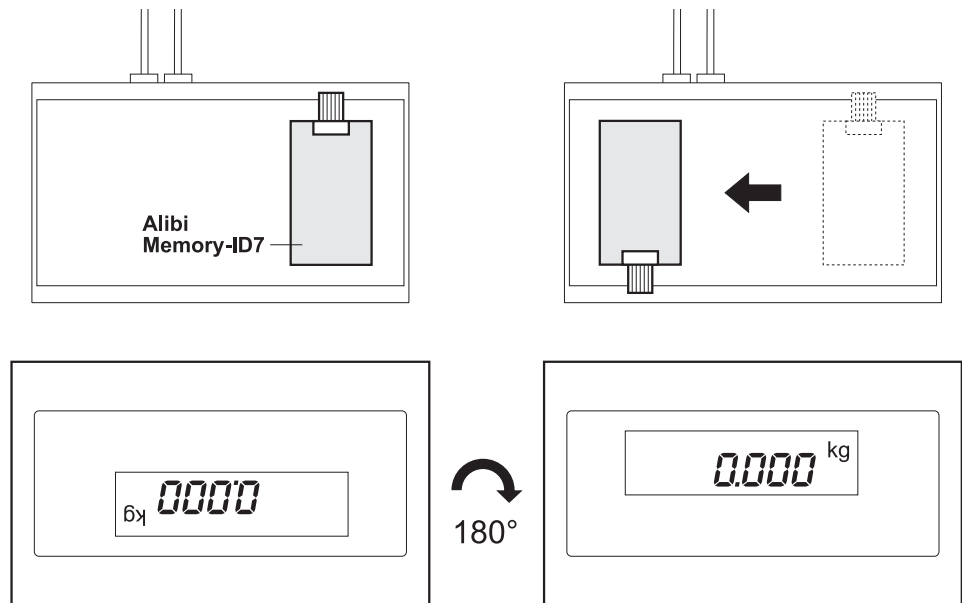
If one or more Analog Scale ID7, Alibi Memory ID7, Ethernet ID7 or Profibus DP-ID7 interfaces are installed, we recommend securing with cable entry from above.

Procedure

1. Drill securing holes and fit plugs in accordance with the drilling template in the Appendix.
2. Secure the weighing terminal with the screws provided.

With cable entry from above

3. Unscrew the screws on the underside of the cover and set down the cover toward the front.
4. Disconnect the display and keyboard cable.
5. Remove the cover and turn it by 180°.



6. If an Alibi Memory-ID7 is installed, remount the Alibi Memory-ID7 PCB on the mounting plate. To do this
 - remove the PCB from the mounting plate by unscrewing a screw,
 - pull the plug off the PCB,
 - mount the PCB in the left-hand position with a screw,
 - fold up the mounting plate and route the cable upward on the lower housing wall,
 - connect the cable on the PCB
7. Reconnect the display and keyboard cable.
8. Screw on the cover again.

1.6.3 Mount ID7-Sys in the control cabinet

The mounting materials and a drilling template are included in the scope of delivery.



CAUTION

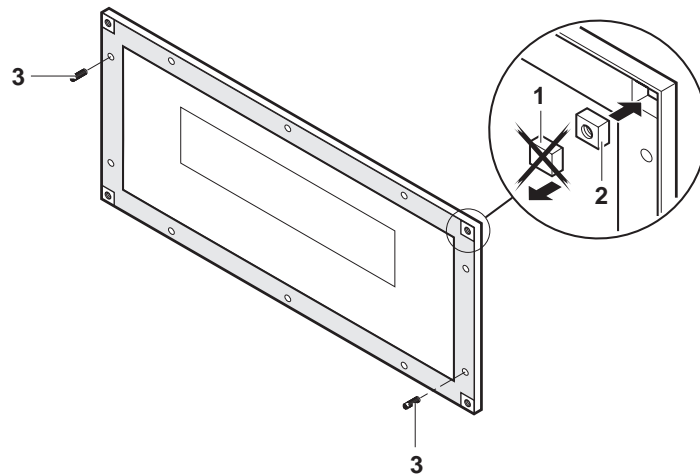
→ Always disconnect the mains plug before beginning work.

Producing cut-out on switch cabinet

1. Tape the drilling template onto the inside of the switch cabinet and mark the holes with a punch.
2. Drill holes with the specified diameter.
3. Saw out the cut-out for the cover exactly with the sabre saw, as otherwise protection type IP67 will no longer be ensured.
4. Remove the drilling template from the switch cabinet again.

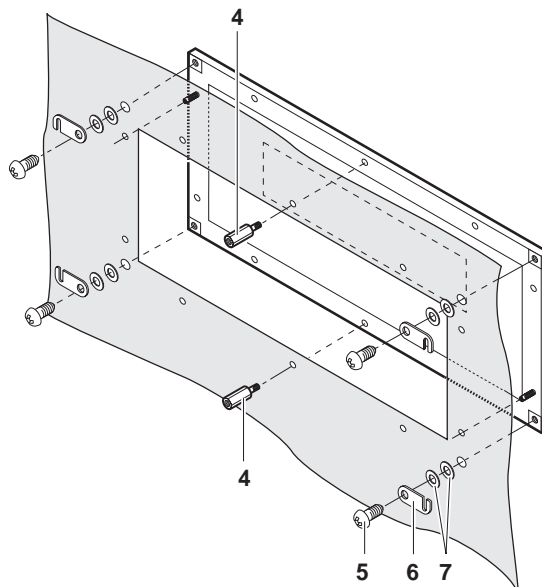
Preparing cover

1. Unscrew all screws on the cover of the ID7-Sys and remove the cover toward the front.
2. Fold open the mounting plate and disconnect the keyboard and display cable on the ID7 PCB.



3. Take out the cover seal and cut out the perforated corners of the cover seal (1) with a sharp knife.
4. Insert the square nuts (2) with the rounded side facing downward.
5. Screw the two setscrews (3) into the holes in the cover as shown.

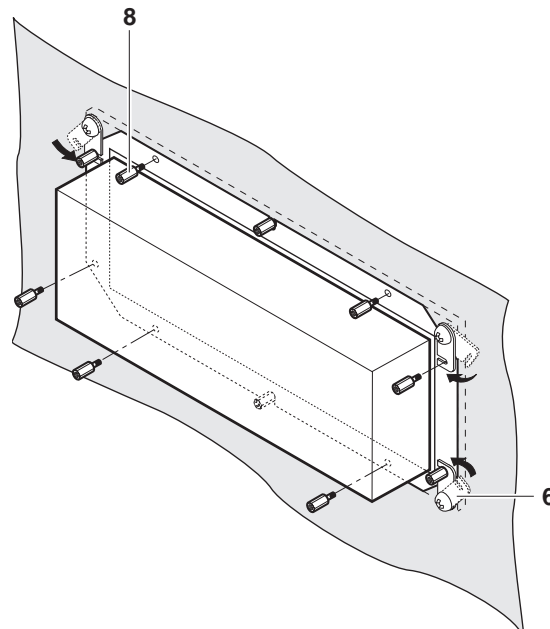
Mounting cover on switch cabinet



1. Position the cover on the switch cabinet door from the front with the setscrews.
2. Secure the cover with the two centre screws (4) from the inside.
3. Fix the housing claws (6) with the large screws (5) and the washers (7) in all corners. Do not tighten the screws yet!

Mounting lower housing section

1. Reconnect the display and keyboard cable on the ID7 PCB.



2. Position the lower housing section on the cut-out and secure it with the housing claws (6).
3. Secure the device with 8 screws (8) on the cut-out and tighten all screws.

1.6.4 Connect weighing platforms of the series D, F, K, N, Spider ID and AWU3/6

1. Set up weighing platform, see installation instructions of weighing platform.
2. Route weighing platform cable to weighing terminal.
3. Plug in weighing platform connector on weighing terminal.

1.6.5 Connect scales of the series B, G, R and DigiTOL

Precision scales of the **series B, G and R** can be connected to the ID7-Sys weighing terminal with the LC-IDNet B or LC-IDNet R/G connection set.

To connect **DigiTOL** scales, the GD17 connection set is required.

1. Set up scale, see operating instructions of scale.
2. Connect appropriate connection set to scale.
3. Route cable of connection set to weighing terminal and plug in.

1.6.6 Connect weighing platform with analog signal output

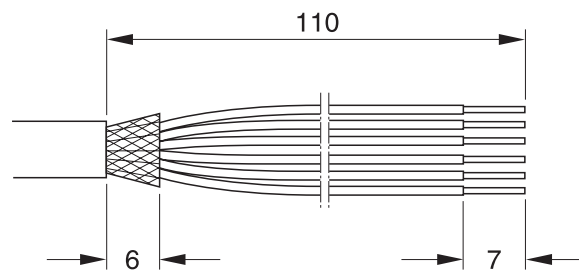


CAUTION

→ Disconnect mains plug before beginning work.

1. Set up weighing platform, see installation instructions of weighing platform.
2. Route weighing platform cable to weighing terminal.
3. Open ID7-Sys, see section 8.2.
4. Remove locking pin of lead sealing sleeve for weighing platform connection and remove PG screw gland for weighing platform connection.
5. Pull test cable off PCB of Analog Scale ID7.

Prepare weighing-platform connection cable



1. Strip off approx. 110 mm of insulation at cable ends and shorten cable shielding to 6 mm.
2. Strip off approx. 7 mm of insulation and core ends and twist.
3. Push on wire end ferrule and crimp on with a crimping tool. Cable ends may not extend beyond wire end ferrules when doing so.

Connect screw cable gland to weighing platform cable

CE conformity

For longer connection cables, screening measures against absorbed and emitted radiation of interference are particularly important.

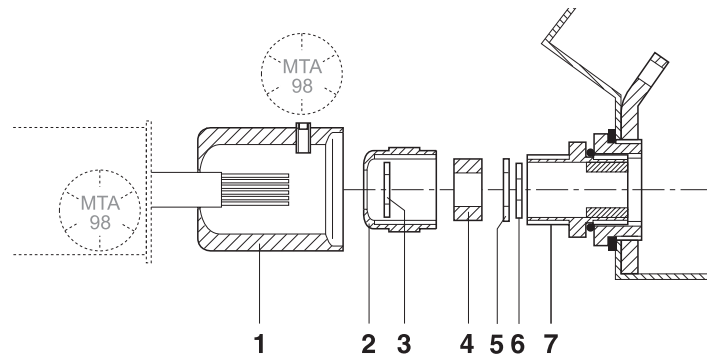
The required interference immunity classes are only achieved when all connected peripheral devices, weighing platforms and weighing cells are installed and wired carefully. To do this the screening must be properly connected at both ends.

The CE conformity of the entire system is the responsibility of the person(s) commissioning the system.

Certified weighing platforms

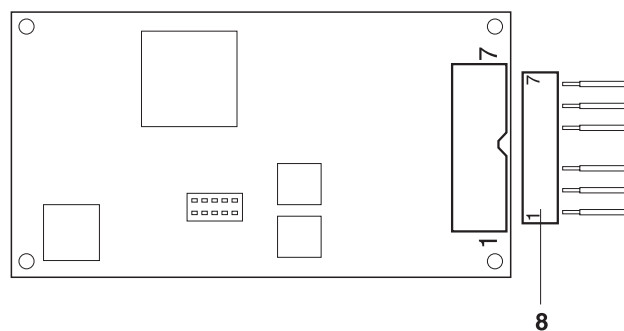
Certified weighing platforms require the ID card, which must be mounted over the connection cable prior to connection to the weighing terminal. In addition, the PCB Analog Scale-ID7 must be lead-sealed.

Please contact METTLER TOLEDO Service for marking and calibration of your weighing system.



1. Push lead sealing sleeve (1), union nut (2), washer (3), molded seal (4) and contact washer with large hole (5) over cable sheath. If screen braiding wires are loosened in the process, these must not contact any electrically conductive system parts.
2. Unbraid exposed screen.
3. Push molded seal (4) and contact washer (5) up to edge of cable sheath and connect screen.
4. Push contact washer with small hole (6) over cores so that screen is positioned between two contact washers.
5. If screen cores are longer than diameter of contact washers, shorten screen cores to diameter of contact washers.
6. Guide molded seal with cable into anti-twist element of metal housing (7).
7. Screw union nut onto metal housing, but do not tighten yet.

Connect cable



1. Pull plug (8) off analog board and connect cores of weighing platform cable to plug as follows::

Pin	Assignment	Color for METTLER TOLEDO analog weighing platforms		
		several weighing cells D...-T, N...-T, RWM, SPIDER large	one weighing cell DB...-T, DCC...-T, HBM cell	SPIDER small, TEDEA cell
1	+ EXC	gray	blue	green
2	+ SEN	yellow	green	blue
3	+ SIG	white	white	red
4	–	–	–	–
5	– SIG	brown	red	white
6	– SEN	green	gray	brown
7	– EXC	blue	black	black

Note

- If the cable of the weighing platform to be connected has only 4 cores, connect the following terminal pairs with a wire jumper:
 - Terminal 1 and 2 (+ EXC and + SEN)
 - Terminal 6 and 7 (– SEN and – EXC)
- 2. Push in plug on analog board and tighten PG screw gland.
- 3. Push in cable on socket board and analog board.
- 4. Push on lead sealing sleeve and secure with locking pin. It must be possible to slightly rotate lead sealing sleeve.
- 5. Close terminal, see section 8.2.

1.6.7 Commissioning with several weighing platforms

- To start up the ID7-Sys weighing terminal with several weighing platforms, please contact METTLER TOLEDO Service.

1.6.8 Connecting Profibus-DP

CE conformity

With longer connection cables, shielding measures against radiation and irradiation of interference are particularly important.

The required interference immunity classes will only be achieved with careful installation and wiring of all connected peripherals, weighing platforms and weighing cells. For this purpose the shielding must be connected properly on both ends.

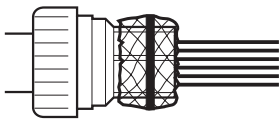
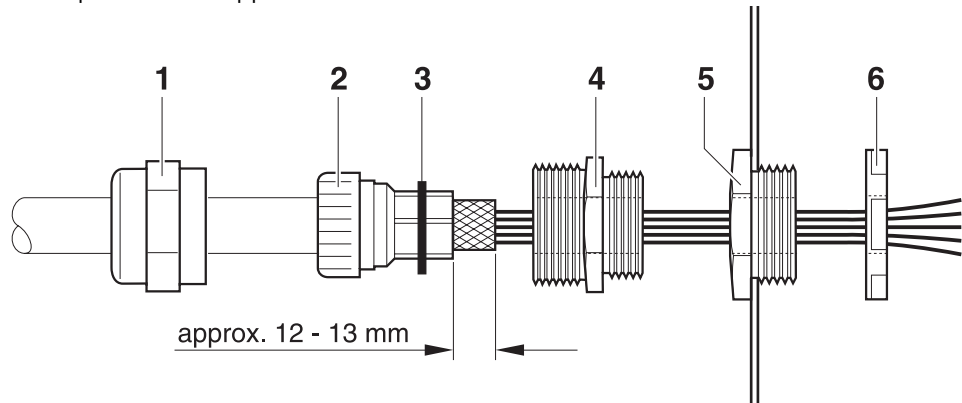
The CE conformity of the entire system is the responsibility of the person commissioning the device.

Cable specification

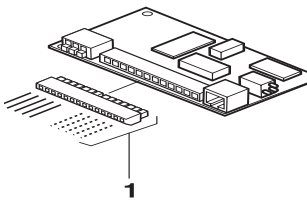
Only use special bus cables with shielding and with a diameter ≥ 7 mm. Recommended wire cross-section ≥ 0.34 mm².

Connecting Profibus cable to screw cable fitting

1. Strip cable ends sufficiently long (depending on slot up to 250 mm) and shorten the cable shield to 12 to 13 mm.
2. Strip core ends approx. 7 mm and twist.



3. Push pressure nut (1) and sealing insert (2) onto cable.
4. Bend over exposed screen and place over O-ring (3).
5. Push sealing insert up to screen.
6. Remove blind plugs from desired port connection; remove another blind plug for further routing of Profibus-DP if necessary.
7. Mount reducing ring (5) with sealing nut (6) on housing.
8. Screw lower section of PG screw gland (4) into reducing ring.
9. Guide cable into housing.
10. Insert sealing insert into lower section until flush.
11. Screw pressure nut to lower section. The cable gland must be tightened so that a strain relief ≥ 100 N is ensured.

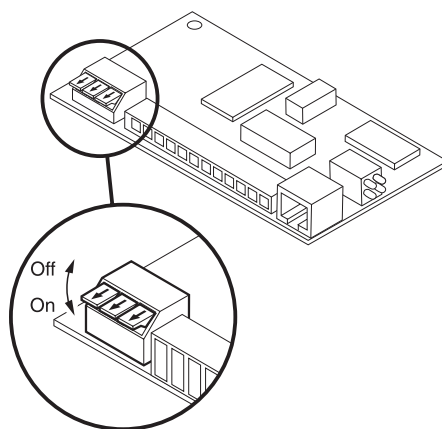


Connecting Profibus cable

→ Pull the Mini-Combicon terminal strip (1) off the Profibus card and connect the Profibus cable to the terminal strip in accordance with the following table:

Terminal	Assignment	Note
1	Repeater controller RTS	5-V request-to-send (RTS) signal
2	Data Ground	Reference potential for RS485 level
3	Output data signal B	Positive RS485 signal level, to next node
4	+5 V, insulated	5-V supply, e.g. for optical waveguide adapter
5	Output data signal A	Negative RS485 signal level, to next node
6	–	–
7	–	–
8	Input data signal B	Positive RS485 signal level, from last node
9	Repeater controller RTS	5-V request-to-send (RTS) signal
10	+5 V, insulated	5-V supply, e.g. for optical waveguide adapter
11	Data Ground	Reference potential for RS485 level
12	Input data signal A	Negative RS485 signal level, from last node

Setting matching resistor



→ If necessary, activate the matching resistor directly on the Profibus-DP-ID7 interface. To do this, set all dip switches to ON.

Diagnostic LEDs

The 4 diagnostic LEDs on the ID7-Sys interface output the following states:

Yellow LED	Operating voltage switched on
Green LED	Profibus data cycles started
Red LED	Communication dialog faulty
Green LED	Sign of activity in secondary cycle

Grounding

The ID7... weighing terminal must be installed non-isolated. For this purpose an bonding terminal is included in the delivery scope of the ID7... .

1. Mount the bonding terminal on the COM1 socket.
2. Connect the ID7... to the earth potential via the bonding terminal.
3. Connect all other devices participating on the Profibus-DP to the earth potential.

1.6.9 Connect ID7-Sys to network**CAUTION**

The ID7-Sys weighing terminal only functions properly with mains voltages of 100 V to 240 V.

- Make sure that the mains voltage at the installation location lies within this range.
- Make sure that the mains outlet is grounded and easily accessible.

Connecting

- Plug mains plug of ID7-Sys into a mains outlet.
In the factory setting the display briefly shows METTLER TOLEDO ID7-Sys and the versions of the installed components; then the weight display appears.

Note

A description of the version code for the ID7-Sys is to be found in Section 2.6.

1.6.10 Marking and sealing of certified weighing platforms

ID code With the ID code it can be checked whether certified weighing platforms have been tampered with since the last certification. The ID code can be displayed on the terminal at any time, see section 3.9.

During certification the currently displayed ID code is recorded and sealed.

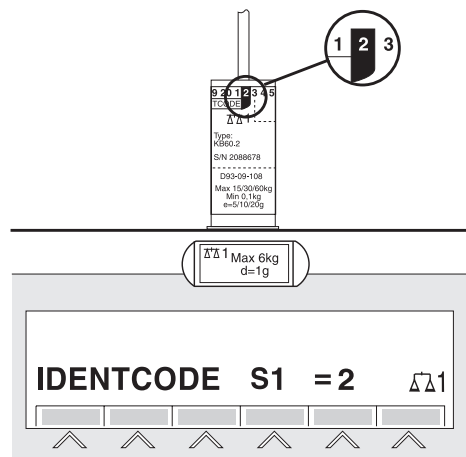
During each change to the configuration the displayed ID code increases. It then no longer matches the sealed ID code; the certification is no longer valid.

Certification To mark and certify your weighing system, please contact METTLER TOLEDO Service or your local board of weights and measures.

Check certification

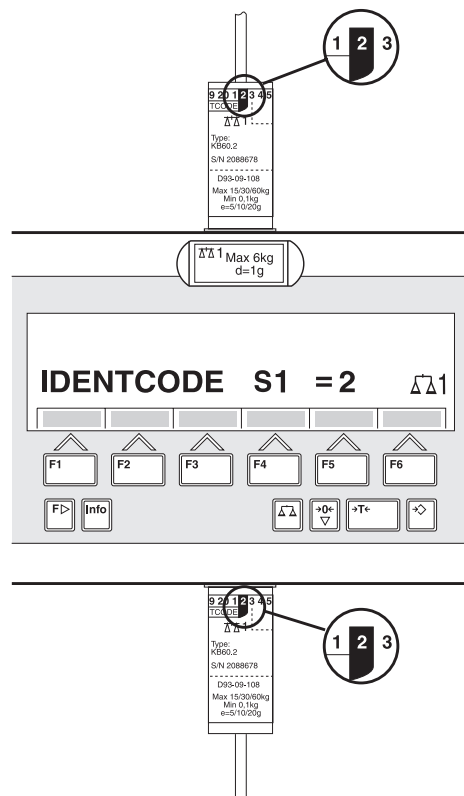
1. Display ID code, see section 3.9; press ZERO-SET key until IDENTCODE = ... is displayed.
No value is shown for noncertified weighing platforms, but instead:
IDENTCODE ====.
2. Compare ID code displayed with sealed ID code on ID card.
The certification of the weighing system is only valid when both values are identical.

ID7-Desk

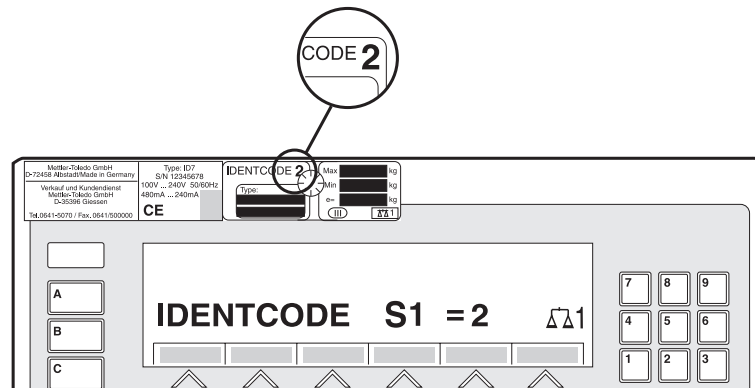


ID7-Wall

Depending on the type of cable connection, the ID card is mounted either above or below.



ID7-Panel



3. Press ZERO-SET key again.
The connected weighing platform is checked. The display shows CHECK SCALE and after the test is completed SCALE IS OK.
Then the ID7-Sys automatically returns to normal operation.

1.7 Cleaning



DANGER OF SHOCK

- Do not open ID7-Sys weighing terminal to clean.

CAUTION

- Make sure that unused connection sockets are covered with protective caps to protect the socket contacts from moisture and dirt.
- Do not use high-pressure cleaners.

Cleaning

- Wipe off ID7-Sys weighing terminal with a commercially available glass or plastic cleaner.

2 Basic functions

2.1 Switching on and off

Switch on from the standby mode

→ Press ON/OFF key.

The display shows a weight value based on the last tare value and zero point.

Switch on with restart

1. Relieve weighing platform.
2. Press ON/OFF key and hold down until METTLER TOLEDO ID7-Sys appears in display.
Then weight value appears.

The weighing platform is restarted.

Switch off

→ Press ON/OFF key.

The display goes out and the ID7-Sys weighing terminal is in the standby mode.
The zero point and tare value remain saved.

2.2 Setting to zero

Setting to zero corrects the influence of minor dirt on the load plate.

In the case of excessive dirt which cannot be compensated by setting to zero, the display shows OUT OF RANGE.

Manual zero set

1. Relieve weighing platform.
2. Press ZERO-SET key.
The display shows 0.000 kg.

Automatic zero set

On certified weighing platforms the zero point of the weighing platform is automatically corrected when the weighing platform is relieved.

The automatic zero set can be switched off in the master mode on noncertified weighing platforms.

2.3 Taring

2.3.1 Manual taring

1. Place empty container on scale.
2. Press TARE key.
The tare weight is saved and the weight display set to zero.
The display shows the NET symbol.

Notes

- When the weighing platform is relieved, the saved tare weight is displayed with a negative sign.
- The weighing platform only saves **one** tare value.

2.3.2 Specify tare weight

Note

This function is only available when ordered expressly.

Enter numerically

1. Press TARE SPECIFICATION key.
2. Enter tare weight (container weight) and confirm with ENTER.
When weighing platform is relieved, the entered tare weight is displayed with a negative sign.

Correct entry → Clear the entry character by character with the CLEAR key and repeat correctly.

2.3.3 Recall currently saved tare weight

The saved tare weight can be recalled at any time.

- Enter INFO, TARE SPECIFICATION key sequence.
The saved tare weight is displayed.

2.3.4 Clear tare weight

→ Relieve weighing platform and tare.

– or –

→ Press CLEAR key.

2.4 Weighing

Weighing without taring

- Lay weighing sample on weighing platform.
Gross weight (total weight) is displayed.

Weighing with taring

1. Place the empty container on the weighing platform and tare.
2. Pour in weighing sample.
The display shows the net weight and the NET symbol.

Weighing with tare specification

1. Place filled container on weighing platform.
The display shows the gross weight (total weight).
2. Specify tare weight.
The display shows the net weight (container content) and the NET symbol.

Note

If a **multi-range weighing platform** is chosen, a display for the currently active range appears above the scale symbol.

2.5 Switching over weighing platform

Up to 3 weighing platforms can be connected to the ID7-Sys.
The weighing platform currently selected is shown on the terminal.

- Press SCALE key.
The next weighing platform is selected.

2.6 Displaying versions

When connected to a power supply (see Section 1.6) and when restarted (see Section 2.1), the versions of the ID7-Sys and the installed components are displayed.

Version code for the ID7-Sys with customer-specific application program

```
METTLER-TOLEDO ID7-Sys
IP71-0-0 105
CC-AA-XXXXXXXX-VV-DD.MM.YYYY
```

CC	Country code, e.g. DE = Germany
AA	Software type, e.g. 00 = Base
XXXXXXXXXX	Order No.
VV	Software version
DD.MM.YYYY	Date of manufacture, day.month.year

Note

Only the third line with version code information is displayed in the TermEx200 operating and display device.

3 Additional functions

The assignment of the 6 function keys of the ID7-Sys weighing terminal differs depending on the weighing task. The current assignment is shown above the function keys.

With the FUNCTION CHANGE key it is possible to switch over to other function key assignments.

Independent of the application software, the ID7-Sys has the following additional functions:

					MODE
					Activate master mode, see Chapter 4

3.1 Displaying ID code and testing weighing platform

Each time the weighing platform configuration is changed the ID code counter is increased by 1. On certified weighing platforms the displayed ID code must match the ID code on the ID code sticker, otherwise the calibration is no longer valid.

Display ID code

→ Press ZERO-SET key and hold until IDENTCODE = ... appears in the display and press again.

Test weighing platform

→ Press ZERO-SET key again.

The connected weighing platform is checked. The display shows CHECK SCALE and then SCALE IS OK after completing the test.

Note

If weighing platform is defective, display shows SCALE ERROR.

3.2 Recalling information

On the ID7-Sys weighing terminal memory contents and system information can be recalled.

1. Press INFO key.

Then the following function key assignment appears:

DATE	TARE		ALIBI	END	VERS
Display date and time	Display tare weight		Recall content of alibi memory, see section 3.4. This selection only appears when Alibi Memory-ID7 is installed.	End	Display version numbers of installed software modules, see section 2.6

2. Select desired information.

The information is displayed for approx. 5 seconds, then the ID7-Sys changes to the weighing mode again.

Note

When several values are displayed, the ID7-Sys automatically changes to the next value after approx. 5 seconds.

3.3 Working with external keypad

In addition to the alpha and numerical keys, the following additional scale functions can also be operated with the external AK-MFII keypad.

Function for ID7-Sys	External keypad	Function for ID7-Sys	External keypad
Function key F1	F1	CODE A key	Shift F1
Function key F2	F2	CODE B key	Shift F2
Function key F3	F3	CODE C key	Shift F3
Function key F4	F4	CODE D key	Shift F4
Function key F5	F5		
Function key F6	F6		
FUNCTION CHANGE key	F7		
INFO key	F8		
SCALE key	F9	SCALE key	Shift F9
ZERO-SET key	F10	ZERO-SET key	Shift F10
TARE key	F11	TARE key	Shift F11
TARE SPECIFICATION key	F12	TARE SPECIFICATION key	Shift F12

Note

The language of your external keyboard can be set in the master mode block LAYOUT EXT. KEYBOARD, see page 33.

3.4 Recalling data from Alibi memory

With the Alibi Memory-ID7 memory module you can fulfill your recording obligations in certified operation without having to archive paper.

Alibi Memory ID7 automatically assigns each weighing with consecutive data record number which also appears on the print-out, saves the net and tare value, the date and time.

The Alibi Memory-ID7 operates according to the principle of a ring memory: When the capacity limit of 580,159 data records is reached, the oldest data record is deleted and overwritten with data from the latest weighing.

By entering suitable search criteria you can quickly access the data of a very specific weighing.

3.4.1 Initiate

→ Press INFO, ALIBI key sequence.

The function keys change to the following assignment:

FIND	>>...	<	>	-> Num	END
Enter search criteria	Search for next matching data record starting with oldest	Display data record of weighing carried out directly beforehand	Display directly following weighing	Search for data record with known data record number	Exit Info Alibi and return to normal mode

3.4.2 Fast search with entry of data record number

1. Press ->Num key.
2. Enter number of data record to be searched for and confirm with ENTER.
Alibi Memory ID7 now searches for the desired data record.

Notes

- The search may take up to 10 seconds.
- If no data record with the entered number is found, the message NO MATCHING DATA RECORD appears.

3.4.3 Search with other search criteria

→ Press FIND key.

The function keys are given the following assignment:

DATE	TIME	NET	TARE	START	END
Enter date as search criterion	Enter time as search criterion	Enter net value as search criterion	Enter tare value as search criterion	Start search with entered search criteria	End search

All offered search criteria can be combined with each other.
The entered search criteria are shown in the display in clear text.
This enables you to search for a find a specific weighing.

Enter date

→ Press DATE key and enter complete date in DD.MM.YY form.

Enter time

→ Press TIME key and enter desired time in one of following formats.

Format HH all weighings between HH.00.00 and HH.59.59 are found

Format HH.MM all weighings between HH.MM.00 and HH.MM.59 are found

Format HH.MM.SS only the weighing at the time HH.MM.SS is found

Enter net/tare value

1. Press NET or TARE key.
2. Enter weight value and confirm with ENTER.
The function key assignment changes back again for selection of the search criteria.

Note

With the FUNCTION CHANGE key you can select the weight unit for entering the weight values.

Start search

→ Press START key.

Alibi Memory-ID7 searches for the oldest data record which meets the entered search criteria.

Notes

- The search may take up to 10 seconds.
- If no data record with the entered values is found, the message NO MATCHING DATE RECORD appears.
- If no search criterion has been entered, the oldest data record is displayed.

3.4.4 Display data records

The data records found are shown in the display:

Example DATE: 02.04.98 TIME: 09.25.51
 NUM: 000987
 NET: 25.000 KG
 TARE: 100.346 KG PT

Scroll With the keys >>..., < and > you can scroll within the data records found.

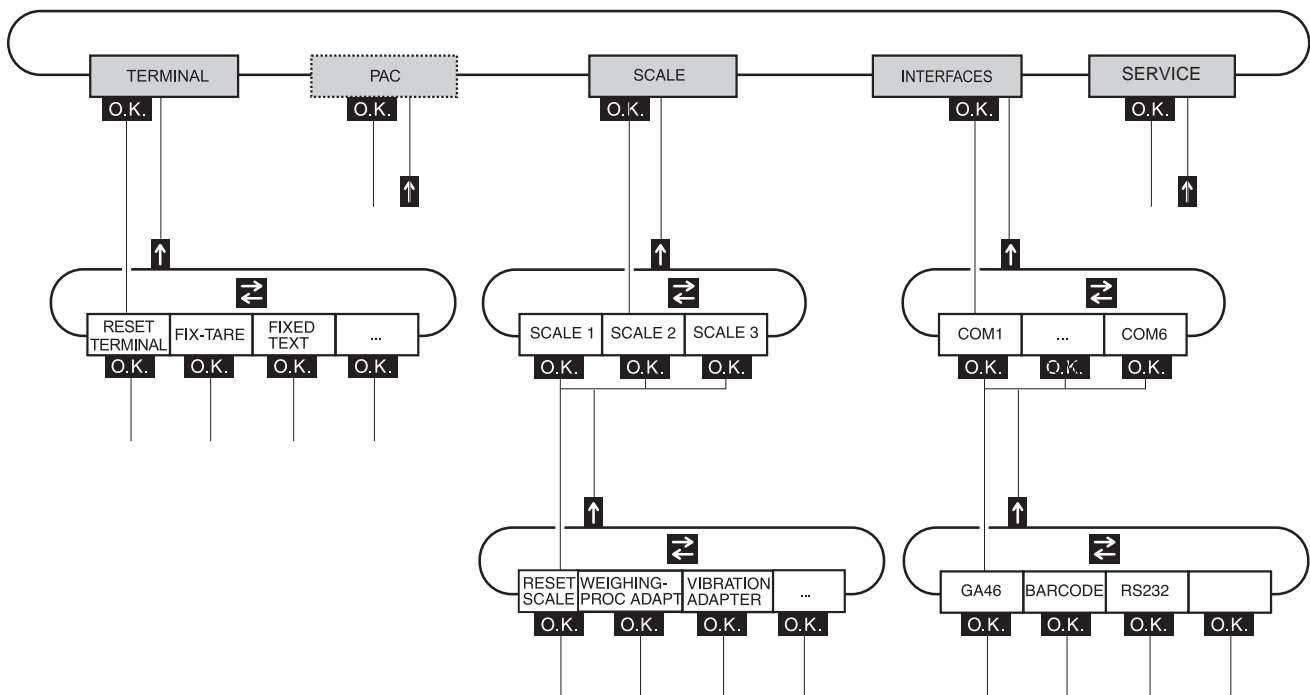
Notes

- If during scrolling with the >>... key all entries of the Alibi Memory-ID7 have been searched, the message END OF FILE appears.
- If during scrolling with the keys < and > the file end is reached, the display begins again at the first or last data record.

4 Settings in the master mode

4.1 Overview of the master mode

In the master mode you adapt the ID7-Sys weighing terminal to meet your needs. Depending on the configuration, the master mode is divided into 4 or 5 master mode blocks, which are in turn divided into further blocks.



TERMINAL For system settings, such as entering the date and time or loading permanent texts, see section 4.3.2.

PAC To set application-specific parameters, see section.

SCALE To select one of the connected weighing platforms. For each selected weighing platform the parameters are then set which concern the weight value, e. g. stability detector, unit, etc., see section 4.4.

INTERFACES To select an interface. The communication parameters are then set for each interface, see section 4.5.

SERVICE For configuring the weighing platform(s). On IDNet weighing platforms only for METTLER TOLEDO service technicians. On weighing platforms with an analog signal output, see section 4.6.

4.2 Operating the master mode

4.2.1 Enter the master mode

1. Press MODE key.
If the current function key assignment does not contain MODE, change to the assignment with MODE by repeatedly pressing the FUNCTION CHANGE key.
2. Enter personal code if configured.
The display shows the first master mode block TERMINAL.

4.2.2 Assignment of function keys in the master mode

In the master mode the function keys are assigned as follows:

←	→	OK	↑	END	OK
Change to previous block within a level	Change to next block within a level	Recall lower-level block or confirm selection	Exit level and return to higher-level block	Exit the master mode and return to normal mode	Recall lower-level block or confirm selection

→ Select the function by pressing the function key.

Example → Press the END key to exit the master mode and return to the normal mode.

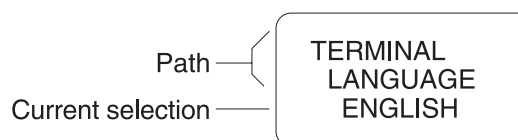
When the function keys are otherwise allocated

→ Press the key FUNCTION CHANGE until the function keys allocation displayed above appears.

4.2.3 Orientation in the master mode

For improved orientation the display shows the last steps in the path of the current master mode block.

Example The upper 3 lines of the display show the following path for selecting the LANGUAGE:



4.2.4 Entries in the master mode

The following basic rules apply to entries made in the master mode:

- Confirm (alpha)numeric entries with ENTER.
- Alphanumeric entries with the ID7-Sys: see next section.
- To accept the displayed value: Press ENTER key.

4.2.5 Alphanumeric entry

If an alphanumeric entry is possible, the function keys are given the following assignment:

A–E	F–J	K–O	P–T	U–Y	Z–
Selection of a letter A to E	Selection of a letter F to J	Selection of a letter K to O	Selection of a letter P to T	Selection of a letter U to Y	Selection of the letter Z and special characters

1. Select desired letter group, e. g. press K–O key.
2. Select desired letter.
The display changes back to the above selection.
3. Repeat steps 1 and 2 for additional characters of the entry.

Note

Letters and numbers can be combined as desired.

4.2.6 Emergency entrance into the master mode

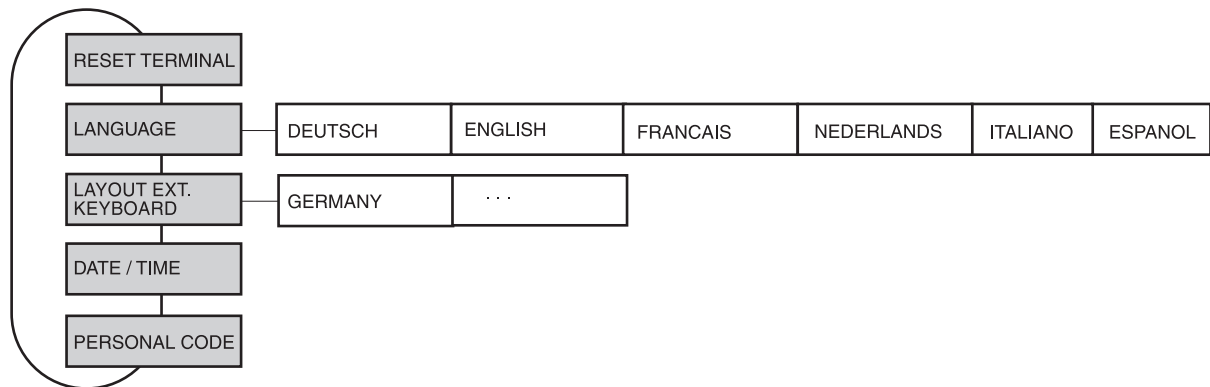
If a personal code has been assigned for entering the master mode and you have forgotten your code, you can still enter the master mode:

- Enter the character sequence C, L, E, A, R as your personal code.

4.3 TERMINAL master mode block

4.3.1 Overview of the TERMINAL master mode block

In the TERMINAL master mode block you enter the following system settings:



- Legend**
- Blocks highlighted in **grey** are described in detail in the following.
 - Factory settings are printed in **bold print**.

4.3.2 Settings in the TERMINAL master mode block

RESET TERMINAL	Reset all terminal functions to the factory setting
	<ul style="list-style-type: none"> • Resets the password MINIMUM to the factory setting: 2234 • LANGUAGE german • LAYOUT EXT. KEYBOARD Germany

LANGUAGE	Select dialog language
	Possible settings: German, English

LAYOUT EXT. KEYBOARD	Select keyboard layout of connected external keyboard
	Possible setting: Germany, England, France, Holland, Italy, Spain, Finland, US international ...

DATE / TIME	Enter date and time
	<ul style="list-style-type: none"> • Enter DATE in European notation: Day.Month.Year. • Enter TIME in European notation: (24) Hours.Minutes.Seconds.
Comments	<ul style="list-style-type: none"> • Enter single-place numbers with a preceding zero. • The clock continues to run after the terminal is switched off.

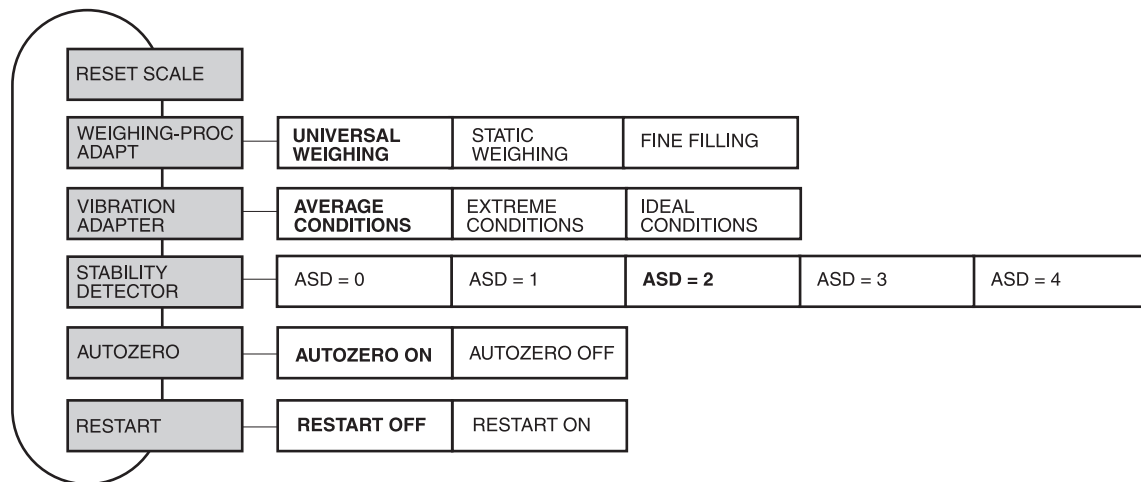
PERSONAL CODE	Codes for entering various master mode menus
	Enter codes with a maximum of 8 alphanumeric characters.
MINIMUM	Access to master mode
GENERAL	Access to all personal codes
PAC	Access to the PAC / RESET PAC and PAC / ERROR-INFO menus
PAC-DATAB.	Access to the PAC / DATABASE menu
PAC-APPL.	Access to the PAC / APPLICATION menu
INTERFACE	Access to all parameters in the INTERFACE menus; the test functions are freely accessible
OPTION 1 OPTION 2 OPTION 3	Program dependent
Note	If only zeros are entered, the password is not used

4.4 SCALE master mode block

In the first block the weighing platform is selected: SCALE 1 ... SCALE 3.
The other setting possibilities are the same for all connected weighing platforms.

4.4.1 Overview of the SCALE master mode block

In the SCALE master mode block the following settings for the weight can be carried out:



- Legend**
- Blocks highlighted in **grey** are described in detail in the following.
 - Factory settings are printed in **bold print**.

4.4.2 Settings in the SCALE master mode block

RESET SCALE	Reset weighing platform to factory setting	
	WEIGHING-PROC ADAPT	universal weighing
	VIBRATION ADAPTER	average conditions
	STABILITY DETECTOR	ASD = 2
	AUTOZERO	on
	RESTART	off

WEIGHING-PROC ADAPT	Adapt weighing platform to weighing sample
UNIVERSAL WEIGHING	For solid bodies, coarse filling or checkweighing (factory setting).
STATIC WEIGHING	For solid bodies and weighing under extreme conditions, e. g. strong vibrations or weighing animals.
FINE FILLING	For liquid or powdered weighing samples.

VIBRATION ADAPTER	Adapt weighing platform to the vibration influences of the environment
AVERAGE CONDITIONS	Factory setting.
EXTREME CONDITIONS	The weighing platform operates more slowly, however is less sensitive, e. g. suitable with building vibrations and vibrations at the weighing location.
IDEAL CONDITIONS	The weighing platform operates very quickly, however is very sensitive, e. g. suitable with very calm and stable weighing location.

STABILITY DETECTOR	Adapt automatic stability detector
	<p>Possible settings:</p> <p>ASD = 0 Stability detector switched off (only possible with non-certified weighing platforms)</p> <p>ASD = 1 fast display good reproducibility</p> <p>ASD = 2 ▲ ▼ (factory setting)</p> <p>ASD = 3 ▲ ▼</p> <p>ASD = 4 slow display very good reproducibility</p>

AUTOZERO	Switch automatic zero-point correction on or off
	<p>The automatic zero-point correction corrects the weight of minor dirt with the weighing platform unloaded.</p> <p>Factory setting: AUTOZERO ON</p>

RESTART	Switch restart function on or off
	<p>When RESTART ON is set, the zero point and tare value remain stored after the power supply is interrupted. When the weighing platform is switched on again, the terminal shows the current weight.</p> <p>Factory setting: RESTART OFF</p>

4.5 INTERFACE master mode block

Select the interface connection

→ Select the interface connection in the first block:
COM1, COM2, COM3, COM4, COM5 or COM6.

Possible interface types

- GA46 For connection of the GA46/GA46-W printer. Data is exchanged via the RS232-ID7 interface. The other setting possibilities are described in the operating and installation instructions GA46. This selection no longer appears when a GA46 printer is already configured.
- BARCODE For connection of a barcode reader. Data is exchanged via the RS232-ID7 interface. For other settings see page 38.
- SERIAL An RS232-ID7, CL 20mA-ID7, RS422-ID7 or RS485-ID7 interface must be connected to the selected connection. For additional settings, see Page 38.
- 4 I/O Only for COM5/COM6. A 4 I/O-ID7 interface with relay box 4-ID7 must be installed on the interface connection for this purpose. For other settings see 38.
- RELAY BOX 8 Only for COM5/COM6. An RS485-ID7 interface with relay box 8-ID7 must be installed on the interface connection for this purpose. For other settings see page 39.
- FX880 For the connection of an EPSON FX870/880 printer. Data transfer is carried out via the RS232-ID7 or CL 20mA-ID7 interface. For additional settings, see Page 39.
- TCP/IP-CLIENT Only for COM2 through COM6. An Ethernet-ID7 interface must be connected to the selected interface connection. For additional settings, see Page 40.
- FTP-CLIENT Only for COM2 through COM6. An Ethernet-ID7 interface must be connected to the selected interface connection. For additional settings, see Page 43.
- PROFIBUS-DP Only for COM2 ... COM6 with installed Profibus-DP-ID7 interface. For additional settings, see page 45.
- ALIBI MEMORY Only for COM2 ... COM6. An Alibi Memory-ID7 must be installed on the selected interface connection for this purpose. No further settings are required in the master mode. This selection no longer appears when an Alibi Memory-ID7 is already configured.
- ANALOG OUTPUT Only for COM5/COM6 with installed Analog Output-ID7 interface.
- TERM(EX)200 For connection of the TERM(EX)200 (Ex-) operating and display device. Data transfer is carried out via the RS232-ID7 or CL 20mA-ID7 interface. No additional settings are possible in the master mode.

BARCODE	Setting the parameters of the barcode driver for the RS232 scanner. Some parameters are not editable (dependent on the program)
SWITCH ON/OFF	Switches the function of this driver on or off.
MODE	Changes interface parameters.
BAUDRATE	Possible settings: 150, 300, 600, 1200, 2400, 4800, 9600, 19200 Baud
PARITY	Possible settings: Parity even, Parity odd, No parity, Parity mark, Parity space
DATABITS	Possible settings: 7 databits, 8 databits
STOPBITS	Possible settings: 1 stopbit, 2 stopbits
END CHARACTERS	The end characters of the scanner are automatically sent with each barcode. Possible settings: any two characters, generally 13 (CR) and 10 (LF). If only one end character is required, the second end character must be 0.
TEST	Test function for testing the scanner. All characters received from the scanner are shown in the display, including the end characters.

SERIAL	Parameters of the standard COM interface driver for serial interfaces. Some parameters are not editable (dependent on the program)
SWITCH ON/OFF	Switches the function of this driver on or off.
MODE	Changes interface parameters.
BAUDRATE	Possible settings: 150, 300, 600, 1200, 2400, 4800, 9600, 19200 Baud
PARITY	Possible settings: Parity even, Parity odd, No parity, Parity mark, Parity space
DATABITS	Possible settings: 7 databits, 8 databits
STOPBITS	Possible settings: 1 stopbit, 2 stopbits
TEST	Test function for communication testing. All characters received over the interface are shown in the display. Simple character strings can be sent, if desired.

4 I/O	Parameters of the I/O module. Some parameters are not editable (dependent on the program)
SWITCH ON/OFF	Switches the function of this driver on or off.
TEST	Test function for testing the 4 I/O module The display shows the signal over inputs 1-4. Outputs 1-4 can be switched on or off using keys 1-4.
Important	Please ensure that no system functions are activated inadvertently!

RELAY BOX 8	
SWITCH ON/OFF	Switches the function of this driver on or off.
I/O TEST	<p>Tests function and state of inputs/outputs of 1 or 2 connected relay boxes 8-ID7</p> <p>When an input or output is set (high), its number is shown in the display. When an input or output is not set (low), – is shown in the display.</p> <p>Setting outputs Switch outputs using keys 1 to 8 of the numeric keypad.</p> <p>Setting inputs Inputs can be set by connecting a voltage supply (+24 V), for example.</p> <p>Multiple relay box 8-ID7s Switch over to further relay box 8-ID7s using the ENTER key.</p>
Notes	The relay box 8-ID7 corresponds with the BIU Binary Interface Unit. For additional information, see the operating and installation instructions for the 505918A Binary Interface Unit.

FX880	Parameters of the EPSON FX870/880 printer. Some parameters are not editable (dependent on the program)
SWITCH ON/OFF	Switches the print function of this driver on or off.
MODE	Changes interface parameters.
BAUDRATE	Possible settings: 150, 300, 600, 1200, 2400, 4800, 9600, 19200 Baud
PARITY	Possible settings: Parity even, Parity odd, No parity, Parity mark, Parity space
DATABITS	Possible settings: 7 databits, 8 databits
STOPBITS	Possible settings: 1 stopbit, 2 stopbits
PROTOCOL	Switches between the TTY communication and the secured RP (R emote P rinter) operating mode
TTY PROTOKOLL	TTY communication, factory setting
RP PROTOCOLL	RP operating mode, only possible when a special EPROM is present in the serial interface of the Epson printer
TEST	Test function for printing a simple test message

TCP/IP CLIENT (RESPONSE)	Parameters of the TCP/IP client driver which parameterises the Ethernet-ID7 interface as a TCP/IP client. Some parameters are not editable (dependent on the program).
SWITCH ON/OFF	Switches the function of this driver on or off.
IP ADDRESS	<p>Network IP address of the ID7-Sys: This address must be assigned by IT personnel under the administrator. It must be unique within the network.</p> <p>Entry format: 000.000.000.000</p> <p>Example: 176.120.98.3</p>
HOST IP ADDRESSES	<p>IP addresses of the (max. 16) network hosts (TCP/IP server): These addresses must be assigned by IT personnel under the administrator. The address of at least one host (host 0) must be entered here. This IP address must be unique within the network.</p> <p>The ID7-Sys establishes a TCP/IP connection with a host (generally host 0) if necessary.</p> <p>Entry format: 000.000.000.000</p> <p>Example of a host IP address: 176.120.98.4</p>
TEST	<p>Test function which establishes a simple TCP/IP connection from the ID7-Sys to a computer.</p> <p>Characters sent to the ID7-Sys are displayed continuously.</p> <p>F1 enter a simple character string.</p> <p>F5 Select host x (0-15) and enter any relevant end character.</p> <p>ENTER Open a connection with the host.</p> <p>The TCP/IP connection is closed directly after transmission.</p> <p>No indication is made as to whether or not the connection was successful. Generally, the called host must reply to the request accordingly.</p> <p>If no characters are received, it usually means that the connection did not work.</p>

Additional TCP/IP CLIENT settings

The Ethernet-ID7 interface controls a large number of parameters, only the most important of which are to be set in the mastermode of the ID7-Sys. Most other parameters can only be set when a Telnet connection is established to a computer on the network to the ID7-Sys. For this purpose, the Telnet program must be started on a computer within the same network segment. The number 1111 must be entered as the port.

Full access to the Ethernet-ID7 interface menus (features) is available when a Telnet connection exists between the computer and the ID7-Sys.

The computer displays the topmost menu level as follows:

```
*****
*           100BaseT Com-Server           *
*****

1. INFO System
2. SETUP System
3. SETUP Port 0 (Serial)
4. SAVE Setup
```

Press <No.+ ENTER> (q=quit):

It is imperative that the following parameters be set:

Parameter	Value	Description
SETUP Port 0 (serial) TCP/IP Mode TCP Client Server Port	0	The port number is entered by the ID7-Sys automatically
SETUP Port 0 (serial) TCP/IP Mode TCP Client Server IP	000.000.000.000	The IP addresses of the (16 max.) TCP/IP servers must be entered in the mastermode of the TCP/IP client driver
SETUP Port 0 (serial) TCP/IP Mode TCP Client Special Options Dispatch Str. 1	0400	First end character definition
SETUP Port 0 (serial) TCP/IP Mode TCP Client Special Options Dispatch Str. 2	0000	Second end character definition
SETUP Port 0 (serial) TCP/IP Mode TCP Client Special Options Inactivity timeout	30 w/o response 0 w/ response	In seconds
SETUP Port 0 (serial) TCP/IP Mode TCP Client Special Options Connection timeout	300 w/o response 0 w/ response	In seconds

Parameter	Value	Description
SETUP Port 0 (serial) TCP/IP Mode TCP Client Special Options Disconnect char	3	Ends the transfer/communication
SETUP Port 0 (serial) TCP/IP Mode TCP Client Special Options Client: "C"+Addr	1	Function for enabling connection to the host by the ID7-Sys
SETUP Port 0 (serial) TCP/IP Mode TCP Client Special Options Response Mode	0 w/o response 1 w/ response	
SETUP Port 0 (serial) UART Setup	9600, N, 8, 1, H	Serial parameters of the internal interface

FTP CLIENT	Parameters of the FTP client driver which parameterises the Ethernet-ID7 interface as an FTP client. Some parameters are not editable (dependent on the program).
SWITCH ON/OFF	Switches the function of this driver on or off.
IP ADDRESS	Network IP address of the ID7-Sys: This address must be assigned by IT personnel under the administrator. It must be unique within the network. Entry format: 000.000.000.000 Example: 176.120.98.3
FTP SECURITY	Enter the FTP username and the accompanying FTP password for the ID7-Sys. Both must be assigned by IT personnel of the administrator, who will also enter these data into his FTP server program. The ID7-Sys identifies itself to the FTP server under the FTP username.
FTP FILE	Enter the drive, directory and name of the file which is to be transferred from the ID7-Sys to the FTP server. Valid directory identification conventions (examples): C:\OS\TEST\ or /C/OS/TEST/ A "\" or "/" must always be entered as the last character.
RECEIVE TIMEOUT	This timeout can be extended after a connection until the ID7-Sys aborts and displays a fault message. The FTP server program should identify itself during this timeout. This timeout is strongly dependent upon the administrator's network load. Factory setting: 3000 ms.
TEST	Test function which establishes an FTP connection from the ID7-Sys to a computer. A simple character string which is to end up in a file in the target computer must be entered. The parameters of the FTP SECURITY and FTP FILE menus are used for the connection. The ID7-Sys reports whether or not the characters could be transferred successfully. At the latest, this is done after the receive timeout has been extended. In addition, the reply from the FTP server program is displayed in 2 receive strings.

Note

The IP address of the target computer can **not** be entered in the mastermode. For this purpose, a Telnet connection must be established by an external computer.

Additional FTP CLIENT settings

The Ethernet-ID7 interface controls a large number of parameters, only the most important of which are to be set in the mastermode of the ID7-Sys. Most other parameters can only be set when a Telnet connection is to be established from a computer on the network to the ID7-Sys. For this purpose, the Telnet program must be started on a computer within the same network segment. The number 1111 must be entered as the port.

Full access to the Ethernet-ID7 interface menus (features) is available when a Telnet connection exists between the computer and the ID7-Sys.

The computer displays the topmost menu level as follows:

```
*****
*           100BaseT Com-Server           *
*****
1. INFO System
2. SETUP System
3. SETUP Port 0 (Serial)
4. SAVE Setup
```

Press <No.+ ENTER> (q=quit):

It is imperative that the following parameters be set:

Parameter	Value	Description
SETUP Port 0 (serial) TCP/IP Mode FTP Client Server Port	21	Port number of the FTP protocol
SETUP Port 0 (serial) TCP/IP Mode FTP Client Server IP	This entry must be assigned by IT personnel under the administrator	IP addresses of the computer on which the FTP server program is running
SETUP Port 0 (serial) TCP/IP Mode FTP Client Special Options AUTO FTP	0	
SETUP Port 0 (serial) TCP/IP Mode FTP Client Special Options Protocol char	3	Definition of the end character
SETUP Port 0 (serial) TCP/IP Mode FTP Client Special Options Inactivity timeout	30	In seconds

Parameter	Value	Description
SETUP Port 0 (serial) TCP/IP Mode FTP Client Special Options Connection timeout	300	In seconds
SETUP Port 0 (serial) UART Setup	9600, N, 8, 1, H	Serial parameters of the internal interface

PROFIBUS-DP	Configuring Profibus-DP-ID7
SWITCH ON/OFF	Switches the function of this driver on or off.
NODE ADDRESS	Selects the desired node address from a range of 0 to 126.
OPERATING MODE	Possible settings: 4 words 8 words
TEST	Test function for testing the Profibus I/O values

ANALOG OUTPUT	Configuring the analog output
SWITCH ON/OFF	Switches the function of this driver on or off.
TEST	Test function for testing the analog output. Entered values can range from 0 to 4095.

4.6 SERVICE MODE master mode block

The service mode is used for

- entry of the parameters specific to the weighing platform,
- calibration of the scale,
- setting the linearity,
- resetting the measuring cell parameters to the factory setting.

CAUTION

The parameters which can be changed in the service mode are protected by certification. If the scale is set to certified (APPROVE in the program block SCALE), the identcode (identification code) counter will be incremented by one when the altered parameters are stored. In the case of a certified scale, this corresponds to destruction of the certification seal. Recertification of the scale is then necessary.

4.6.1 Overview of the SERVICE MODE master mode block

RETURN	Quit service mode without changing the set parameters and the identcode counter.
RESET	Reset weighing platform parameters to factory setting.
NATION	Selection of the country. This automatically takes the certification regulations of the particular country into account.
SCALE PARAMETERS	Entry of the parameters specific to the weighing platform: certifiability, type, maximum capacity and resolution.
LINEARITY	Enter or calibrate linearity.
CALIBRATION	Calibration of the weighing platform.
ADAPTION	Enter application-specific parameters.
SAVE PARAMETERS	Storage of the selected configuration.

4.6.2 Entering service mode

1. Activate master mode and select SERVICE MODE.
2. Enter code 2 4 8 16 32.

CAUTION

When the code is entered, the scale loses its calibration certification!

3. Select SCALE SERVICE MODE.
4. Select scale with analog signal output (Scale 2 or Scale 3).
The first service mode block RETURN appears.

4.6.3 Operating the service mode

Only the two keys for YES and NO are active in the service mode, the numeric keypad is not available.

CA	150 kg
NO	
	0
NO	
	1
NO	
	⋮
	6
YES	
	60
YES	
	600
NO	
	60.
SI	
CA	60 kg

Example 1: Entry of the maximum capacity 60 kg

The maximum capacity shown in the display does not correspond to the desired value. Reply with NO.

The digit 0 appears. Use NO to increment the first digit to the desired value.

6 is the desired 1st digit, confirm with YES.

The digit 0 appears at the 2nd place. 60 is the desired value, confirm with YES.

A further place appears, but is not needed. Reply with NO.

60. is the desired value, confirm with YES.

For a check, the value of the maximum capacity just set now reappears. Confirm with YES and proceed to the next program block.

d	0.001 kg
NO	
	0
YES	
	00
NO	
	0.
YES	
	0.0
YES	
	⋮
	0.000
NO	
	0.001
NO	
	⋮
	0.005
YES	
d	0.005 kg

Example 2: Entry of the resolution 0.005 kg

The resolution shown in the display does not correspond to the desired value. Reply with NO.

The digit 0 appears, confirm with YES.

Another 0 appears before the point, but is not needed. Reply with NO.

The decimal point appears, confirm with YES.

Press YES for additional places until the number of desired decimal places is reached.

Select the desired resolution with NO.

0.005 is the desired value, confirm with YES.

For a check, the value of the resolution just set now reappears.. Confirm with YES and proceed to the next program block.

4.6.4 Settings in the service mode

RESET	Resetting to the factory setting
NO RESET	Quit the service mode block without resetting the parameters.
RESET ALL	Reset parameters specific to weighing platform to the factory setting.

SCALE PARAMETERS	Selecting the parameters specific to the weighing platform
NO W+M APPROVAL W+M APPROVE	1. Select certification capability <ul style="list-style-type: none"> • Noncertified scale • Certified scale
MULTI-RANGE MULTI-INTERVAL	2. Selecting multi-range or multi-increment scale <ul style="list-style-type: none"> • Multi-range (fixed ranges) • Multi-increment (ranges can be shifted with tare function)
1 RANGE / 1 INTERVAL 2 RANGES / 2 INTERVALS 3 RANGES / 3 INTERVALS	3. Select number of weighing ranges <ul style="list-style-type: none"> • Same resolution over entire weighing range • Two ranges with different resolution • Three ranges with different resolution
UNIT = kg UNIT = lb UNIT = g	4. Select unit <ul style="list-style-type: none"> • Display in kg • Display in lb, if allowed by metrological regulations • Display in g
CA XXX kg 0	5. Select maximum capacity <ul style="list-style-type: none"> • Maximum capacity currently set • Enter desired maximum capacity and confirm
CAP1 CA XXX kg 0	6. Define weighing ranges (with multirange or multi-increment scales only) <ul style="list-style-type: none"> • Display for information: Weighing range 1 • Value currently set for the first weighing range • Enter desired value for the first weighing range <p>With the setting 3 RANGES / 3 INTERVALS, the maximum load in the second weighing range is calculated as follows: Number of resolution points of the first area x number step of the 2nd range.</p>

SCALE PARAMETERS	Selecting the parameters specific to the weighing platform
D X.XXXX kg 0	<p>7. Select resolution</p> <ul style="list-style-type: none"> Resolution currently set for the first weighing range. With multi-range or multi-increment scales, the resolution of additional weighing ranges is determined automatically by the weighing terminal. Enter desired resolution for the first weighing range.
Comment	If one of the settings or their combination was inadmissible, the message ERR_Rx appears where x represents the weighing range. In this case, the program jumps back to step 1.

LINEARITY	Entering linearity
	<p>This service mode block can be used to compensate linearity errors. The linearity is usually checked with half the maximum capacity. When half the maximum capacity is loaded on the scale in normal operation, the scale should show exactly this value. If this is not the case, note the displayed value (linearity) so that it can be entered at the appropriate place in the service mode.</p>
ENTER LINCAP XX.XXX kg 0	<p>1. Select linearization weight</p> <ul style="list-style-type: none"> Display for information: Linearization weight. Linearization weight currently set, e.g. half load. Enter desired linearization weight.
RESET LINEARITY	<p>2. Reset linearity compensation</p>
ENTER DISPL CAP XX.XXX kg 0 CAL LINEARITY SET PRELOAD SET LINCAP UNLOAD	<p>3. Linearization</p> <p>by entry of the linearity</p> <ul style="list-style-type: none"> Display for information: Enter linearization weight. Accept displayed weight value if it matches the weight value displayed when the linearization weight was loaded. Enter weight value displayed when the linearization weight was loaded. <p>by loading the linearization weight</p> <ul style="list-style-type: none"> Unload scale and load preload, if used, confirm with YES. Load linearization weight selected in step 1, confirm with YES. Unload scale, confirm with YES.

CALIBRATION	Calibrating weighing platform – using geo value
	<p>If weighing platform and weighing terminal have already been matched to each other (calibrated) in the factory, the calibration can be corrected by the geo value up to a resolution of 3000 digit.</p> <p>If a higher resolution is required or if the weighing platform and weighing terminal have not been matched to each other, the calibration must be performed with external weights.</p>
GEO 00 ... GEO 31	Select appropriate geo value. You will find the value appropriate to your country in the following table.

Country		Geo value	Country		Geo value
A	Austria	19	MA	Morocco	13
AUS	Australia	12	MAL	Malaysia	5
B	Belgium	21	MEX	Mexiko	5
BR	Brazil	8	N	Norway	24
CDN	Canada	18	NL	Netherlands	21
CH	Switzerland	18	NZ	New Zealand	16
CO	Columbia	2	P	Portugal	15
D	Germany	20	PE	Peru	6
DK	Denmark	23	PRC	China	10
E	Spain	15	RA	Argentina	13
EC	Ecuador	1	RCH	Chile	12
ET	Egypt	11	RI	Indonesia	6
F	France	19	ROC	Taiwan	10
GB	Great Britain	21	ROK	South Korea	15
GR	Greece	15	S	Sweden	24
HK	Hong Kong	9	SA	Saudi Arabia	8
I	Italy	17	SF	Finland	24
IL	Israel	12	SGP	Singapore	5
IND	India	8	T	Thailand	6
IR	Iran	12	TA	Turkey	16
IRL	Ireland	22	USA	United States	16
IS	Iceland	26	YUG	Yugoslavia	18
J	Japan	14	YV	Venezuela	5
JOR	Jordan	11	ZA	South Afrika	12
KWT	Kuwait	11			

CALIBRATION	Calibrating weighing platform – with an external weight
CAL EXTERNAL	If you wish to calibrate with an external weight, confirm with YES.
SET PRELOAD --CALIBRATION--	<ul style="list-style-type: none"> • Load preload and confirm with YES. If you do not wish to calibrate the zero point, reply with NO (e.g. for the stepwise calibration of hopper scales). • The scale calibrates with preload if PRELOAD was confirmed with YES.
SET FULLCAP CA XXX KG – or – 0 --CALIBRATION--	<ul style="list-style-type: none"> • Display for information: Maximum capacity. • Prompt to load and confirm the displayed maximum capacity. – or – • Enter desired maximum capacity. • The scale calibrates with maximum capacity.
UNLOAD --CALIBRATION--	<ul style="list-style-type: none"> • Unload weighing platform and confirm with YES. This prompt appears only if PRELOAD was answered with YES. • The calibration can be aborted at this point with NO, the program then jumps to the service mode block SAVE PARAMETERS. • The scale calibrates with preload.

ADAPTION	Entry of application-specific parameters
PU DELAY XX sec	<p>1. Delay time</p> <p>Depending on the environmental conditions and loading of the scale, the system requires additional time for an exact zero-point determination.</p> <ul style="list-style-type: none"> • Enter additional delay time when switching on, max. 600 sec. factory setting: 0 sec.
PU ZERO RANGE OFF ON – XX % + XX %	<p>2. Zero-set range</p> <ul style="list-style-type: none"> • Switch off zero-set range, only for noncertified scales. With this the zero-set range can be shifted over the entire weighing range. • Activate zero-set range (factory setting) and enter limits. <ul style="list-style-type: none"> – certified: max. 20 % of weighing range factory setting: –2 % ... +18 % – noncertified over entire weighing range factory setting: –50 % ... +50 %

ADAPTION	Entry of application-specific parameters
AUTO ZERO OFF ON GROSS ONLY GROSS+NET AZM x.x d	3. Automatic zero-point correction <ul style="list-style-type: none"> • Switch off automatic zero-point correction, only with noncertified scales. • Switch on automatic zero-point correction (factory setting) <ul style="list-style-type: none"> – Automatic zero-point correction for gross value (factory setting) – Automatic zero-point correction for gross and net value – Enter range for automatic zero-point correction: 0.5 d for certified scales 0.5 d (factory setting), 1.0 d, 3.0 d for noncertified scales
ZERO ADJUST ENTER ZERO CAP XX.XXX kg CALIBRATE ZERO UNLOAD --CAL--	4. Zero-point shift via entry of weight value <ul style="list-style-type: none"> • Zero-point shift with manual entry. • Enter weight value for zero-point shift. via measuring in of pre-load <ul style="list-style-type: none"> • Zero-point shift with calibration. • Apply pre-load to scale and confirm with YES. • Scale specifies new zero point. Note Following a zero-point shift the weighing range must be checked again!
SPAN ADJ ENTER SPAN CAP XX.XXX kg ENTER SPAN DISP XX.XXX kg	5. Range adjustment <ul style="list-style-type: none"> • Prompt to enter test weight. • Enter test weight. • Prompt to enter read-off weight value. • Enter read-off weight value for test weight.

SAVE PARAMETERS	Storing the selected configuration
	The identcode counter is incremented by one. With certified scales, this corresponds to destruction of a certification seal. Recertification is then necessary.

4.6.5 Identcode counter at maximum

The identcode counter runs to 99. After this, additional certifiable configurations are not possible, the scale can be operated only in the noncertified configuration.

In this case, the following messages appear:

ERROR Acknowledge error message.

IDENT The error message then appears in clear text.

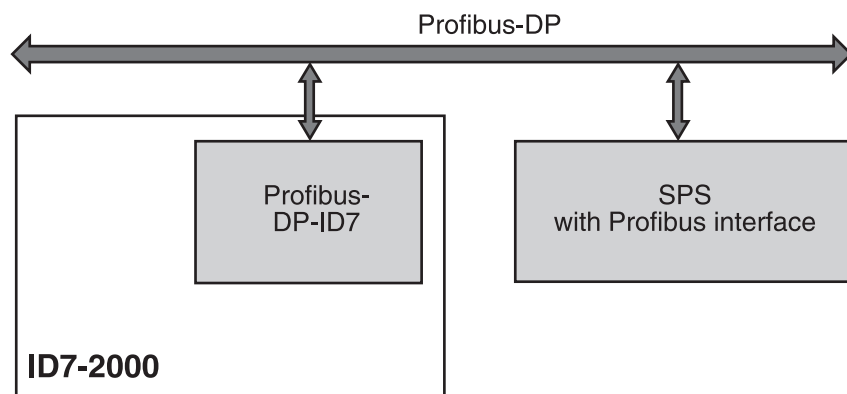
5 Interface description

5.1 Profibus-DP communication with a PLC

5.1.1 Overview

The Profibus-DP-ID7 is designed for operation as a slave on the Profibus-DP. This provides the following possibilities with a master PLC also connected to the Profibus-DP:

- Access to the weight values of the weighing platform connected to the weighing terminal
- Operation of the weighing platforms connected to the weighing terminal (zero-set, taring, setting specified tare values, etc.)
- Triggering key presses, transmitting data strings or display of texts



5.1.2 Data formats

All user data are transmitted in a compressed, up to 4/8-word long format. The contents of the usage data is dependent upon the customer-specific ID7-Sys application, refer to the description of the application.

6 What to do if....?

Error / Message	Possible causes	Rectification
Display dark	<ul style="list-style-type: none"> • No line voltage • Terminal switched off • Power cable not plugged in • Momentary interference 	<ul style="list-style-type: none"> → Check power supply → Switch on terminal → Insert power plug → Switch terminal off and then on again
Weight display unstable	<ul style="list-style-type: none"> • Restless installation location • Draft • Interference between load plate and/or materials being weighed and environment • Power supply interference 	<ul style="list-style-type: none"> → Adjust vibration adapter → Block draft → Rectify interference → Check power supply
Incorrect weight display	<ul style="list-style-type: none"> • Incorrect zeroing of weighing platform • Incorrect tare value • Interference between load plate and/or materials being weighed and environment • Weighing platform tilted • Incorrect weighing platform selected 	<ul style="list-style-type: none"> → Unload weighing platform, repeat zeroing and weighing → Delete tare or enter correct tarevalue → Rectify interference → Level out weighing platform → Select correct weighing platform
IDENTCODE =	<ul style="list-style-type: none"> • Test cycle started 	<ul style="list-style-type: none"> → Complete test by pressing the ZERO-SET key
-----	<ul style="list-style-type: none"> • Load plate not in place • Pre-load not in place • Weighing range dropped below • Weighing range exceeded • Weighing platform locked 	<ul style="list-style-type: none"> → Put load plate in place → Load pre-load → Set to zero → Unload weighing platform → Release lock
SCALE ERROR	<ul style="list-style-type: none"> • Error in weighing platform 	<ul style="list-style-type: none"> → Test weighing platforms → If message appears again: Inform METTLER TOLEDO Customer Service
SCALE OVERLOAD	<ul style="list-style-type: none"> • Weighing range exceeded 	<ul style="list-style-type: none"> → Unload weighing platform
TOTAL IS NEGATIVE	<ul style="list-style-type: none"> • Total weight is negative 	<ul style="list-style-type: none"> → Unload weighing platform and set to zero
TARING ERROR	<ul style="list-style-type: none"> • Taring not possible, as total weight is negative 	<ul style="list-style-type: none"> → Unload weighing platform and set to zero, repeat taring

Error / Message	Possible causes	Rectification
SET TO ZERO ERROR	<ul style="list-style-type: none"> • Zero-set range exceeded 	→ Unload weighing platform and set to zero
SCALE IN MOTION	<ul style="list-style-type: none"> • Weight value does not remain constant • Restless environment 	→ Wait until weighing platform shows weight value which remains constant → Ensure low-vibration environment → Check setting of vibration adapter → If message appears again: Inform METTLER TOLEDO Customer Service
SCALE NOT ZERO	<ul style="list-style-type: none"> • Zero point has shifted 	→ Set to zero
PRINTER OFFLINE	<ul style="list-style-type: none"> • Printer switched off 	→ Switch on printer
NO PAPER	<ul style="list-style-type: none"> • No paper in printer 	→ Insert paper
PRINTER ERROR	<ul style="list-style-type: none"> • General printer error 	→ Inform METTLER TOLEDO Customer Service
MEMORY CLEARED	<ul style="list-style-type: none"> • New software in ID7-Sys, all data reset to factory setting 	–
NO ALIBI MEMORY	<ul style="list-style-type: none"> • No alibi memory found 	→ Inform METTLER TOLEDO Customer Service
ALIBI VERSION < 1.5	<ul style="list-style-type: none"> • Old version of ID7 alibi memory 	→ Update ID7 alibi memory
END OF FILE	<ul style="list-style-type: none"> • End of file 	→ Inform METTLER TOLEDO Customer Service
ALIBI ERROR	<ul style="list-style-type: none"> • Error in alibi memory 	→ Inform METTLER TOLEDO Customer Service
ETHERNET ERROR	<ul style="list-style-type: none"> • Ethernet card error 	→ Inform METTLER TOLEDO Customer Service
NO SCALE FOUND	<ul style="list-style-type: none"> • Round plug not plugged in correctly • Load-cell cable not connected properly • Not all scales connected 	→ Insert plug correctly → Inform METTLER TOLEDO Customer Service → Connect weighing platforms and/or connect mating connectors to available weighing platform connections.

Error / Message	Possible causes	Rectification
SCALE NO. ERROR	<ul style="list-style-type: none"> • Error in weighing cell • Two or more connected weighing platforms have identical scale number 	<ul style="list-style-type: none"> → Repeat test → If message appears again: Inform METTLER TOLEDO Customer Service → Inform METTLER TOLEDO Customer Service
NO CONTACT TO FTP SERVER	<ul style="list-style-type: none"> • Network connection faulty • FTP server program not installed on external computer 	<ul style="list-style-type: none"> → Rectify network connection problem → Install FTP server program
WRONG CODE	<ul style="list-style-type: none"> • Incorrect personal code • Incorrect information in FTP SECURITY or FTP FILE 	<ul style="list-style-type: none"> → Enter correct personal code → Enter permissible values for username, password, drive, directory and file name
DATABASE INIT ERROR	<ul style="list-style-type: none"> • Database could not be initialised 	<ul style="list-style-type: none"> → Inform METTLER TOLEDO Customer Service

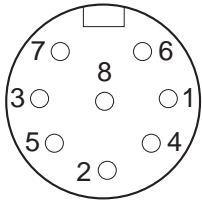
7 Technical data and accessories

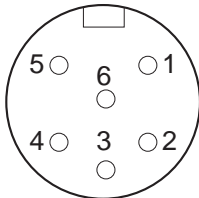
7.1 Technical data

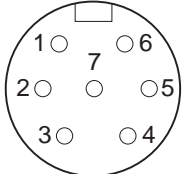
Terminal	
Display	<ul style="list-style-type: none"> • Active, brightly lit green VFD dot matrix display, with graphics capabilities, 40 x 170 pixels, display field 135 x 46 mm • Cover of scratch-resistant, hardened, antireflection glass
Keypad	<ul style="list-style-type: none"> • Tactile-touch membrane keypad with acoustic acknowledgement • Scratch-resistant marking, 3-color • 4 keys A to D for identification data, 6 function keys with function change and info key, 4 scale function keys, numerical keypad • Alphanumeric input possible with function keys • Standard connection for external MFII keypad
Housing	<ul style="list-style-type: none"> • All nickel chromium steel DIN X5 CrNi 1810 • Weight: net 3.5 kg; gross 5 kg
Protection type (IEC 529, DIN 40050)	<ul style="list-style-type: none"> • Dust and water-tight as per IP68 • Resistant to high-pressure and steam jet cleaning as per IPX9K
Power supply	<ul style="list-style-type: none"> • 100 V – 240 V, +10/–15 %; 50/60 Hz • Power cord with grounded plug, length approx. 2.5 m • Power consumption approx. 60 VA
Ambient conditions as per EN 60950	<ul style="list-style-type: none"> • Pollution degree 2 • Overvoltage category II • Maximum operating elevation in m above sea level: 2000 m
Ambient temperature	<ul style="list-style-type: none"> • Operation: –10 – +40 °C for weighing platforms of certification class III 0 – +40 °C for weighing platforms of certification class II • Storage: –25 – +60 °C
Relative humidity	20 – 80 %, non-condensing
Weighing platform connection	<ul style="list-style-type: none"> • 1 IDNet connection standard for METTLER TOLEDO weighing platforms of the series D, F, K, N, Spider ID, DigiTOL, analog scales with AWU 3/6 and analysis and precision scales of the series B, G an R • 2 additional IDNet connections possible (IDNet-ID7 or Analog Scale-ID7)
Interface connection	1 RS232 connection standard, maximum of 5 additional interface connections possible
Total load of all output voltages on the ID7-Sys	Output voltage 5 V max. 600 mA Output voltage 12 V max. 200 mA Output voltage 24 V max. 100 mA

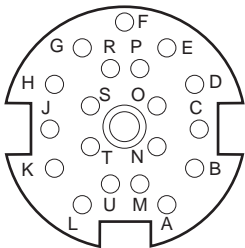
Weighing functions	
Tare compensation	At the press of a button or automatically, up to maximum load (subtractive)
Tare target value (option)	<ul style="list-style-type: none"> • For single-range scales over entire weighing range (subtractive) • For multi-range scales depending on national calibration regulations
Tare indicator	NET lights up with saved tare weight
Setting to zero	Automatic or manual
Stabilization detector	4-step, with motion indicator
Weighing process adapter	3-step adjustment to weighing sample
Vibration adapter	3-step adjustment to ambient conditions
Test	Test function for checking weighing platform
Info function	Display of system functions
Date and time	<ul style="list-style-type: none"> • For printout or output via the data interface • Quartz-controlled, 24-hour display, automatic calendar function, Europe format, protected against power failures

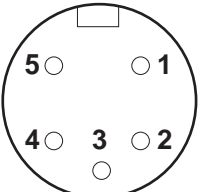
Analog Scale-ID7 analog weighing platform connection																	
Connectable weighing platforms	Strain gauge weighing platforms METTLER TOLEDO MultiRange with analog scale interface: Types DB, DCC, D...T, N...T, DMS load corners RWM, SPIDER weighing platforms																
A/D converter	<table border="0"> <tr> <td>Resolution certified</td> <td>max. 7500 e</td> </tr> <tr> <td>Resolution non-certified</td> <td>max. 450000 d</td> </tr> <tr> <td>Strain gauge supply voltage</td> <td>8.75 V</td> </tr> <tr> <td>Minimum numerical increment (certified)</td> <td>0.58 μV/e</td> </tr> <tr> <td>Minimum numerical increment (noncertified)</td> <td>0.058 μV/e</td> </tr> <tr> <td>Max. cable length</td> <td>100 m</td> </tr> <tr> <td>Response time, typ.</td> <td>0.6 s</td> </tr> <tr> <td>Measured value change selectable</td> <td>in steps, max. 20/s</td> </tr> </table>	Resolution certified	max. 7500 e	Resolution non-certified	max. 450000 d	Strain gauge supply voltage	8.75 V	Minimum numerical increment (certified)	0.58 μ V/e	Minimum numerical increment (noncertified)	0.058 μ V/e	Max. cable length	100 m	Response time, typ.	0.6 s	Measured value change selectable	in steps, max. 20/s
Resolution certified	max. 7500 e																
Resolution non-certified	max. 450000 d																
Strain gauge supply voltage	8.75 V																
Minimum numerical increment (certified)	0.58 μ V/e																
Minimum numerical increment (noncertified)	0.058 μ V/e																
Max. cable length	100 m																
Response time, typ.	0.6 s																
Measured value change selectable	in steps, max. 20/s																
Other scales	<table border="0"> <tr> <td>1 – 4 350-Ω-weighing cells; 1 – 8 1000-Ω-weighing cells</td> <td></td> </tr> <tr> <td>Platform sensitivity</td> <td>0.4 – 3 mV/V</td> </tr> <tr> <td>Platform resistance</td> <td>80 – 1200 Ω</td> </tr> </table>	1 – 4 350- Ω -weighing cells; 1 – 8 1000- Ω -weighing cells		Platform sensitivity	0.4 – 3 mV/V	Platform resistance	80 – 1200 Ω										
1 – 4 350- Ω -weighing cells; 1 – 8 1000- Ω -weighing cells																	
Platform sensitivity	0.4 – 3 mV/V																
Platform resistance	80 – 1200 Ω																

Interface RS232-ID7	
Interface type	Voltage interface as per EIA RS232C/DIN 66020 (CCITT V.24/V.28)
Control signals DTR, DSR	<ul style="list-style-type: none"> • Signal level 0 (for $R_L > 3 \text{ k}\Omega$): $-3 \text{ V} - -25 \text{ V}$ (low level) • Signal level 1 (for $R_L > 3 \text{ k}\Omega$): $+3 \text{ V} - +25 \text{ V}$ (high level)
Data lines TXD, RXD	<ul style="list-style-type: none"> • Signal level 0 (for $R_L > 3 \text{ k}\Omega$): $+3 \text{ V} - +25 \text{ V}$ (high level) • Signal level 1 (for $R_L > 3 \text{ k}\Omega$): $-3 \text{ V} - -25 \text{ V}$ (low level)
Interface parameters	Operating mode full duplex Transmission type bit serial, asynchronous Transmission code ASCII Data bits 7/8 Stop bits 1/2 Parity parity even, parity odd, parity space, parity mark, no parity Baud rate 150, 300, 600, 1200, 2400, 4800, 9600, 19200 baud
Socket  External view	8-pin circular connector, socket Pin 1 Ground Pin 2 TXD, transmission line of scale Pin 3 RXD, receiving line of scale Pin 4 DTR, Data Terminal Ready Pin 5 for COM1 – COM6: $+5 \text{ V}$, max. 250 mA (factory setting) – or – for COM2 – COM6: $+12 \text{ V}$, max. 100 mA; configuring of Pin 5, see section 8.3 Pin 6 Signal Ground Pin 8 DSR, Data Set Ready
Cable	<ul style="list-style-type: none"> • Shielded, stranded in pairs, max. 15 m • Cable resistance $\leq 125 \text{ }\Omega/\text{km}$ • Cable cross section $\geq 0.14 \text{ mm}^2$ • Cable capacity $\leq 130 \text{ nF/km}$

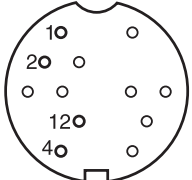
Interface RS422-ID7 / Interface RS485-ID7																																	
Interface type	<ul style="list-style-type: none"> • Bidirectional differential voltage interface • Galvanic separation with optocoupler • Changing configuration Interface RS422-ID7 / Interface RS485-ID7, see section 8.4 																																
Interface parameters	<table> <tr> <td>Operating mode</td> <td>full duplex, point-to-point connection, bus</td> </tr> <tr> <td>Transmission type</td> <td>bit serial, asynchronous</td> </tr> <tr> <td>Transmission code</td> <td>ASCII</td> </tr> <tr> <td>Data bits</td> <td>7/8</td> </tr> <tr> <td>Parity</td> <td>even, odd, zero, one, none</td> </tr> <tr> <td>Baud rate</td> <td>150, 300, 600, 1200, 2400, 4800, 9600, 19200</td> </tr> </table>	Operating mode	full duplex, point-to-point connection, bus	Transmission type	bit serial, asynchronous	Transmission code	ASCII	Data bits	7/8	Parity	even, odd, zero, one, none	Baud rate	150, 300, 600, 1200, 2400, 4800, 9600, 19200																				
Operating mode	full duplex, point-to-point connection, bus																																
Transmission type	bit serial, asynchronous																																
Transmission code	ASCII																																
Data bits	7/8																																
Parity	even, odd, zero, one, none																																
Baud rate	150, 300, 600, 1200, 2400, 4800, 9600, 19200																																
Socket  External view	<table> <tr> <td colspan="2">6-pin circular connector, socket</td> <td></td> <td></td> </tr> <tr> <td></td> <td>RS422</td> <td>RS485</td> <td>Cable 00 204 933</td> </tr> <tr> <td>Pin 1</td> <td>GND galvanically separated</td> <td>GND galvanically separated</td> <td>white</td> </tr> <tr> <td>Pin 2</td> <td>+5 V, max. 100 mA galvanically separated</td> <td>+5 V, max. 100 mA galvanically separated</td> <td>brown</td> </tr> <tr> <td>Pin 3</td> <td>TXD+</td> <td>TXD+ / RXD+</td> <td>green</td> </tr> <tr> <td>Pin 4</td> <td>TXD-</td> <td>TXD- / RXD-</td> <td>yellow</td> </tr> <tr> <td>Pin 5</td> <td>RXD-</td> <td>not assigned</td> <td>pink</td> </tr> <tr> <td>Pin 6</td> <td>RXD+</td> <td>not assigned</td> <td>gray</td> </tr> </table>	6-pin circular connector, socket					RS422	RS485	Cable 00 204 933	Pin 1	GND galvanically separated	GND galvanically separated	white	Pin 2	+5 V, max. 100 mA galvanically separated	+5 V, max. 100 mA galvanically separated	brown	Pin 3	TXD+	TXD+ / RXD+	green	Pin 4	TXD-	TXD- / RXD-	yellow	Pin 5	RXD-	not assigned	pink	Pin 6	RXD+	not assigned	gray
6-pin circular connector, socket																																	
	RS422	RS485	Cable 00 204 933																														
Pin 1	GND galvanically separated	GND galvanically separated	white																														
Pin 2	+5 V, max. 100 mA galvanically separated	+5 V, max. 100 mA galvanically separated	brown																														
Pin 3	TXD+	TXD+ / RXD+	green																														
Pin 4	TXD-	TXD- / RXD-	yellow																														
Pin 5	RXD-	not assigned	pink																														
Pin 6	RXD+	not assigned	gray																														
Cable	<ul style="list-style-type: none"> • Shielded, stranded in pairs, max. 1200 m • Cable resistance $\leq 125 \Omega/\text{km}$ • Cable cross section $\geq 0.14 \text{ mm}^2$ • Cable capacity $\leq 130 \text{ nF}/\text{km}$ 																																

Interface CL20mA-ID7													
Type of interface	<ul style="list-style-type: none"> • 20 mA current loop, 2 transmission loops • active or passive operation • Signal level 0: 20 mA; Signal level 1: 0 mA • electrical isolation only in passive configuration and up to $U = 30 \text{ VAC}$, $\hat{U} = 42 \text{ V}$, $U = 60 \text{ VDC}$ 												
Interface parameters	<table> <tr> <td>Operating mode</td> <td>Full duplex</td> </tr> <tr> <td>Transmission type</td> <td>bit serial, asynchronous</td> </tr> <tr> <td>Transmission code</td> <td>ASCII</td> </tr> <tr> <td>Data bits</td> <td>7/8</td> </tr> <tr> <td>Parity</td> <td>even, odd, zero, one, none</td> </tr> <tr> <td>Baud rate</td> <td>150, 300, 600, 1200, 2400, 4800, 9600, 19200</td> </tr> </table>	Operating mode	Full duplex	Transmission type	bit serial, asynchronous	Transmission code	ASCII	Data bits	7/8	Parity	even, odd, zero, one, none	Baud rate	150, 300, 600, 1200, 2400, 4800, 9600, 19200
Operating mode	Full duplex												
Transmission type	bit serial, asynchronous												
Transmission code	ASCII												
Data bits	7/8												
Parity	even, odd, zero, one, none												
Baud rate	150, 300, 600, 1200, 2400, 4800, 9600, 19200												
Transmission and/or reception loop passive	<p>One external power source supplies the transmission and/or reception loop</p> <table> <tr> <td>I_{\max}</td> <td>30 mA</td> </tr> <tr> <td>U_{\max}</td> <td>27 V</td> </tr> <tr> <td>Voltage range</td> <td>15 V (+10 % / -0 %)</td> </tr> <tr> <td>Current level</td> <td>18 mA – 24 mA (high level)</td> </tr> <tr> <td>Edge steepness</td> <td>2 – 20 mA/μs</td> </tr> <tr> <td colspan="2">Setting operating mode, see section 8.5</td> </tr> </table>	I_{\max}	30 mA	U_{\max}	27 V	Voltage range	15 V (+10 % / -0 %)	Current level	18 mA – 24 mA (high level)	Edge steepness	2 – 20 mA/ μs	Setting operating mode, see section 8.5	
I_{\max}	30 mA												
U_{\max}	27 V												
Voltage range	15 V (+10 % / -0 %)												
Current level	18 mA – 24 mA (high level)												
Edge steepness	2 – 20 mA/ μs												
Setting operating mode, see section 8.5													
Transmission and/or reception loop active	<p>One internal power source supplies the transmission and/or reception loop</p> <table> <tr> <td>Voltage</td> <td>12 VDC</td> </tr> <tr> <td>Current</td> <td>adjusted to $\pm 2 \text{ mA}$, for transmission and/or reception loop</td> </tr> <tr> <td colspan="2">Setting operating mode, see section 8.5</td> </tr> </table>	Voltage	12 VDC	Current	adjusted to $\pm 2 \text{ mA}$, for transmission and/or reception loop	Setting operating mode, see section 8.5							
Voltage	12 VDC												
Current	adjusted to $\pm 2 \text{ mA}$, for transmission and/or reception loop												
Setting operating mode, see section 8.5													
Socket  External view	7-pin circular connector, socket <table> <tr> <td>Pin 1</td> <td>RXD+, receiver</td> </tr> <tr> <td>Pin 2</td> <td>RXD-, receiver</td> </tr> <tr> <td>Pin 4</td> <td>TXD+, transmitter</td> </tr> <tr> <td>Pin 5</td> <td>TXD-, transmitter</td> </tr> <tr> <td>Pin 7</td> <td>Protective earth</td> </tr> </table>	Pin 1	RXD+, receiver	Pin 2	RXD-, receiver	Pin 4	TXD+, transmitter	Pin 5	TXD-, transmitter	Pin 7	Protective earth		
Pin 1	RXD+, receiver												
Pin 2	RXD-, receiver												
Pin 4	TXD+, transmitter												
Pin 5	TXD-, transmitter												
Pin 7	Protective earth												
Cable	<ul style="list-style-type: none"> • Shielded, stranded pairs • Cable resistance $\leq 125 \Omega/\text{km}$ • Cable cross section $\geq 0.14 \text{ mm}^2$ • Cable capacity $\leq 130 \text{ nF}/\text{km}$ • Max. 1000 m for baud rates up to 4800 baud • Max. 600 m for 9600 baud • Max. 300 m for 19200 baud 												

Interface 4 I/O-ID7																																													
Digital inputs/outputs	<ul style="list-style-type: none"> • 4 digital inputs, electrically isolated, I = 5 mA (internal current limiting) • 4 digital outputs, electrically isolated, open collector • I_{max} = 20 mA per output • I_{max total} = 80 mA for interface 4 I/O-ID7 																																												
Supply voltage	Internal 12 V (I _{max} = 80 mA), external 5 V – 36 V																																												
Signal level	<ul style="list-style-type: none"> • Logical 0 = not supplied with current • Logical 1 = supplied with current 																																												
Socket  <p style="text-align: center;">External view</p>	19-pin circular connector, socket 4 I/O-ID7 Pin A, L +24 V, max. 80 mA Pin B output 1, max. 20 mA Pin C output 2, max. 20 mA Pin D output 3, max. 20 mA Pin E output 4, max. 20 mA Pin M, U 0 V Pin N input 1 Pin O input 2 Pin P input 3 Pin R input 4 <table border="0"> <thead> <tr> <th style="text-align: left;">Cable</th> <th style="text-align: left;">00 504 458</th> <th style="text-align: left;">4-ID7 relay box</th> <th style="text-align: left;">terminal 1</th> </tr> </thead> <tbody> <tr> <td>black</td> <td>24 V</td> <td>Pin 7, 8</td> <td></td> </tr> <tr> <td>white</td> <td>OUT 0</td> <td>Pin 4</td> <td></td> </tr> <tr> <td>brown</td> <td>OUT 1</td> <td>Pin 3</td> <td></td> </tr> <tr> <td>green</td> <td>OUT 2</td> <td>Pin 2</td> <td></td> </tr> <tr> <td>yellow</td> <td>OUT 3</td> <td>Pin 1</td> <td></td> </tr> <tr> <td>violet</td> <td>0 V</td> <td>Pin 5, 6</td> <td></td> </tr> <tr> <td>gray/pink</td> <td>IN 0</td> <td>Pin 12</td> <td></td> </tr> <tr> <td>red/blue</td> <td>IN 1</td> <td>Pin 11</td> <td></td> </tr> <tr> <td>white/green</td> <td>IN 2</td> <td>Pin 10</td> <td></td> </tr> <tr> <td>brown/green</td> <td>IN 3</td> <td>Pin 9</td> <td></td> </tr> </tbody> </table>	Cable	00 504 458	4-ID7 relay box	terminal 1	black	24 V	Pin 7, 8		white	OUT 0	Pin 4		brown	OUT 1	Pin 3		green	OUT 2	Pin 2		yellow	OUT 3	Pin 1		violet	0 V	Pin 5, 6		gray/pink	IN 0	Pin 12		red/blue	IN 1	Pin 11		white/green	IN 2	Pin 10		brown/green	IN 3	Pin 9	
Cable	00 504 458	4-ID7 relay box	terminal 1																																										
black	24 V	Pin 7, 8																																											
white	OUT 0	Pin 4																																											
brown	OUT 1	Pin 3																																											
green	OUT 2	Pin 2																																											
yellow	OUT 3	Pin 1																																											
violet	0 V	Pin 5, 6																																											
gray/pink	IN 0	Pin 12																																											
red/blue	IN 1	Pin 11																																											
white/green	IN 2	Pin 10																																											
brown/green	IN 3	Pin 9																																											
Total load of all outputs voltages	Max. 80 mA																																												
Cable	<ul style="list-style-type: none"> • 16 wires • Cross section 0.25 mm² • Max. cable length 10 m 																																												

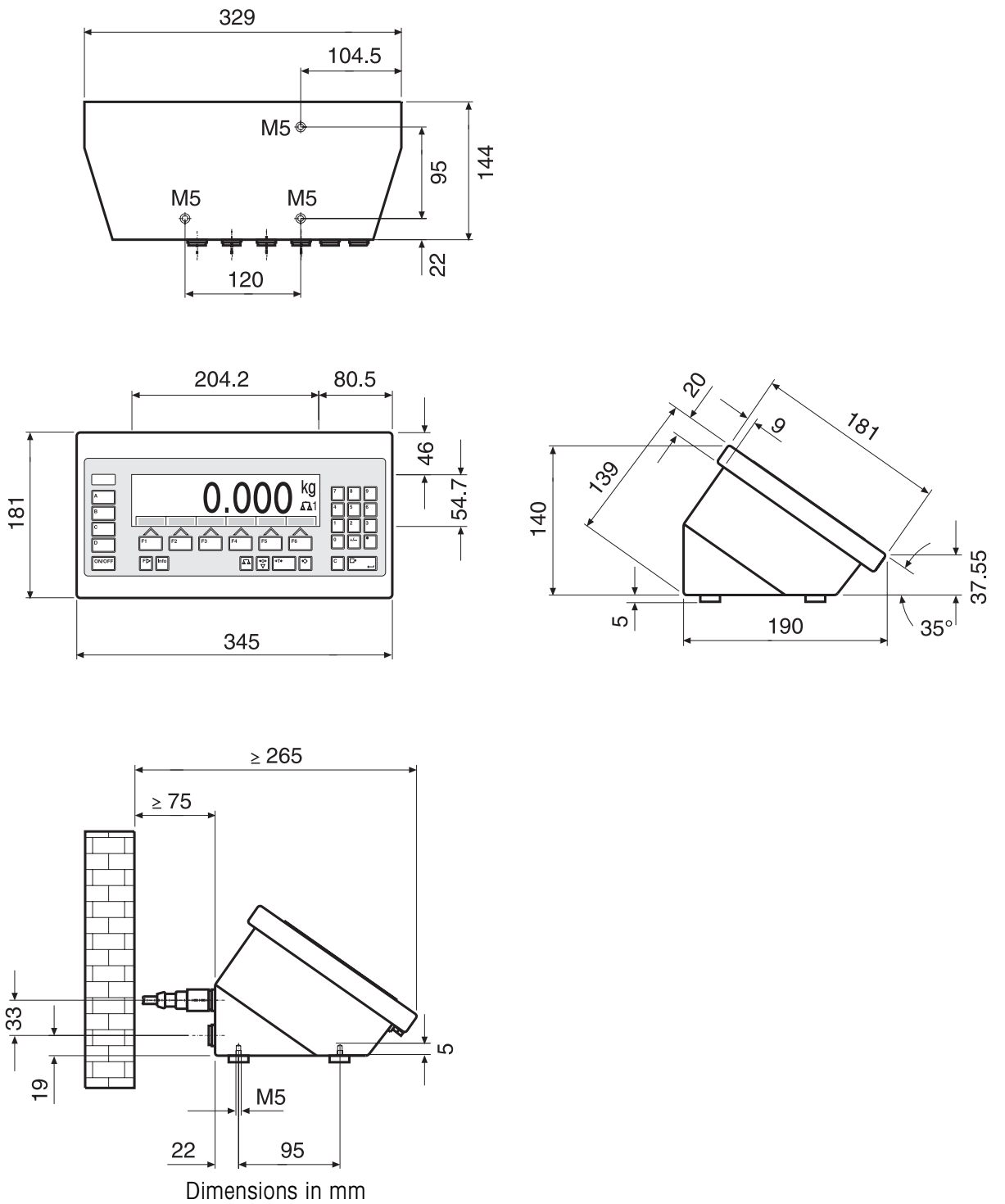
Interface Analog Output-ID7																					
Digital-Analog converter	For outputting analog direct voltage or DC current signals																				
Analog voltage output	V_{out} 0 – 10 V (4095 Parts) Start and stop value of output voltage and output weight value freely selectable R_{Vout} >10 k Ω Cable max. 10 m																				
Analog current output	I_{out} 0 – 20 mA (4095 Parts) 4 – 20 mA (3275 Parts) Start and stop value of output current and output weight value freely selectable R_{Iout} <250 Ω Cable max. 50 m																				
Characteristics	Resolution 12-bit Accuracy +/- 1 % (current/voltage) Update rate 5 per second																				
Application	All data present in a valid weight unit can be used as a data basis for the analog output.																				
Socket	5-pin circular connector, socket <div style="display: flex; justify-content: space-between;"> <div style="text-align: center;">  <p>External view</p> </div> <div style="width: 80%;"> <p>Analog Output-ID7</p> <table border="0"> <tr> <td>Pin 1</td> <td>V out</td> <td>analog output voltage</td> <td>Wire colors green</td> </tr> <tr> <td>Pin 2</td> <td>0 V (V out)</td> <td>reference potential</td> <td>yellow</td> </tr> <tr> <td>Pin 3</td> <td>I out +</td> <td>analog current output, positive</td> <td>brown</td> </tr> <tr> <td>Pin 4</td> <td>I out -</td> <td>analog current output, negative</td> <td>pink</td> </tr> <tr> <td>Pin 5</td> <td>0 V(V out)</td> <td>reference potential</td> <td>white</td> </tr> </table> </div> </div> <p style="text-align: right;">Cable 00 204 930</p>	Pin 1	V out	analog output voltage	Wire colors green	Pin 2	0 V (V out)	reference potential	yellow	Pin 3	I out +	analog current output, positive	brown	Pin 4	I out -	analog current output, negative	pink	Pin 5	0 V(V out)	reference potential	white
Pin 1	V out	analog output voltage	Wire colors green																		
Pin 2	0 V (V out)	reference potential	yellow																		
Pin 3	I out +	analog current output, positive	brown																		
Pin 4	I out -	analog current output, negative	pink																		
Pin 5	0 V(V out)	reference potential	white																		

Alibi Memory-ID7	
Storage of certification-relevant weighing data	<ul style="list-style-type: none"> • Paperless archiving of certification-relevant weighing data • Capacity: 580,159 data records with net weight, tare weight, date and time • Convenient search function • Ring data buffer which overwrites the oldest data record when the memory capacity is exceeded

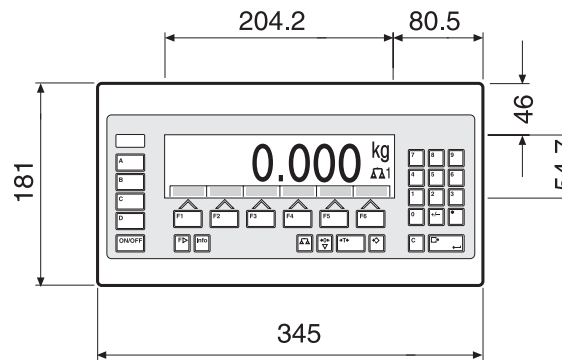
Ethernet-ID7	
I/O Com server	See enclosed documentation of manufacturer
Socket  External view	16-pin circular connector, socket Pin 1 TX+ Pin 2 TX- Pin 4 RX- Pin 12 RX+

Profibus-DP-ID7 field bus module	
Connection to field bus	<ul style="list-style-type: none"> • RS485-DP connection via removable Mini-Combicon terminal bar • 2 EMC cable entry fittings for incoming or outgoing field bus cable with a diameter of 7 – 10 mm • When installing in ID7xx, ensure a strain relief ≥ 100 N.
Baud rate	Up to 12 Mbit/s
Matching resistor	Connectable via 3 DIP switches
Node address	Adjustable to between 0 and 126 in master mode Factory setting: 126
Date width	<ul style="list-style-type: none"> • 2 IN and 2 OUT words, consistent for 2 words • 4 IN and 4 OUT words, consistent for 2 words • 8 IN and 8 OUT words, consistent for 1 word
Status displays	4 status LEDs provide information on operating state

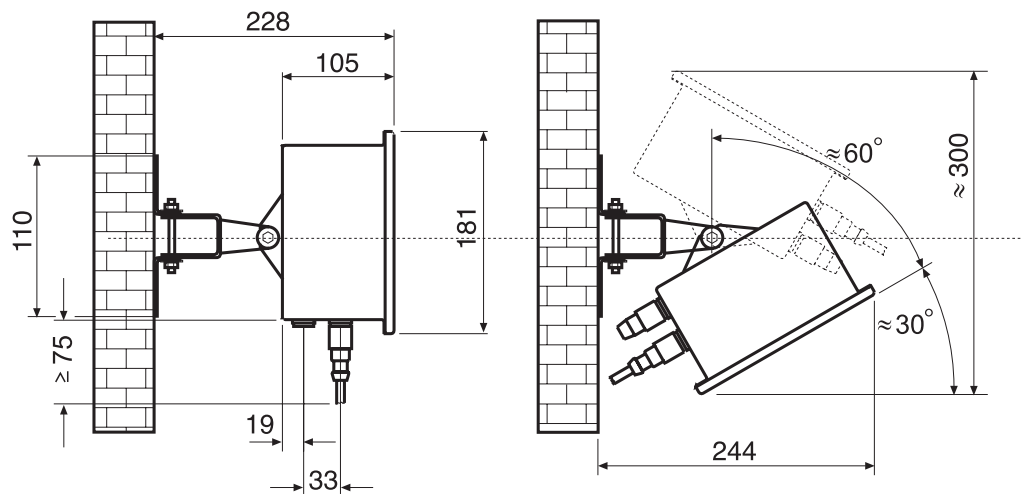
Dimensions ID7-Desk



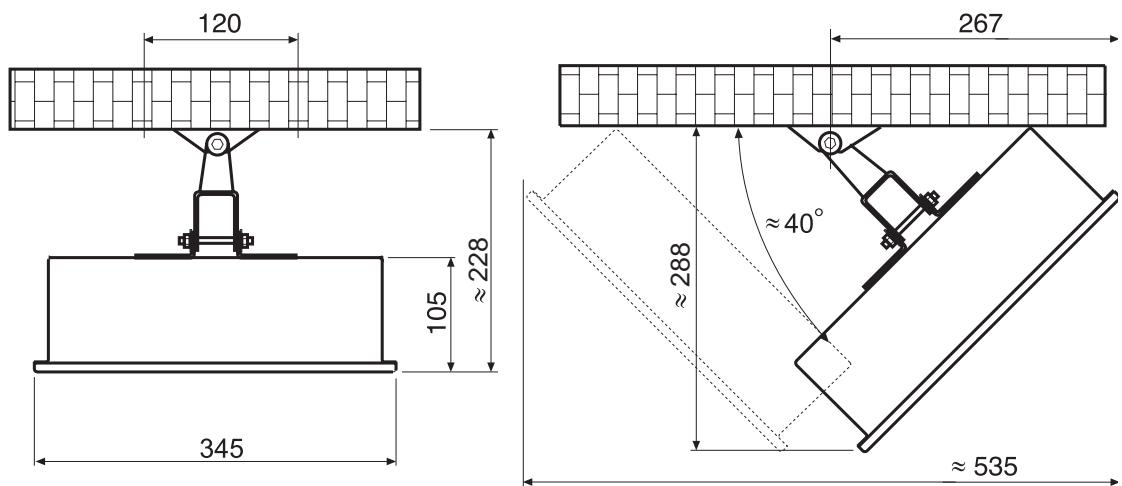
Dimensions ID7-Wall



Side view

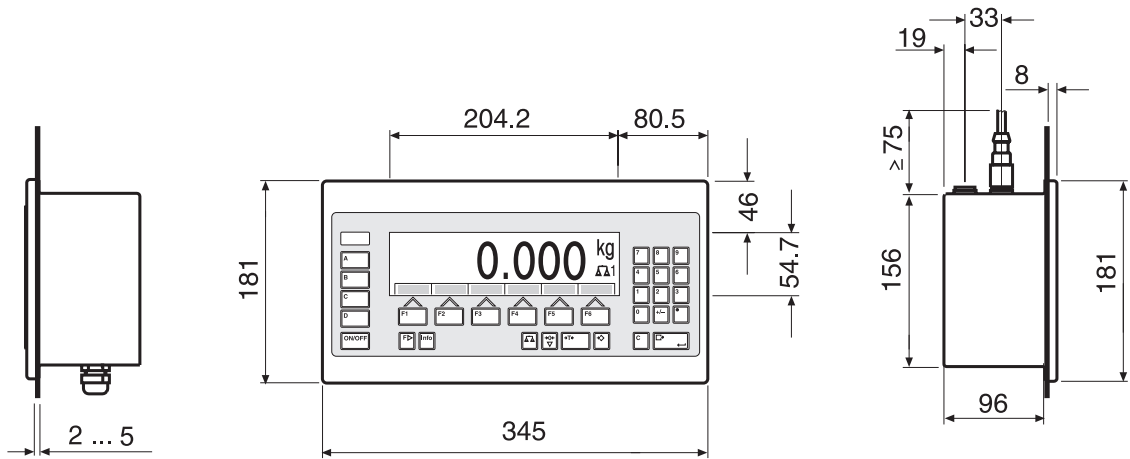


View from above

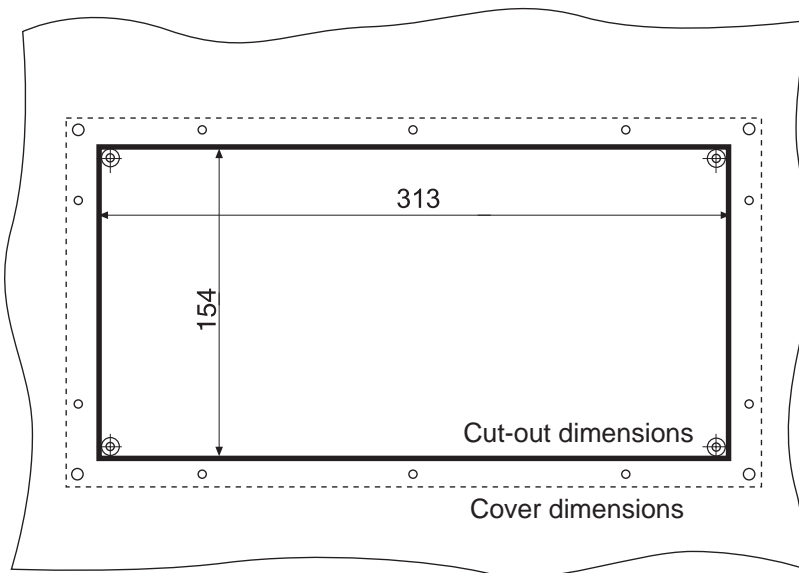


Dimensions in mm

Dimensions ID7-Panel



Cut-out on
switch cabinet



Dimensions in mm

7.2 Accessories

Weighing platform connections		Order No.
IDNet ID7	<ul style="list-style-type: none"> • Connection for an IDNet weighing platform • Max. of 2 additional connections possible 	22 001 082
Analog Scale ID7	<ul style="list-style-type: none"> • Connection for a weighing platform with an analog signal output • Max. of 2 additional connections possible 	22 001 083
LC IDNet R/G	Connection set for connecting METTLER TOLEDO R/G scales to IDNet connection of ID7-Sys	00 229 110
LC IDNet B	Connection set for connecting METTLER TOLEDO B scales to IDNet connection of ID7-Sys	00 229 225
GD17	Connection set for connecting DigiTOL scales to IDNet connection of ID7-Sys	00 507 073

Serial data interfaces		Order No.
CL20mA-ID7	CL 20 mA interface	22 001 084
Accessories for CL20mA-ID7	CL cable, 3 m	00 503 749
	Mating connector, 7-pin	00 503 745
	Second-display cable CL20mA-ID7 – ID1 Plus/ID3s/ID7, 10 m	00 504 511
	Extension cable for second display, 10-pin, 10 m	00 504 134
	Adapter cable PE / CL, 0.3 m	22 003 029
RS232-ID7	RS232 interface	22 001 085
Accessories for RS232-ID7	RS232 cable/DTE, 3 m	00 503 754
	RS232 cable/DCE, 3 m	00 503 755
	RS232 cable/PC, 3 m	00 504 374
	RS232 cable/9-pin, 3 m	00 504 376
	Mating connector, 8-pin	00 503 756
RS422-ID7	RS422 interface, electrically isolated	22 003 031
RS485-ID7	RS485 interface, electrically isolated	22 001 086
Accessories for RS422-ID7/RS485-ID7	RS422/485 cable, 6-pin, open end, 3 m	00 204 933
	Mating connector, 6-pin	00 204 866
	Extension cable, 10 m	00 204 847

Serial data interfaces		Order No.
8-ID7 relay box	8 digital inputs, 8 digital outputs, for connection to RS485-ID7	22 001 089
Accessories for 8-ID7 relay box	RS422/485 cable, 6-pin, open end, 3 m Power supply unit for 8-ID7 relay box, 24 V DC Extension cable, 10 m	00 204 933 00 505 544 00 204 847

Digital inputs/outputs		Order No.
4 I/O-ID7	4 digital inputs, 4 digital outputs	22 001 087
4-ID7 relay box	Relay box for 4 I/O-ID7; 4 digital inputs, 4 digital outputs, for connection to 4 I/O-ID7	22 001 088
Accessories for 4-ID7 relay box	Cable for 4 I/O-ID7, 19-pin, open end, 10 m Mating connector, 19-pin	00 504 458 00 504 461
8-ID7 relay box	8 digital inputs, 8 digital outputs, for connection to RS485-ID7	22 001 089
Accessories for 8-ID7 relay box	RS422/485 cable, 6-pin, open end, 3 m Power supply unit for 8-ID7 relay box, 24 V DC	00 204 933 00 505 544

Digital/analog interface		Order No.
Analog Output-ID7	Digital/analog output 0 – 10 V, 0 – 20 mA or 4 – 20 mA	22 001 090
Accessories for Analog Output-ID7	Cable for Analog Output-ID7, 5-pin, 3 m Mating connector, 5-pin	00 204 930 00 205 538

Alibi memory		Order No.
Alibi Memory-ID7	Paperless archiving of certification-relevant weighing data	22 001 663

Network connections		Order No.
Ethernet ID7	Network card	22 003 694
Connection cable for ID7 to Ethernet network	Twisted-pair cable, 16-pin, RJ45 5 m	00 205 247
	Twisted-pair cable, 16-pin, RJ45 20 m	00 208 152
Profibus-DP-ID7	Field bus card	22 004 940

Printer		Order No.
GA46	Printer in separate tabletop housing of nickel chromium steel, protection type IP21 Printing of weighing data and barcodes on 62 mm wide thermal paper Interface RS232, cable approx. 2.5 m For technical details see data sheet GA46	00 505 471
GA46/0.4 m	As for GA46, however with 0.4 m cable	00 507 229
GA46-W	As for GA46, however with integrated paper winding device and transparent PVC cover Protection type IP65	00 505 799
GA46-W/0.4 m	As for GA46-W, however with 0.4 m cable	00 507 230
Accessories for GA46	ID7-GA46 adapter plate Protective cover for GA46	00 208 264 00 507 224

External keypad		Order No.
AK-MFII	Compact, alphanumeric membrane keypad for connection to the standard-equipment 5-pin MFII circular connector Housing of all nickel chromium steel, protection type IP65 Dimensions (W x D x H): 380 mm x 158 mm x 30 mm Cable approx. 1 m	00 505 490
Accessories for AK-MFII	Keypad-terminal adapter	00 208 047

Other accessories		Order No.
Protective covers	Elastic, transparent protective keyboard film, 3 pieces	22 001 091
Wall bracket	black, plastic-coated completely rust-proof	00 504 129 00 504 130
Floor stand	black, plastic-coated completely rust-proof	00 504 131 00 504 132
Stand socket	black, plastic-coated completely rust-proof	00 503 700 00 503 701
Bracket stand	black, plastic-coated completely rust-proof	00 504 127 00 504 128

8 Appendix

8.1 ASCII table

hex	deci	ASCII US	hex	deci	ASCII US	hex	deci	ASCII US	hex	deci	ASCII US	hex	deci	ASCII US
00	0	NUL	34	52	4	68	104	h	9C	156	₤	D0	208	⌘
01	1	SOH	35	53	5	69	105	i	9D	157	¥	D1	209	⌘
02	2	STX	36	54	6	6A	106	j	9E	158	₭	D2	210	⌘
03	3	ETX	37	55	7	6B	107	k	9F	159	f	D3	211	⌘
04	4	EOT	38	56	8	6C	108	l	A0	160	á	D4	212	⌘
05	5	ENQ	39	57	9	6D	109	m	A1	161	í	D5	213	⌘
06	6	ACK	3A	58	:	6E	110	n	A2	162	ó	D6	214	⌘
07	7	BEL	3B	59	;	6F	111	o	A3	163	ú	D7	215	⌘
08	8	BS	3C	60	<	70	112	p	A4	164	ñ	D8	216	⌘
09	9	HT	3D	61	=	71	113	q	A5	165	Ñ	D9	217	⌘
0A	10	LF	3E	62	>	72	114	r	A6	166	ª	DA	218	⌘
0B	11	VT	3F	63	?	73	115	s	A7	167	º	DB	219	■
0C	12	FF	40	64	@	74	116	t	A8	168	¿	DC	220	■
0D	13	CR	41	65	A	75	117	u	A9	169	ƒ	DD	221	■
0E	14	SO	42	66	B	76	118	v	AA	170	ƒ	DE	222	■
0F	15	SI	43	67	C	77	119	w	AB	171	½	DF	223	■
10	16	DLE	44	68	D	78	120	x	AC	172	¼	E0	224	α
11	17	DC1	45	69	E	79	121	y	AD	173	ı	E1	225	β
12	18	DC2	46	70	F	7A	122	z	AE	174	«	E2	226	Γ
13	19	DC3	47	71	G	7B	123	{	AF	175	»	E3	227	Π
14	20	DC4	48	72	H	7C	124		B0	176	▒	E4	228	Σ
15	21	NAK	49	73	I	7D	125	}	B1	177	▒	E5	229	σ
16	22	SYN	4A	74	J	7E	126	~	B2	178	▒	E6	230	μ
17	23	ETB	4B	75	K	7F	127	⌣	B3	179		E7	231	τ
18	24	CAN	4C	76	L	80	128	reserved	B4	180		E8	232	φ
19	25	EM	4D	77	M	81	129	ü	B5	181		E9	233	θ
1A	26	SUB	4E	78	N	82	130	é	B6	182		EA	234	Ω
1B	27	ESC	4F	79	O	83	131	â	B7	183		EB	235	ø
1C	28	FS	50	80	P	84	132	ä	B8	184		EC	236	∞
1D	29	GS	51	81	Q	85	133	à	B9	185		ED	237	∅
1E	30	RS	52	82	R	86	134	ã	BA	186		EE	238	ε
1F	31	US	53	83	S	87	135	ç	BB	187		EF	239	∩
20	32	SP	54	84	T	88	136	ê	BC	188		F0	240	≡
21	33	!	55	85	U	89	137	ë	BD	189		F1	241	±
22	34	"	56	86	V	8A	138	è	BE	190		F2	242	≥
23	35	#	57	87	W	8B	139	ï	BF	191		F3	243	≤
24	36	\$	58	88	X	8C	140	î	C0	192		F4	244	∫
25	37	%	59	89	Y	8D	141	ì	C1	193		F5	245	∫
26	38	&	5A	90	Z	8E	142	Ä	C2	194		F6	246	÷
27	39	'	5B	91	[8F	143	Å	C3	195		F7	247	≈
28	40	(5C	92	\	90	144	É	C4	196		F8	248	°
29	41)	5D	93]	91	145	æ	C5	197		F9	249	•
2A	42	*	5E	94	^	92	146	Æ	C6	198		FA	250	·
2B	43	+	5F	95	_	93	147	ô	C7	199		FB	251	√
2C	44	,	60	96	`	94	148	ö	C8	200		FC	252	∞
2D	45	-	61	97	a	95	149	ò	C9	201		FD	253	²
2E	46	.	62	98	b	96	150	û	CA	202		FE	254	.
2F	47	/	63	99	c	97	151	ù	CB	203		FF	255	
30	48	0	64	100	d	98	152	ÿ	CC	204				
31	49	1	65	101	e	99	153	Ö	CD	205				
32	50	2	66	102	f	9A	154	Ü	CE	206				
33	51	3	67	103	g	9B	155	ç	CF	207				

8.2 Opening/closing ID7-Sys weighing terminal



CAUTION

- The ID7-Sys weighing terminal may only be opened by authorized personnel!
- Always pull the mains plug before opening the unit.

Opening

- ID7-Desk**
1. Unscrew the screws on the underside of the cover.
 2. Lay down the cover toward the front. When doing so, make sure that the cables are not damaged.
- Wall unit**
1. Unscrew the screws on the underside of the cover and fold the cover toward the front. When doing so, make sure that the cables are not damaged.
 2. Fold open the mounting plate.
- Panel unit**
1. Unscrew the 10 hex bolts on cut-out on the inside of the switch cabinet.
 2. Remove the cover from the switch cabinet and fold toward the front. When doing so, make sure that the cables are not damaged.
 3. Fold open the mounting plate.

Closing

- ID7-Desk**
1. Lay device on cover and fix slightly in place with 3 screws.
 2. Press unit into cover so that 3 engaging springs engage.
 3. Tighten the cover with 3 screws.



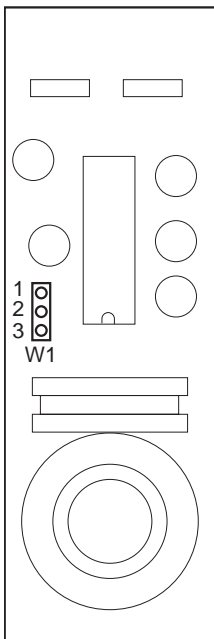
CAUTION

The IP68 protection type is only ensured when the weighing terminal is properly closed again.

- The 3 engaging springs must be completely engaged.
- Make sure that keypad cable is not pinched.

- ID7-Wall**
1. Fold in the mounting plate.
 2. Position the cover and screw on again. When doing so, make sure that no cables are pinched.
- ID7-Panel**
1. Fold in the mounting plate and position the cover on the cut-out again.
 2. Secure the cover on the switch cabinet from the inside with 10 screws. When doing so, make sure that no cables are pinched.

8.3 Configuring Pin 5 on RS232-ID7 interface



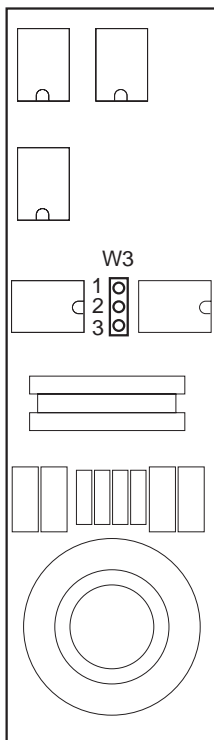
Pin 5 of the RS232-ID7 interface can be configured for the connection of devices which require a 12 V supply voltage (with COM2 – COM6 only).

1. Open weighing terminal.
2. Change position of jumper W1 on RS232-ID7 board.

Jumper W1	Voltage at Pin 5
Pin 1 and 2 (factory setting)	5 V
Pin 2 and 3	12 V

3. Close weighing terminal again.

8.4 Reconfiguring RS422-ID7 interface / RS485-ID7 interface



The hardware of the RS422-ID7 interface and RS485-ID7 interface differ only with regard to the position of the plug-in jumper W3.

1. Open weighing terminal.
2. Change position of jumper W3 on the interface board.

Jumper W3	Operating mode
Pin 1 and 2	RS422 full duplex (4-wire connection)
Pin 2 and 3	RS485 half duplex (2-wire connection)

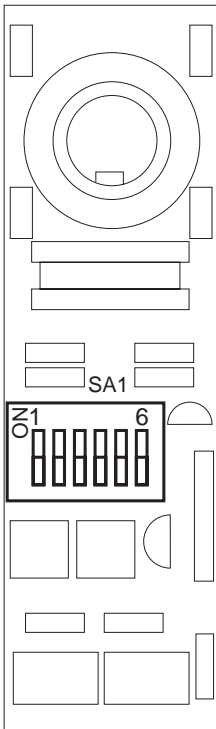
3. Close weighing terminal again.

8.5 Setting operating mode with CL20mA-ID7 interface

The CL20mA-ID7 interface can be operated with either an active or a passive transmission and reception loop.

Factory setting: Passive transmission and reception loop

1. Open weighing terminal.
2. Set desired operating mode with DIL switch SA1 on CL20mA-ID7 PCB.

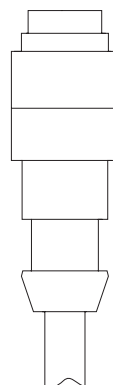
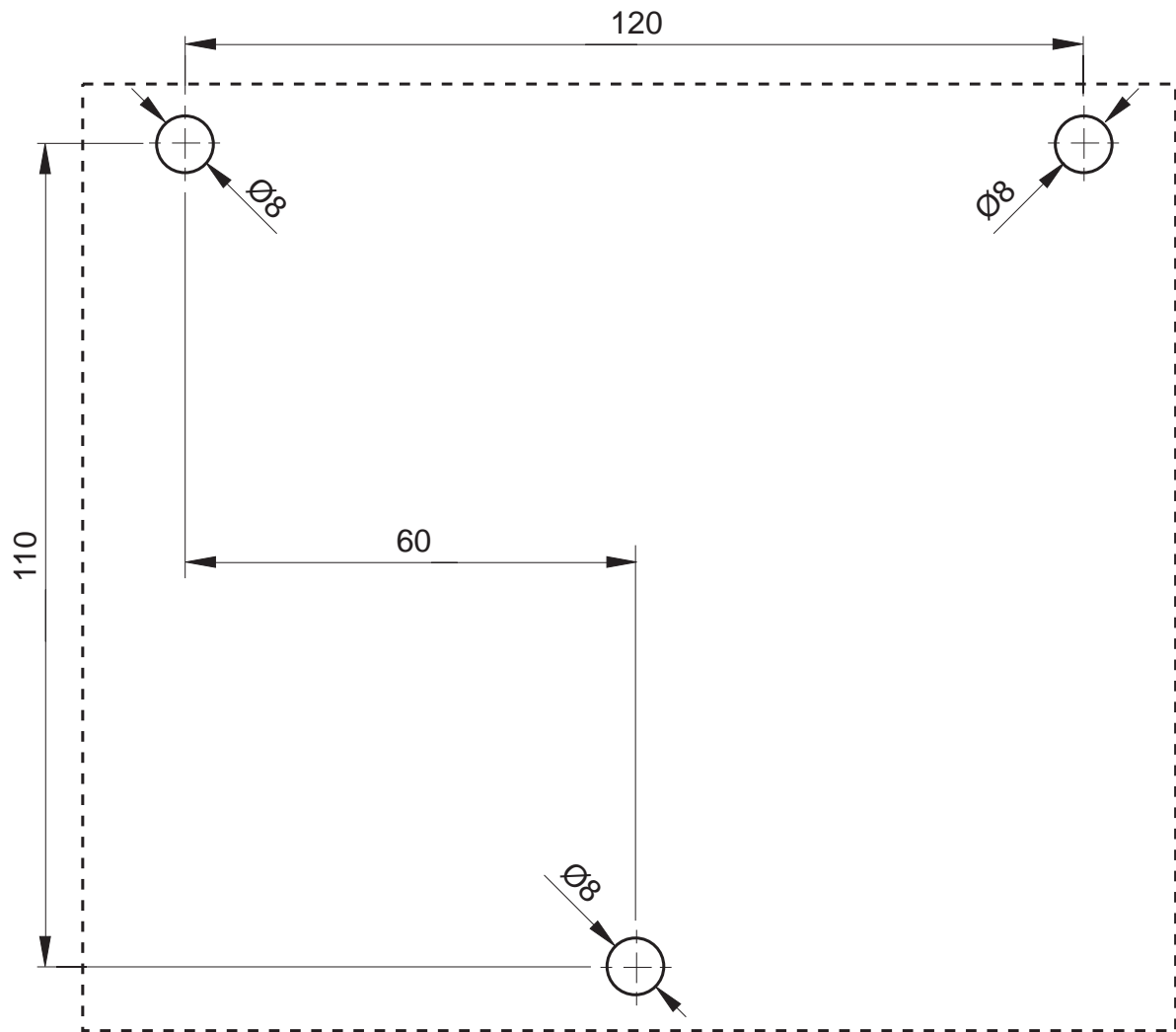


Operating mode	SA1-1	SA1-2	SA1-3	SA1-4	SA1-5	SA1-6
TXD passive, RXD passive (factory setting)	on	on	off	off	off	off
TXD active, RXD active	off	off	on	on	on	on
TXD passive, RXD active	off	on	on	on	off	off
TXD active, RXD passive	on	off	off	off	on	on

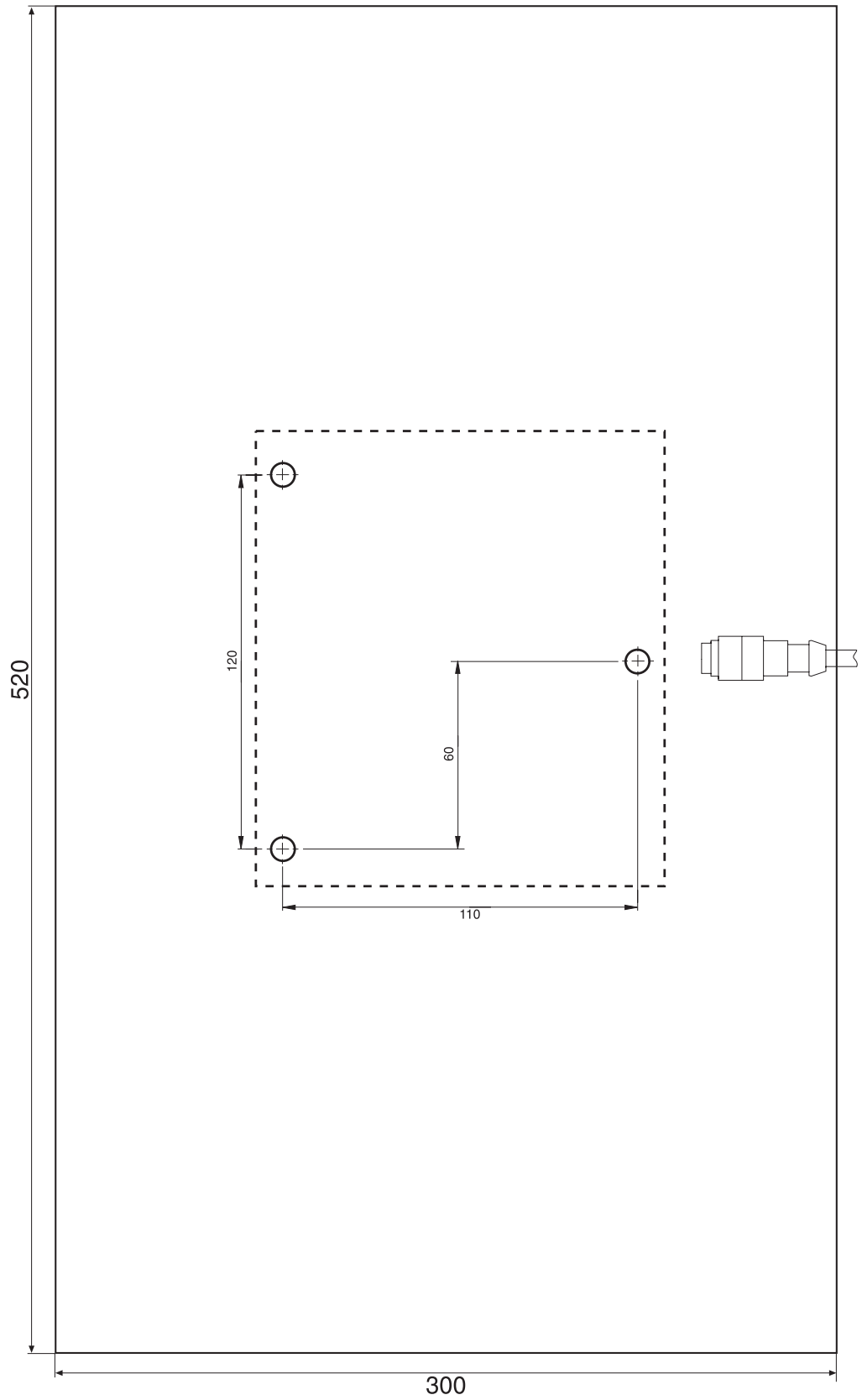
3. Close weighing terminal again.

8.6 Drilling template for wall mounting

→ Cut the drilling template out of these instructions.



Space needed



9 Index

A

Accessories 68
 Additional functions 24
 Alibi Memory-ID7 7, 27, 37, 69
 Alphanumeric identification 32
 Alphanumeric keypad 26, 70
 Analog Output-ID7 6, 69
 Applications 3
 ASCII characters 71
 Autozero 21, 36

B

Barcode 37, 38
 Basic functions 21
 Big Weight Display 4

C

Certified weighing platforms 18
 Cleaning 20
 Commissioning 8
 Connect weighing platforms 12
 Connections 6

D

Date 34, 58
 Digital inputs/outputs 6, 69
 Digital/analog interface 6, 69
 Display 4, 7, 57

E

Error messages 54
 Ethernet-ID7 6
 External keypad 26, 33, 70

F

FTP Client 43
 Function keys 4, 24, 57
 FX880 39

G

GA46 37, 70

H

Housing 57

I

ID code 19, 24
 Interface 4 I/O-ID7 6, 37, 38, 62
 Interface Analog Output-ID7 63

Interface CL20mA-ID7 6, 61
 Interface connections 6, 37, 57
 Interface RS232-ID7 6, 59
 Interface RS422-ID7 6
 Interface RS485-ID7 6, 60
 Introduction 3
 IO test 39

K

Keypad 5, 57

L

Language 33

M

Master mode 30

P

Personal code 34
 Power supply 18

R

Recall information 25
 Representable characters 71
 Reset scale 35
 Reset terminal 33
 Restart 36

S

Safety precautions 3
 Second display 68
 Serial (RS232, CL, RS422/485) 38
 Service mode 46
 Set zero 21, 58
 Stability detector 36
 Switch off 21
 Switch on 21
 Switch over weighing platform 23

T

Tare 22, 58
 TCP/IP client 40
 Technical data 57
 Terminal 57
 Test 58
 Test weighing platform 24
 Time 34, 58

V

Vibration adapter 36, 58

W

Weighing 22
 Weighing functions 58
 Weighing platform connections 57, 68
 Weighing process adapter 35, 58
 What to do if...? 54



22005861B

Subject to technical changes © Mettler-Toledo (Albstadt) GmbH 01/10 Printed in Germany 22005861B

Mettler-Toledo (Albstadt) GmbH

D-72458 Albstadt

Tel. ++49-7431-14 0, Fax ++49-7431-14 232

Internet: <http://www.mt.com>