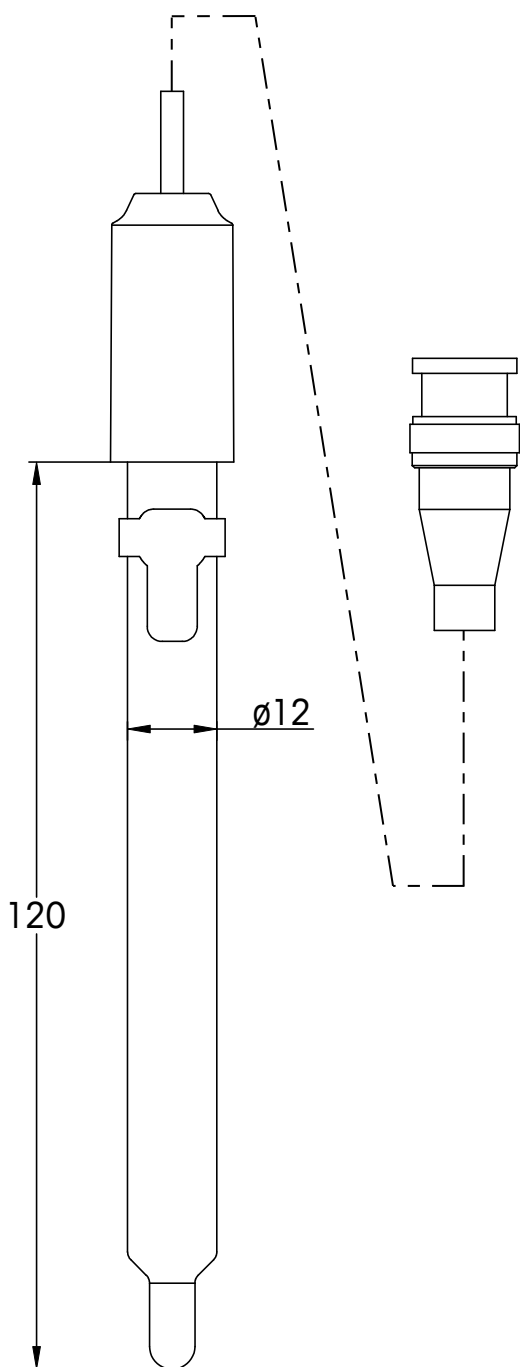


LE409

For general laboratory applications;
fast and highly chemical resistant

pH Ref °C ISM



Sensor type combined pH electrode

Order number 51340331

Specifications

pH range 0...14
zero point (pH) 7.00 ± 0.25

temperature range 0...80 °C
temperature probe -

shaft material glass
membrane glass HA
membrane resistance < 600MΩ

reference system Ag / AgCl
reference diaphragm ceramic
reference electrolyte 3 mol/L KCl AgCl sat.
bridge electrolyte -

electrode head -
cable length 1.0 m
connector BNC

cell constant (cm⁻¹) -
cell type -

indicating metal -

Storage

3M KCl (51350072)