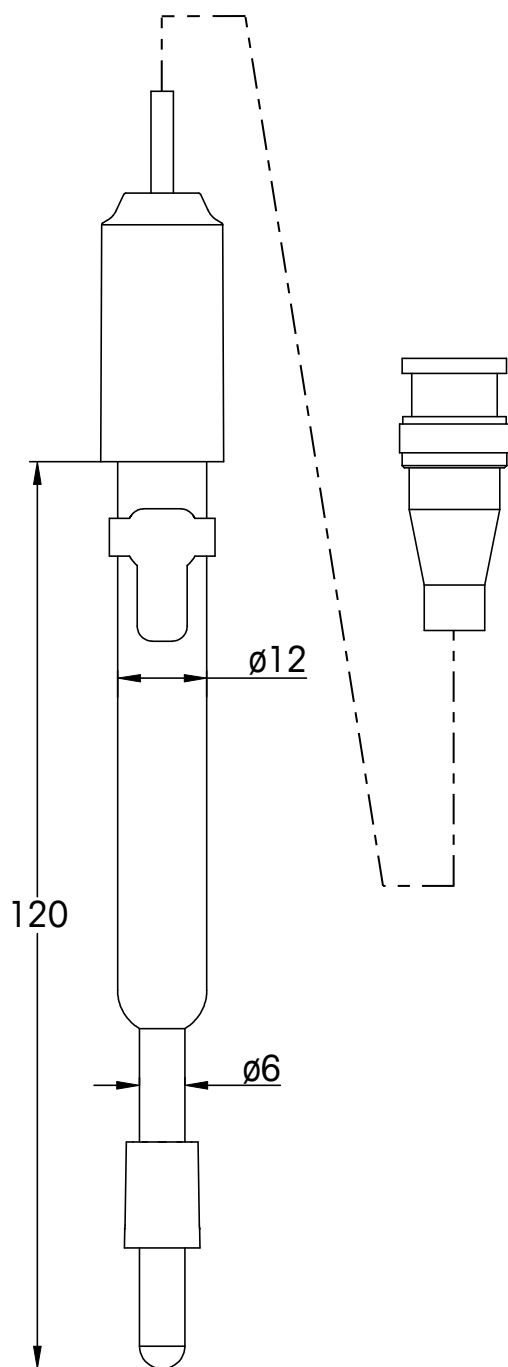


LE420

pH Ref °C ISM



For demanding samples such as waste water, emulsions, oily samples; refillable electrolyte



Sensor type	combined pH electrode
Order number	51340332
Specifications	
pH range	0...14
zero point (pH)	7.00 ± 0.25
temperature range	0...80 °C
temperature probe	-
shaft material	glass
membrane glass	HA
membrane resistance	< 600MΩ
reference system	Ag / AgCl
reference diaphragm	movable PTFE sleeve
reference electrolyte	3 mol/L KCl
bridge electrolyte	-
electrode head	-
cable length	1.0 m
connector	BNC
cell constant (cm ⁻¹)	-
cell type	-
indicating metal	-
Storage	
3M KCl (51350072)	