

Bench Scale



BBA236 Bench Scale

Stainless steel construction

Capacities from 10 to 250 lbs

OIML and NTEP approved

Intuitive operation

Large, bright display



Reliable, Cost-Effective Weighing
Durable in Demanding Applications

METTLER TOLEDO

The Economical Solution Designed for Challenging Environments

The BBA236 stainless-steel scale is a robust and cost-effective scale for versatile use in any dry and splashing liquid industrial environment.

As a true one-for-all solution, the BBA236 is designed for a wide range of weighing tasks. It is a cost-effective choice for out-of-the-box straight weighing, over/under checkweighing, counting with average piece-weight optimization, totalizing and animal-weighing applications.

The simple menu configuration setup is straightforward and intuitive making the multitude of the BBA236 available functions easy to use. It requires minimal operator training and measurably improves production efficiency.

The BBA236 terminal includes an RS232 interface for communication to a printer or PC. An optional built-in rechargeable battery is available to allow mobile operation.

Innovative and user friendly

In addition to the 5 tactile and responsive standard keys (On/Off, Zero, Tare, Clear, Print) the BBA236 features two freely definable function keys (F1 and F2). These allow for fast and easy switching between different available functions.

Easy to clean

The open, sturdy and straight-forward platform design allows for efficient cleaning and helps to reduce possible bacterial contamination.

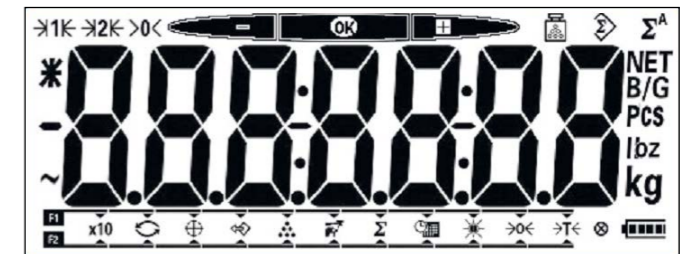


Highly visible display

For excellent readability under any light condition, the BBA236 scale features a large, 60mm high LCD-display with an adjustable white backlight.

Immediate status indication

Over/under checkweighing is performed easily and accurately with immediate status indication. Target-weight setup is simple, providing improved overall process accuracy.



Full control at all times

All functions (directly selected over the function keys) and current scale status are always in easy sight, providing a good overview for ergonomic operation.

Excellent overload protection

Optimally placed and specifically adjusted overload stops provide the best possible protection against load cell damage. Easily adjustable feet allow for reliable and precise scale leveling.



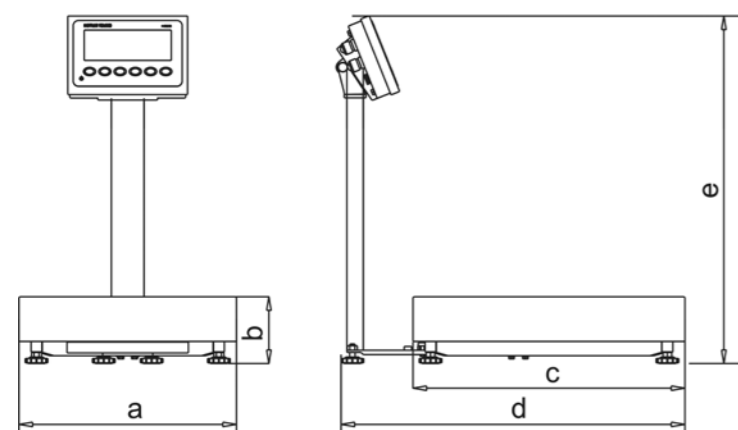
Technical Specifications

Standard Configurations

Model	Platform size	Maximum weighing capacity					Cable length
BBA236-5QA	228 x 228 mm 9" x 9"	6 kg 10 lb					1.5 m 4.9 ft
BBA236-5A	240 x 300 mm 9.5" x 11.8"	6 kg 10 lb	15 kg 25 lb				1.5 m 4.9 ft
BBA236-5QB	305 x 305 mm 12" x 12"		15 kg 25 lb	30 kg 50 lb	60 kg 100 lb		2 m 6.5 ft
BBA236-5BB	300 x 400 mm 11.8" x 15.7"			30 kg 50 lb	60 kg 100 lb		2 m 6.5 ft
BBA236-5B	400 x 500 mm 15.7" x 19.7"			30 kg 50 lb	60 kg 100 lb	150 kg 250 lb	3 m 9.8 ft
Approved resolution Class III single range - 1x3,000e / 1x5,000d							
Approved readability(e min)		2 g 0.002 lb	5 g 0.005 lb	10 g 0.01 lb	20 g 0.02 lb	50 g 0.05 lb	
Minimum capacity		40 g 0.04 lb	100 g 0.1 lb	200 g 0.2 lb	400 g 0.4 lb	1,000 g 1 lb	
Weigh & Measure general thresholds							
Preload range	[%]	18% of Maximum capacity					
Zero setting range	[%]	2% of Maximum capacity					
Taring range	[kg]	Subtractive from 0 to Maximum capacity					
Temperature range	[°C]	-10°C...+40°C					

*Only OIML Approval, no NTEP/CM

Dimensions



Dimensions		a	bmin	c	d	emin
BBA236-5QA	mm	228	85.6	228	365	490
	inch	8.98	3.37	8.98	14.37	19.29
BBA236-5A	mm	240	85.6	300	435	490
	inch	9.45	3.37	11.81	17.13	19.29
BBA236-5QB	mm	305	96.6	305	440	490
	inch	12.01	3.8	12.01	17.32	19.29
BBA236-5BB	mm	300	96.6	400	525	490
	inch	11.81	3.8	15.75	20.67	19.29
BBA236-5B	mm	400	100.1	500	645	820
	inch	15.75	3.94	19.69	25.39	32.28

General Specifications

Display	7-digit, 7-segment LCD display with white backlight Heights: 60mm Stabilization time <1 sec.	
Approvable resolution	OIML Class III, 3000e / NTEP 5000d	
Resolution typ.	15 000d	
Power Supply	85...264 VAC, 50/60 Hz	
Rechargeable Battery	Built-in metal hydrid rechargeable battery pack, for >80 hours stand alone operation (optional)	
Units of measure	kg, lb, g, oz	
Data Interface	RS232	
Ingress Protection	Indicator	IP66/IP67
	Platform/Load cell	IP65
Material	Indicator Housing	Stainless steel AISI304
	Platform Frame	Stainless steel AISI304
	Load Plate & Column	Stainless steel AISI304
Load Cell	Aluminium, Potted	
Applications	Straight weighing, over/under checkweighing, counting, totalizing, animal weighing	
Features	Date and Time (RTC), x10, Print Unit Switch, Target storage	

Accessories

Article #	Designation	Description
30674166	Ticket Printer APR320	Fits for printout traceability
72229393	Column open 120mm / 4.7" stainless steel	Fits for all platform size
72198702	Column open 330mm / 13" stainless steel	Fits for all platform size
72198703	Column open 660mm / 26" stainless steel	Fits for all platform size
72198704	Column open 900mm / 35.4" stainless steel	Fits for all platform size larger than A-size
30253326	Roller track 400 x 500 mm / 15.7" x 19.7" stainless steel	Fits for B-size platform. Roll to short side of platform
30253327	Roller track 400 x 500 mm / 15.7" x 19.7" stainless steel	Fits for B-size platform. Roll to long side of platform
72255840	Column mount bracket	Fit for IND236 column mount
22021070	Desk mount bracket	Fit for IND236 desk mount
30676769	AISI 316 stainless steel platter / 240 x 300 mm / 9.5" x 11.8"	Fits for A-size platform
30676770	AISI 316 stainless steel platter / 300 x 400 mm / 11.8" x 15.7"	Fits for BB-size platform
30676771	AISI 316 stainless steel platter / 400 x 500 mm / 15.7" x 19.7"	Fits for B-size platform
30676772	AISI 316 stainless steel platter / 228 x 228 mm / 9" x 9"	Fits for QA-size platform
30676773	AISI 316 stainless steel platter / 305 x 305 mm / 12" x 12"	Fits for QB-size platform

Explore Our Service Solutions

Tailored to Fit Your Equipment Needs

METTLER TOLEDO Service delivers resources to enhance your efficiency, performance and productivity by providing service packages that fit your operational needs, maximize your equipment lifetime, and protect your weighing solution scale investment.

► www.mt.com/IND-Service

Start with professional installation



Installation services include support for your unique production situation:

- Professional IQ/OQ/PQ/MQ documentation
- Initial calibration and confirmation of fit-for-purpose
- Hazardous area installations

Extend your warranty coverage



Add two years of preventive maintenance and repair coverage to protect your indicator or full system purchase and achieve maximum productivity and budget control.

Maintain accuracy over time



Receive professional guidance (GWP Verification™), including a routine testing plan that specifies four key factors to maximize your efficiency and ensure quality:

- Tests to perform
- Weights to use
- Testing frequency
- Tolerances to apply

Schedule maintenance



Full preventative maintenance plans offer inspection, functional testing, and proactive replacement of worn parts.

Health inspections offer a full assessment of current condition with professional maintenance recommendations.

Calibrate for quality and compliance

GWP®

Professional Accuracy Calibration Certificate (ACC) determines measurement uncertainty in use over the entire weighing range. Corresponding annexes give a clear pass/fail statement for specific tolerances applied, such as fit-for-purpose (GWP®), OIML R76, NTEP HB44, or further regulations.

www.mt.com/BBA236

For more information

METTLER TOLEDO Group

Industrial Division

Local contact: www.mt.com/contacts

Subject to technical changes

© 01/2022 METTLER TOLEDO. All rights reserved

Document No. 30086842 B

MarCom Industrial

METTLER TOLEDO Service

