

Weight Test Head QA000-W

for Q2 and Q3 Dosing Modules

The "QA000-W weight test head" is used to perform an automatic repeatability test. The test result (pass or fail) is based on the measured standard deviation.

1 Scope of delivery

- Weight test head
- Tare weights, 6 pcs
- Weight holder
- Extension rod ¹⁾
- Test weight of 1 g
- Test weight of 8 mg

¹⁾ only used with Q3 dosing module.

2 Preparing the test

Preparing the "Weight test head"

- 1 Unscrew the "Weight container" (5) attached to the "Weight test head" (6).
- 2 Unscrew the fixation pin (1).
- 3 Remove the "Weight holder" (2) with the six "Tare weights" (3) from the "Weight container" (5).
- 4 **Only for Q3 dosing modules:** Insert the "Extension rod" (4) into the "Weight holder" (2).

Loading the "Tare weights"

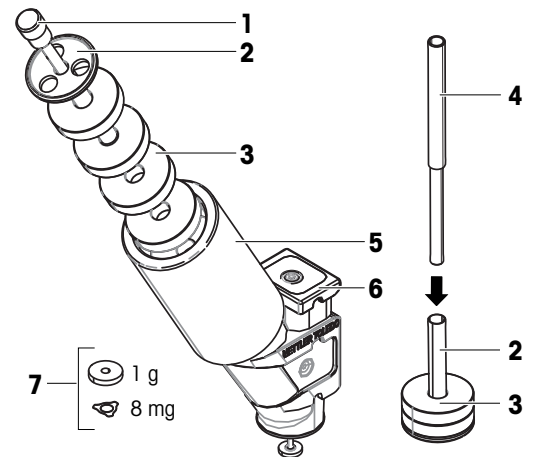
Each "Tare weight" (3) weighs approximately 10 g, the "Weight holder" (2) approximately 5.5 g and the "Extension rod" (4) approximately 7 g. The combined "Overall tare weight" must be slightly higher than the **Minimum tare weight** defined in the test.

Example: If the defined **Minimum tare weight** is 30 g, the test should be carried out using an "Overall tare weight" of:

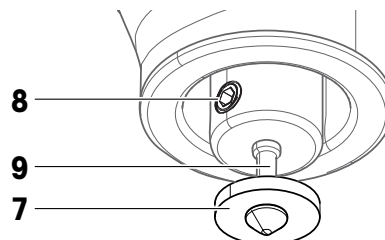
- **for Q2:** 35 g ("Weight holder" of 5.5 g + "Tare weights" of 3 × 10 g)
- **for Q3:** 32.5 g ("Weight holder" of 5.5 g + "Extension rod" of 7 g + "Tare weights" of 2 × 10 g)

3 Changing the test weight

Depending on your internal regulations (SOP), a "Test weight" of 8 mg or 1 g can be used. METTLER TOLEDO recommends to use the same "Test weight" for every test and to not change the weight in between tests.



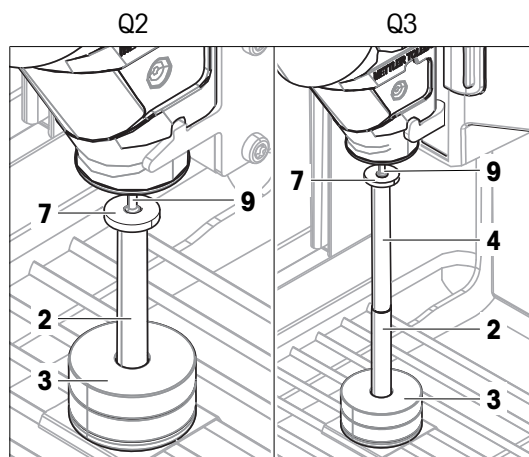
- Required tool: Hex key screwdriver of 1.27 mm in width.
- 1 Loosen the screw (8) in the pin holder above the pin.
 - 2 Take out the pin (9).
 - 3 Exchange the "Test weight" (7) of 8 mg with the "Test weight" of 1 g or vice versa.
 - 4 Reinsert the pin and fix the screw.



4 Operation

Test procedure using Q2 powder modules

- 1 Attach the "Weight test head" to the "Dosing unit".
 - ➔ The **MinWeigh** method is activated automatically.
- 2 Place the "Weight holder" (2) with the appropriate number of "Tare weights" (3) in the center of the "Weighing pan".
- 3 Press **Start**.
- 4 Lower the "Weight test head" until the pin (9) fully enters the pinhole of the "Weight holder" and the "Test weight" (7) rests on the edge of the pinhole. The pin must not touch the "Weight holder" when entering.
- 5 To verify correct positioning of the "Weight holder", use ▲ and ▼ to move the "Test weight" up (approximately 1 mm above the pinhole) and down slightly: in both positions, the display must show a stable weight value. If unstable, center the "Weight holder".
- 6 Tap **OK** to confirm the correct positioning.
- 7 If requested by the instrument: enter the User ID.
- 8 Press **OK** to confirm.
 - ➔ The test sequence starts.



Test procedure using Q3 dosing modules

- 1 On the terminal, tap **Methods > ⚙ Tests** and create and/or select an **Auto. Repeat. - Tare - 1 TP** test.
 - Tare name** – Defines a name for the "Test weight".
 - Minimum tare weight** – Defines the minimum weight of the tare container, e.g. 30 g if referring to the test case described in [Preparing the test ▶ Page 1]. The test is only continued if an "Overall tare weight" with at least this weight is placed on the balance.
 - Nominal weight** – Weight of the "Test weight" installed on the "Weight test head" (8 mg / 1 g).
- 2 Tap ▶ **Start**.
- 3 Follow the instructions from the wizard.
- 4 To verify the correct positioning of the "Weight holder" (2) and "Extension rod" (4), use ↑ **Pin up** and ↓ **Pin down** to move the "Test weight" (7) up and down: in both positions, the display must show a stable weight value. If unstable, the pin (9) is most likely touching the "Extension rod". Slightly reposition the "Weight holder" with the "Tare weight".
- 5 Tap **OK** to confirm the correct positioning.
 - ➔ The test sequence starts.

Test results

After all measurements have been executed, the final result is shown on the terminal and can be printed.

If the test **failed**, check the test settings and repeat the test (check the environment, do not disturb the instrument while the test is running). If the test fails again, contact your METTLER TOLEDO service representative.

