

English

User Manual **QLX3 liquid module** for XPR Analytical Balances

Deutsch

Benutzerhandbuch **QLX3-Flüssigdosiermodul** für XPR-Analysenwaagen

Español

Manual de usuario **Módulo de líquido QLX3** para balanzas analíticas XPR

Français

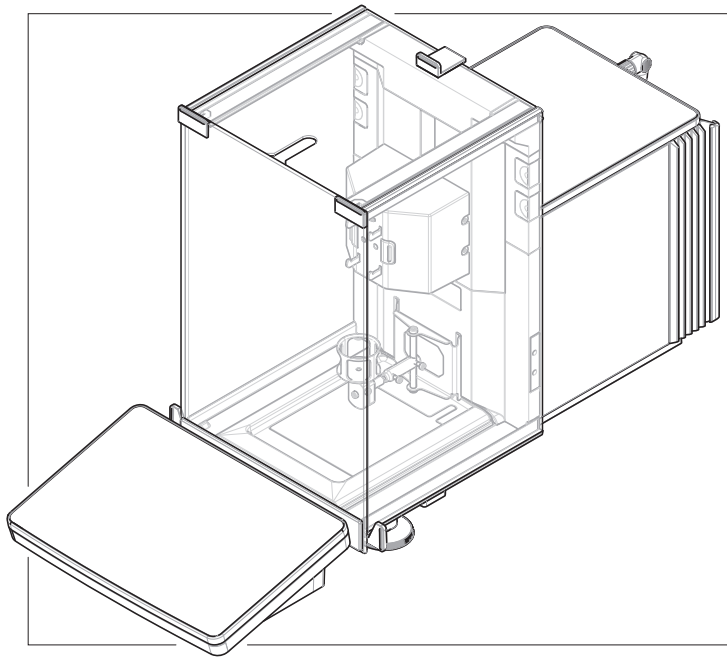
Guide de l'utilisateur **Module pour liquides QLX3** pour les balances d'analyse XPR

简体中文

用户手册 **QLX3液体模块** 适用于XPR分析天平

日本語

ユーザマニュアル **QLX3液体モジュール** XPR分析天びん向け



METTLER TOLEDO

en



This User Manual provides brief instructions about the first steps to take with the instrument. This ensures safe and efficient handling. Personnel must have carefully read and understood this manual before performing any task.

For full information, always refer to the Reference Manual (RM).

► www.mt.com/QLX3-RM

de



Dieses Benutzerhandbuch enthält eine kurze Anleitung zu den ersten Schritten, die mit dem Gerät durchzuführen sind. Dies gewährleistet eine sichere und effiziente Handhabung. Das Personal muss dieses Handbuch sorgfältig gelesen und verstanden haben, bevor es Aufgaben ausführen darf.

Ausführliche Informationen finden Sie stets im Referenzhandbuch (RM).

► www.mt.com/QLX3-RM

es



Este manual de usuario proporciona instrucciones breves sobre los primeros pasos que debe seguir con el instrumento. Esto asegura un manejo seguro y eficaz. El personal deberá haber leído y comprendido este manual antes de llevar a cabo cualquier tarea.

Para obtener más información, consulte siempre el manual de referencia (RM).

► www.mt.com/QLX3-RM

fr



Ce guide de l'utilisateur fournit de brèves instructions sur les premières étapes à suivre avec l'instrument. L'objectif est de garantir une manipulation sûre et efficace. Avant d'entreprendre une tâche quelconque, le personnel doit avoir lu attentivement et bien compris le présent guide.

Il convient de se référer systématiquement au Manuel de référence (MR) pour obtenir des informations exhaustives.

► www.mt.com/QLX3-RM

zh



本《用户手册》提供了关于使用该仪器的第一步的简要说明。这样可确保安全与高效的

操作。操作人员在执行任何任务之前必须仔细阅读并理解本手册。

有关完整信息，请查阅《参考手册（RM）》。

► www.mt.com/QLX3-RM

ja

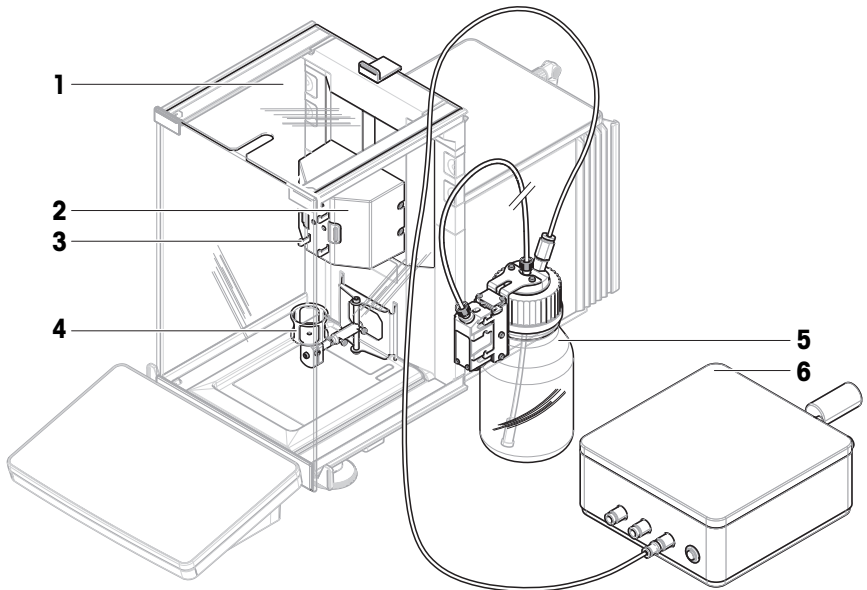


このユーザーマニュアルでは、機器を使用する際の最初の手順について簡単に説明します。これにより、安全で効率的な取り扱いが可能になります。操作者は、機器を使用して作業を実施する前に本説明書を注意深く読んで理解する必要があります。

すべての情報については、必ずリファレンスマニュアル (RM) を参照してください。

► www.mt.com/QLX3-RM

Overview



en

| | | | |
|---|--------------------|---|---|
| 1 | Top door | 4 | ErgoClip vial |
| 2 | Liquid module | 5 | QLL kit for bottle (available separately) |
| 3 | Dosing head holder | 6 | QL3 pump (available separately) |

de

| | | | |
|---|--------------------|---|---|
| 1 | Obere Tür | 4 | ErgoClip Vial |
| 2 | Flüssigdosiermodul | 5 | QLL-Kit für Flaschen (separat erhältlich) |
| 3 | Dosierkopfhalter | 6 | QL3-Pumpe (separat erhältlich) |

es

| | | | |
|---|-------------------------------------|---|---|
| 1 | Puerta superior | 4 | Vial ErgoClip |
| 2 | Módulo de líquido | 5 | Kit QLL para botellas (disponible por separado) |
| 3 | Soporte del cabezal de dosificación | 6 | Bomba QL3 (disponible por separado) |

fr

| | | | |
|---|-----------------------------|---|---|
| 1 | Porte supérieure | 4 | Flacon ErgoClip |
| 2 | Module pour liquides | 5 | Kit QLL pour flacon (disponible séparément) |
| 3 | Support pour tête de dosage | 6 | Pompe QL3 (disponible séparément) |

zh

| | | | |
|---|-------|---|---------------|
| 1 | 顶门 | 4 | ErgoClip小瓶 |
| 2 | 液体模块 | 5 | 瓶用QLL套件（单独订购） |
| 3 | 加样头支架 | 6 | QL3泵模块（可单独订购） |

ja

| | | | |
|---|-----------|---|-----------------|
| 1 | 上部ドア | 4 | エルゴクリップバイアル |
| 2 | 液体モジュール | 5 | QLLボトル用キット（別売り） |
| 3 | 分注ヘッドホルダー | 6 | QL3ポンプ（別売り） |

User Manual **QLX3 liquid module**

English

Benutzerhandbuch **QLX3-Flüssigdosiermodul**

Deutsch

Manual de usuario **Módulo de líquido QLX3**

Español

Guide de l'utilisateur **Module pour liquides QLX3**

Français

用户手册 **QLX3液体模块**

简体中文

ユーザマニュアル **QLX3液体モジュール**

日本語

Table of Contents

| | | |
|----------|---|-----------|
| 1 | Introduction | 3 |
| 1.1 | Further documents and information | 3 |
| 1.2 | Explanation of conventions and symbols used | 3 |
| 1.3 | Acronyms and Abbreviations | 3 |
| 1.4 | Compliance information | 3 |
| 2 | Safety Information | 4 |
| 2.1 | Definitions of signal words and warning symbols | 4 |
| 2.2 | Product-specific safety notes | 5 |
| 3 | Design and Function | 8 |
| 3.1 | Function description | 8 |
| 3.2 | Overview | 8 |
| 3.3 | Components description | 8 |
| 3.4 | Dosing head RFID tag | 10 |
| 4 | Installation and Putting into Operation | 10 |
| 4.1 | Scope of delivery | 10 |
| 4.2 | Selecting the location | 10 |
| 4.3 | Setting up the liquid dosing system | 11 |
| 4.3.1 | Interface of the pump | 11 |
| 4.3.2 | Wiring the pump | 11 |
| 4.3.3 | Connecting the tubes | 11 |
| 5 | Operation | 16 |
| 5.1 | Liquid dosing | 16 |
| 5.1.1 | Installing and removing the liquid dosing head | 16 |
| 5.1.2 | Adjusting the dosing height | 16 |
| 5.1.3 | Attaching the dosing head to the bottle cap | 17 |
| 5.1.4 | Handling the bottle | 17 |
| 5.1.5 | Using the QL3 pump | 18 |
| 5.2 | Using other weighing methods | 19 |
| 6 | Maintenance | 19 |
| 6.1 | Cleaning | 19 |
| 6.1.1 | Cleaning the housing | 20 |
| 6.1.2 | Cleaning the weighing chamber | 20 |
| 6.1.3 | Cleaning the liquid dosing elements | 20 |
| 6.2 | Replacing the sealing ring and fastening nut on the liquid tube | 21 |
| 7 | Troubleshooting | 21 |
| 7.1 | Error symptoms | 21 |
| 8 | Technical Data | 23 |
| 8.1 | General data | 23 |
| 9 | Disposal | 23 |

1 Introduction

1.1 Further documents and information

This document is available in other languages online.

► www.mt.com/XPR-automatic

Search for software downloads

► www.mt.com/labweighing-software-download

Search for documents


► www.mt.com/library

For further questions, please contact your authorized METTLER TOLEDO dealer or service representative.

► www.mt.com/contact

1.2 Explanation of conventions and symbols used

Conventions and symbols

Key and/or button designations and display texts are shown in graphic or bold text, e.g., , **Edit**.

 **Note** For useful information about the product.

Refers to an external document.



Elements of instructions

In this manual, step-by-step instructions are presented as follows. The action steps are numbered and can contain prerequisites, intermediate results and results, as shown in the example. Sequences with less than two steps are not numbered.

- Prerequisites that must be fulfilled before the individual steps can be executed.

1 Step 1

⇒ Intermediate result

2 Step 2

⇒ Result

1.3 Acronyms and Abbreviations

| Original term | Explanation |
|---------------|-----------------------------------|
| EMC | Electromagnetic Compatibility |
| FCC | Federal Communications Commission |
| LPS | Limited Power Source |
| POM | Polyoxymethylene |
| RFID | Radio-frequency identification |
| RM | Reference Manual |
| sd | Standard deviation |
| SELV | Safety Extra Low Voltage |
| SOP | Standard Operating Procedure |
| UM | User Manual |
| USB | Universal Serial Bus |

1.4 Compliance information

National approval documents, e.g., the FCC Supplier Declaration of Conformity, are available online and/or included in the packaging.

► <http://www.mt.com/ComplianceSearch>



For further information, consult the Reference Manual (RM).

► www.mt.com/QLX3-RM

Singapore

Complies with
IMDA Standards
DA108390

South Africa



Thailand



2 Safety Information

Two documents named "User Manual" and "Reference Manual" are available for this instrument.

- The User Manual is printed and delivered with the instrument.
- The electronic Reference Manual contains a full description of the instrument and its use.
- Keep both documents for future reference.
- Include both documents if you transfer the instrument to other parties.

Only use the instrument according to the User Manual and the Reference Manual. If you do not use the instrument according to these documents or if the instrument is modified, the safety of the instrument may be impaired and Mettler-Toledo GmbH assumes no liability.

2.1 Definitions of signal words and warning symbols

Safety notes contain important information on safety issues. Ignoring the safety notes may lead to personal injury, damage to the instrument, malfunctions and false results. Safety notes are marked with the following signal words and warning symbols:

Signal words

DANGER A hazardous situation with high risk, resulting in death or severe injury if not avoided.

| | |
|----------------|---|
| WARNING | A hazardous situation with medium risk, possibly resulting in death or severe injury if not avoided. |
| CAUTION | A hazardous situation with low risk, resulting in minor or moderate injury if not avoided. |
| NOTICE | A hazardous situation with low risk, resulting in damage to the instrument, other material damage, malfunctions and erroneous results, or loss of data. |

Warning symbols



General hazard



Notice

2.2 Product-specific safety notes

Intended use

This dosing system is designed to be used in analytical laboratories by trained staff. The dosing system is intended for weighing and dosing powder or liquid samples.

Any other type of use and operation beyond the limits of use stated by Mettler-Toledo GmbH without consent from Mettler-Toledo GmbH is considered as not intended.

Responsibilities of the instrument owner

The instrument owner is the person holding the legal title to the instrument and who uses the instrument or authorizes any person to use it, or the person who is deemed by law to be the operator of the instrument. The instrument owner is responsible for the safety of all users of the instrument and third parties.

Mettler-Toledo GmbH assumes that the instrument owner trains users to safely use the instrument in their workplace and deal with potential hazards. Mettler-Toledo GmbH assumes that the instrument owner provides the necessary protective gear.

Protective equipment



Chemical-resistant gloves



Goggles



Lab coat

Safety notes



WARNING

Death or serious injury due to electric shock

Contact with parts that carry a live current can lead to death or injury.

- 1 Only use the METTLER TOLEDO power cable and AC/DC adapter designed for your instrument.
- 2 Connect the power cable to a grounded power outlet.
- 3 Keep all electrical cables and connections away from liquids and moisture.
- 4 Check the cables and the power plug for damage and replace them if damaged.



⚠ WARNING

Injury and/or damage due to hazardous substances

Chemical, biological or radioactive hazards can be associated with the substances processed by the instrument. During dosing procedures, small amounts of the dosed substance may become airborne and penetrate the instrument or contaminate its surroundings.

The substance characteristics and related hazards is the full responsibility of the instrument owner.

- 1 Be aware of possible hazards associated with the substance and take adequate safety measures, e.g., those stated on the safety data sheet provided by the manufacturer.
- 2 Make sure that every instrument part in contact with the substance will not get altered or damaged by the substance.



⚠ WARNING

Injury or damage due to powder handling

Powders may get compacted in the dosing head and block it. Too much force applied by the dosing head mechanism may lead to a break and potentially hazardous substances may get airborne.

- 1 Handle the dosing heads with care.
- 2 If the dosing head seems blocked, avoid further dosing. Remove the head from the instrument and turn it upside down to loosen the powder.
- 3 Cease work immediately in the event of leak or break.



⚠ WARNING

Injury and/or damage due to reacting, flammable, or explosive substances

During the dosing procedure, substances could be combined and cause an exothermic reaction or explosion. This includes powders, liquids, and gases.

The sample characteristics and related hazards is the full responsibility of the instrument owner.

- 1 Be aware of possible hazards associated with reacting, flammable, or explosive substances.
- 2 Ensure a working temperature low enough to prevent the formation of flames or an explosion.



⚠ WARNING

Injury or death due to toxic, explosive, or flammable substances

If you use toxic, explosive, or flammable liquids with the pump, the exhaust air will be contaminated.

- Connect a tube to the exhaust air outlet to collect the contaminated air.



⚠ WARNING

Injury and/or damage due to reacting substances

When pressure is released from the bottle, the air/gas in the bottle moves back towards the pump. The air/gas coming from the coupled outlets mixes in the pump. Molecules of the substances in the various bottles can get in contact through this contaminated air/gas.

- 1 Do not connect bottles with incompatible liquids to the same pump simultaneously.
- 2 Before connecting a second, incompatible liquid to the pump, disconnect the first bottle and purge the pump cavity with clean air/gas.

**⚠ WARNING****Injury and damage to the pump or the bottle due to high pressure**

High pressure from external gas can damage the pump or the bottle.

- 1 Use a regulator on the external gas line.
- 2 Ensure that the pressure of the external gas does not exceed 0.5 bar (7.2 psi).

**⚠ CAUTION****Injury due to splashing liquids**

If the pressure in the bottle is not released, liquid might splash when removing the micro dosing valve, opening the bottle, or removing the liquid tube.

- Always release pressure before removing the micro dosing valve, opening the bottle, or removing the liquid tube.

**⚠ CAUTION****Injury due to leaking liquids**

Wrongly cut tubing can result in leaking connections.

- Cut the tubes with a tube cutter or a sharp knife.

**⚠ CAUTION****Injury due to moving parts**

- Do not reach into the working area while parts of the instrument are moving.

**⚠ CAUTION****Injury due to sharp objects or broken glass**

Instrument components, e.g., glass, can break and lead to injuries.

- Always proceed with focus and care.

**NOTICE****Damage to the instrument or malfunction due to the use of unsuitable parts**

- Only use parts from METTLER TOLEDO that are intended to be used with your instrument.

**NOTICE****Damage to the instrument**

The instrument contains no user-serviceable parts.

- 1 Do not open the instrument.
- 2 In the event of problems, please contact a METTLER TOLEDO representative.



NOTICE

Damage to the instrument due to inappropriate cleaning methods

If liquid enters the housing, it can damage the instrument. The surface of the instrument can be damaged by certain cleaning agents, solvents, or abrasives.

- 1 Do not spray or pour liquid on the instrument.
- 2 Only use the cleaning agents specified in the Reference Manual (RM) of the instrument or the guide "8 Steps to a Clean Balance".
- 3 Only use a lightly moistened, lint-free cloth or a tissue to clean the instrument.
- 4 Wipe off any spills immediately.

3 Design and Function

3.1 Function description

The **QLX3 liquid module** can be added to **XPR analytical balances** to perform automatic dosing of liquids. The liquid dosing head is attached to the liquid module and located inside the weighing chamber. The vertical position of the liquid module is adjusted manually. The **QL3 pump** and **QLL kit for bottle** are completing the system. The **QL3 pump** is used to build pressure in the bottle. As soon as the pressure is sufficiently high, the micro dispensing valve in the liquid dosing head opens and liquid ascends the liquid tube. Several pumps can be connected to the balance simultaneously and each pump can accommodate up to three bottles (QLL kits).

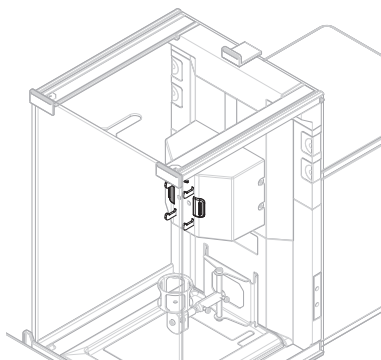
3.2 Overview

See the section "Overview" (graphics and legend) at the very beginning of this manual.

3.3 Components description

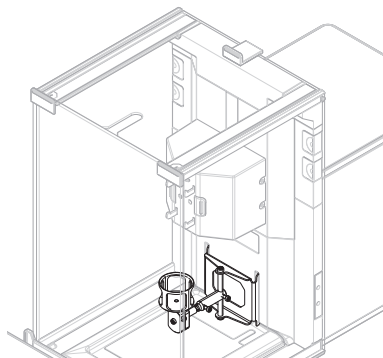
Dosing head holder

The dosing head holder is where the liquid dosing head is secured. The dosing head can be released by pressing one of the release buttons on either side of the holder.



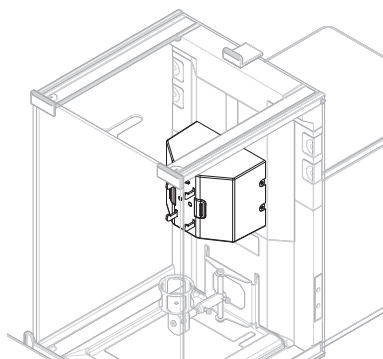
ErgoClip vial

The ErgoClip vial is used together with vial adapters to position vials optimally. Those adapters are available for vials of various diameters and heights. See Accessories.



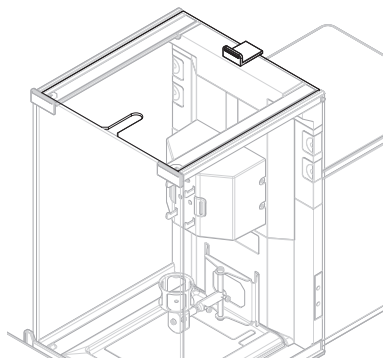
Liquid module

The liquid module is where the liquid dosing head is attached. It can be moved up and down manually to adjust the distance between the sample vessel and the tip of the dosing head.



Top door liquid module

The liquid module is provided with a top door designed with a slit through which the liquid tube can pass to reach the inside of the weighing chamber. This door is installed in the same railings as the standard top door of the balance and can be opened and closed manually as well as automatically.

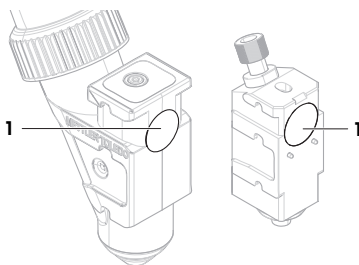


3.4 Dosing head RFID tag

Each powder and liquid dosing head is equipped with an integrated RFID tag (1) that stores and exchanges data with the instrument.

Various data is stored in the RFID tag of the dosing heads, such as the substance name, lot ID, filling date, expiry date, etc. It also includes customized data fields.

This data can be edited on the terminal and should be set before using a new dosing head such that the data is available for reports and labels.



4 Installation and Putting into Operation

This instrument must be installed by a METTLER TOLEDO service technician.

The QLX3 liquid module is compatible with all XPR analytical balances with tall draft shield.

4.1 Scope of delivery

QLX3 liquid module

- QLX3 liquid module
- Top door liquid module
- ErgoClip vial
- Various vial adapters, 4 pcs
- Declaration of Conformity
- User Manual

The scopes of delivery for the **QL3 pump** and the **QLL kits for bottles** are in the documentation delivered with these products.

4.2 Selecting the location

A balance is a sensitive precision instrument. The location where it is placed will have a profound effect on the accuracy of the weighing results.

Requirements of the location

Place indoors on stable table

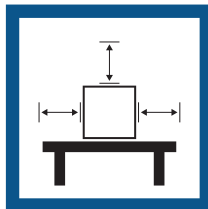
Ensure sufficient spacing

Level the instrument

Provide adequate lighting table



Avoid direct sunlight



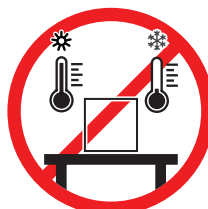
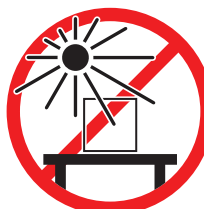
Avoid vibrations



Avoid strong drafts



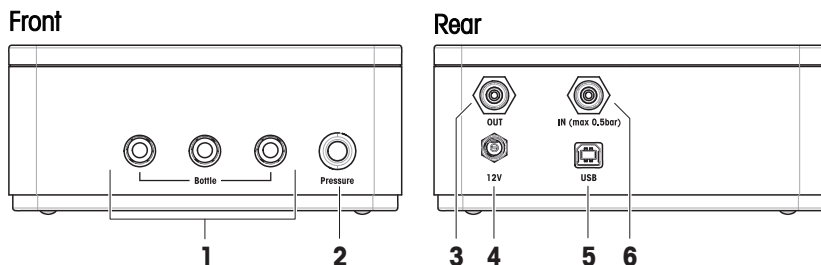
Avoid temperature fluctuations



Sufficient spacing for balances: > 15 cm all around the instrument
 Take into account the environmental conditions. See "Technical Data".

4.3 Setting up the liquid dosing system

4.3.1 Interface of the pump



| | | | |
|---|---|---|--------------------------|
| 1 | Air outlets (to bottle) | 4 | Socket for AC/DC adapter |
| 2 | Pressure release button and indicator light | 5 | USB-B port (to host) |
| 3 | Air exhaust outlet | 6 | Air inlet |

4.3.2 Wiring the pump

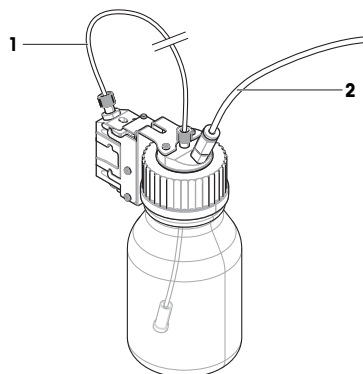
- 1 Install the cables in such a way that they cannot be damaged or interfere with operation.
- 2 Insert the plug of the AC/DC adapter in the power inlet of the pump.
- 3 Secure the plug by firmly tightening the knurled nut.
- 4 Insert the plug of the power cable into a grounded power outlet that is easily accessible.
- 5 Using the USB cable, connect the USB-B port of the pump to one of the USB-A ports of the balance.

4.3.3 Connecting the tubes

Tubes definition

The liquid tube is the thinner tube (1) used for transporting liquid from the bottle to the liquid dosing head. The air tube is the slightly bigger tube (2) used for pumping air into the bottle. By adding air through the air tube, pressure rises in the bottle. When the pressure reaches the target pressure, between 0.3 and 0.5 bar (4.4 to 7.2 psi), the micro dispensing valve in the dosing head opens and liquid can ascend the liquid tube.

- 1 Liquid tube



2 Air tube

Preparing the liquid tube



CAUTION

Injury due to leaking liquids

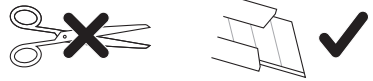
Wrongly cut tubing can result in leaking connections.

- Cut the tubes with a tube cutter or a sharp knife.

- The liquid dosing head is inserted in the liquid dosing head support of the bottle.

- Using a tube cutter or a sharp knife, cut a sufficient amount of tubing. The appropriate length mainly depends on the distance between the balance and the bottle while dosing.

Recommended length: about 0.9 m

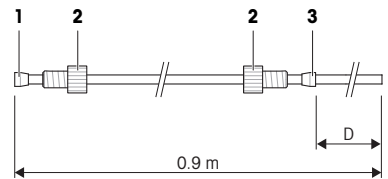


- NOTICE: Leaking liquid due to wrong assembly. Pay attention to the orientation of the sealing ring when threading it on the tube.**

Place the sealing ring (1) on a flat stable surface, e.g., a table or a workbench, with the wider end downwards.

- Take the end of the liquid tube and press it into the sealing ring.

➔ This is the dosing-head end of the tube. The opposite end is the bottle end.



- Thread the two fastening nuts (2), paying attention to the orientation.

- NOTICE: Leaking liquid due to wrong assembly. Pay attention to the orientation of the sealing ring when threading it on the tube.**

Thread the sealing ring (3) from the bottle end of the tube.

- Slide the sealing ring until the distance (D) is enough for the tube to reach the bottom of the bottle. Recommended distances for typical bottle volumes are listed next.

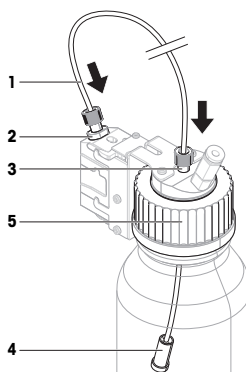
Typical distances (D) between the sealing ring and the bottle-end of the tube

| Thread | Bottle volume | Distance (D) |
|--------|---------------|--------------|
| GL45 | 1000 ml | 220 mm |
| | 500 ml | 170 mm |
| | 250 ml | 135 mm |
| GL25 | 25 ml | 90 mm |

Connecting the liquid tube

- 1 Insert the dosing-head end of the tube (1) in the dosing head (2).
- 2 Tightly fasten the fastening nut to the dosing head.
- 3 Insert the bottle end of the tube through the corresponding hole in the bottle cap (3). The tube should reach the bottom of the bottle.
- 4 If needed, attach the suction filter (4) to the bottle end of the tube.
- 5 Tightly fasten the fastening nut to the bottle cap.
- 6 Screw the cap to the bottle (5).

The suction filter is used to ensure that no particles or impurities are carried through the liquid dosing head. Using the suction filter will extend the lifetime of the dosing head. However, when dosing solutions, molecules of one of the substances might be absorbed by the suction filter, altering the concentration of the solution. The suction filter should only be used when dosing pure solvents.



Connecting the air tube



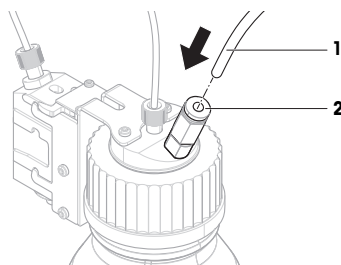
⚠ WARNING

Injury and/or damage due to reacting substances

When pressure is released from the bottle, the air/gas in the bottle moves back towards the pump. The air/gas coming from the coupled outlets mixes in the pump. Molecules of the substances in the various bottles can get in contact through this contaminated air/gas.

- 1 Do not connect bottles with incompatible liquids to the same pump simultaneously.
- 2 Before connecting a second, incompatible liquid to the pump, disconnect the first bottle and purge the pump cavity with clean air/gas.

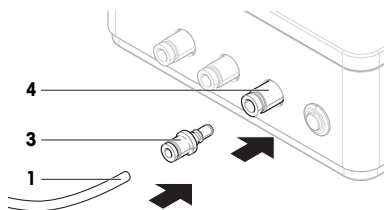
- 1 Using a tube cutter or a sharp knife, cut a sufficient amount of tubing. The appropriate length mainly depends on the distance between the bottle and the pump while dosing.
Recommended length: about 0.7 m
- 2 Connect the air tube (1) to the air inlet of the bottle (2)



- 3 Insert the other end of the air tube (1) in a tube adapter (3) and press firmly.
- 4 Connect the tube adapter (3) to one of the air outlets (4) of the pump. Press until you hear a click.

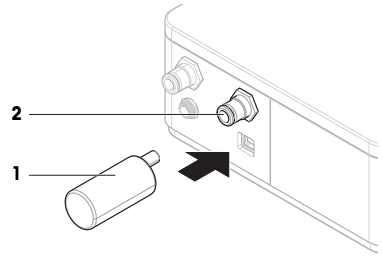
When a tube is connected to the air outlet of the pump, the valve of the air outlet opens. Never leave a tube that is connected to the air outlet unconnected at the other end because pressure cannot build up.

You can connect up to three bottles to each pump.



Connecting the muffler

- Insert the muffler (1) into the air inlet (2) to absorb the noise.



Removing the air tube



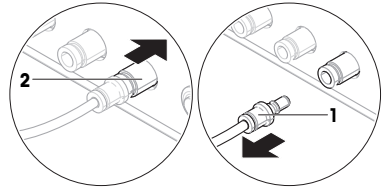
NOTICE

Damage to tube connectors due to mishandling

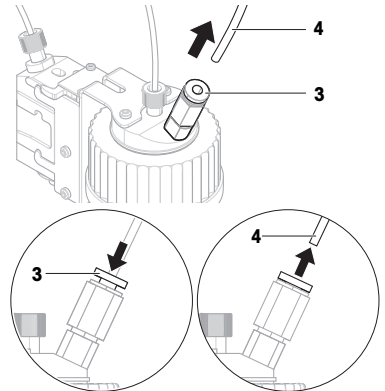
If the tubes are not removed correctly, the connectors of the pump and the bottle cap can be damaged.

- To remove the tubes, press down the ring on the connector and pull out the tube carefully.

- 1 Remove the tube adapter (1) from the pump by pushing the connector (2) of the air outlet towards the pump.
➔ The adapter is released and can be removed.



- 2 Remove the air tube from the bottle by firmly pressing down the ring (3) and pulling the tube (4) simultaneously.
- 3 If necessary, e.g., for maintenance purposes, use the same procedure to remove the air tube from the tube adapter: firmly press the ring and pull the tube simultaneously.



Using the pump with external gas

The liquid can be protected by feeding an external gas, e.g., nitrogen, to the pump. Make sure that the pressure of the external gas does not exceed 0.5 bar (7.2 psi).



⚠ WARNING

Injury and damage to the pump or the bottle due to high pressure

High pressure from external gas can damage the pump or the bottle.

- 1 Use a regulator on the external gas line.
- 2 Ensure that the pressure of the external gas does not exceed 0.5 bar (7.2 psi).

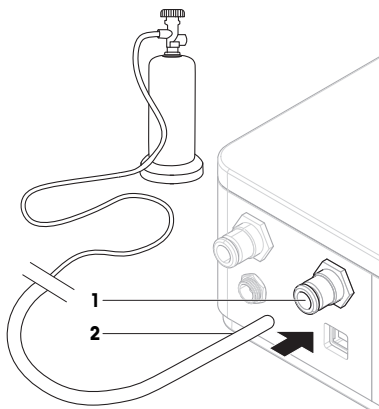
- A regulator is connected to the external gas line.
- 1 Remove the muffler from the air inlet (1).
 - 2 Connect the tube of external gas (2) to the air inlet (1).

Note

Outer tube diameter: 6 mm

Pressure in external gas line: The pressure must be at least 0.1 bar (1.5 psi). The pressure must not exceed the configured dosing pressure set on the terminal.

The external gas tube is not provided by METTLER TOLEDO.



Collecting contaminated air



⚠ WARNING

Injury or death due to toxic, explosive, or flammable substances

If you use toxic, explosive, or flammable liquids with the pump, the exhaust air will be contaminated.

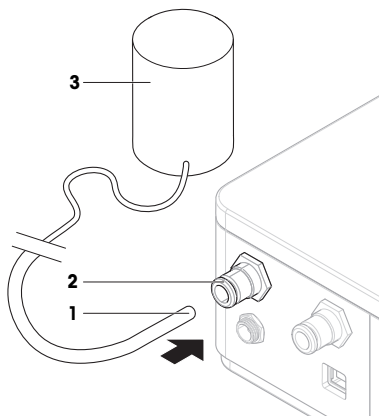
- Connect a tube to the exhaust air outlet to collect the contaminated air.

- Connect a tube (1) to the exhaust air outlet (2) to collect the contaminated air into a safe container (3).

Note

Outer tube diameter: 6 mm

The exhaust air tube and the container are not provided by METTLER TOLEDO.



5 Operation

5.1 Liquid dosing



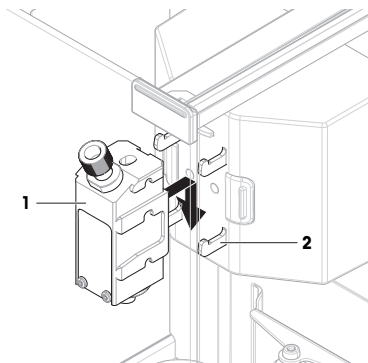
For further information, consult the Reference Manual (RM) of your XPR balance.

► www.mt.com/XPR-analytical-RM

5.1.1 Installing and removing the liquid dosing head

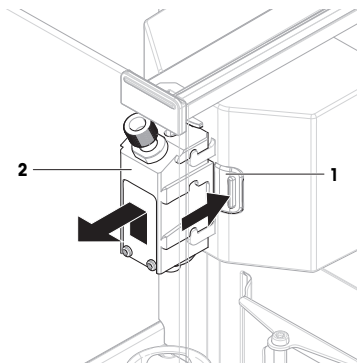
Installing the dosing head

- 1 Slide the dosing head (1) onto the dosing head holder (2) until it comes to a stop.
- 2 Slightly press down the dosing head until it properly sits in the dosing head holder (2).
 - ➔ The dosing head is locked in the holder.
- 3 Thread the liquid tube through the slot in the top door.
 - ➔ The dosing head is ready to dose.



Removing the dosing head

- 1 Press the release button (1) on either side of the dosing head holder to release the dosing head (2).
- 2 Simultaneously, pull the dosing head (2) up and outwards.

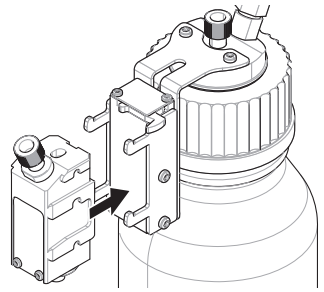


5.1.2 Adjusting the dosing height

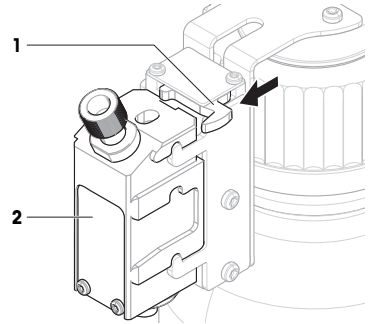
The vertical position of the liquid module is adjusted by moving it manually up and down along its rails.

5.1.3 Attaching the dosing head to the bottle cap

- 1 Insert the liquid dosing head in the liquid dosing head support.



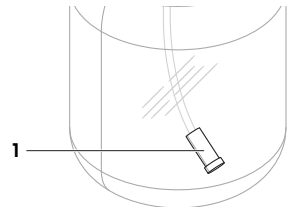
- 2 To remove the liquid dosing head from the liquid dosing head support, pull the lever (1) towards the dosing head and remove the liquid dosing head (2).



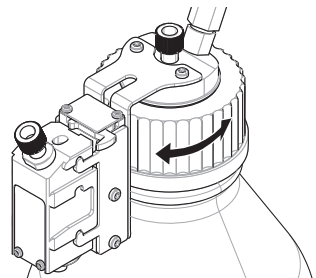
5.1.4 Handling the bottle

Filling the bottle

The suction filter (1) has to be covered with liquid at all times. Before the suction filter gets dry, refill the bottle.



- The pressure is released.
- 1 **⚠ CAUTION: Injury due to splashing liquids. Make sure that the pressure in the bottle is released.**
Unscrew the cap.
 - 2 Fill in the liquid. Do not exceed the maximum (max. is shown on bottle, e.g., 1000 ml). The air above the liquid is necessary for dosing.
 - 3 Screw the cap on tightly.



Changing the bottle content

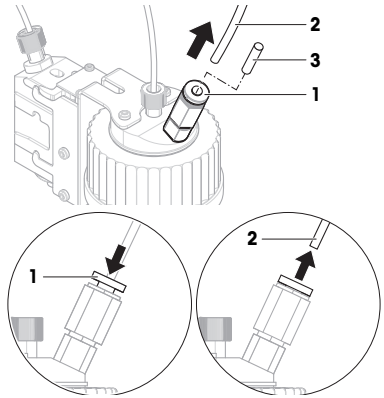
This procedure is used if you have a single cap with dosing head and want to change the liquid to be dosed.

- The pressure is released.
- 1 **⚠ CAUTION: Injury due to splashing liquids. Make sure that the pressure in the bottle is released.**
Unscrew the cap.
- 2 Remove the suction filter, if applicable.
- 3 If the cap needs to be cleaned, remove the air tube.
Unscrew the fastening nut from the cap.
Rinse the cap with the appropriate solvent or liquid.
Insert the liquid tube into the cap.
- 4 If the liquid tube needs to be cleaned with a solvent, fill the bottle with the appropriate solvent.
Screw the cap on the bottle.
Insert the air tube on the cap.
Purge using the **Purge** function on the terminal.
Unscrew the cap.
Dispose of the remainder of solvent.
- 5 Attach a new suction filter, if applicable.
- 6 Screw the cap on the bottle containing the new liquid.
- 7 Check that the cap is tight.
- 8 Connect the air tube to the new bottle.
- 9 Purge using the **Purge** function.

Connecting the air tube to a different bottle

If you have more than one bottle equipped with cap and dosing head, and you want to use the same pump outlet and air tube to dose from another bottle:

- The pressure is released.
- 1 Install the dosing head on the dosing head support of the bottle.
- 2 Unplug the air tube by pressing down the ring (1) and simultaneously pulling out the tube (2).
- 3 To seal the bottle, insert the pin delivered with the QLL kit (3) into the air tube connector.
- 4 Take the new bottle.
- 5 Connect the air tube to the new bottle.
- 6 To continue dosing with the new bottle, install the dosing head.



5.1.5 Using the QL3 pump

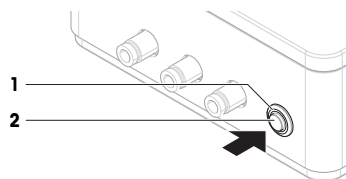
Pressure indicator light

The pressure indicator light displays the status of the pump:

- Light on: pressure is building up or pressure is established
- Light off: there is no pressure and no pressure is building up
- Light blinking: pump error and/or warning

Releasing the pressure

- The pressure indicator light (1) is on.
- Press the pressure release button (2) to release the pressure.
- ➔ The status light (1) turns off when pressure is released.



Purging the pump cavity

If bottles containing incompatible liquids (and for which the fumes should not mix) are connected to the pump one after the other, it is recommended to purge the pump cavity before connecting the second bottle to the pump.

- A dosing head is attached to the dosing or liquid module. The bottle of this dosing head is not connected to any pump.
- A method **Automated dosing** or **Automated solution prep.** is running on the terminal.
 - 1 Disconnect all tube adapters from the pump.
 - 2 Connect an empty tube adapter to the right-most air outlet at the front of the pump.
 - ➔ The pump is trying to build pressure and air flows through the cavity of the pump, purging it.
 - ➔ The pump cavity has been purged and bottles can safely be re-connected to the air outlets.

5.2 Using other weighing methods

To use other methods with the balance, move the liquid module to its uppermost position.



For further information, consult the Reference Manual (RM) of your XPR balance.

► www.mt.com/XPR-analytical-RM

6 Maintenance

The appropriate maintenance interval depends on your standard operating procedure (SOP).

Please contact your METTLER TOLEDO representative for details about the available service options. Regular servicing by an authorized service technician ensures constant accuracy for years to come and prolongs the service life of your instrument.

6.1 Cleaning



NOTICE

Damage to the instrument due to inappropriate cleaning methods

If liquid enters the housing, it can damage the instrument. The surface of the instrument can be damaged by certain cleaning agents, solvents, or abrasives.

- 1 Do not spray or pour liquid on the instrument.
- 2 Only use the cleaning agents specified in the Reference Manual (RM) of the instrument or the guide "8 Steps to a Clean Balance".
- 3 Only use a lightly moistened, lint-free cloth or a tissue to clean the instrument.
- 4 Wipe off any spills immediately.



For further information on cleaning a balance, consult "8 Steps to a Clean Balance".



Detailed information about the compatibility of cleaning agents can be found in the Reference Manual (RM) of your XPR balance.

6.1.1 Cleaning the housing

The housing material of the liquid module is the same as the one of the balance. All surfaces can therefore be cleaned with a commercially available, mild cleaning agent.

6.1.2 Cleaning the weighing chamber

The cleaning procedure is the same as for the balance. Refer to the Reference Manual of the balance for more details.

6.1.3 Cleaning the liquid dosing elements

Cleaning the suction filter

- 1 **Once a week**, check visually that the suction filter is clean. If necessary, rinse the suction filter with solvent using the **Purge** function on the terminal or replace the suction filter.
- 2 At least **once a year**, change suction filter. Maintenance interval depends on the liquid used.

Purging the liquid dosing head

The liquid dosing head can be rinsed/purged by letting a large quantity of solvent (or another liquid) run through it. Use the **Purge** function. See the Reference Manual of the XPR balance.

- The bottle is filled with enough solvent to purge the dosing head.
- A big sample vessel is on the weighing pan to collect the solvent used to purge the dosing head.
- The liquid dosing head is installed on the dosing or liquid module.
- Use the **Purge** function on the terminal to rinse the dosing head.

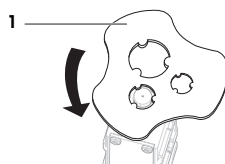
Cleaning the micro dosing valve

The liquid dosing heads QLO01 have a micro dosing valve that can be disassembled and cleaned, for example, in an ultrasonic bath.

Note

The QLO03 dosing head does not contain a micro dosing valve. Cleaning this dosing head using the **Purge** function is sufficient (see above).

- The liquid dosing head is installed on the dosing or liquid module.
 - A sample vessel is on the weighing pan, big enough for the quantity of liquid in the liquid tube.
 - The pressure is released.
- 1 **▲ CAUTION: Injury due to splashing liquids. Make sure that the pressure in the bottle is released.** Empty the liquid tube by replacing the bottle by an empty bottle and using the **Purge** function.
 - ➔ The liquid tube is empty.
 - 2 Release pressure.
 - 3 **▲ CAUTION: Injury due to splashing liquids. Make sure that the pressure in the bottle is released.** Remove the dosing head from the dosing or liquid module.
 - 4 **▲ WARNING: Injury or contamination from hazardous substances. Be aware of any liquid draining from the tubing and the valve.** Open the dosing head with the micro dosing valve tool (1), if applicable.
 - 5 Take out the micro dosing valve and clean it, e.g., in an ultrasonic bath.

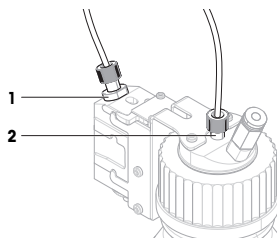


6 After the cleaning, reinstall the micro dosing valve and refill/replace the bottle.

6.2 Replacing the sealing ring and fastening nut on the liquid tube

Removing the sealing ring and the fastening nut

If liquid is leaking from the dosing head nut, replace the sealing ring and fastening nut at the dosing head (1). If pressure cannot be built in the bottle, replace the sealing ring and fastening nut at the bottle cap (2).



- The pressure is released.

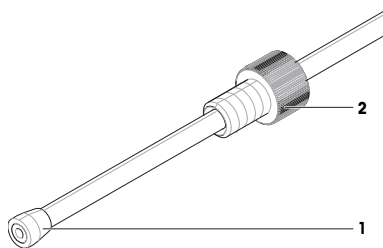
1 **⚠ CAUTION: Injury due to splashing liquids. Make sure that the pressure in the bottle is released.**
Unscrew the fastening nut at the dosing head or the bottle cap.

2 To access the sealing ring (1), slide back the fastening nut (2).

3 If changing the nut and ring at the bottle cap, remove the suction filter and slide the sealing ring all the way to the bottle-end of the tube.

4 Using a tube cutter or a sharp knife, cut off the tube above the sealing ring (1).

5 Remove the fastening nut.



Reconnecting the liquid tube

Insert the new fastening nut sealing ring, and reconnect the liquid tube.

See also

 Connecting the tubes ▶ Page 11

7 Troubleshooting



For further information, consult the Reference Manual (RM) of your XPR balance.

▶ www.mt.com/XPR-analytical-RM

7.1 Error symptoms

| Error symptom | Possible cause | Diagnostic | Remedy |
|--|--|--|--|
| The liquid dosing head does not dispense any liquid. | The suction filter is clogged. | Check if there is liquid in the liquid tube. | Clean or replace the suction filter. |
| | The dosing head is not installed properly. | – | Remove and reinstall the dosing head in the holder. Make sure to press until you hear a click. |
| Liquid leaks from the bottle cap and/or the dosing head. | The tube is not properly connected. | – | Tighten the fastening nut at the bottle cap and/or the dosing head. Make sure that the end of the tube is cut straight. |

| Error symptom | Possible cause | Diagnostic | Remedy |
|---|---|---|--|
| | The sealing ring and/or fastening nut are damaged. | – | Change the sealing ring and the fastening nut at the bottle cap and/or the dosing head. See "Maintenance". Make sure that the end of the tube is cut straight. |
| Liquid drips from the QLOO3 liquid dosing head. | Impurities have entered the QLOO3 liquid dosing head. | – | Use the Purge function for at least 10 seconds to rinse the dosing head. Check if the dosing head is still dripping. Repeat if necessary. If the dosing head cannot be cleaned properly, replace it. |
| The status light of the pump does not blink when the device is connected to power. | The pump is disconnected from power. | Disconnect and reconnect the AC/DC adapter from the pump. The indicator light should blink once when the device is connected to power. Check that the AC/DC adapter and the power cable are not damaged. | Replace the AC/DC adapter and power cable. |
| | The pump is damaged. | Check with another pump, if available. | Replace the pump. Contact your METTLER TOLEDO service representative. |
| On the display, the QL3 pump does not appear in the list of devices connected to the balance. | The pump is disconnected from power. | Disconnect and reconnect the AC/DC adapter from the pump. The indicator light should blink once when the device is connected to power. Check that the AC/DC adapter and the power cable are not damaged. | Replace the AC/DC adapter and power cable. |
| | The USB cable is not properly connected. | Check that the USB cable is connected properly. | Connect the USB cable properly. |
| | The USB cable is damaged. | Check that the USB cable is not damaged. | Replace the USB cable. |
| | The USB-A port of the balance is damaged. | Disconnect the pump from the USB-A port of the balance. Connect a USB mouse to the same USB-A port. Verify that a pointer (arrow) appears on the terminal and can be moved by moving the mouse. | If the mouse pointer does not appear, contact your METTLER TOLEDO service representative. |
| | The pump is damaged. | Check with another pump, if available. | Replace the pump. |

| Error symptom | Possible cause | Diagnostic | Remedy |
|---------------|----------------|------------|---|
| | | | Contact your METTLER TOLEDO service representative. |

8 Technical Data



Refer to the Reference Manual (RM) of your balance or dosing module for more information. Manuals are available online or through your METTLER TOLEDO service representative.

► www.mt.com/XPR-analytical-RM

► www.mt.com/XPR-automatic

8.1 General data

Weight (without packaging): 470 g
 Power consumption: 12 V DC \pm 6%, 1 A

Protection and standards

Overvoltage category: II
 Degree of pollution: 2
 Range of application: Use only indoors in dry locations

Environmental conditions

Height above mean sea level: Up to 5000 m
 Ambient temperature: +5 – +40 °C
 Relative air humidity: 20% to max. 80% at 31 °C, decreasing linearly to 50% at 40 °C, non-condensing

Storage conditions (in packaging)

Ambient temperature: -25 – +70 °C
 Relative air humidity: 10 – 90%, non-condensing

9 Disposal

In conformance with the European Directive 2012/19/EU on Waste Electrical and Electronic Equipment (WEEE) this device may not be disposed of in domestic waste. This also applies to countries outside the EU, per their specific requirements.



Please dispose of this product in accordance with local regulations at the collecting point specified for electrical and electronic equipment. If you have any questions, please contact the responsible authority or the distributor from which you purchased this device. Should this device be passed on to other parties, the content of this regulation must also be related.

Inhaltsverzeichnis

| | | |
|----------|---|-----------|
| 1 | Einleitung | 3 |
| 1.1 | Weitere Dokumente und Informationen | 3 |
| 1.2 | Erklärung der verwendeten Konventionen und Symbole | 3 |
| 1.3 | Akronyme und Abkürzungen | 4 |
| 1.4 | Informationen zur Konformität | 4 |
| 2 | Sicherheitshinweise | 4 |
| 2.1 | Definition von Signalwörtern und Warnsymbolen | 4 |
| 2.2 | Produktspezifische Sicherheitshinweise | 5 |
| 3 | Aufbau und Funktion | 8 |
| 3.1 | Funktionsbeschreibung | 8 |
| 3.2 | Übersicht | 8 |
| 3.3 | Komponentenbeschreibung | 8 |
| 3.4 | RFID-Tag am Dosierkopf | 10 |
| 4 | Installation und Inbetriebnahme | 10 |
| 4.1 | Lieferumfang | 10 |
| 4.2 | Wahl des Aufstellortes | 10 |
| 4.3 | Einrichten des Flüssigdosiersystems | 11 |
| 4.3.1 | Schnittstelle der Pumpe | 11 |
| 4.3.2 | Verkabeln der Pumpe | 11 |
| 4.3.3 | Anschliessen der Schläuche | 11 |
| 5 | Betrieb | 16 |
| 5.1 | Dosieren von Flüssigkeiten | 16 |
| 5.1.1 | Montieren und Demontieren des Dosierkopfs für Flüssigkeiten | 16 |
| 5.1.2 | Dosierhöhe einstellen | 16 |
| 5.1.3 | Befestigen des Dosierkopfs am Flaschenverschluss | 17 |
| 5.1.4 | Handhabung der Flasche | 17 |
| 5.1.5 | Verwendung der QL3-Pumpe | 18 |
| 5.2 | Andere Wägemethoden verwenden | 19 |
| 6 | Wartung | 19 |
| 6.1 | Reinigung | 20 |
| 6.1.1 | Gehäuse reinigen | 20 |
| 6.1.2 | Wägeraum reinigen | 20 |
| 6.1.3 | Reinigung der Flüssigdosierelemente | 20 |
| 6.2 | Austauschen des Dichtrings und der Befestigungsmutter auf der Flüssigkeitsleitung | 21 |
| 7 | Fehlerbehebung | 22 |
| 7.1 | Fehlersymptome | 22 |
| 8 | Technische Daten | 24 |
| 8.1 | Allgemeine Daten | 24 |
| 9 | Entsorgung | 24 |

1 Einleitung

1.1 Weitere Dokumente und Informationen

Dieses Dokument ist online in anderen Sprachen verfügbar.

► www.mt.com/XPR-automatic

Software-Downloads suchen

► www.mt.com/labweighing-software-download

Dokumente suchen

► www.mt.com/library

Wenden Sie sich bei weiteren Fragen an Ihren autorisierten METTLER TOLEDO Händler oder Servicevertreter.

► www.mt.com/contact

1.2 Erklärung der verwendeten Konventionen und Symbole

Konventionen und Symbole

Die Bezeichnungen der Tasten bzw. Schaltflächen sowie die Anzeigetexte werden grafisch oder als fett gedruckter Text dargestellt, z. B. , **Bearbeiten**.

Hinweis

Allgemeine Informationen zum Produkt.

Bezieht sich auf ein externes Dokument.



Anweisungselemente

In diesem Handbuch werden die einzelnen Schritte wie folgt beschrieben. Aktionsschritte sind nummeriert und können Voraussetzungen, Zwischenresultate und Resultate enthalten, wie das Beispiel zeigt. Abfolgen mit weniger als 2 Schritten sind nicht nummeriert.

- Voraussetzungen, die erfüllt sein müssen, bevor die einzelnen Schritte ausgeführt werden können.
- 1 Schritt 1
 - ⇒ Zwischenresultat
- 2 Schritt 2
 - ⇒ Resultat

1.3 Akronyme und Abkürzungen

| Originalbegriff | Übersetzter Begriff | Erklärung |
|-----------------|---------------------|---|
| EMC | EMV | Electromagnetic Compatibility (Elektromagnetische Verträglichkeit) |
| FCC | | Federal Communications Commission |
| LPS | | Limited Power Source (Begrenzte Energieversorgung) |
| POM | | Polyoxymethylene (Polyoxymethylen) |
| RFID | | Radio-frequency identification |
| RM | | Reference Manual (Referenzhandbuch) |
| sd | | Standard deviation |
| SELV | | Safety Extra Low Voltage (Sicherheitskleinspannung) |
| SOP | | Standard Operating Procedure |
| UM | | User Manual (Benutzerhandbuch) |
| USB | | Universal Serial Bus |

1.4 Informationen zur Konformität

Nationale Zulassungsdokumente, wie z. B. die FCC-Konformitätsbescheinigung des Lieferanten, sind online verfügbar und/oder in der Verpackung enthalten.

► <http://www.mt.com/ComplianceSearch>



Ausführlichere Informationen finden Sie im Referenzhandbuch (RM).

► www.mt.com/QLX3-RM

2 Sicherheitshinweise

Für dieses Instrument sind zwei Dokumente verfügbar, das „Benutzerhandbuch“ und das „Referenzhandbuch“.

- Das Benutzerhandbuch liegt in gedruckter Form dem Instrument bei.
- Das Referenzhandbuch liegt in Form einer Datei vor und enthält eine vollständige Beschreibung des Instruments und seiner Verwendung.
- Heben Sie beide Dokumente zur späteren Verwendung auf.
- Legen Sie beide Dokumente bei, wenn Sie das Instrument anderen zur Verfügung stellen.

Verwenden Sie das Instrument stets so, wie im Benutzerhandbuch und dem Referenzhandbuch beschrieben. Wenn das Instrument nicht gemäss dieser beiden Dokumente verwendet oder wenn es modifiziert wird, kann dies die Sicherheit des Instruments beeinträchtigen und die Mettler-Toledo GmbH übernimmt keine Haftung.

2.1 Definition von Signalwörtern und Warningsymbolen

Sicherheitshinweise enthalten wichtige Informationen über Sicherheitsrisiken. Die Missachtung der Sicherheitshinweise kann zu persönlicher Gefährdung, Beschädigung des Geräts, Fehlfunktionen und falschen Ergebnissen führen. Sicherheitshinweise sind mit den folgenden Signalwörtern und Warningsymbolen gekennzeichnet:

Signalwörter

GEFAHR Bezeichnet eine Gefährdung mit hohem Risikograd, die den Tod oder eine schwere Verletzung zur Folge hat, wenn sie nicht vermieden wird.

WARNUNG

Bezeichnet eine Gefährdung mit mittlerem Risikograd, die den Tod oder eine schwere Verletzung zur Folge haben kann, wenn sie nicht vermieden wird.

VORSICHT

Bezeichnet eine Gefährdung mit niedrigerem Risikograd, die eine geringfügige oder mäßige Verletzung zur Folge haben kann, wenn sie nicht vermieden wird.

HINWEIS

Bezeichnet eine Gefährdung mit geringem Risikograd, die zu Schäden am Instrument, anderen Materialschäden, Funktionsstörungen und fehlerhaften Resultaten oder Datenverlust führen kann.

Warnzeichen



Allgemeine Gefahr



Hinweis

2.2 Produktspezifische Sicherheitshinweise

Bestimmungsgemäße Verwendung

Dieses Dosiersystem wurde dafür entwickelt, von geschultem Personal in Analytiklaboren verwendet zu werden. Das Dosiersystem dient zur Einwaage und Dosierung pulverförmiger und flüssiger Stoffe.

Jegliche anderweitige Verwendung, die über die Grenzen der technischen Spezifikationen der Mettler-Toledo GmbH hinausgeht, gilt ohne schriftliche Absprache mit der Mettler-Toledo GmbH als nicht bestimmungsgemäss.

Verantwortlichkeiten des Gerätebesitzers

Der Besitzer des Instruments ist die Person, die den Rechtsanspruch auf das Instrument hat und die das Instrument benutzt oder eine Person befugt, es zu benutzen, oder die Person, die per Gesetz dazu bestimmt wird, das Instrument zu bedienen. Der Besitzer des Instruments ist für die Sicherheit von allen Benutzern des Instruments und von Dritten verantwortlich.

Mettler-Toledo GmbH geht davon aus, dass der Besitzer des Instruments die Benutzer darin schult, das Instrument sicher an ihrem Arbeitsplatz zu benutzen und mit potentiellen Gefahren umzugehen. Mettler-Toledo GmbH geht davon aus, dass der Besitzer des Instruments für die notwendigen Schutzvorrichtungen sorgt.

Schutzausrüstung



Chemikalienbeständige Handschuhe



Schutzbrille



Laborkittel

Sicherheitshinweise



⚠️ WARNUNG

Es besteht Lebensgefahr oder die Gefahr schwerer Verletzungen durch Stromschlag

Der Kontakt mit spannungsführenden Teilen kann zum Tod oder zu Verletzungen führen.

- 1 Verwenden Sie ausschließlich das Stromversorgungskabel und das AC/DC-Netzteil von METTLER TOLEDO, das gezielt für Ihr Instrument ausgelegt wurde.
- 2 Stecken Sie das Stromversorgungskabel in eine geerdete Steckdose.
- 3 Halten Sie alle elektrischen Kabel und Anschlüsse von Flüssigkeiten und Feuchtigkeit fern.
- 4 Überprüfen Sie die Kabel und den Netzstecker vor der Verwendung auf Beschädigungen und tauschen Sie diese bei Beschädigung aus.



WARNUNG

Verletzung und/oder Beschädigung durch Gefahrstoffe

Chemische, biologische oder radioaktive Gefahren können mit den vom Gerät verarbeiteten Stoffen verbunden sein. Während des Dosiervorgangs können kleine Mengen des dosierten Stoffes in die Luft gelangen und in das Gerät eindringen oder die Umgebung verunreinigen.

Die Stoffeigenschaften und die damit verbundenen Gefahren liegen in der vollen Verantwortung des Gerätebesitzers.

- 1 Beachten Sie die mit dem Stoff verbundenen möglichen Gefahren und treffen Sie geeignete Sicherheitsmassnahmen, z. B. diejenigen auf dem vom Hersteller zur Verfügung gestellten Sicherheitsdatenblatt.
- 2 Stellen Sie sicher, dass jedes Gerät, das mit dem Stoff in Berührung kommt, nicht durch den Stoff verändert oder beschädigt wird.



WARNUNG

Verletzung oder Beschädigung durch den Umgang mit Pulver

Pulver können im Dosierkopf verdichtet werden und diesen verstopfen. Wenn zu viel Kraft auf den Dosierkopfmechanismus ausgeübt wird, kann dies zum Bruch führen und potenziell gefährliche Stoffe können in die Luft gelangen.

- 1 Behandeln Sie die Dosierköpfe vorsichtig.
- 2 Wenn der Dosierkopf verstopft scheint, vermeiden Sie eine weitere Dosierung. Entfernen Sie den Kopf vom Gerät und drehen Sie ihn um, damit sich das Pulver lösen kann.
- 3 Stellen Sie bei Undichtigkeiten oder Brüchen die Arbeit sofort ein.



WARNUNG

Verletzung und/oder Beschädigung durch reagierende, brennbare oder explosive Stoffe

Während des Dosiervorgangs können Stoffe kombiniert werden und zu einer exothermen Reaktion oder Explosion führen. Dazu gehören Pulver, Flüssigkeiten und Gase.

Die Stoffeigenschaften und die damit verbundenen Gefahren liegen in der vollen Verantwortung des Gerätebesitzers.

- 1 Beachten Sie die möglichen Gefahren, die mit reagierenden, brennbaren oder explosiven Stoffen verbunden sind.
- 2 Die Betriebstemperatur muss niedrig genug sein, um eine Flammenbildung oder eine Explosion zu verhindern.



WARNUNG

Verletzung oder Tod durch giftige, explosive oder brennbare Stoffe

Wenn Sie mit der Pumpe giftige, explosive oder brennbare Flüssigkeiten verwenden, ist die Abluft verunreinigt.

- Schliessen Sie eine Leitung an den Abluftauslass an, um die verunreinigte Luft aufzufangen.

**! WARNUNG****Verletzung und/oder Sachbeschädigung durch reagierende Stoffe**

Wird der Druck aus der Flasche abgelassen, fließt die Luft/das Gas in der Flasche zurück zum Pumpenmodul. Die aus den gekoppelten Auslässen austretende Luft-/Gasmenge vermischt sich in der Pumpe. Durch diese kontaminierte Luft/dieses kontaminierte Gas können Moleküle der Stoffe in den verschiedenen Flaschen in Kontakt kommen.

- 1 Schließen Sie Flaschen mit inkompatiblen Flüssigkeiten nicht gleichzeitig an dieselbe Pumpe an.
- 2 Bevor Sie eine zweite, inkompatible Flüssigkeit an die Pumpe anschließen, trennen Sie zunächst die erste Flasche und spülen Sie die Pumpenkammer mit sauberer Luft/sauberem Gas.

**! WARNUNG****Gefahr von Verletzungen und Beschädigungen der Pumpe oder Flasche durch hohen Druck**

Ein hoher Druck von externem Gas kann die Pumpe oder die Flasche beschädigen.

- 1 Verwenden Sie einen Regler an der externen Gasleitung.
- 2 Stellen Sie sicher, dass der Druck des externen Gases 0,5 bar (7,2 psi) nicht übersteigt.

**! VORSICHT****Verletzung durch spritzende Flüssigkeiten**

Wenn der Druck in der Flasche nicht abgelassen wird, kann es zu Flüssigkeitsspritzern kommen, wenn das Mikrodosierventil entfernt, die Flasche geöffnet oder die Leitung für Flüssigkeit entfernt wird.

- Lassen Sie immer den Druck ab, bevor Sie das Mikrodosierventil entfernen, die Flasche öffnen oder die Flüssigkeitsleitung abziehen.

**! VORSICHT****Verletzung durch austretende Flüssigkeiten**

Falsch zugeschnittene Leitungen können zu Leckagen an den Verbindungsstellen führen.

- Schneiden Sie die Schläuche mit einem Schlauchschneider oder einem scharfen Messer zurecht.

**! VORSICHT****Verletzung durch bewegliche Teile**

- Greifen Sie nicht in den Arbeitsbereich, während sich Teile des Gerätes bewegen.

**! VORSICHT****Verletzung durch scharfe Gegenstände oder Glasscherben**

Gerätekomponenten, wie z. B. Glas, können brechen und zu Verletzungen führen.

- Gehen Sie immer konzentriert und vorsichtig vor.

**HINWEIS****Beschädigung des Gerätes oder Fehlfunktion durch den Einsatz nicht geeigneter Teile**

- Verwenden Sie nur Teile von METTLER TOLEDO, die für die Verwendung mit Ihrem Gerät bestimmt sind.



HINWEIS

Beschädigung des Geräts

Das Gerät enthält keine Teile, die vom Benutzer gewartet, repariert oder ausgetauscht werden können.

- 1 Öffnen Sie das Gerät nicht.
- 2 Wenden Sie sich bei Problemen an Ihre zuständige METTLER TOLEDO-Vertretung.



HINWEIS

Beschädigung des Gerätes durch ungeeignete Reinigungsmethoden

Wenn Flüssigkeiten in das Gehäuse gelangen, kann das Gerät beschädigt werden. Die Oberfläche des Geräts kann durch bestimmte Reinigungs-, Lösungs- oder Scheuermittel beschädigt werden.

- 1 Sprühen oder giessen Sie keine Flüssigkeiten auf das Gerät.
- 2 Verwenden Sie ausschließlich die im Referenzhandbuch (RM) des Geräts oder im Leitfaden "8 Steps to a Clean Balance" angegebenen Reinigungsmittel.
- 3 Verwenden Sie zum Reinigen des Geräts nur ein leicht angefeuchtetes, fusselfreies Tuch.
- 4 Wischen Sie verschüttete Flüssigkeiten sofort ab.

3 Aufbau und Funktion

3.1 Funktionsbeschreibung

Das **QLX3-Flüssigdosiermodul** ergänzt XPR-Analysenwaagen um die Funktion zur automatischen Dosierung von Flüssigkeiten. Der Dosierkopf für Flüssigkeiten ist am Flüssigdosiermodul montiert und befindet sich im Wägearaum. Die vertikale Position des Flüssigdosiermoduls wird manuell eingestellt. Die **QL3-Pumpe** und das **QLL-Kit für Flaschen** komplettieren das System. Die **QL3-Pumpe** wird verwendet, um Druck in der Flasche aufzubauen. Sobald der Druck ausreichend hoch ist, öffnet sich das Mikrodosierventil im Dosierkopf für Flüssigkeiten, und in der Flüssigkeitsleitung steigt Flüssigkeit auf. Es können mehrere Pumpen gleichzeitig an die Waage angeschlossen werden, und jede Pumpe kann bis zu drei Flaschen aufnehmen (QLL-Kits).

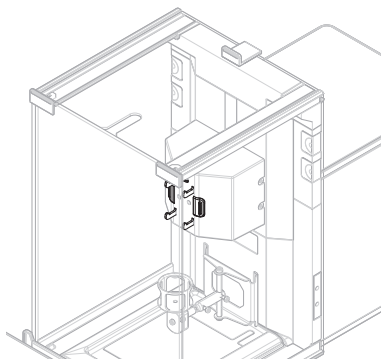
3.2 Übersicht

Siehe den Abschnitt „Overview“ (Grafiken und Legenden) am Anfang dieses Handbuchs.

3.3 Komponentenbeschreibung

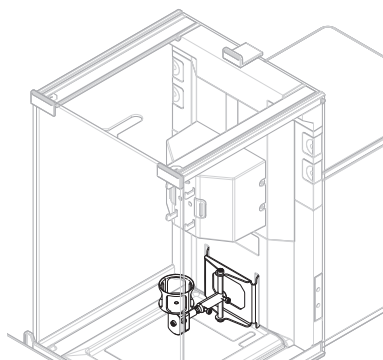
Dosierkopfhalter

Der Dosierkopf für Flüssigkeiten ist am Dosierkopfhalter befestigt. Der Dosierkopf kann durch Drücken eines der beiden Entriegelungsknöpfe an den Seiten des Halters gelöst werden.



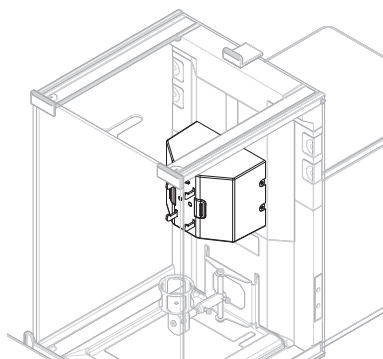
ErgoClip Vial

ErgoClip Vial wird zusammen mit Adaptern für Probenbehälter verwendet, um die Behälter optimal zu positionieren. Diese Adapter sind für Probenbehälter mit unterschiedlichen Durchmessern und Höhen erhältlich. Siehe Zubehör.



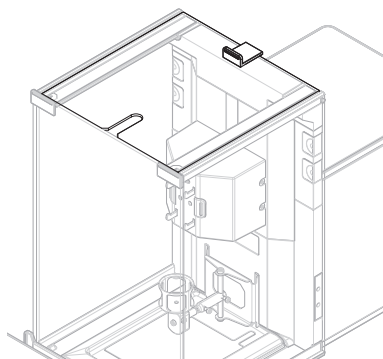
Flüssigdosiermodul

Im Flüssigdosiermodul befindet sich der Dosierkopf für Flüssigkeiten. Er kann manuell nach oben und unten bewegt werden, um den Abstand zwischen dem Probenbehälter und der Spitze des Dosierkopfs einzustellen.



Obere Tür des Flüssigdosiermoduls

Die Tür an der Oberseite des Flüssigdosiermoduls ist mit einer Öffnung versehen. Durch diese wird die Flüssigkeitsleitung in den Wägeraum geführt. Die Tür nutzt dieselben Führungen wie die Standardtür der Waage und lässt sich sowohl manuell als auch automatisch öffnen und schließen.

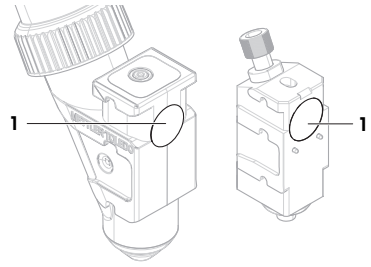


3.4 RFID-Tag am Dosierkopf

Jeder Pulver- und Flüssigkeitsdosierkopf ist mit einem integrierten RFID-Tag (1) ausgestattet, auf dem Daten gespeichert und mit dem Gerät ausgetauscht werden.

Im RFID-Tag der Dosierköpfe werden verschiedene Daten gespeichert, wie Substanzname, Chargen-ID, Fülldatum, Ablaufdatum usw. Dazu gehören auch kundenspezifische Datenfelder.

Diese Daten können am Terminal bearbeitet werden und sollten vor der Verwendung eines neuen Dosierkopfs so eingestellt werden, dass die Daten für Berichte und Etiketten verfügbar sind.



4 Installation und Inbetriebnahme

Dieses Zubehör muss von einem METTLER TOLEDO-Service-Techniker installiert werden.

Das QLX3-Flüssigdosiermodul ist mit allen XPR-Analysenwaagen mit hohem Windschutz kompatibel.

4.1 Lieferumfang

QLX3-Flüssigdosiermodul

- QLX3-Flüssigdosiermodul
- Obere Tür des Flüssigdosiermoduls
- ErgoClip Vial
- Verschiedene Behälteradapter, 4 Stück
- Konformitätsbescheinigung
- Benutzerhandbuch

Den Lieferumfang der **QL3-Pumpe** und der **QLL-Kits für Flaschen** finden Sie in der mit diesen Produkten gelieferten Dokumentation.

4.2 Wahl des Aufstellortes

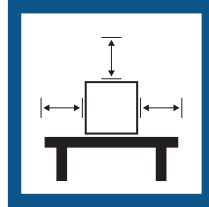
Eine Waage ist ein empfindliches Präzisionsinstrument. Der richtige Standort hat erheblichen Einfluss auf die Genauigkeit der Wägeregebnisse.

Anforderungen an den Aufstellort

In Innenräumen auf einem stabilen Tisch



Auf ausreichenden Abstand achten



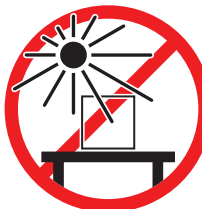
Gerät nivellieren



Für angemessene Beleuchtung sorgen



Direkte Sonneneinstrahlung vermeiden



Vibrationen vermeiden



Starke Zugluft vermeiden



Temperaturschwankungen vermeiden

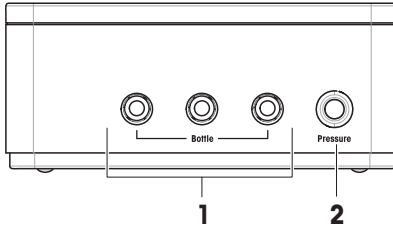


Ausreichend Abstand für Waagen: > 15 cm auf allen Seiten des Gerätes
 Berücksichtigen Sie die Umgebungsbedingungen. Siehe "Technische Daten".

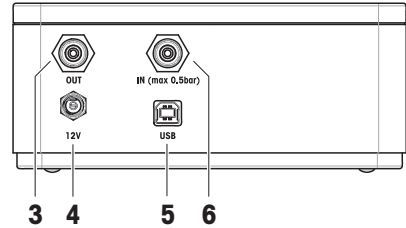
4.3 Einrichten des Flüssigdosiersystems

4.3.1 Schnittstelle der Pumpe

Vorderseite



Rückseite



| | | | |
|---|--|---|----------------------------|
| 1 | Luffauslass (zur Flasche) | 4 | Anschluss für Netzadapter |
| 2 | Druckentlastungsknopf und Anzeigeleuchte | 5 | USB-B-Anschluss (zum Host) |
| 3 | Abluffauslass | 6 | Luffeinlass |

4.3.2 Verkabeln der Pumpe

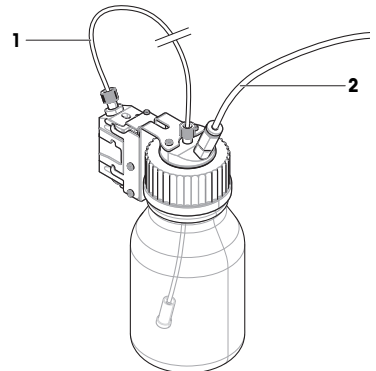
- 1 Platzieren Sie die Kabel so, dass sie weder beschädigt werden noch den Betrieb behindern können.
- 2 Verbinden Sie den Stecker des Netzadapters mit der Netzbuchse der Pumpe.
- 3 Sichern Sie den Stecker durch Festdrehen der Rändelmutter.
- 4 Stecken Sie das Netzkabel in eine leicht zugängliche und geerdete Steckdose.
- 5 Verbinden Sie den USB-B-Anschluss der Pumpe mit dem USB-Kabel mit einem der USB-A-Anschlüsse der Waage.

4.3.3 Anschliessen der Schläuche

Leitungsbeschreibung

Die dünnere Leitung ist die Flüssigkeitsleitung (1) und dient zum Transport der Flüssigkeit aus der Flasche zum Dosierkopf für Flüssigkeiten. Die Luftleitung ist die Leitung mit dem etwas grösseren Aussendurchmesser (2), durch die Luft in die Flasche gepumpt wird. Mit der durch die Luftleitung zugeführten Luft wird der Druck in der Flasche erhöht. Sobald der Zieldruck von 0,3 bis 0,5 bar (4,4 bis 7,2 psi) erreicht wird, öffnet sich das Mikrodosierventil im Dosierkopf, und in der Flüssigkeitsleitung kann Flüssigkeit aufsteigen.

- 1 Leitung für Flüssigkeit



Vorbereiten der Leitung für Flüssigkeit



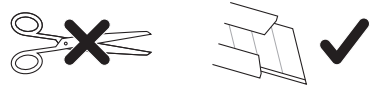
⚠ VORSICHT

Verletzung durch austretende Flüssigkeiten

Falsch zugeschnittene Leitungen können zu Leckagen an den Verbindungsstellen führen.

- Schneiden Sie die Schläuche mit einem Schlauchschneider oder einem scharfen Messer zurecht.

- Der Dosierkopf für Flüssigkeiten ist im Dosierkopfräger der Flasche montiert.
- 1 Schneiden Sie die Leitung mithilfe eines Schlauchschneiders oder eines scharfen Messers entsprechend zu. Die geeignete Länge hängt hauptsächlich vom Abstand zwischen Waage und Flasche während der Dosierung ab. Empfohlene Länge: etwa 0,9 m



- 2 **HINWEIS: Infolge falscher Montage kann Flüssigkeit austreten. Achten Sie auf die Ausrichtung des Dichtrings, wenn Sie ihn auf die Leitung aufschieben.**

Legen Sie die Seite des Dichtrings (1) mit dem grösseren Durchmesser auf eine ebene, stabile Fläche, z. B. einen Tisch oder eine Arbeitsfläche.

- 3 Nehmen Sie das Ende der Leitung für Flüssigkeit und drücken Sie es in den Dichtring.

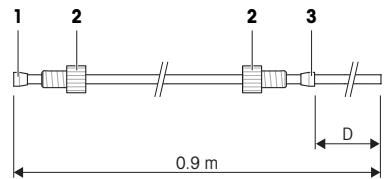
➔ Dies ist das Dosierkopfende der Leitung. Das andere Ende ist das Flaschenende.

- 4 Schrauben Sie die beiden Befestigungsmuttern (2) unter Beachtung der Ausrichtung an.

- 5 **HINWEIS: Infolge falscher Montage kann Flüssigkeit austreten. Achten Sie auf die Ausrichtung des Dichtrings, wenn Sie ihn auf die Leitung aufschieben.**

Schrauben Sie den Dichtring (3) vom Flaschenende der Leitung her an.

- 6 Schieben Sie den Dichtring auf, bis der Abstand (D) ausreicht, damit die Leitung den Flaschenboden erreichen kann. Nachfolgend sind die für typische Flaschenvolumina empfohlenen Abstände angegeben.

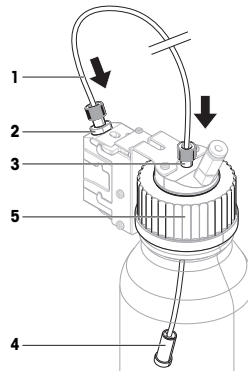


Typische Abstände (D) der Leitung zwischen Dichtring und Flaschenende

| Gewinde | Flaschenvolumen | Abstand (D) |
|---------|-----------------|-------------|
| GL45 | 1000 ml | 220 mm |
| | 500 ml | 170 mm |
| | 250 ml | 135 mm |
| GL25 | 25 ml | 90 mm |

Anschliessen der Leitung für Flüssigkeit

- 1 Schieben Sie das Dosierkopfende der Leitung (1) in den Dosierkopf (2).
- 2 Ziehen Sie die Befestigungsmutter fest an dem Dosierkopf an.
- 3 Schieben Sie das Flaschenende der Leitung durch die entsprechende Öffnung im Flaschenverschluss (3). Die Leitung sollte den Boden der Flasche erreichen.
- 4 Befestigen Sie den Ansaugfilter (4) am Flaschenende der Leitung.
- 5 Ziehen Sie die Befestigungsmutter am Flaschenverschluss fest.
- 6 Schrauben Sie den Verschluss auf die Flasche (5).



Mit dem Ansaugfilter wird sichergestellt, dass keine Partikel oder Verunreinigungen durch den Dosierkopf für Flüssigkeiten befördert werden. Die Verwendung des Ansaugfilters verlängert die Lebensdauer des Dosierkopfs. Beim Dosieren von Lösungen können jedoch Moleküle einer der Substanzen vom Ansaugfilter absorbiert werden, wodurch die Konzentration der Lösung verändert wird. Der Ansaugfilter sollte nur zum Dosieren reiner Lösemittel verwendet werden.

Anschliessen der Luftleitung



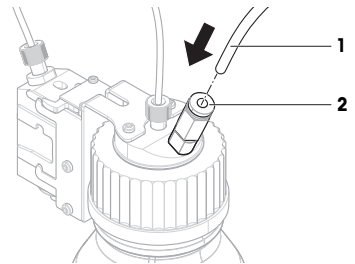
⚠️ WARNUNG

Verletzung und/oder Sachbeschädigung durch reagierende Stoffe

Wird der Druck aus der Flasche abgelassen, fließt die Luft/das Gas in der Flasche zurück zum Pumpenmodul. Die aus den gekoppelten Auslässen austretende Luft-/Gasmenge vermischt sich in der Pumpe. Durch diese kontaminierte Luft/dieses kontaminierte Gas können Moleküle der Stoffe in den verschiedenen Flaschen in Kontakt kommen.

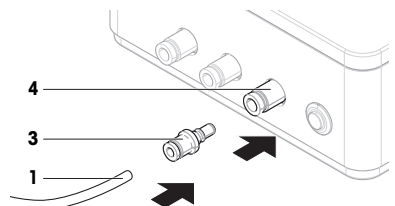
- 1 Schließen Sie Flaschen mit inkompatiblen Flüssigkeiten nicht gleichzeitig an dieselbe Pumpe an.
- 2 Bevor Sie eine zweite, inkompatible Flüssigkeit an die Pumpe anschließen, trennen Sie zunächst die erste Flasche und spülen Sie die Pumpenkammer mit sauberer Luft/sauberem Gas.

- 1 Schneiden Sie die Leitung mithilfe eines Schlauchschneiders oder eines scharfen Messers entsprechend zu. Die geeignete Länge hängt hauptsächlich vom Abstand zwischen Flasche und Pumpe während der Dosierung ab. Empfohlene Länge: etwa 0,7 m
- 2 Verbinden Sie die Luftleitung (1) mit dem Lufteinlass der Flasche (2).



- 3 Stecken Sie das andere Ende der Luftleitung (1) in einen Leitungsadapter (3) und drücken Sie es fest.
- 4 Schliessen Sie den Leitungsadapter (3) an einen der Luftauslässe (4) der Pumpe an. Drücken Sie, bis Sie ein Klicken hören.

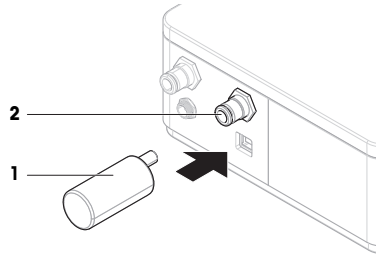
Wenn eine Leitung mit dem Luftauslass der Pumpe verbunden ist, öffnet sich das Ventil des Luftauslasses. Eine am Luftauslass angeschlossene Leitung muss mit ihrem anderen



Ende ebenfalls angeschlossen werden, da sich sonst kein Druck aufbauen kann.
An jede Pumpe können bis zu drei Flaschen angeschlossen werden.

Anschliessen des Dämpfers

- Montieren Sie den Dämpfer (1) am Lufteinlass (2), um entstehende Geräusche zu unterbinden.



Entfernen der Luftleitung



HINWEIS

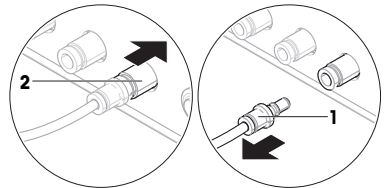
Beschädigung der Leitungsanschlüsse durch Fehlbedienung

Wenn die Leitungen nicht korrekt entfernt werden, kann es zu Schäden an den Anschlüssen der Pumpe und dem Flaschenverschluss kommen.

- Zum Entfernen der Leitungen drücken Sie auf den Ring am Anschluss und ziehen Sie die Leitung vorsichtig ab.

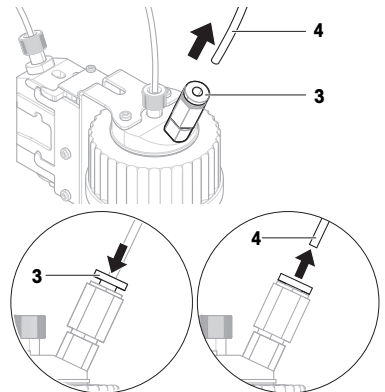
- 1 Entfernen Sie den Leitungsadapter (1) von der Pumpe, indem Sie den Anschluss (2) am Luftauslass in Richtung Pumpe schieben.

➔ Der Adapter löst sich und kann entfernt werden.



- 2 Entfernen Sie die Luftleitung aus der Flasche, indem Sie den Ring (3) fest nach unten drücken und gleichzeitig an der Leitung (4) ziehen.

- 3 Falls erforderlich, z. B. für Wartungszwecke, verwenden Sie dasselbe Verfahren, um die Luftleitung vom Leitungsadapter zu entfernen: drücken Sie fest auf den Ring und ziehen Sie gleichzeitig an der Leitung.



Verwendung der Pumpe mit externem Gas

Die Flüssigkeit kann geschützt werden, indem der Pumpe ein externes Gas, z. B. Stickstoff, zugeführt wird. Stellen Sie sicher, dass der Druck des externen Gases 0,5 bar (7,2 psi) nicht übersteigt.



! WARNUNG

Gefahr von Verletzungen und Beschädigungen der Pumpe oder Flasche durch hohen Druck

Ein hoher Druck von externem Gas kann die Pumpe oder die Flasche beschädigen.

- 1 Verwenden Sie einen Regler an der externen Gasleitung.
- 2 Stellen Sie sicher, dass der Druck des externen Gases 0,5 bar (7,2 psi) nicht übersteigt.

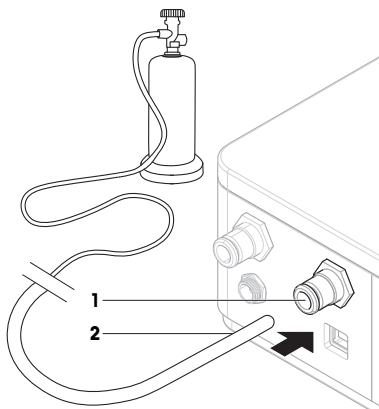
- Die externe Gasleitung ist an einem Regler angeschlossen.
- 1 Entfernen Sie den Dämpfer vom Luffeinlass (1).
 - 2 Schliessen Sie die externe Gasleitung (2) am Luffeinlass (1) an.

Hinweis

Aussendurchmesser: 6 mm

Druck in externer Gasleitung: Der Druck muss mindestens 0,1 bar (1,5 psi) betragen. Der Druck darf den konfigurierten, am Terminal eingestellten Dosierdruck nicht überschreiten.

Die externe Gasleitung wird von METTLER TOLEDO nicht bereitgestellt.



Auffangen verunreinigter Luft



! WARNUNG

Verletzung oder Tod durch giftige, explosive oder brennbare Stoffe

Wenn Sie mit der Pumpe giftige, explosive oder brennbare Flüssigkeiten verwenden, ist die Abluft verunreinigt.

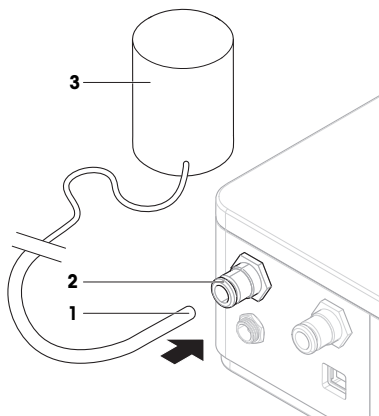
- Schliessen Sie eine Leitung an den Abluftauslass an, um die verunreinigte Luft aufzufangen.

- Verbinden Sie eine Leitung (1) mit dem Abluftauslass (2), um die verunreinigte Luft in einem sicheren Behälter (3) aufzufangen.

Hinweis

Aussendurchmesser: 6 mm

Ablufleitung und Behälter werden nicht von METTLER TOLEDO zur Verfügung gestellt.



5 Betrieb

5.1 Dosieren von Flüssigkeiten



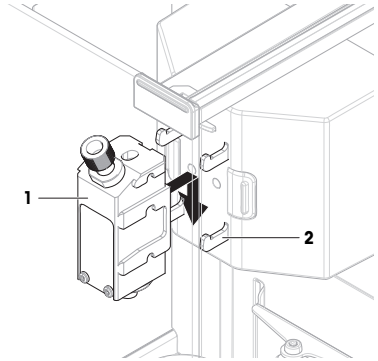
Ausführlichere Informationen finden Sie im Referenzhandbuch (RM) Ihrer XPR-Waage.

► www.mt.com/XPR-analytical-RM

5.1.1 Montieren und Demontieren des Dosierkopfs für Flüssigkeiten

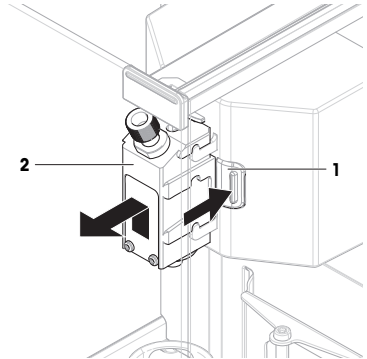
Dosierkopf montieren

- 1 Schieben Sie den Dosierkopf (1) bis zum Anschlag auf den Dosierkopfhalter (2).
- 2 Drücken Sie den Dosierkopf leicht nach unten, bis er richtig im Dosierkopfhalter sitzt (2).
➔ Der Dosierkopf ist im Halter verriegelt.
- 3 Führen Sie die Leitung für Flüssigkeiten durch die Öffnung in der oberen Tür.
➔ Der Dosierkopf ist jetzt bereit für Dosierungen.



Demontieren des Dosierkopfs

- 1 Drücken Sie den Entriegelungsknopf (1) auf einer der beiden Seiten des Dosierkopfhalters, um den Dosierkopf zu lösen (2).
- 2 Ziehen Sie gleichzeitig den Dosierkopf (2) nach oben und aussen.

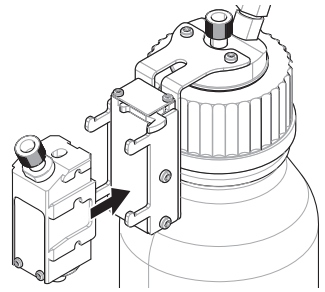


5.1.2 Dosierhöhe einstellen

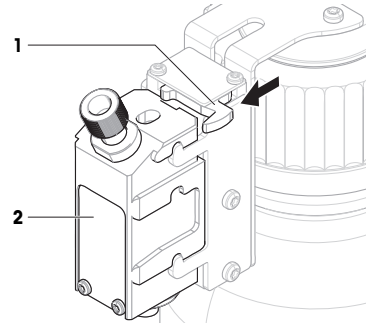
Die Einstellung der vertikalen Position des Flüssigdosiermoduls erfolgt durch manuelles Auf- und Abwärtsbewegen entlang der Führungen.

5.1.3 Befestigen des Dosierkopfs am Flaschenverschluss

- 1 Setzen Sie den Dosierkopf für Flüssigkeiten in den Dosierkopfträger ein.



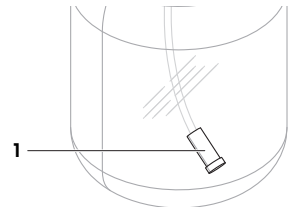
- 2 Um den Dosierkopf für Flüssigkeiten aus dem Dosierkopfträger zu entfernen, ziehen Sie den Hebel (1) in Richtung Dosierkopf und entfernen den Dosierkopf für Flüssigkeiten (2).



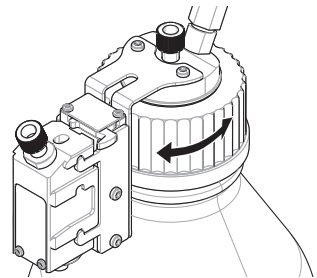
5.1.4 Handhabung der Flasche

Befüllen der Flasche

Der Ansaugfilter (1) muss immer mit Flüssigkeit bedeckt sein. Füllen Sie die Flasche wieder auf, bevor der Ansaugfilter trocken wird.



- Der Druck ist abgelassen.
- 1 **⚠ VORSICHT: Verletzung durch spritzende Flüssigkeiten. Stellen Sie sicher, dass der Druck in der Flasche abgelassen ist.**
Schrauben Sie den Verschluss ab.
 - 2 Füllen Sie die Flüssigkeit ein. Die maximale Füllmenge darf nicht überschritten werden (die Höchstmenge ist auf der Flasche angegeben, z. B. 1000 ml). Die über der Flüssigkeit befindliche Luft wird für den Dosiervorgang gebraucht.
 - 3 Verschluss fest zuschrauben.



Austauschen des Flascheninhalts

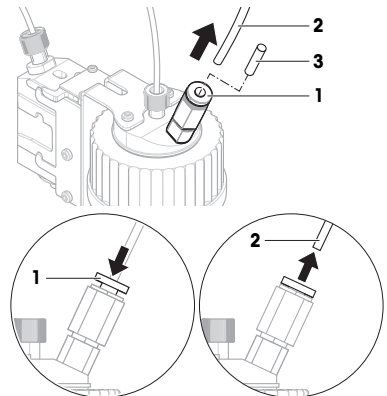
Dieses Verfahren wird angewendet, wenn Sie einen einzelnen Verschluss mit Dosierkopf haben und die zu dosierende Flüssigkeit wechseln möchten.

- Der Druck ist abgelassen.
- 1 **⚠ VORSICHT: Verletzung durch spritzende Flüssigkeiten. Stellen Sie sicher, dass der Druck in der Flasche abgelassen ist.**
Schrauben Sie den Verschluss ab.
- 2 Entfernen Sie erforderlichenfalls den Ansaugfilter.
- 3 Wenn der Verschluss gereinigt werden muss, entfernen Sie die Luftleitung.
Schrauben Sie die Befestigungsmutter vom Verschluss ab.
Spülen Sie den Verschluss mit dem geeigneten Lösemittel oder der entsprechenden Flüssigkeit.
Schieben Sie die Leitung für Flüssigkeit in den Verschluss.
- 4 Wenn die Leitung für Flüssigkeit mit einem Lösemittel gereinigt werden muss, füllen Sie die Flasche mit dem entsprechenden Lösemittel.
Schrauben Sie den Verschluss auf die Flasche.
Schieben Sie die Luftleitung in den Verschluss.
Spülen Sie mit der **Spülen** Funktion am Terminal.
Schrauben Sie den Verschluss ab.
Entsorgen Sie den Rest des Lösemittels.
- 5 Bringen Sie erforderlichenfalls einen neuen Ansaugfilter an.
- 6 Schrauben Sie den Verschluss auf die Flasche mit der neuen Flüssigkeit.
- 7 Überprüfen Sie, ob die Kappe dicht ist.
- 8 Schliessen Sie die Luftleitung an die neue Flasche an.
- 9 Spülen Sie mit der **Spülen** Funktion.

Anschliessen der Luftleitung an eine andere Flasche

Wenn mehr als eine Flasche mit Verschluss und Dosierkopf ausgestattet ist und Sie denselben Pumpenauslass und dieselbe Luftleitung zum Dosieren aus einer anderen Flasche verwenden möchten:

- Der Druck ist abgelassen.
- 1 Montieren Sie den Dosierkopf auf dem Dosierkopfträger der Flasche.
- 2 Ziehen Sie die Luftleitung ab, indem Sie den Ring (1) herunterdrücken und gleichzeitig die Leitung (2) herausziehen.
- 3 Um die Flasche zu verschliessen, stecken Sie den im QLL-Kit enthaltenen Stift (3) in den Anschluss für die Luftleitung.
- 4 Nehmen Sie eine neue Flasche.
- 5 Schliessen Sie die Luftleitung an die neue Flasche an.
- 6 Um mit der neuen Flasche weiter dosieren zu können, montieren Sie den Dosierkopf.



5.1.5 Verwendung der QL3-Pumpe

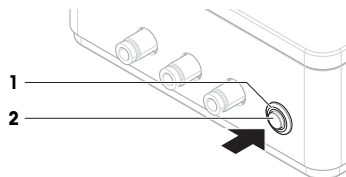
Anzeigeleuchte Druck

Die Anzeigeleuchte Druck zeigt den Status der Pumpe an:

- Leuchte an: Druck wird aufgebaut oder Druck ist bereits aufgebaut
- Leuchte aus: Druck nicht vorhanden und kein Druck wurde aufgebaut
- Leuchte blinkt: Fehler Pumpe und/oder Warnung

Druckentlastung

- Die Anzeigeleuchte (1) Druck leuchtet.
- Drücken Sie den Druckentlastungsknopf (2), um den Druck abzulassen.
- ➔ Die Statusleuchte (1) erlischt, wenn der Druck abgelassen ist.



Spülen der Pumpenkammer

Wenn Flaschen mit inkompatiblen Flüssigkeiten (und deren Dämpfe sich nicht mischen dürfen) nacheinander an die Pumpe angeschlossen werden, wird empfohlen, die Pumpenkammer zu spülen, bevor die zweite Flasche an die Pumpe angeschlossen wird.

- Am Dosier- oder Flüssigdosiermodul ist ein Dosierkopf angebracht. Die Flasche dieses Dosierkopfs ist nicht an eine Pumpe angeschlossen.
- Auf dem Terminal läuft die Methode **Automatisiertes Dosieren** oder **Automatisierte Lösungsvorb.**
 - 1 Trennen Sie alle Leitungsadapter von der Pumpe.
 - 2 Schliessen Sie an der Vorderseite der Pumpe am ganz rechts gelegenen Luftauslass einen leeren Leitungsadapter an.
 - ➔ Die Pumpe versucht, Druck aufzubauen. Dabei strömt Luft durch die Pumpenkammer und spült diese.
- ➔ Die Pumpenkammer wurde gespült und die Flaschen können wieder sicher an die Luftauslässe angeschlossen werden.

5.2 Andere Wägemethoden verwenden

Um andere Verfahren mit der Waage durchzuführen, bewegen Sie das Flüssigdosiermodul in die oberste Position.



Ausführlichere Informationen finden Sie im Referenzhandbuch (RM) Ihrer XPR-Waage.

► www.mt.com/XPR-analytical-RM

6 Wartung

Die angemessenen Wartungsintervalle richten sich nach den geltenden Standardarbeitsanweisungen Ihres Betriebs (SOP).

Erkundigen Sie sich bei Ihrem METTLER TOLEDO-Vertreter nach den verfügbaren Serviceoptionen. Regelmässige Wartung durch einen autorisierten Servicetechniker garantiert eine über Jahre gleichbleibende Wägegenauigkeit und verlängert die Lebensdauer Ihres Instruments.

6.1 Reinigung



HINWEIS

Beschädigung des Gerätes durch ungeeignete Reinigungsmethoden

Wenn Flüssigkeiten in das Gehäuse gelangen, kann das Gerät beschädigt werden. Die Oberfläche des Geräts kann durch bestimmte Reinigungs-, Lösungs- oder Scheuermittel beschädigt werden.

- 1 Sprühen oder giessen Sie keine Flüssigkeiten auf das Gerät.
- 2 Verwenden Sie ausschliesslich die im Referenzhandbuch (RM) des Geräts oder im Leitfaden "8 Steps to a Clean Balance" angegebenen Reinigungsmittel.
- 3 Verwenden Sie zum Reinigen des Geräts nur ein leicht angefeuchtetes, fusselfreies Tuch.
- 4 Wischen Sie verschüttete Flüssigkeiten sofort ab.



Weitere Informationen zur Reinigung einer Waage finden Sie unter "8 Steps to a Clean Balance".

► www.mt.com/lab-cleaning-guide



Detaillierte Informationen zur Kompatibilität von Reinigungsmitteln finden Sie im Referenzhandbuch (RM) Ihrer XPR-Waage.

► www.mt.com/XPR-analytical-RM

6.1.1 Gehäuse reinigen

Das Gehäusematerial des Flüssigdosiermoduls ist dasselbe wie das der Waage. Alle Oberflächen können mit einem handelsüblichen milden Reinigungsmittel gereinigt werden.

6.1.2 Wägeraum reinigen

Das Reinigungsverfahren ist dasselbe wie bei der Waage. Weitere Informationen finden Sie im Referenzhandbuch der Waage.

6.1.3 Reinigung der Flüssigdosierelemente

Reinigung des Ansaugfilters

- 1 **Wöchentlich** den Ansaugfilter visuell auf Verschmutzung prüfen. Den Ansaugfilter bei Bedarf mit Lösemittel über die **Spülen** Funktion am Terminal spülen oder den Ansaugfilter austauschen.
- 2 Mindestens **einmal im Jahr** den Ansaugfilter ersetzen. Die Wartungsintervalle richten sich danach, welche Art Flüssigkeiten dosiert werden.

Spülen des Dosierkopfs für Flüssigkeiten

Der Dosierkopf für Flüssigkeiten kann mit einer grossen Menge durchlaufenden Lösemittels (oder einer anderen Flüssigkeit) gespült/gesäubert werden. Verwenden Sie dazu die **Spülen** Funktion. Siehe Referenzhandbuch der XPR-Waage.

- Die Flasche ist mit ausreichend Lösemittel gefüllt, um den Dosierkopf zu spülen.
- Auf der Waagschale befindet sich ein großer Probenbehälter zum Auffangen des zum Spülen des Dosierkopfs verwendeten Lösemittels.
- Der Dosierkopf für Flüssigkeiten ist am Dosier- oder Flüssigdosiermodul installiert.
 - Verwenden Sie zum Spülen des Dosierkopfs die **Spülen** Funktion am Terminal.

Mikrodosierventil reinigen

Der Dosierkopf für Flüssigkeiten QL001 verfügt über ein Mikrodosierventil. Es kann zerlegt und z. B. in einem Ultraschallbad gereinigt werden.

Hinweis

Der Dosierkopf QL003 enthält kein Mikrodosierventil. Zur Reinigung dieses Dosierkopfs ist die **Spülen** Funktion ausreichend (siehe oben).

- Der Dosierkopf für Flüssigkeiten ist am Dosier- oder Flüssigdosiermodul installiert.
- Auf der Waagschale befindet sich ein Probenbehälter, der gross genug für die Flüssigkeitsmenge in der Leitung für Flüssigkeit ist.
- Der Druck ist abgelassen.

1 **VORSICHT: Verletzung durch spritzende Flüssigkeiten. Stellen Sie sicher, dass der Druck in der Flasche abgelassen ist.**

Entleeren Sie die Leitung für Flüssigkeit, indem Sie die Flasche durch eine leere Flasche ersetzen und verwenden Sie die **Spülen** Funktion.

➔ Die Leitung für Flüssigkeit ist entleert.

2 Druck ablassen.

3 **VORSICHT: Verletzung durch spritzende Flüssigkeiten. Stellen Sie sicher, dass der Druck in der Flasche abgelassen ist.**

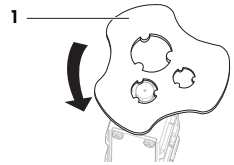
Entfernen Sie den Dosierkopf vom Dosier- oder Flüssigdosiermodul.

4 **WARNUNG: Verletzung oder Verunreinigung durch Gefahrstoffe. Achten Sie auf die Gefahr durch Flüssigkeiten, die aus den Leitungen oder aus dem Ventil austreten können.**

Öffnen Sie Dosierkopf im Bedarfsfall mit dem Werkzeug für Mikrodosierventile (1).

5 Entnehmen Sie das Mikrodosierventil und reinigen Sie es beispielsweise in einem Ultraschallbad.

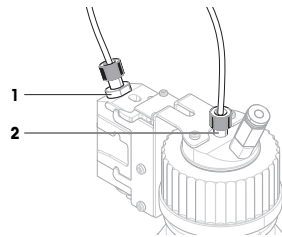
6 Montieren Sie nach der Reinigung das Mikrodosierventil wieder und füllen/ersetzen Sie die Flasche.



6.2 Austauschen des Dichtrings und der Befestigungsmutter auf der Flüssigkeitsleitung

Entfernen von Dichtring und Befestigungsmutter

Ersetzen Sie den Dichtring und die Befestigungsmutter am Dosierkopf, wenn aus der Befestigungsmutter Flüssigkeit austritt (1). Wenn in der Flasche kein Druck aufgebaut wird, ersetzen Sie den Dichtring und die Befestigungsmutter am Flaschenverschluss (2).



- Der Druck ist abgelassen.

1 **VORSICHT: Verletzung durch spritzende Flüssigkeiten. Stellen Sie sicher, dass der Druck in der Flasche abgelassen ist.**

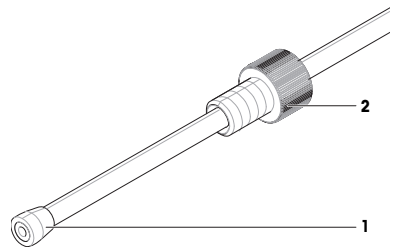
Lösen Sie die Befestigungsmutter am Dosierkopf oder am Flaschenverschluss.

2 Schieben Sie die Befestigungsmutter (1) zurück, um an den Dichtring (2) zu gelangen.

3 Wenn Sie Mutter und Ring am Flaschenverschluss wechseln, entfernen Sie den Ansaugfilter und schieben Sie den Dichtring bis zum Flaschenende der Leitung.

4 Schneiden Sie die Leitung oberhalb des Dichtrings mit einem Leitungsschneider oder einem scharfen Messer ab (1).

5 Entfernen Sie die Befestigungsmutter.



Wiederschliessen der Leitung für Flüssigkeit

Setzen Sie einen neuen Dichtring für die Befestigungsmutter ein und schliessen Sie die Flüssigkeitsleitung wieder an.

Sehen Sie dazu auch

 Anschliessen der Schläuche ▶ Seite 11

7 Fehlerbehebung



Ausführlichere Informationen finden Sie im Referenzhandbuch (RM) Ihrer XPR-Waage.

▶ www.mt.com/XPR-analytical-RM

7.1 Fehlersymptome

| Fehlersymptom | Mögliche Ursache | Diagnose | Behebung |
|---|---|--|--|
| Der Dosierkopf für Flüssigkeiten gibt keine Flüssigkeit ab. | Der Ansaugfilter ist verstopft. | Prüfen Sie, ob sich Flüssigkeit in der Leitung für Flüssigkeit befindet. | Ansaugfilter reinigen oder austauschen. |
| | Der Dosierkopf ist nicht korrekt montiert. | – | Dosierkopf aus dem Halter aus- und wieder einbauen. Drücken Sie, bis Sie ein Klicken hören. |
| Flüssigkeit läuft aus dem Flaschenverschluss und/oder dem Dosierkopf aus. | Die Leitung ist nicht korrekt angeschlossen. | – | Ziehen Sie die Befestigungsmutter am Flaschenverschluss und/oder am Dosierkopf fest. Stellen Sie sicher, dass das Leitungsende gerade abgeschnitten ist. |
| | Dichtring und/oder Befestigungsmutter sind beschädigt. | – | Wechseln Sie den Dichtring und die Befestigungsmutter am Flaschenverschluss und/oder am Dosierkopf. Siehe "Wartung". Stellen Sie sicher, dass das Leitungsende gerade abgeschnitten ist. |
| Flüssigkeit tropft aus dem Dosierkopf QL003 für Flüssigkeiten. | Verunreinigungen sind in den Dosierkopf QL003 für Flüssigkeiten eingedrungen. | – | Verwenden Sie zum Spülen des Dosierkopfs mindestens 10 Sekunden lang die Spülen Funktion. Überprüfen Sie, ob der Dosierkopf immer noch tropft. Wiederholen Sie den Vorgang bei Bedarf. Ersetzen Sie den Dosierkopf, falls er nicht ordnungsgemäss gereinigt werden kann. |

| Fehlersymptom | Mögliche Ursache | Diagnose | Behebung |
|--|---|---|---|
| Die Statusleuchte der Pumpe blinkt nicht, obwohl das Gerät an die Stromversorgung angeschlossen ist. | Die Pumpe ist von der Stromversorgung getrennt. | Trennen Sie den Netzadapter von der Pumpe und schliessen Sie ihn wieder an. Die Anzeigeleuchte sollte einmal blinken, wenn das Gerät an die Stromversorgung angeschlossen ist. Stellen Sie sicher, dass der Netzadapter und das Netzkabel nicht beschädigt sind. | Tauschen Sie Netzadapter und Netzkabel aus. |
| | Die Pumpe ist beschädigt. | Gegebenenfalls mit einer anderen Pumpe überprüfen. | Pumpe austauschen. Wenden Sie sich an Ihren METTLER TOLEDO-Servicevertreter. |
| Auf der Anzeige erscheint die QL3-Pumpe nicht in der Liste der an die Waage angeschlossenen Geräte. | Die Pumpe ist von der Stromversorgung getrennt. | Trennen Sie den Netzadapter von der Pumpe und schliessen Sie ihn wieder an. Die Anzeigeleuchte sollte einmal blinken, wenn das Gerät an die Stromversorgung angeschlossen ist. Stellen Sie sicher, dass der Netzadapter und das Netzkabel nicht beschädigt sind. | Tauschen Sie Netzadapter und Netzkabel aus. |
| | Das USB-Kabel ist nicht korrekt angeschlossen. | Überprüfen Sie, ob das USB-Kabel korrekt angeschlossen ist. | Schliessen Sie die USB-Kabel korrekt an. |
| | Das USB-Kabel ist beschädigt. | Stellen Sie sicher, dass das USB-Kabel nicht beschädigt ist. | USB-Kabel austauschen. |
| | Der USB-A-Anschluss der Waage ist beschädigt. | Trennen Sie die Pumpe vom USB-A-Anschluss der Waage. Schliessen Sie eine USB-Maus an denselben USB-A-Anschluss an. Vergewissern Sie sich, dass ein Zeiger (Pfeil) auf dem Terminal erscheint und durch Bewegen der Maus bewegt werden kann. | Wenn der Mauszeiger nicht erscheint, wenden Sie sich an Ihren Service-mitarbeiter von METTLER TOLEDO. |
| | Die Pumpe ist beschädigt. | Gegebenenfalls mit einer anderen Pumpe überprüfen. | Pumpe austauschen. Wenden Sie sich an Ihren METTLER TOLEDO-Servicevertreter. |

8 Technische Daten



Weitere Informationen finden Sie im Referenzhandbuch (RM) Ihrer Waage oder Ihres Dosiermoduls. Handbücher sind online oder über die Servicevertretungen von METTLER TOLEDO erhältlich.

► www.mt.com/XPR-analytical-RM

► www.mt.com/XPR-automatic

8.1 Allgemeine Daten

Gewicht (ohne Verpackung): 470 g
Leistungsaufnahme: 12 VDC \pm 6 %, 1 A

Schutz und Normen

Überspannungskategorie: II
Verschmutzungsgrad: 2
Verwendungsbereich: Nur in trockenen Innenräumen verwenden

Umgebungsbedingungen

Höhe über NN: Bis 5000 m
Umgebungstemperatur: +5 – +40 °C
Relative Luftfeuchtigkeit: 20 % bis max. 80 % bei 31 °C, linear abnehmend bis 50 % bei 40 °C, nicht kondensierend

Lagerbedingungen (in der Verpackung)

Umgebungstemperatur: -25 – +70 °C
Relative Luftfeuchtigkeit: 10 bis 90 %, nicht kondensierend

9 Entsorgung

Entsprechend der europäischen Richtlinie 2012/19/EU über Elektro- und Elektronik-Altgeräte (WEEE) darf dieses Gerät nicht im Haushaltsabfall entsorgt werden. Dies gilt auch für Länder ausserhalb der EU entsprechend den geltenden nationalen Regelungen.



Bitte entsorgen Sie dieses Produkt gemäss den örtlichen Bestimmungen in einer getrennten Sammlung für Elektro- und Elektronikgeräte. Bei Fragen wenden Sie sich bitte an die zuständige Behörde oder den Händler, bei dem Sie dieses Gerät erworben haben. Bei einer Weitergabe an Dritte muss der Inhalt dieser Regelung ebenfalls mit einbezogen werden.

Índice de contenidos

| | | |
|----------|---|-----------|
| 1 | Introducción | 3 |
| 1.1 | Información y documentos adicionales..... | 3 |
| 1.2 | Explicación de las convenciones y símbolos utilizados | 3 |
| 1.3 | Acrónimos y abreviaturas | 4 |
| 1.4 | Información sobre conformidad | 4 |
| 2 | Información de seguridad | 4 |
| 2.1 | Definiciones de los textos y símbolos de advertencia | 4 |
| 2.2 | Indicaciones de seguridad específicas del producto | 5 |
| 3 | Diseño y función | 8 |
| 3.1 | Descripción de las funciones..... | 8 |
| 3.2 | Descripción general | 8 |
| 3.3 | Descripción de los componentes | 9 |
| 3.4 | Etiqueta RFID del cabezal de dosificación | 10 |
| 4 | Instalación y puesta en marcha | 10 |
| 4.1 | Contenido de la entrega | 10 |
| 4.2 | Selección de la ubicación | 11 |
| 4.3 | Configuración del sistema de dosificación de líquidos..... | 11 |
| 4.3.1 | Interfaz de la bomba..... | 11 |
| 4.3.2 | Cableado de la bomba | 11 |
| 4.3.3 | Conexión de los tubos | 12 |
| 5 | Funcionamiento | 16 |
| 5.1 | Dosificación de líquidos..... | 16 |
| 5.1.1 | Instalación y retirada del cabezal de dosificación de líquidos | 16 |
| 5.1.2 | Ajuste de la altura de dosificación | 17 |
| 5.1.3 | Conexión del cabezal de dosificación al tapón de la botella | 17 |
| 5.1.4 | Manipulación de la botella | 18 |
| 5.1.5 | Uso de la bomba QL3..... | 19 |
| 5.2 | Uso de otros métodos de pesaje | 19 |
| 6 | Mantenimiento | 20 |
| 6.1 | Limpeza..... | 20 |
| 6.1.1 | Limpeza de la carcasa | 20 |
| 6.1.2 | Limpeza de la cámara de pesaje..... | 20 |
| 6.1.3 | Limpeza de los elementos de dosificación de líquido | 20 |
| 6.2 | Sustitución del anillo de estanqueidad y de la tuerca de fijación del tubo de líquido | 21 |
| 7 | Resolución de problemas | 22 |
| 7.1 | Síntomas de error | 22 |
| 8 | Características técnicas | 24 |
| 8.1 | Características generales | 24 |
| 9 | Eliminación de residuos | 24 |

1 Introducción

1.1 Información y documentos adicionales

Este documento está disponible en línea en otros idiomas.

► www.mt.com/XPR-automatic

Búsqueda de descargas de software

► www.mt.com/labweighing-software-download

Búsqueda de documentos


► www.mt.com/library

Si tiene alguna pregunta, póngase en contacto con su METTLER TOLEDO representante de ventas o asistencia autorizado.

► www.mt.com/contact

1.2 Explicación de las convenciones y símbolos utilizados

Convenciones y símbolos

Las denominaciones de las teclas/los botones y los textos en pantalla se indican mediante un gráfico o texto en **negrita**, por ejemplo, , **Editar**.

Nota

Información útil sobre el producto.



Hace referencia a un documento externo.

Elementos de las instrucciones

En el presente manual, las instrucciones paso a paso se presentan del siguiente modo. Los pasos de las acciones están numerados y pueden contener requisitos previos, resultados intermedios y resultados, tal como se muestra en el ejemplo. Las secuencias con menos de dos pasos no están numeradas.

- Requisitos previos que se deben cumplir antes de que se puedan ejecutar los diferentes pasos.

1 Paso 1

➔ Resultado intermedio

2 Paso 2

➔ Resultado

1.3 Acrónimos y abreviaturas

| Término original | Traducción | Explicación |
|------------------|------------|--|
| EMC | | Electromagnetic Compatibility (Compatibilidad electromagnética) |
| FCC | | Federal Communications Commission |
| LPS | | Limited Power Source (Fuente de energía limitada) |
| POM | | Polyoxymethylene (Polioximetileno) |
| RFID | | Radio-frequency identification (Identificación por radiofrecuencia) |
| RM | | Reference Manual (Manual de referencia) |
| sd | | Standard deviation |
| SELV | | Safety Extra Low Voltage (Voltaje extra bajo de seguridad) |
| SOP | PNT | Standard Operating Procedure (Procedimiento normalizado de trabajo) |
| UM | | User Manual (Manual de usuario) |
| USB | | Universal Serial Bus (Bus serie universal) |

1.4 Información sobre conformidad

Los documentos de aprobación de ámbito nacional, por ejemplo, la Declaración de Conformidad del Proveedor de la FCC, están disponibles en línea o se incluyen en el embalaje.

► <http://www.mt.com/ComplianceSearch>



Para obtener más información, consulte el manual de referencia (MR).

► www.mt.com/QLX3-RM

2 Información de seguridad

Para este instrumento hay disponibles dos documentos denominados "Manual del usuario" y "Manual de referencia".

- El manual del usuario se imprime y se proporciona junto con el instrumento.
- El manual de referencia electrónico contiene una descripción completa del instrumento y su uso.
- Guarde los dos documentos para consultarlos en el futuro.
- Incluya los dos documentos si transfiere el instrumento a terceros.

Use el instrumento siguiendo únicamente el manual del usuario y el manual de referencia. Si modifica el instrumento o no lo usa según la información indicada en estos documentos, la seguridad de este puede verse afectada y Mettler-Toledo GmbH no asume ninguna responsabilidad al respecto.

2.1 Definiciones de los textos y símbolos de advertencia

Las indicaciones de seguridad contienen información importante sobre problemas de seguridad. Si se hace caso omiso de las indicaciones de seguridad pueden producirse daños personales o materiales, funcionamientos anómalos y resultados incorrectos. Las indicaciones de seguridad se marcan con los textos y símbolos de advertencia siguientes:

Texto de advertencia

| | |
|--------------------|--|
| PELIGRO | Una situación de peligro con un nivel de riesgo alto que, si no se evita, provocará lesiones graves o incluso la muerte. |
| ADVERTENCIA | Una situación de peligro con un nivel de riesgo medio que, si no se impide, puede provocar lesiones graves o incluso la muerte. |
| ATENCIÓN | Una situación de peligro con un nivel de riesgo bajo que, si no se impide, puede provocar lesiones de carácter leve o medio. |
| AVISO | Una situación de peligro con un nivel de riesgo bajo que puede provocar daños en el equipo, otros daños materiales, errores de funcionamiento y resultados erróneos o pérdidas de datos. |

Símbolos de advertencia



Peligro general



Aviso

2.2 Indicaciones de seguridad específicas del producto

Uso previsto

Este sistema de dosificación está diseñado para su uso en laboratorios analíticos por parte de personal debidamente formado. El sistema de dosificación está diseñado para pesar y dosificar muestras de polvo o líquidos.

Cualquier otro tipo de uso y funcionamiento que difiera de los límites de uso establecidos por Mettler-Toledo GmbH sin el consentimiento de Mettler-Toledo GmbH se considera no previsto.

Responsabilidades del propietario del instrumento

El propietario del instrumento es la persona que posee de forma legal el instrumento, así como la persona que lo utiliza o permite que otros lo utilicen, o quien la ley considere que es el operario del instrumento. Esta persona es responsable de velar por la seguridad de todos los usuarios del instrumento y de terceros.

Mettler-Toledo GmbH asume que el propietario del instrumento forma a los usuarios para usar de forma segura el mismo en el puesto de trabajo y para afrontar posibles peligros. Mettler-Toledo GmbH asume que el propietario del instrumento proporciona el equipo de protección necesario.

Equipos de protección



Guantes resistentes a sustancias químicas



Gafas protectoras



Bata de laboratorio

Instrucciones de seguridad



⚠️ ADVERTENCIA

Riesgo de muerte o de lesiones graves por descarga eléctrica

El contacto con piezas que lleven corriente eléctrica activa puede provocar lesiones o la muerte.

- 1 Utilice únicamente el cable de alimentación y el adaptador de CA/CC de METTLER TOLEDO diseñados para su instrumento.
- 2 Conecte el cable de alimentación a una toma de corriente con conexión a tierra.
- 3 Mantenga todas las conexiones y los cables eléctricos alejados de los líquidos y de la humedad.
- 4 Compruebe si existen desperfectos en los cables y el conector, y sustitúyalos en caso de que estén dañados.



⚠️ ADVERTENCIA

Lesiones y daños debidos a sustancias peligrosas

Los peligros químicos, biológicos o radiactivos pueden estar asociados a las sustancias procesadas por el instrumento. Durante los procedimientos de dosificación, pequeñas cantidades de la sustancia dosificada pueden pasar al aire y penetrar en el instrumento, o contaminar sus alrededores.

Las características de la sustancia y los peligros asociados son plena responsabilidad del propietario del instrumento.

- 1 Tenga en cuenta los posibles peligros asociados a la sustancia y tome las medidas de seguridad pertinentes, por ejemplo, las indicadas en la hoja de datos de seguridad proporcionada por el fabricante.
- 2 Asegúrese de que todas las partes del instrumento que estén en contacto con la sustancia no se vean alteradas o dañadas por esta.



⚠️ ADVERTENCIA

Lesión o daño debido a la manipulación de polvo

Los polvos pueden compactarse en el cabezal de dosificación y bloquearlo. Una fuerza excesiva aplicada por el mecanismo del cabezal de dosificación puede provocar una rotura y la volatilización de sustancias potencialmente peligrosas.

- 1 Manipule los cabezales de dosificación con cuidado.
- 2 Si el cabezal de dosificación parece bloqueado, detenga la dosificación. Retire el cabezal del instrumento y dele la vuelta para liberar el polvo.
- 3 Detenga el trabajo inmediatamente en caso de fuga o rotura.



⚠️ ADVERTENCIA

Lesiones y daños debidos a sustancias reactivas, inflamables o explosivos

Durante el procedimiento de dosificación, las sustancias pueden combinarse y causar una reacción exotérmica o una explosión. Estas sustancias incluyen polvos, líquidos y gases.

Las características de la muestra y los peligros asociados son plena responsabilidad del propietario del instrumento.

- 1 Tenga en cuenta los posibles peligros asociados a las sustancias reactivas, inflamables o explosivos.
- 2 Asegúrese de que la temperatura de trabajo sea lo suficientemente baja como para evitar la formación de llamas y explosiones.

**⚠ ADVERTENCIA****Riesgo de muerte o de lesiones debido a sustancias tóxicas, explosivas o inflamables**

Si usa líquidos tóxicos, explosivos o inflamables con la bomba, el aire de escape quedará contaminado.

- Conecte un tubo a la salida de aire de escape para recoger el aire contaminado.

**⚠ ADVERTENCIA****Lesiones y daños debidos a sustancias reactivas**

Cuando se libera la presión de la botella, el aire/gas de esta regresa a la bomba. El aire/gas procedente de las salidas acopladas se mezcla en la bomba. Las moléculas de las sustancias de las diferentes botellas pueden entrar en contacto a través de este aire/gas contaminado.

- 1 No conecte simultáneamente botellas con líquidos incompatibles en la misma bomba.
- 2 Antes de conectar un segundo líquido incompatible a la bomba, desconecte la primera botella y purgue la cavidad de la bomba con aire/gas limpio.

**⚠ ADVERTENCIA****Lesiones y daños en la bomba o la botella debidos a una presión elevada**

Una presión elevada debida a un gas externo puede dañar la bomba o la botella.

- 1 Utilice un regulador en la línea de gas externo.
- 2 Asegúrese de que la presión del gas externo no supere los 0,5 bar (7,2 psi).

**⚠ ATENCIÓN****Lesiones debidas a salpicaduras de líquidos**

Si no se libera la presión en la botella, el líquido podría salpicar al retirar la válvula de microdosificación, al abrir la botella o al retirar el tubo de líquido.

- Libere siempre la presión antes de retirar la válvula de microdosificación, de abrir la botella o de retirar el tubo de líquido.

**⚠ ATENCIÓN****Lesiones debidas a la fuga de líquidos**

El corte incorrecto de los tubos puede provocar fugas en las conexiones.

- Corte los tubos con un cortador de tubos o un cuchillo afilado.

**⚠ ATENCIÓN****Lesiones debidas a piezas móviles**

- No se acerque al área de trabajo mientras las piezas del equipo estén en movimiento.

**⚠ ATENCIÓN****Lesiones debidas a objetos afilados o cristales rotos**

Los componentes del instrumento, por ejemplo, el vidrio, pueden romperse y provocar lesiones.

- Manipule siempre los componentes con concentración y cuidado.



AVISO

Daños en el instrumento o funcionamiento incorrecto debido al uso de piezas inapropiadas

- Utilice únicamente piezas de METTLER TOLEDO diseñadas para ser utilizadas con su instrumento.



AVISO

Daños en el equipo

El equipo no contiene piezas que puedan ser reparadas por el usuario.

- 1 No abra el equipo.
- 2 En caso de problemas, póngase en contacto con un representante de METTLER TOLEDO.



AVISO

Daños en el instrumento por el uso de métodos de limpieza inadecuados

Si entra líquido en la carcasa, el instrumento puede sufrir daños. La superficie del instrumento puede sufrir daños por el uso de determinados productos de limpieza, disolventes o abrasivos.

- 1 No pulverice ni vierta líquido sobre el instrumento.
- 2 Utilice únicamente los productos de limpieza especificados en el manual de referencia (MR) del instrumento o en la guía "8 Steps to a Clean Balance".
- 3 Utilice únicamente un paño ligeramente humedecido y sin pelusas o un pañuelo desechable para limpiar el instrumento.
- 4 Limpie cualquier derrame de inmediato.

3 Diseño y función

3.1 Descripción de las funciones

El **módulo de líquido QLX3** se puede añadir a las **balanzas analíticas XPR** para realizar una dosificación automática de líquidos. El cabezal de dosificación de líquidos está conectado al módulo de líquido y se encuentra en el interior de la cámara de pesaje. La posición vertical del módulo de líquido se ajusta manualmente. La **bomba QL3** y el **kit QLL para botellas** completan el sistema. La **bomba QL3** se utiliza para acumular presión en la botella. En cuanto la presión es lo suficientemente alta, la válvula de microdosificación del cabezal de dosificación de líquido se abre y el líquido asciende por el tubo de líquido. Se pueden conectar varias bombas a la balanza de forma simultánea y cada bomba puede albergar hasta tres botellas (kits QLL).

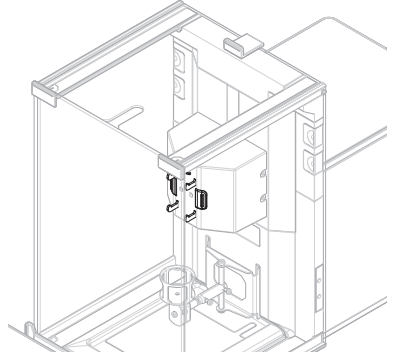
3.2 Descripción general

Consulte el apartado «Overview» (gráficos y leyendas) que se encuentra al principio del manual.

3.3 Descripción de los componentes

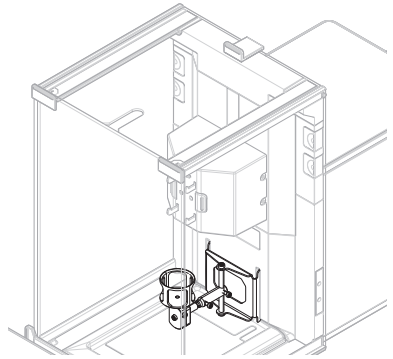
Soporte del cabezal de dosificación

El soporte del cabezal de dosificación es el lugar en el que se fija el cabezal de dosificación de líquido. El cabezal de dosificación se puede soltar pulsando uno de los botones de liberación situados a ambos lados del soporte.



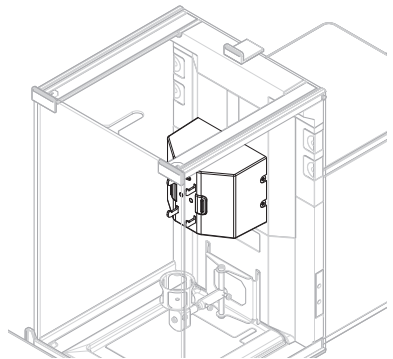
Vial ErgoClip

El vial ErgoClip se utiliza junto con adaptadores de viales para colocar correctamente los viales. Estos adaptadores están disponibles para viales de diferentes diámetros y alturas. Véase Accesorios.



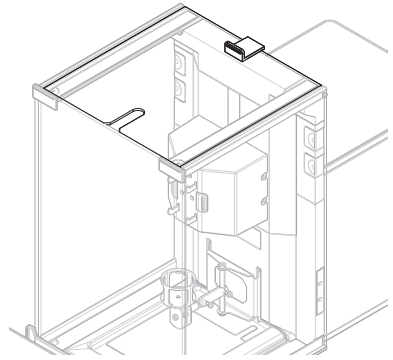
Módulo de líquido

El módulo de líquido es el lugar donde se conecta el cabezal de dosificación de líquido. Se puede mover hacia arriba y hacia abajo manualmente para ajustar la distancia entre el recipiente de muestra y el extremo del cabezal de dosificación.



Módulo de líquido de la puerta superior

El módulo de líquido cuenta con una puerta superior diseñada con una ranura a través de la cual puede pasar el tubo de líquido para llegar al interior de la cámara de pesaje. Esta puerta se instala en los mismos rieles que la puerta superior estándar de la balanza y puede abrirse y cerrarse de forma manual y automática.

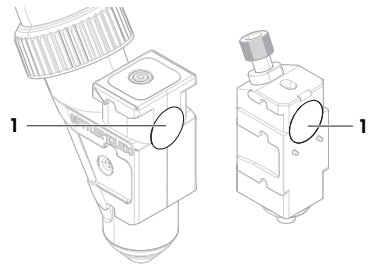


3.4 Etiqueta RFID del cabezal de dosificación

Cada cabezal de dosificación de polvo y líquido está equipado con una etiqueta de RFID integrada (1) capaz de guardar e intercambiar datos con el instrumento.

En la etiqueta RFID de los cabezales de dosificación se almacenan diferentes datos, como el nombre de la sustancia, el ID del lote, la fecha de llenado, la fecha de caducidad, etc. También incluye campos de datos personalizados.

Estos datos se pueden editar en el terminal y se deben configurar antes de utilizar un cabezal de dosificación nuevo, de forma que los datos estén disponibles para informes y etiquetas.



4 Instalación y puesta en marcha

Este instrumento debe ser instalado por un técnico de mantenimiento de METTLER TOLEDO.

El módulo de líquido QLX3 es compatible con todas las balanzas analíticas XPR con cortacables alto.

4.1 Contenido de la entrega

Módulo de líquido QLX3

- Módulo de líquido QLX3
- Módulo de líquido de la puerta superior
- Vial ErgoClip
- Diferentes adaptadores de viales, 4 unidades
- Declaración de conformidad
- Manual de usuario

Los elementos suministrados junto con la **bomba QL3** y los **kits QLL para botellas** están incluidos en la documentación suministrada con estos productos.

4.2 Selección de la ubicación

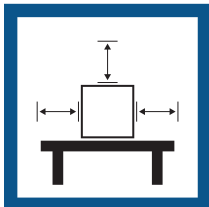
Una balanza es un instrumento de precisión sensible. La ubicación en la que se instale afectará en gran medida a la exactitud de los resultados de pesaje.

Requisitos de la ubicación

Colocación en interiores sobre una mesa estable



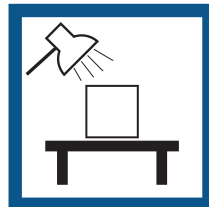
Asegúrese de que haya espacio suficiente



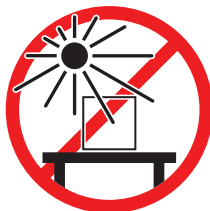
Nivele el instrumento



Proporcione una iluminación adecuada



Evite la exposición solar directa



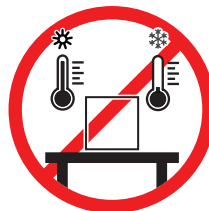
Evite las vibraciones



Evite las corrientes de aire fuertes



Evite los cambios de temperatura



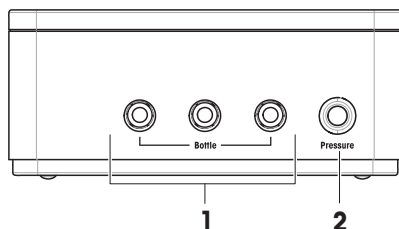
Separación suficiente para balanzas: >15 cm alrededor del instrumento

Tenga en cuenta las condiciones ambientales. Consulte "Características técnicas".

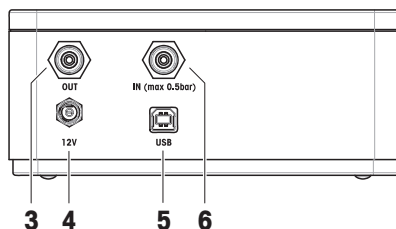
4.3 Configuración del sistema de dosificación de líquidos

4.3.1 Interfaz de la bomba

Parte frontal



Parte trasera



| | | | |
|---|---|---|--|
| 1 | Salidas de aire (a la botella) | 4 | Conector hembra para el adaptador de CA/CC |
| 2 | Botón de liberación de presión e indicador luminoso | 5 | Puerto USB-B (hacia el host) |
| 3 | Salida de escape de aire | 6 | Entrada de aire |

4.3.2 Cableado de la bomba

- 1 Instale los cables de modo que no puedan resultar dañados ni interferir en el funcionamiento.
- 2 Inserte el conector del adaptador de corriente CA/CC en la entrada de alimentación de la bomba.

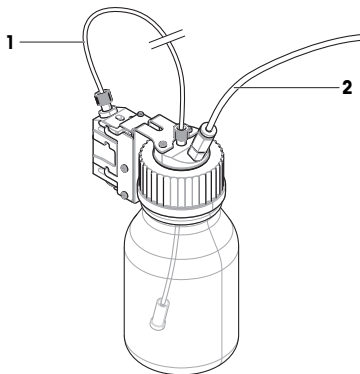
- 3 Fije el conector apretando con firmeza la tuerca anular estriada.
- 4 Inserte el enchufe del cable de alimentación en una toma eléctrica con conexión a tierra a la que se pueda acceder fácilmente.
- 5 Con el cable USB, conecte el puerto USB-B de la bomba a uno de los puertos USB-A de la balanza.

4.3.3 Conexión de los tubos

Definición de los tubos

El tubo de líquido es el tubo más fino (1) que se utiliza para transportar líquido de la botella al cabezal de dosificación de líquido. El tubo de aire es el tubo ligeramente más grande (2) utilizado para bombear aire a la botella. Al añadir aire a través del tubo de aire, la presión de la botella aumenta. Cuando la presión alcanza la presión objetivo, entre 0,3 y 0,5 bar (4,4 y 7,2 psi), la válvula de microdosificación del cabezal de dosificación se abre y el líquido puede subir por el tubo de líquido.

- 1 Tubo de líquido
- 2 Tubo de aire



Preparación del tubo de líquido



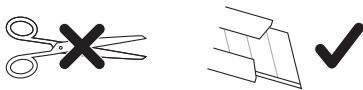
⚠ ATENCIÓN

Lesiones debidas a la fuga de líquidos

- El corte incorrecto de los tubos puede provocar fugas en las conexiones.
- Corte los tubos con un cortador de tubos o un cuchillo afilado.

- El cabezal de dosificación de líquido se inserta en el soporte del cabezal de dosificación de líquido de la botella.

- 1 Con un cortador de tubos o un cuchillo afilado, corte una cantidad suficiente de tubo. La longitud adecuada depende principalmente de la distancia entre la balanza y la botella durante la dosificación. Longitud recomendada: aprox. 0,9 m



- 2 **AVISO: Fugas de líquido debido a un montaje incorrecto. Preste atención a la orientación del anillo de estanqueidad al enroscarlo en el tubo.**

Coloque el anillo de estanqueidad (1) sobre una superficie plana y estable, por ejemplo, una mesa o un banco de trabajo, con el extremo más ancho orientado hacia abajo.

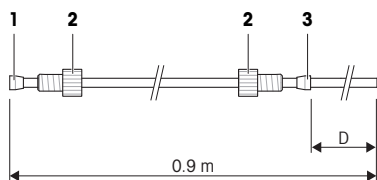
- 3 Sujete el extremo del tubo de líquido y presiónelo en el anillo de estanqueidad.

➔ Este es el extremo del tubo que llega al cabezal de dosificación. El extremo opuesto es el extremo de la botella.

- 4 Enrosque las dos tuercas de fijación (2), prestando atención a la orientación.

- 5 **AVISO: Fugas de líquido debido a un montaje incorrecto. Preste atención a la orientación del anillo de estanqueidad al enroscarlo en el tubo.**

Enrosque el anillo de estanqueidad (3) desde el extremo de la botella del tubo.



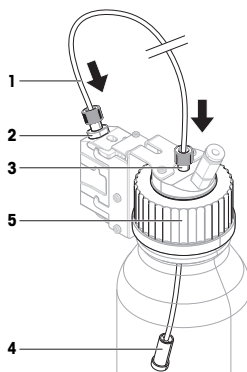
- Deslice el anillo de estanqueidad hasta que la distancia (D) sea suficiente para que el tubo llegue al fondo de la botella. A continuación, se enumeran las distancias recomendadas para volúmenes de botella típicos.

Distancias típicas (D) entre el anillo de estanqueidad y el extremo de la botella del tubo

| Rosca | Volumen de la botella | Distancia (D) |
|-------|-----------------------|---------------|
| GL45 | 1000 ml | 220 mm |
| | 500 ml | 170 mm |
| | 250 ml | 135 mm |
| GL25 | 25 ml | 90 mm |

Conexión del tubo de líquido

- Inserte el extremo del tubo que llega al cabezal de dosificación (1) en el cabezal de dosificación (2).
- Apriete firmemente la tuerca de fijación en el cabezal de dosificación.
- Introduzca el extremo del tubo que llega a la botella a través del orificio correspondiente del tapón de la botella (3). El tubo debe llegar hasta el fondo de la botella.
- Si fuera necesario, acople el filtro de aspiración (4) en el extremo del tubo que llega a la botella.
- Apriete firmemente la tuerca de fijación en el tapón de la botella.
- Enrosque el tapón en la botella (5).



El filtro de aspiración se utiliza para asegurar que no se transportan partículas ni impurezas a través del cabezal de dosificación de líquido. El uso del filtro de aspiración prolongará la vida útil del cabezal de dosificación. Sin embargo, al dosificar soluciones, el filtro de aspiración podría absorber moléculas de una de las sustancias, lo que alteraría la concentración de la solución. El filtro de aspiración solo debe utilizarse cuando se dosifiquen disolventes puros.

Conexión del tubo de aire



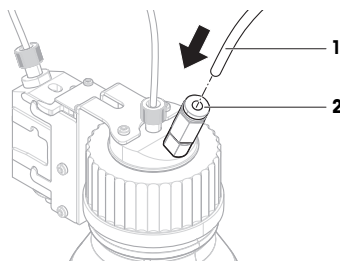
⚠ ADVERTENCIA

Lesiones y daños debidos a sustancias reactivas

Cuando se libera la presión de la botella, el aire/gas de esta regresa a la bomba. El aire/gas procedente de las salidas acopladas se mezcla en la bomba. Las moléculas de las sustancias de las diferentes botellas pueden entrar en contacto a través de este aire/gas contaminado.

- No conecte simultáneamente botellas con líquidos incompatibles en la misma bomba.
- Antes de conectar un segundo líquido incompatible a la bomba, desconecte la primera botella y purgue la cavidad de la bomba con aire/gas limpio.

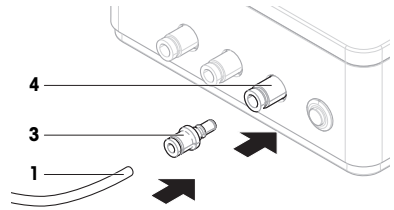
- Con un cortador de tubos o un cuchillo afilado, corte una cantidad suficiente de tubo. La longitud adecuada depende principalmente de la distancia entre la botella y la bomba durante la dosificación. Longitud recomendada: aprox. 0,7 m
- Conecte el tubo de aire (1) a la entrada de aire de la botella (2)



- 3 Introduzca el otro extremo del tubo de aire (1) en un adaptador de tubo (3) y presione firmemente.
- 4 Conecte el adaptador del tubo (3) a una de las salidas de aire (4) de la bomba. Presione hasta oír un clic.

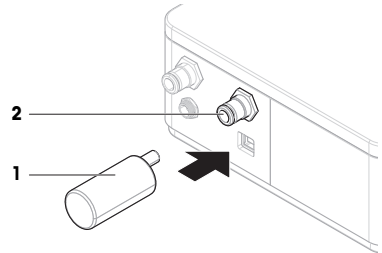
Cuando se conecta un tubo a la salida de aire de la bomba, se abre la válvula de la salida de aire. No deje nunca un tubo que esté conectado a la toma de aire sin conectar en el otro extremo, ya que eso impediría que se acumulase presión.

Puede conectar hasta tres botellas a cada bomba.



Conexión del silenciador

- Inserte el silenciador (1) en la entrada de aire (2) para absorber el ruido.



Desmontaje del tubo de aire



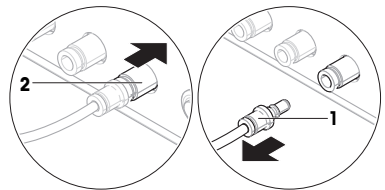
AVISO

Daños en los conectores de los tubos debidos a una manipulación inadecuada

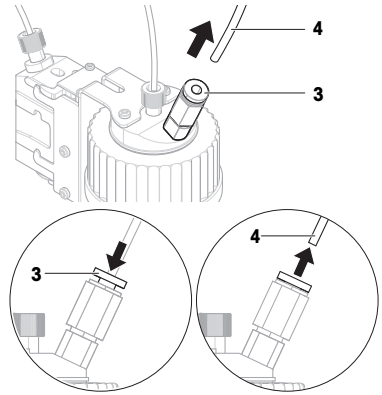
Si los tubos no se extraen correctamente, los conectores de la bomba y el tapón de la botella pueden sufrir daños.

- Para extraer los tubos, presione hacia abajo el anillo del conector y retire el tubo con cuidado.

- 1 Retire el adaptador del tubo (1) de la bomba presionando el conector (2) de la salida de aire hacia la bomba.
 - ➔ El adaptador se suelta y se puede retirar.



- 2 Retire el tubo de aire de la botella presionando firmemente el anillo (3) y tirando del tubo (4) al mismo tiempo.
- 3 Si fuera necesario, por ejemplo, para realizar tareas de mantenimiento, utilice el mismo procedimiento para extraer el tubo de aire del adaptador de tubo: presione con fuerza el anillo y tire del tubo al mismo tiempo.



Uso de la bomba con gas externo

El líquido se puede proteger mediante la introducción en la bomba de un gas externo, por ejemplo, nitrógeno. Asegúrese de que la presión del gas externo no supere los 0,5 bar (7,2 psi).

⚠ ADVERTENCIA

Lesiones y daños en la bomba o la botella debidos a una presión elevada

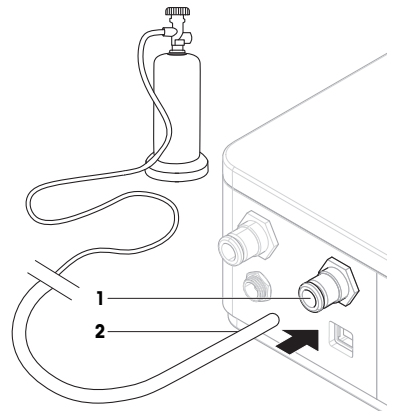
Una presión elevada debida a un gas externo puede dañar la bomba o la botella.

- 1 Utilice un regulador en la línea de gas externo.
- 2 Asegúrese de que la presión del gas externo no supere los 0,5 bar (7,2 psi).

- Hay un regulador conectado a la línea de gas externo.
- 1 Retire el silenciador de la entrada de aire (1).
 - 2 Conecte el tubo de gas externo (2) a la entrada de aire (1).

Nota

Diámetro externo del tubo: 6 mm
 Presión en la tubería de gas externa: la presión debe ser por lo menos 0,1 bar (1,5 psi). La presión no debe superar la presión de dosificación ajustada en el terminal.
 METTLER TOLEDO no suministra el tubo de gas externo.



Captura de aire contaminado

⚠ ADVERTENCIA

Riesgo de muerte o de lesiones debido a sustancias tóxicas, explosivos o inflamables

Si usa líquidos tóxicos, explosivos o inflamables con la bomba, el aire de escape quedará contaminado.

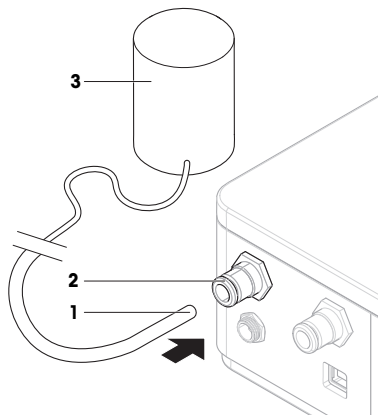
- Conecte un tubo a la salida de aire de escape para recoger el aire contaminado.

- Conecte un tubo (1) a la salida de aire de escape (2) para recoger el aire contaminado en un contenedor seguro (3).

Nota

Diámetro externo del tubo: 6 mm

El tubo de aire de escape y el contenedor no son suministrados por METTLER TOLEDO.



5 Funcionamiento

5.1 Dosificación de líquidos



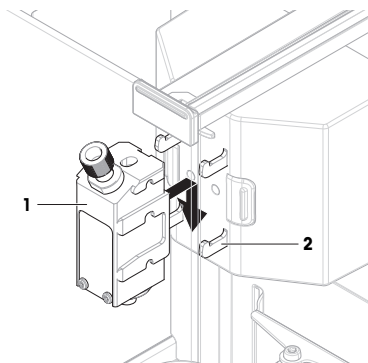
Para obtener más información, consulte el manual de referencia (MR) de su balanza XPR.

► www.mt.com/XPR-analytical-RM

5.1.1 Instalación y retirada del cabezal de dosificación de líquidos

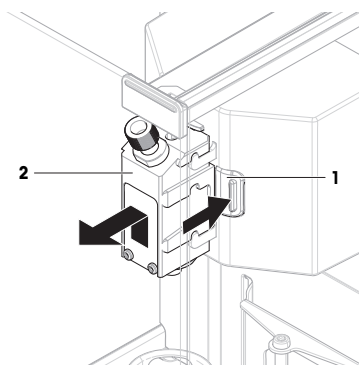
Instalación del cabezal de dosificación

- 1 Deslice el cabezal de dosificación (1) sobre el soporte del cabezal de dosificación (2) hasta que se detenga.
- 2 Presione ligeramente hacia abajo el cabezal de dosificación hasta que se asiente correctamente en su soporte (2).
 - ➔ El cabezal de dosificación está bloqueado en el soporte.
- 3 Pase el tubo de líquido por la ranura de la puerta superior.
 - ➔ El cabezal de dosificación está listo para dosificar.



Desmontaje del cabezal de dosificación

- 1 Pulse el botón de liberación (1) a cada lado del soporte del cabezal de dosificación para liberar el cabezal de dosificación (2).
- 2 Al mismo tiempo, tire del cabezal de dosificación (2) hacia arriba y hacia fuera.

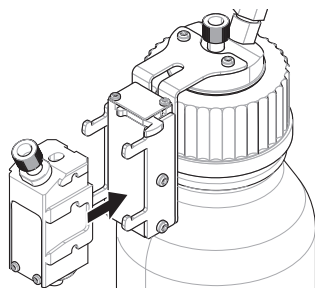


5.1.2 Ajuste de la altura de dosificación

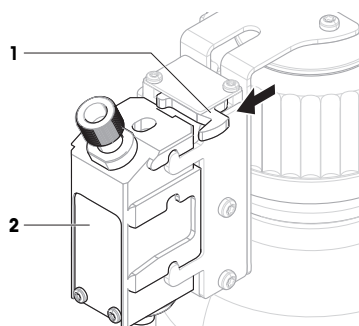
La posición vertical del módulo de líquido se ajusta moviéndola manualmente hacia arriba y hacia abajo a lo largo de sus rieles.

5.1.3 Conexión del cabezal de dosificación al tapón de la botella

- 1 Inserte el cabezal de dosificación de líquido en el soporte del cabezal de dosificación de líquido.



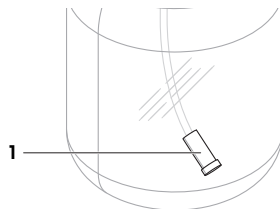
- 2 Para extraer el cabezal de dosificación de líquido del soporte del cabezal de dosificación de líquido, tire de la palanca (1) hacia el cabezal de dosificación y retire el cabezal de dosificación de líquido (2).



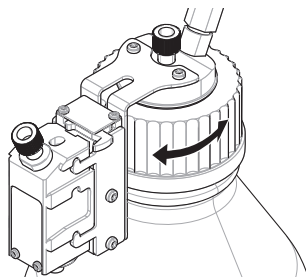
5.1.4 Manipulación de la botella

Llenado de la botella

El filtro de aspiración (1) debe estar siempre cubierto de líquido. Antes de que el filtro de aspiración se seque, rellene la botella.



- La presión se libera.
- 1 **⚠ ATENCIÓN: Lesiones debidas a salpicaduras de líquidos. Asegúrese de que se libere la presión de la botella.**
Desenrosque el tapón.
- 2 Llene la botella de líquido. No supere el nivel máximo (el nivel máximo se indica en la botella; por ejemplo, 1000 ml). El aire que hay encima del líquido es necesario para realizar la dosificación.
- 3 Enrosque y apriete el tapón firmemente.



Cambio del contenido de la botella

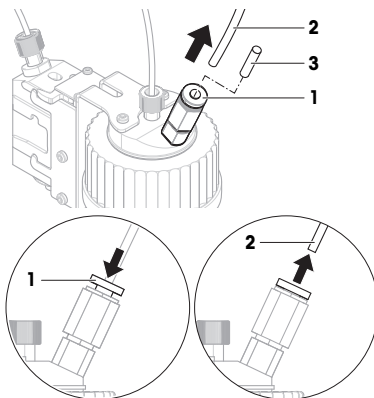
Este procedimiento se utiliza si tiene un tapón con cabezal de dosificación y desea cambiar el líquido que se pretende dosificar.

- La presión se libera.
- 1 **⚠ ATENCIÓN: Lesiones debidas a salpicaduras de líquidos. Asegúrese de que se libere la presión de la botella.**
Desenrosque el tapón.
- 2 Retire el filtro de aspiración, si fuera el caso.
- 3 Si fuese necesario limpiar el tapón, retire el tubo de aire.
Desenrosque la tuerca de fijación de la tapa.
Enjuague el tapón con el disolvente o líquido apropiado.
Introduzca el tubo de líquido en el tapón.
- 4 Si fuese necesario limpiar el tubo de líquido con un disolvente, llene la botella con el disolvente adecuado.
Enrosque el tapón en la botella.
Inserte el tubo de aire en el tapón.
Purgue con la función **Purga** del terminal.
Desenrosque el tapón.
Deseche el resto del disolvente.
- 5 Coloque un filtro de aspiración nuevo, si fuera el caso.
- 6 Enrosque el tapón en la botella que contiene el líquido nuevo.
- 7 Compruebe que el tapón está sellado.
- 8 Conecte el tubo de aire a la nueva botella.
- 9 Purgue con la función **Purga**.

Conexión del tubo de aire a una botella diferente

Si tiene más de una botella equipada con tapón y cabezal de dosificación, y desea utilizar la misma salida de la bomba y tubo de aire para realizar la dosificación desde otra botella:

- La presión se libera.
- 1 Instale el cabezal de dosificación en el soporte del cabezal de dosificación de la botella.
 - 2 Desconecte el tubo de aire presionando hacia abajo el anillo (1) y tirando al mismo tiempo del tubo (2).
 - 3 Para sellar la botella, inserte el pasador suministrado con el kit QLL (3) en el conector del tubo de aire.
 - 4 Tome la botella nueva.
 - 5 Conecte el tubo de aire a la nueva botella.
 - 6 Para continuar con la dosificación con la botella nueva, instale el cabezal de dosificación.



5.1.5 Uso de la bomba QL3

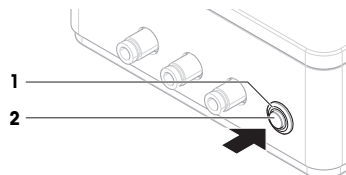
Indicador luminoso de presión

El indicador luminoso de presión muestra el estado de la bomba:

- Luz encendida: se está acumulando presión o se ha establecido la presión
- Luz apagada: no hay presión y no se está acumulando presión
- Luz parpadeante: error o advertencia de la bomba

Liberación de la presión

- El indicador luminoso de presión (1) está encendido.
 - Presione el botón de liberación de presión (2) para liberar la presión.
- ➔ La luz de estado (1) se apaga cuando se libera la presión.



Purga de la cavidad de la bomba

Si se conectan botellas que contienen líquidos incompatibles (y para los que no deben mezclarse los humos) a la bomba, se recomienda purgar la cavidad de la bomba antes de conectar la segunda botella a la bomba.

- Hay un cabezal de dosificación conectado al módulo de dosificación o de líquido. La botella de este cabezal de dosificación no está conectada a ninguna bomba.
 - Se está ejecutando un método de **Dosificación automatizada** o **Prep. solución automatizada** en el terminal.
- 1 Desconecte todos los adaptadores de tubo de la bomba.
 - 2 Conecte un adaptador de tubo vacío a la salida de aire situada más a la derecha en la parte delantera de la bomba.
 - ➔ La bomba intenta acumular presión y el aire fluye a través de la cavidad de la bomba, purgándola.
 - ➔ La cavidad de la bomba se ha purgado y las botellas se pueden volver a conectar de forma segura a las salidas de aire.

5.2 Uso de otros métodos de pesaje

Para utilizar otros métodos con la balanza, coloque el módulo de líquido en su posición más alta.



Para obtener más información, consulte el manual de referencia (MR) de su balanza XPR.

► www.mt.com/XPR-analytical-RM

6 Mantenimiento

La frecuencia adecuada de mantenimiento dependerá del procedimiento normalizado de trabajo (PNT).

Póngase en contacto con su representante de METTLER TOLEDO para informarse acerca de las opciones de mantenimiento disponibles. El mantenimiento regular realizado por un técnico autorizado garantiza la precisión del instrumento durante muchos años y alarga su vida útil.

6.1 Limpieza



AVISO

Daños en el instrumento por el uso de métodos de limpieza inadecuados

Si entra líquido en la carcasa, el instrumento puede sufrir daños. La superficie del instrumento puede sufrir daños por el uso de determinados productos de limpieza, disolventes o abrasivos.

- 1 No pulverice ni vierta líquido sobre el instrumento.
- 2 Utilice únicamente los productos de limpieza especificados en el manual de referencia (MR) del instrumento o en la guía "8 Steps to a Clean Balance".
- 3 Utilice únicamente un paño ligeramente humedecido y sin pelusas o un pañuelo desechable para limpiar el instrumento.
- 4 Limpie cualquier derrame de inmediato.



Para obtener más información sobre la limpieza de una balanza, consulte "8 Steps to a Clean Balance".

► www.mt.com/lab-cleaning-guide



Puede encontrar información detallada sobre la compatibilidad de los productos de limpieza en el manual de referencia (MR) de su balanza XPR.

► www.mt.com/XPR-analytical-RM

6.1.1 Limpieza de la carcasa

El material de la carcasa del módulo de líquido es el mismo que el de la balanza. Por lo tanto, todas las superficies se pueden limpiar con un producto de limpieza suave disponible en el mercado.

6.1.2 Limpieza de la cámara de pesaje

El procedimiento de limpieza es el mismo que para la balanza. Consulte el manual de referencia de la balanza para obtener más información.

6.1.3 Limpieza del los elementos de dosificación de líquido

Limpieza del filtro de aspiración

- 1 **Una vez a la semana**, compruebe visualmente que el filtro de aspiración esté limpio. Si fuera necesario, lave el filtro de aspiración con disolvente utilizando la función **Purga** del terminal o sustituya el filtro de aspiración.
- 2 Al menos **una vez al año**, cambie el filtro de aspiración. La frecuencia de mantenimiento depende del líquido utilizado.

Purga del cabezal de dosificación de líquido

El cabezal de dosificación de líquido se puede lavar o purgar dejando pasar una gran cantidad de disolvente (u otro líquido) a través de él. Utilice la función de **Purga**. Consulte el manual de referencia de la balanza XPR.

- La botella se debe llenar con suficiente disolvente para purgar el cabezal de dosificación.
- Hay un recipiente de muestra grande en el plato de pesaje para recoger el disolvente usado para purgar el cabezal de dosificación.
- El cabezal de dosificación de líquido está instalado en el módulo de dosificación o de líquido.
 - Utilice la función de **Purga** del terminal para lavar el cabezal de dosificación.

Limpeza de la válvula de microdosificación

Los cabezales de dosificación para líquidos QL001 cuentan con una válvula de microdosificación que se puede desmontar y limpiar, por ejemplo, en un baño ultrasónico.

Nota

El cabezal de dosificación QL003 no dispone de una válvula de microdosificación. La limpieza de este cabezal de dosificación con la función de **Purga** es suficiente (véase más arriba).

- El cabezal de dosificación de líquido está instalado en el módulo de dosificación o de líquido.
- Hay un recipiente de muestra en el plato de pesaje, lo suficientemente grande para la cantidad de líquido presente en el tubo de líquido.
- La presión se libera.

1 **⚠ ATENCIÓN: Lesiones debidas a salpicaduras de líquidos. Asegúrese de que se libere la presión de la botella.**

Vacíe el tubo de líquido sustituyendo la botella por una botella vacía y utilizando la función **Purga**.

⇒ El tubo de líquido está vacío.

2 Libere presión.

3 **⚠ ATENCIÓN: Lesiones debidas a salpicaduras de líquidos. Asegúrese de que se libere la presión de la botella.**

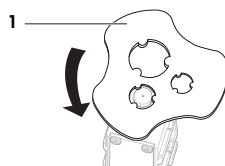
Retire el cabezal de dosificación del módulo de dosificación o de líquido.

4 **⚠ ADVERTENCIA: Lesiones o contaminación por sustancias peligrosas. Tenga cuidado con cualquier líquido que salga de los tubos y la válvula.**

Abra el cabezal de dosificación con la herramienta de la válvula de microdosificación (1), si procede.

5 Saque la válvula de microdosificación y límpiela, p. ej., en un baño de ultrasonidos.

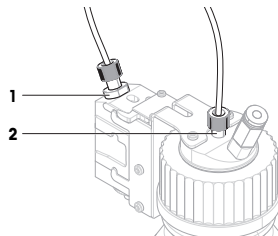
6 Tras la limpieza, vuelva a instalar la válvula de microdosificación y rellene/sustituya la botella.



6.2 Sustitución del anillo de estanqueidad y de la tuerca de fijación del tubo de líquido

Retirada del anillo de estanqueidad y de la tuerca de fijación

Si hay fugas de líquido en la tuerca del cabezal de dosificación, sustituya el anillo de estanqueidad y la tuerca de fijación del cabezal de dosificación (1). Si no es posible la acumulación de presión en la botella, sustituya el anillo de estanqueidad y la tuerca de fijación del tapón de la botella (2).

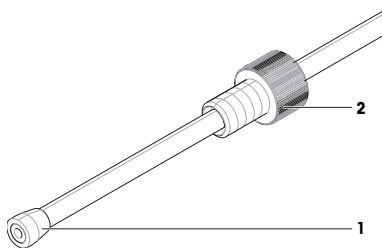


- La presión se libera.

1 **⚠ ATENCIÓN: Lesiones debidas a salpicaduras de líquidos. Asegúrese de que se libere la presión de la botella.**

Desenrosque la tuerca de fijación del cabezal de dosificación o del tapón de la botella.

- Para acceder al anillo de estanqueidad (1), deslice hacia atrás la tuerca de fijación (2).
- Si cambia la tuerca y el anillo del tapón de la botella, retire el filtro de aspiración y deslice el anillo de estanqueidad hasta el extremo del tubo que llega a la botella.
- Con un cortador de tubos o un cuchillo afilado, corte el tubo por encima del anillo de estanqueidad (1).
- Retire la tuerca de fijación.



Reconexión del tubo de líquido

Inserte el nuevo anillo de estanqueidad de la tuerca de fijación y vuelva a conectar el tubo de líquido.

Vea también a este respecto

- Conexión de los tubos ▶ página 12

7 Resolución de problemas



Para obtener más información, consulte el manual de referencia (MR) de su balanza XPR.

▶ www.mt.com/XPR-analytical-RM

7.1 Síntomas de error

| Síntoma de error | Causa posible | Diagnóstico | Solución |
|---|--|---|--|
| El cabezal de dosificación de líquido no dispensa ningún líquido. | El filtro de aspiración está obstruido. | Compruebe si hay líquido en el tubo de líquido. | Limpie o sustituya el filtro de aspiración. |
| | El cabezal de dosificación no está correctamente instalado. | – | Retire y vuelva a instalar el cabezal de dosificación en el soporte. Asegúrese de presionar hasta oír un clic. |
| El líquido se fuga por el tapón de la botella o por el cabezal de dosificación. | El tubo no está bien conectado. | – | Apriete la tuerca de fijación del tapón de la botella y del cabezal de dosificación. Asegúrese de que el extremo del tubo esté cortado en recto. |
| | El anillo de estanqueidad o la tuerca de fijación están dañados. | – | Cambie el anillo de estanqueidad y la tuerca de fijación del tapón de la botella o del cabezal de dosificación. Consulte el apartado «Mantenimiento». Asegúrese de que el extremo del tubo esté cortado en recto. |

| Síntoma de error | Causa posible | Diagnóstico | Solución |
|--|--|---|---|
| El líquido gotea por el cabezal de dosificación de líquido QL003. | Se han introducido impurezas en el cabezal de dosificación de líquido QL003. | – | Utilice la función Purga durante al menos 10 segundos para enjuagar el cabezal de dosificación. Compruebe si el cabezal de dosificación sigue goteando. Repítalo si es necesario. Si el cabezal de dosificación no se puede limpiar correctamente, sustitúyalo. |
| La luz de estado de la bomba no parpadea cuando el dispositivo está conectado a la alimentación. | La bomba está desconectada de la alimentación eléctrica. | Desconecte y vuelva a conectar el adaptador de CA/CC de la bomba. La luz indicadora debería parpadear una vez cuando el dispositivo esté conectado a la alimentación. Compruebe que el adaptador de CA/CC y el cable de alimentación no estén dañados. | Sustituya el adaptador de CA/CC y el cable de alimentación. |
| | La bomba está dañada. | Realice una comprobación con otra bomba, si está disponible. | Sustituya la bomba. Póngase en contacto con su representante de asistencia técnica de METTLER TOLEDO. |
| En la pantalla, la bomba QL3 no aparece en la lista de dispositivos conectados a la balanza. | La bomba está desconectada de la alimentación eléctrica. | Desconecte y vuelva a conectar el adaptador de CA/CC de la bomba. La luz indicadora debería parpadear una vez cuando el dispositivo esté conectado a la alimentación. Compruebe que el adaptador de CA/CC y el cable de alimentación no estén dañados. | Sustituya el adaptador de CA/CC y el cable de alimentación. |
| | El cable USB no está bien conectado. | Compruebe que el cable USB esté bien conectado. | Conecte el cable USB correctamente. |
| | El cable USB está dañado. | Compruebe que el cable USB no esté dañado. | Sustituya el cable USB. |
| | El puerto USB-A de la balanza está dañado. | Desconecte la bomba del puerto USB-A de la balanza. Conecte un ratón USB al mismo puerto USB-A. Compruebe que aparece un puntero (flecha) en el terminal y que se puede mover al desplazar el ratón. | Si no aparece el puntero del ratón, póngase en contacto con su representante de asistencia técnica de METTLER TOLEDO. |

| Síntoma de error | Causa posible | Diagnóstico | Solución |
|------------------|-----------------------|--|--|
| | La bomba está dañada. | Realice una comprobación con otra bomba, si está disponible. | Sustituya la bomba. Póngase en contacto con su representante de asistencia técnica de METTLER TOLEDO. |

8 Características técnicas



Consulte el manual de referencia (MR) de su balanza o módulo de dosificación para obtener más información. Los manuales están disponibles en línea o a través de su representante de servicio de METTLER TOLEDO.

► www.mt.com/XPR-analytical-RM

► www.mt.com/XPR-automatic

8.1 Características generales

| | |
|----------------------|------------------------|
| Peso (sin embalaje): | 470 g |
| Consumo eléctrico: | 12 V CC ± 6 %, 1 A |

Protección y estándares

| | |
|----------------------------|---|
| Categoría de sobrevoltaje: | II |
| Grado de contaminación: | 2 |
| Ámbito de aplicación: | Utilícese solo en lugares secos en interiores |

Condiciones ambientales

| | |
|--------------------------------|---|
| Altura sobre el nivel del mar: | Hasta 5000 m |
| Temperatura ambiente: | De +5 a +40 °C |
| Humedad relativa en el aire: | De 20 % a máx. 80 % a 31 °C, con un decrecimiento lineal de hasta el 50 % a 40 °C, sin condensación |

Condiciones de almacenamiento (en el embalaje)

| | |
|------------------------------|---------------------------|
| Temperatura ambiente: | De -25 a +70 °C |
| Humedad relativa en el aire: | 10-90 %, sin condensación |

9 Eliminación de residuos

Conforme a las exigencias de la Directiva 2012/19/UE sobre residuos de aparatos eléctricos y electrónicos (RAEE), esta unidad no debe eliminarse con la basura doméstica. Esta prohibición es asimismo válida para los países que no pertenecen a la UE cuyas normativas nacionales en vigor así lo reflejan.



Elimine este producto, según las disposiciones locales, mediante el sistema de recogida selectiva de aparatos eléctricos y electrónicos. Si tiene alguna pregunta al respecto, diríjase a las autoridades responsables o al distribuidor que le proporcionó el equipo. En caso de que este dispositivo se transfiera a terceros, deberá transmitirse también el contenido de esta normativa.

Table des matières

| | | |
|----------|---|-----------|
| 1 | Introduction | 3 |
| 1.1 | Autres documents et informations | 3 |
| 1.2 | Explication des conventions et symboles utilisés | 3 |
| 1.3 | Acronymes et abréviations | 4 |
| 1.4 | Informations concernant la conformité | 4 |
| 2 | Consignes de sécurité | 4 |
| 2.1 | Définition des termes de notification et des symboles d'avertissement | 5 |
| 2.2 | Consignes de sécurité relatives au produit | 5 |
| 3 | Structure et fonction | 8 |
| 3.1 | Description de fonction | 8 |
| 3.2 | Présentation | 8 |
| 3.3 | Description des composants | 9 |
| 3.4 | Puce RFID de la tête de dosage | 10 |
| 4 | Installation et mise en route | 10 |
| 4.1 | Inclus dans la livraison | 10 |
| 4.2 | Sélection de l'emplacement | 11 |
| 4.3 | Configuration du système de dosage de liquide | 11 |
| 4.3.1 | Interface de la pompe | 11 |
| 4.3.2 | Câblage de la pompe | 11 |
| 4.3.3 | Raccordement des tubes | 12 |
| 5 | Utilisation | 16 |
| 5.1 | Dosage de liquides | 16 |
| 5.1.1 | Installation et retrait de la tête de dosage de liquide | 16 |
| 5.1.2 | Réglage de la hauteur de dosage | 17 |
| 5.1.3 | Fixation de la tête de dosage sur le bouchon du flacon | 17 |
| 5.1.4 | Manipulation de la bouteille | 18 |
| 5.1.5 | Utilisation de la pompe QL3 | 19 |
| 5.2 | Utilisation d'autres méthodes de pesage | 19 |
| 6 | Maintenance | 20 |
| 6.1 | Nettoyage | 20 |
| 6.1.1 | Nettoyage du boîtier | 20 |
| 6.1.2 | Nettoyage de la cage de pesée | 20 |
| 6.1.3 | Nettoyage des éléments de dosage de liquide | 20 |
| 6.2 | Remplacement de la bague d'étanchéité et de l'écrou de fixation sur le tube pour liquides | 21 |
| 7 | Dépannage | 22 |
| 7.1 | Symptômes d'erreur | 22 |
| 8 | Caractéristiques techniques | 23 |
| 8.1 | Données générales | 24 |
| 9 | Mise au rebut | 24 |

1 Introduction

1.1 Autres documents et informations

Ce document est disponible en ligne dans d'autres langues.

► www.mt.com/XPR-automatic

Recherche de téléchargements
de logiciels

► www.mt.com/labweighing-software-download

Recherche de documents


► www.mt.com/library

Pour toute autre question, veuillez contacter votre METTLER TOLEDO revendeur ou représentant de service agréé.

► www.mt.com/contact

1.2 Explication des conventions et symboles utilisés

Conventions et symboles

Les désignations des touches ou boutons apparaissent sous forme d'élément graphique ou de texte en gras, par ex.  **Éditer**.

Remarque

Ce symbole signale des informations utiles sur le produit.

Fait référence à un document externe.



Instructions

Vous trouverez dans ce manuel des instructions détaillées, présentées comme suit. Les étapes sont numérotées et peuvent indiquer des conditions préalables, des résultats intermédiaires et des résultats, comme illustré dans l'exemple. Les séquences comportant moins de deux étapes ne sont pas numérotées.

- Les conditions préalables à remplir avant les étapes individuelles peuvent être exécutées.

1 Étape 1

⇒ Résultat intermédiaire

2 Étape 2

⇒ Résultat

1.3 Acronymes et abréviations

| Terme source | Terme traduit | Description |
|--------------|---------------|---|
| EMC | | Electromagnetic Compatibility (Compatibilité électromagnétique) |
| FCC | | Federal Communications Commission (Commission fédérale des communications) |
| LPS | | Limited Power Source (Source à puissance limitée) |
| POM | | Polyoxymethylene (Polyoxyméthylène) |
| RFID | | Radio-frequency identification (Identification par radiofréquence) |
| RM | | Reference Manual (Manuel de référence) |
| sd | | Standard deviation |
| SELV | TBTS | Safety Extra Low Voltage (Très basse tension de sécurité) |
| SOP | MON | Standard Operating Procedure (Mode opératoire normalisé) |
| UM | | User Manual (Manuel utilisateur) |
| USB | | Universal Serial Bus (Bus universel en série) |

1.4 Informations concernant la conformité

Les documents d'approbation au niveau national, comme la déclaration de conformité du fournisseur FCC, sont disponibles en ligne et/ou inclus dans l'emballage.

► <http://www.mt.com/ComplianceSearch>



Consultez le Manuel de référence (MR) pour plus d'informations.

► www.mt.com/QLX3-RM

2 Consignes de sécurité

Deux documents nommés « Manuel d'utilisation » et « Manuel de référence » sont proposés avec cet instrument.

- Le manuel d'utilisation est imprimé et fourni avec l'instrument.
- Le manuel de référence au format électronique offre une description exhaustive de l'instrument et de son utilisation.
- Conservez les deux documents pour pouvoir les consulter ultérieurement.
- Si vous prêtez l'appareil à une autre personne, fournissez-lui ces deux documents.

Utilisez l'instrument uniquement comme indiqué dans le manuel d'utilisation et le manuel de référence. Toute utilisation non conforme aux instructions fournies dans ces documents ou toute modification de l'instrument est susceptible de nuire à la sécurité de l'instrument et Mettler-Toledo GmbH ne saurait en aucun cas être tenue pour responsable.

2.1 Définition des termes de notification et des symboles d'avertissement

Les consignes de sécurité contiennent des informations importantes sur la sécurité. Si vous n'en tenez pas compte, vous risquez de vous blesser, d'endommager l'instrument, d'engendrer des dysfonctionnements et des résultats erronés. Les consignes de sécurité peuvent être identifiées grâce aux termes de signalisation et aux symboles d'avertissement suivants :

Termes de signalisation

| | |
|----------------------|---|
| DANGER | Signale une situation dangereuse présentant un risque élevé et pouvant résulter en des blessures graves ou mortelles, si la mise en garde n'est pas respectée. |
| AVERTISSEMENT | Signale une situation dangereuse présentant un risque moyen et pouvant entraîner des blessures graves ou mortelles, si la mise en garde n'est pas respectée. |
| ATTENTION | Signale une situation dangereuse impliquant un risque faible, susceptible d'entraîner des blessures légères ou modérées, si la mise en garde n'est pas respectée. |
| AVIS | Signale une situation dangereuse impliquant un risque faible, susceptible de causer des dommages matériels, notamment à l'instrument, des dysfonctionnements, des résultats erronés ou des pertes de données. |

Symboles d'avertissement



Danger d'ordre général



Avis

2.2 Consignes de sécurité relatives au produit

Usage prévu

Ce système de dosage est conçu pour être utilisé dans des laboratoires d'analyse par du personnel formé. Ce système de dosage sert à peser et à doser des échantillons de poudre ou de liquides.

Sauf autorisation de Mettler-Toledo GmbH, tout autre type d'utilisation et de fonctionnement en dehors des caractéristiques techniques définies par Mettler-Toledo GmbH est considéré non conforme.

Responsabilités du propriétaire de l'instrument

Le propriétaire de l'instrument est la personne qui détient le titre de propriété de l'instrument et qui utilise l'instrument ou autorise une personne à l'utiliser, ou qui est réputée être l'opérateur de l'instrument aux yeux de la loi. Le propriétaire de l'instrument est responsable de la sécurité de tous les utilisateurs de l'instrument et des tiers.

Mettler-Toledo GmbH part du principe que le propriétaire de l'instrument forme les utilisateurs à une utilisation sûre de l'instrument sur leur lieu de travail et qu'il aborde les dangers que son utilisation implique. Mettler-Toledo GmbH part du principe que le propriétaire de l'instrument fournit l'équipement de protection nécessaire.

Équipement de protection



Gants résistant aux produits chimiques



Lunettes de protection



Blouse de laboratoire

Notes de sécurité



⚠ AVERTISSEMENT

Mort ou blessures graves à la suite d'une décharge électrique

Tout contact avec les pièces sous tension peut entraîner des blessures graves ou la mort.

- 1 Utilisez uniquement le câble d'alimentation secteur et l'adaptateur CA/CC METTLER TOLEDO conçus pour votre instrument.
- 2 Branchez le câble d'alimentation à une prise électrique mise à la terre.
- 3 Tenez les câbles et les prises électriques à l'écart des liquides et de l'humidité.
- 4 Vérifiez que les câbles et la prise d'alimentation ne sont pas endommagés et remplacez-les en cas de dommage.



⚠ AVERTISSEMENT

Blessures et/ou dommages causé(e)s par des substances dangereuses

Des dangers chimiques, biologiques ou radioactifs peuvent être associés aux substances traitées par l'instrument. Lors des procédures de dosage, de petites quantités de la substance dosée peuvent être projetées dans l'air et pénétrer dans l'instrument ou contaminer son environnement. Les caractéristiques de la substance et les dangers associés sont l'entière responsabilité du propriétaire de l'instrument.

- 1 Il convient de tenir compte des dangers potentiels associés à la substance et de prendre des mesures de sécurité appropriées comme, par exemple, celles indiquées sur la fiche technique de sécurité fournie par le fabricant.
- 2 Assurez-vous que chaque partie de l'instrument en contact avec la substance n'est pas altérée ou endommagée par celle-ci.



⚠ AVERTISSEMENT

Blessures ou dommages causé(e)s par la manipulation de poudre

Les poudres peuvent être comprimées dans la tête de dosage et l'obstruer. Une force excessive, appliquée par le mécanisme de la tête de dosage, peut occasionner une cassure et des substances potentiellement dangereuses peuvent être projetées dans l'air.

- 1 Manipulez les têtes de dosage avec précaution.
- 2 Si la tête de dosage semble obstruée, arrêtez les dosages. Retirez la tête de l'instrument et retournez-la pour faire tomber la poudre.
- 3 Cessez immédiatement le travail en cas de fuite ou de cassure.



⚠ AVERTISSEMENT

Blessures et/ou dommages causés par des substances réactives, inflammables ou explosives

Lors de la procédure de dosage, des substances peuvent se mélanger et provoquer une réaction exothermique ou une explosion. Les poudres, les liquides et les gaz sont concernés.

Les caractéristiques de l'échantillon et les dangers associés sont l'entière responsabilité du propriétaire de l'instrument.

- 1 Il convient de tenir compte des dangers potentiels associés aux substances réactives, inflammables ou explosives.
- 2 Assurez-vous que la température de service est suffisamment basse pour empêcher la formation de flammes ou une explosion.



⚠️ AVERTISSEMENT

Risque de blessure ou de mort lié aux substances toxiques, explosives ou inflammables

Si vous utilisez des liquides toxiques, explosifs ou inflammables avec la pompe, l'air d'échappement sera contaminé.

- Raccordez un tube à l'orifice de sortie d'air d'échappement pour recueillir l'air contaminé.



⚠️ AVERTISSEMENT

Blessures et/ou dommages causé(e)s par des substances réactives

Lorsque la pression est libérée du flacon, l'air/le gaz contenu dans celle-ci retourne vers la pompe. L'air/le gaz provenant des sorties associées se mélange dans la pompe. Les molécules des substances contenues dans les différents flacons peuvent entrer en contact à travers ce(t) air/gaz contaminé.

- 1 Ne raccordez jamais simultanément des flacons avec des liquides incompatibles à la même pompe.
- 2 Avant de raccorder un deuxième liquide incompatible à la pompe, déconnectez le premier flacon et purgez la cavité de la pompe avec de l'air/du gaz propre.



⚠️ AVERTISSEMENT

Dégâts et dommages à la pompe/au flacon causés par une pression élevée

La pression élevée d'un gaz externe peut endommager la pompe ou le flacon.

- 1 Utilisez un régulateur placé sur la conduite de gaz externe.
- 2 Assurez-vous que la pression du gaz externe ne dépasse pas 0,5 bar (7,2 psi).



⚠️ ATTENTION

Blessures causées par des projections de liquides

Si la pression du flacon n'est pas relâchée, du liquide risque d'être projeté lors de l'ouverture du flacon ou du retrait de la vanne de microdosage ou du tube pour liquides.

- Relâchez toujours la pression avant d'ouvrir le flacon ou de retirer la vanne de microdosage ou le tube pour liquides.



⚠️ ATTENTION

Blessures causées par des fuites de liquides

Un tube mal coupé peut entraîner des défauts d'étanchéité.

- Coupez les tubes avec un coupe-tube ou un couteau aiguisé.



⚠️ ATTENTION

Blessures causées par des pièces mobiles

- Ne cherchez pas à atteindre la zone de travail lorsque des pièces de l'instrument sont en mouvement.



⚠️ ATTENTION

Blessures causées par des objets tranchants ou des bris de verre

Les composants de l'instrument comme, par exemple, le verre, peuvent se casser et occasionner des blessures.

- Concentration et attention sont les maîtres mots.



AVIS

Détérioration ou dysfonctionnement de l'instrument découlant de l'utilisation de pièces inadaptées

- Veuillez à n'utiliser que des pièces de METTLER TOLEDO destinées à être utilisées avec votre instrument.



AVIS

Risque d'endommager l'instrument

L'instrument ne contient aucune pièce nécessitant une intervention de maintenance de la part de l'utilisateur.

- 1 N'ouvrez pas l'instrument.
- 2 En cas de problème, veuillez contacter un représentant METTLER TOLEDO.



AVIS

Domages causés à l'instrument par l'utilisation de méthodes de nettoyage inappropriées

L'infiltration de liquide dans le boîtier peut endommager l'instrument. La surface de l'instrument peut être endommagée par certains produits de nettoyage, solvants ou abrasifs.

- 1 Ne pas pulvériser ni verser de liquide sur l'instrument.
- 2 Utiliser uniquement les produits de nettoyage indiqués dans le manuel de référence (MR) de l'instrument ou le guide "8 Steps to a Clean Balance".
- 3 Utiliser uniquement un chiffon légèrement humide et non pelucheux ou du papier absorbant pour nettoyer l'instrument.
- 4 Essayez immédiatement toute trace de liquide.

3 Structure et fonction

3.1 Description de fonction

Le **module pour liquides QLX3** peut être ajouté aux **balances d'analyse XPR** pour effectuer un dosage automatique des liquides. La tête de dosage pour liquides est fixée au module pour liquides et se situe à l'intérieur de la cage de pesée. La position verticale du module pour liquides se règle manuellement. La **pompe QL3** et le **kit QLL pour flacon** complètent le système. La **pompe QL3** est utilisée pour augmenter la pression dans le flacon. Dès que la pression est suffisamment élevée, la vanne de microdistribution de la tête de dosage pour liquides s'ouvre et le liquide remonte dans le tube pour liquides. Plusieurs pompes peuvent être raccordées simultanément à la balance et chaque pompe peut prendre en charge jusqu'à trois flacons (kits QLL).

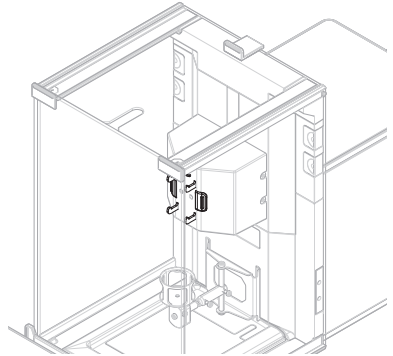
3.2 Présentation

Voir la section « Overview » (graphiques et légendes) au tout début de ce manuel.

3.3 Description des composants

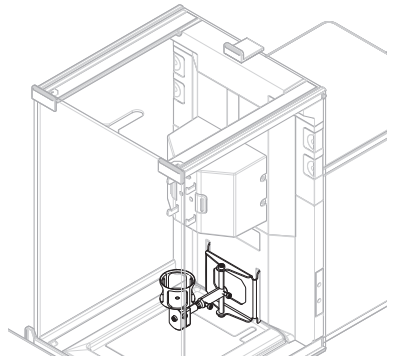
Support pour tête de dosage

La tête de dosage pour liquides se fixe au support pour tête de dosage. La tête de dosage peut être sortie du support à l'aide de l'un des boutons de déverrouillage situés de chaque côté du support.



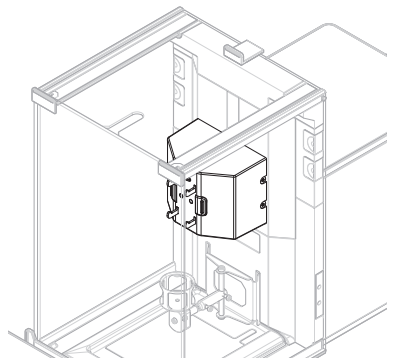
flacon ErgoClip

Le flacon ErgoClip s'utilise avec des adaptateurs de flacon afin de positionner les flacons de manière optimale. Ces adaptateurs sont disponibles pour des flacons de différents diamètres et de différentes hauteurs. Voir Accessoires.



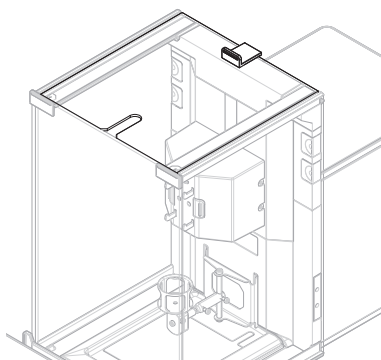
Module pour liquides

La tête de dosage pour liquides se fixe au module pour liquides. Le module peut être déplacé manuellement vers le haut et vers le bas pour régler la distance entre le contenant et l'extrémité de la tête de dosage.



Module pour liquides à porte supérieure

Le module pour liquides est équipé d'une porte supérieure dotée d'une fente à travers laquelle le tube pour liquides peut passer pour atteindre l'intérieur de la cage de pesée. Cette porte est placée sur les mêmes rails que la porte supérieure standard de la balance et peut être ouverte et fermée manuellement ou automatiquement.

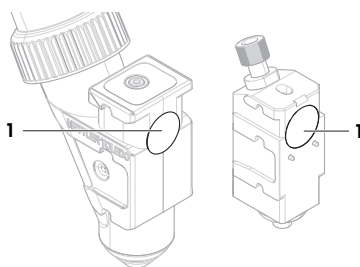


3.4 Puce RFID de la tête de dosage

Chaque tête de dosage pour poudres et liquides est équipée d'une puce RFID intégrée (1) qui stocke et échange les données avec l'instrument.

Différentes données sont stockées sur la puce RFID des têtes de dosage, telles que le nom de la substance, l'ID de lot, la date de remplissage, la date d'expiration, etc. Elle inclut également des champs de données personnalisés.

Ces données peuvent être modifiées sur le terminal et doivent être définies avant d'utiliser une nouvelle tête de dosage afin que les données soient disponibles pour les comptes rendus et les étiquettes.



4 Installation et mise en route

Cet instrument doit être installé par un technicien de maintenance METTLER TOLEDO.

Le module pour liquides QLX3 est compatible avec toutes les balances d'analyse XPR avec pare-brise haut.

4.1 Inclus dans la livraison

Module pour liquides QLX3

- Module pour liquides QLX3
- Module pour liquides à porte supérieure
- flacon ErgoClip
- Différents adaptateurs de flacon, 4 unités
- Déclaration de conformité
- Guide de l'utilisateur

Le contenu de la livraison de la **pompe QL3** et des **kits QLL pour flacons** figure dans la documentation fournie avec ces produits.

4.2 Sélection de l'emplacement

Une balance est un instrument de précision très sensible. L'emplacement de son installation influe notablement sur l'exactitude des résultats de pesée.

Exigences relatives à l'emplacement

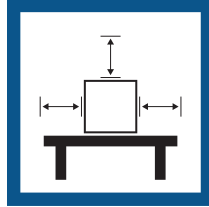
Installez-le à l'intérieur sur une table stable



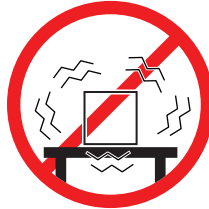
Évitez toute exposition directe aux rayons du soleil



Laissez un espace suffisant tout autour



Évitez toute vibration



Mettez l'instrument de niveau



Évitez les courants d'air violents



Prévoyez un éclairage suffisant



Évitez tout changement de température



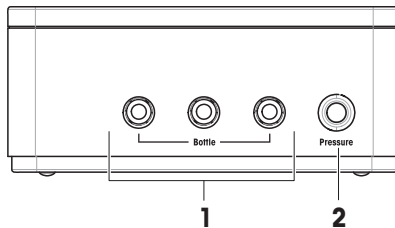
Espace suffisant pour les balances : > 15 cm tout autour de l'instrument.

Tenez compte des conditions environnementales. Voir "Caractéristiques techniques".

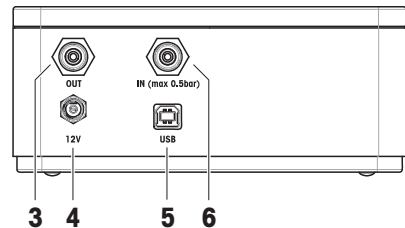
4.3 Configuration du système de dosage de liquide

4.3.1 Interface de la pompe

Vue de face



Vue arrière



| | | | |
|---|--|---|----------------------------|
| 1 | Sorties d'air (vers le flacon) | 4 | Prise d'adaptateur secteur |
| 2 | Bouton de décompression et voyant lumineux | 5 | Port USB-B (vers l'hôte) |
| 3 | Sortie d'air d'échappement | 6 | Orifice d'entrée d'air |

4.3.2 Câblage de la pompe

- 1 Disposez les câbles de façon à ce qu'ils ne puissent pas être endommagés ou qu'ils ne perturbent pas l'utilisation de l'instrument.

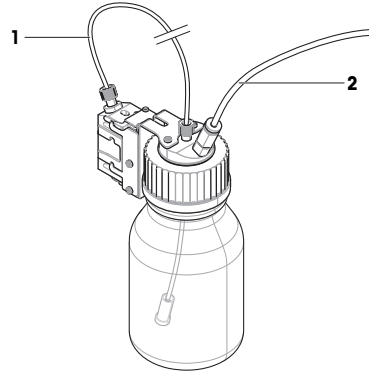
- 2 Insérez la fiche de l'adaptateur secteur dans la prise d'alimentation de la pompe.
- 3 Fixez la fiche en serrant bien l'écrou moleté.
- 4 Branchez la fiche du câble d'alimentation dans une prise électrique mise à la terre et facile d'accès.
- 5 À l'aide du câble USB, raccordez le port USB-B de la pompe à l'un des ports USB-A de la balance.

4.3.3 Raccordement des tubes

Définition des tubes

Le tube pour liquides est le tube plus fin (1) utilisé pour le transport de liquides du flacon à la tête de dosage pour liquides. Le tube d'air est le tube légèrement plus gros (2) utilisé pour pomper l'air dans le flacon. L'ajout d'air dans le tube d'air fait augmenter la pression dans le flacon. Lorsque la pression atteint la pression cible, entre 0,3 et 0,5 bar (4,4 et 7,2 psi), la vanne de microdistribution de la tête de dosage s'ouvre et le liquide peut remonter dans le tube pour liquides.

- 1 Tube pour liquides
- 2 Tube d'air



Préparation du tube pour liquides



⚠ ATTENTION

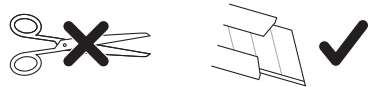
Blessures causées par des fuites de liquides

Un tube mal coupé peut entraîner des défauts d'étanchéité.

- Coupez les tubes avec un coupe-tube ou un couteau aiguisé.

- La tête de dosage pour liquides est insérée dans le support de tête de dosage pour liquides du flacon.

- 1 À l'aide d'un coupe-tube ou d'un couteau aiguisé, coupez une quantité suffisante de tube. La longueur appropriée dépend principalement de la distance entre la balance et le flacon pendant le dosage.
Longueur recommandée : environ 0,9 m



- 2 **AVIS: Fuite de liquide due à un mauvais assemblage. Faites attention à l'orientation de la bague d'étanchéité lorsque vous la vissez sur le tube.**

Placez la bague d'étanchéité (1) sur une surface plane et stable, par exemple une table ou un établi, avec l'extrémité la plus large vers le bas.

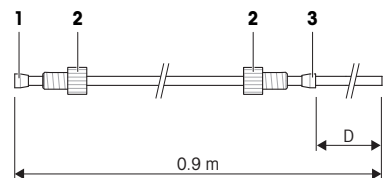
- 3 Prenez l'extrémité du tube pour liquides et placez-la dans la bague d'étanchéité.

➔ Il s'agit de l'extrémité tête de dosage du tube. Le côté opposé est l'extrémité bouteille.

- 4 Vissez les deux écrous de fixation (2) en faisant attention à l'orientation.

- 5 **AVIS: Fuite de liquide due à un mauvais assemblage. Faites attention à l'orientation de la bague d'étanchéité lorsque vous la vissez sur le tube.**

Vissez la bague d'étanchéité (3) à partir de l'extrémité flacon du tube.



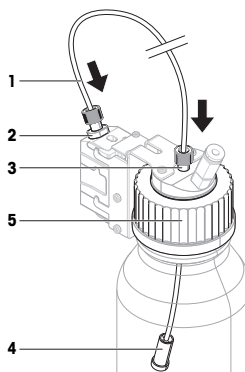
- Faites glisser la bague d'étanchéité jusqu'à ce que la distance (D) soit suffisante pour que le tube atteigne le fond du flacon. Les distances recommandées pour les volumes de flacons standard sont indiquées ci-après.

Distances types (D) entre la bague d'étanchéité et l'extrémité flacon du tube

| Filetage | Volume du flacon | Distance (D) |
|----------|------------------|--------------|
| GL45 | 1 000 ml | 220 mm |
| | 500 ml | 170 mm |
| | 250 ml | 135 mm |
| GL25 | 25 ml | 90 mm |

Raccordement du tube pour liquides

- Insérez l'extrémité tête de dosage du tube (1) dans la tête de dosage (2).
- Serrez fermement l'écrou de fixation sur la tête de dosage.
- Insérez l'extrémité flacon du tube dans le trou correspondant sur le bouchon du flacon (3). Le tube doit atteindre le fond du flacon.
- Si nécessaire, fixez le filtre d'aspiration (4) à l'extrémité flacon du tube.
- Serrez fermement l'écrou de fixation sur le bouchon du flacon.
- Vissez le bouchon sur le flacon (5).



Le filtre d'aspiration permet de s'assurer qu'aucune particule ou impureté n'est transportée à travers la tête de dosage pour liquides. L'utilisation du filtre d'aspiration prolongera la durée de vie de la tête de dosage. Toutefois, lors du dosage de solutions, les molécules de l'une des substances peuvent être absorbées par le filtre d'aspiration, ce qui modifie la concentration de la solution. Le filtre d'aspiration doit être uniquement utilisé pour le dosage de solvants purs.

Raccordement du tube d'air



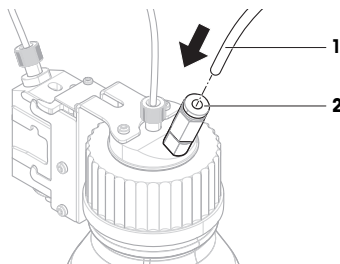
⚠ AVERTISSEMENT

Blessures et/ou dommages causé(s) par des substances réactives

Lorsque la pression est libérée du flacon, l'air/le gaz contenu dans celle-ci retourne vers la pompe. L'air/le gaz provenant des sorties associées se mélange dans la pompe. Les molécules des substances contenues dans les différents flacons peuvent entrer en contact à travers ce(t) air/gaz contaminé.

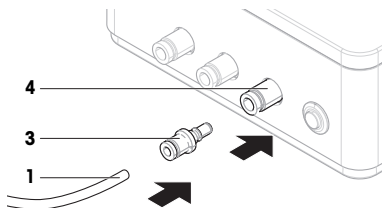
- Ne raccordez jamais simultanément des flacons avec des liquides incompatibles à la même pompe.
- Avant de raccorder un deuxième liquide incompatible à la pompe, déconnectez le premier flacon et purgez la cavité de la pompe avec de l'air/du gaz propre.

- 1 À l'aide d'un coupe-tube ou d'un couteau aiguisé, coupez une quantité suffisante de tube. La longueur appropriée dépend principalement de la distance entre le flacon et la pompe pendant le dosage.
Longueur recommandée : environ 0,7 m
- 2 Raccordez le tube d'air (1) à l'orifice d'entrée d'air du flacon (2).



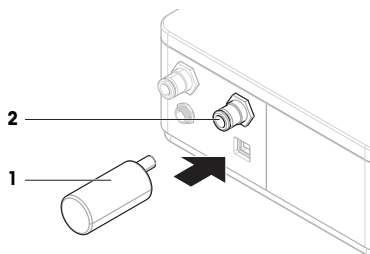
- 3 Insérez l'autre extrémité du tube d'air (1) dans un adaptateur de tube (3) et appuyez fermement.
- 4 Raccordez l'adaptateur de tube (3) à l'une des sorties d'air (4) de la pompe. Appuyez jusqu'à entendre un clic.

Lorsqu'un tube est raccordé à la sortie d'air de la pompe, la vanne de la sortie d'air s'ouvre. Ne laissez jamais un tube raccordé à la sortie d'air s'il n'est pas raccordé à l'autre extrémité, car aucune pression ne pourrait se former. Vous pouvez raccorder jusqu'à trois flacons à chaque pompe.



Raccordement du silencieux

- Insérez le silencieux (1) dans l'entrée d'air (2) pour absorber le bruit.



Retrait du tube d'air



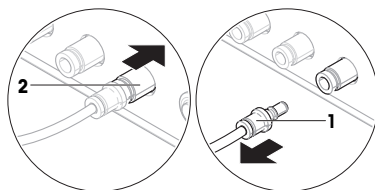
AVIS

Dommmages causés aux connecteurs du tube par une mauvaise manipulation

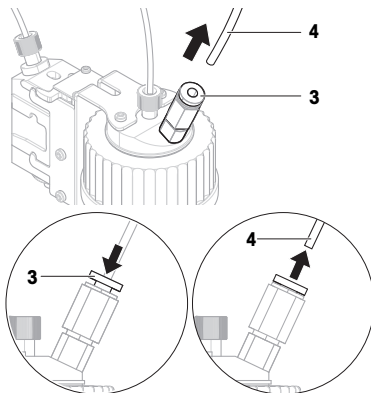
Si les tubes ne sont pas retirés correctement, les connecteurs de la pompe et le bouchon du flacon peuvent être endommagés.

- Pour retirer les tubes, appuyez vers le bas sur la bague du connecteur et tirez délicatement le tube.

- 1 Retirez l'adaptateur de tube (1) de la pompe en poussant le connecteur (2) de la sortie d'air vers la pompe.
➔ L'adaptateur est libéré et peut être retiré.



- 2 Retirez le tube d'air du flacon en appuyant fermement sur la bague (3) et en retirant simultanément le tube (4).
- 3 Si nécessaire, par exemple à des fins de maintenance, suivez la même procédure pour retirer le tube d'air de l'adaptateur de tube : appuyez fermement sur la bague et retirez simultanément le tube.



Utilisation de la pompe avec du gaz externe

Le liquide peut être protégé en envoyant un gaz externe, par exemple de l'azote, à la pompe. Assurez-vous que la pression du gaz externe ne dépasse pas 0,5 bar (7,2 psi).



AVERTISSEMENT

Dégâts et dommages à la pompe/au flacon causés par une pression élevée

La pression élevée d'un gaz externe peut endommager la pompe ou le flacon.

- 1 Utilisez un régulateur placé sur la conduite de gaz externe.
- 2 Assurez-vous que la pression du gaz externe ne dépasse pas 0,5 bar (7,2 psi).

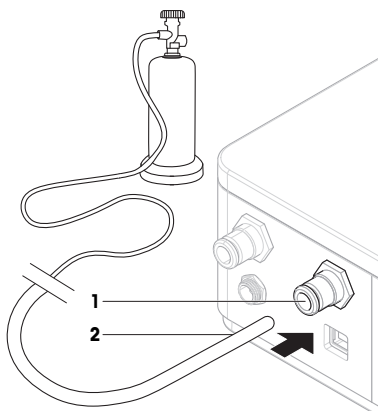
- Un régulateur est raccordé à la conduite de gaz externe.
- 1 Retirez le silencieux de l'entrée d'air (1).
 - 2 Raccordez le tube de gaz externe (2) à l'entrée d'air (1).

Remarque

Diamètre extérieur du tube : 6 mm

Pression dans la conduite de gaz externe : La pression doit être d'au moins 0,1 bar (1,5 psi). La pression ne doit pas dépasser la pression de dosage configurée sur le terminal.

Le tube de gaz externe n'est pas fourni par METTLER TOLEDO.



Collecte de l'air contaminé



AVERTISSEMENT

Risque de blessure ou de mort lié aux substances toxiques, explosives ou inflammables

Si vous utilisez des liquides toxiques, explosifs ou inflammables avec la pompe, l'air d'échappement sera contaminé.

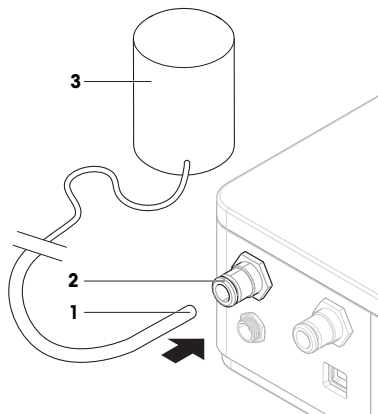
- Raccordez un tube à l'orifice de sortie d'air d'échappement pour recueillir l'air contaminé.

- Raccordez un tube (1) à l'orifice de sortie d'air d'échappement (2) pour recueillir l'air contaminé dans un contenant sûr (3).

Remarque

Diamètre extérieur du tube : 6 mm

Le tube d'évacuation d'air et le contenant ne sont pas fournis par METTLER TOLEDO.



5 Utilisation

5.1 Dosage de liquides



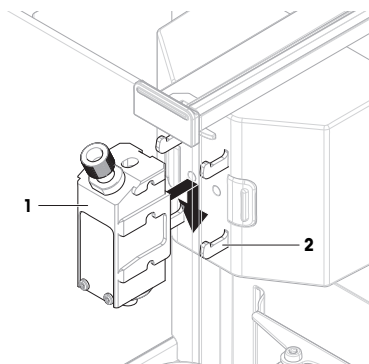
Pour plus d'informations, consultez le manuel de référence (MR) de votre balance XPR.

► www.mt.com/XPR-analytical-RM

5.1.1 Installation et retrait de la tête de dosage de liquide

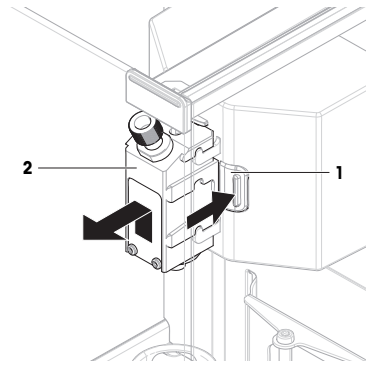
Installation de la tête de dosage

- 1 Faites glisser jusqu'en butée la tête de dosage (1) sur le support de tête de dosage (2).
- 2 Appuyez légèrement sur la tête de dosage jusqu'à ce qu'elle se positionne correctement dans son support (2).
 - La tête de dosage est verrouillée dans le support.
- 3 Enfillez le tube pour liquides dans la fente de la porte supérieure.
 - La tête de dosage est maintenant prête pour le dosage.



Retrait de la tête de dosage

- 1 Appuyez sur le bouton de déverrouillage (1) de chaque côté du support de tête de dosage pour libérer la tête de dosage (2).
- 2 Tirez simultanément la tête de dosage (2) vers le haut et vers l'extérieur.

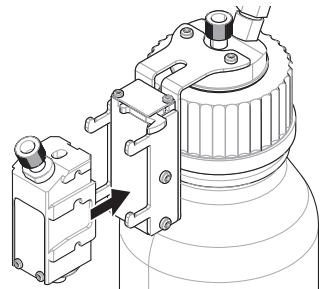


5.1.2 Réglage de la hauteur de dosage

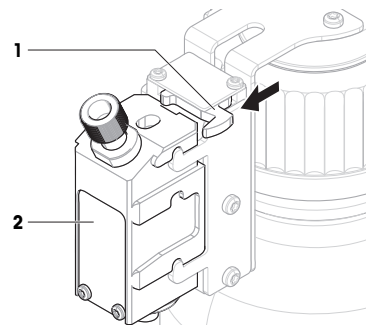
La position verticale du module pour liquides se règle manuellement en déplaçant ce dernier vers le haut et vers le bas, le long des rails.

5.1.3 Fixation de la tête de dosage sur le bouchon du flacon

- 1 Insérez la tête de dosage pour liquides dans son support.



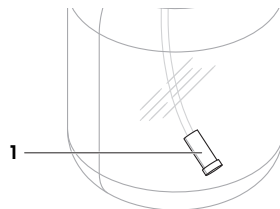
- 2 Pour la retirer de son support, tirez le levier (1) en direction de la tête de dosage et retirez cette dernière (2).



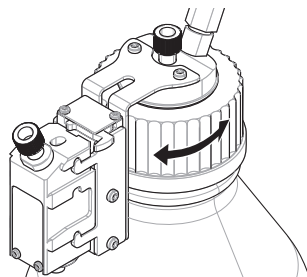
5.1.4 Manipulation de la bouteille

Remplissage du flacon

Le filtre d'aspiration (1) doit toujours être recouvert de liquide. Remplissez à nouveau le flacon avant que le filtre d'aspiration ne sèche.



- La pression est relâchée.
- 1 **⚠ ATTENTION: Blessures causées par des projections de liquide. Assurez-vous que la pression dans le flacon est relâchée.**
Dévissez le bouchon.
 - 2 Remplissez de liquide. Ne dépassez pas la limite maximale (la limite est indiquée sur le flacon, par ex. 1 000 ml). L'air au-dessus du liquide est nécessaire pour le dosage.
 - 3 Vissez fermement le bouchon.



Modification du contenu du flacon

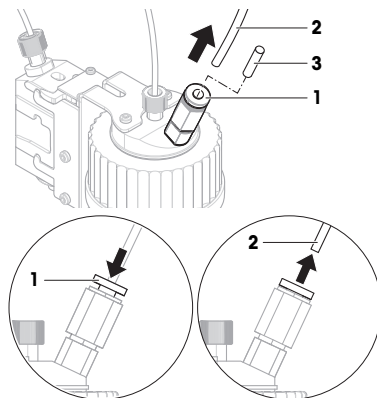
Cette procédure est utilisée si vous disposez d'un seul bouchon avec tête de dosage et souhaitez changer le liquide à doser.

- La pression est relâchée.
- 1 **⚠ ATTENTION: Blessures causées par des projections de liquide. Assurez-vous que la pression dans le flacon est relâchée.**
Dévissez le bouchon.
 - 2 Retirez le filtre d'aspiration, le cas échéant.
 - 3 Si le bouchon doit être nettoyé, retirez le tube d'air.
Dévissez l'écrou de fixation du bouchon.
Rincez le bouchon avec le solvant ou le liquide approprié.
Introduisez le tube pour liquides dans le bouchon.
 - 4 Si le tube pour liquides doit être nettoyé avec un solvant, remplissez le flacon avec le solvant approprié.
Vissez le bouchon sur le flacon.
Insérez le tube d'air dans le bouchon.
Purgez à l'aide de la fonction **Purge** sur le terminal.
Dévissez le bouchon.
Éliminez le reste du solvant.
 - 5 Insérez un nouveau filtre d'aspiration, le cas échéant.
 - 6 Vissez le bouchon sur le flacon contenant le nouveau liquide.
 - 7 Vérifiez qu'il tient bien.
 - 8 Raccordez le tube d'air au nouveau flacon.
 - 9 Purgez à l'aide de la fonction **Purge**.

Raccordement du tube d'air à un autre flacon

Si vous possédez plusieurs flacons équipés d'un bouchon et d'une tête de dosage, et que vous souhaitez utiliser la même sortie de pompe et le même tube d'air pour effectuer un dosage à partir d'un autre flacon :

- La pression est relâchée.
- 1 Installez la tête de dosage sur le support de tête de dosage du flacon.
 - 2 Débranchez le tube d'air en appuyant sur la bague (1) et en retirant simultanément le tube (2).
 - 3 Pour sceller le flacon, insérez la broche fournie avec le kit QLL (3) dans le connecteur du tube d'air.
 - 4 Prenez le nouveau flacon.
 - 5 Raccordez le tube d'air au nouveau flacon.
 - 6 Pour continuer le dosage avec le nouveau flacon, installez la tête de dosage.



5.1.5 Utilisation de la pompe QL3

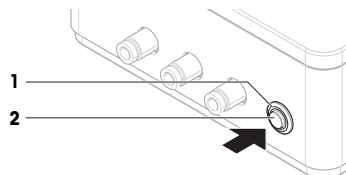
Indicateur de pression

Le voyant indiquant la pression affiche l'état de la pompe :

- Voyant allumé : la pression augmente ou la pression est définie
- Voyant éteint : il n'y a pas de pression et aucune pression ne se forme
- Voyant clignotant : défaillance de la pompe ou avertissement

Libération de la pression

- Le voyant indiquant la pression (1) est allumé.
- Appuyez sur le bouton de décompression (2) pour relâcher la pression.
- ➔ Le voyant d'état (1) s'éteint lorsque la pression est relâchée.



Purge de la pompe

Si des flacons contenant des liquides incompatibles (et dont les vapeurs ne doivent pas se mélanger) sont connectés à la pompe les uns après les autres, il est recommandé de purger la pompe avant de connecter le deuxième flacon à la pompe.

- Une tête de dosage est fixée au module de dosage ou au module pour liquides. Le flacon de cette tête de dosage n'est connecté à aucune pompe.
 - Une méthode **Dosage automatique** ou **Prép. solution automatique** est en cours d'exécution sur le terminal.
- 1 Débranchez tous les adaptateurs de tube de la pompe.
 - 2 Raccordez un adaptateur de tube vide à la sortie d'air située à l'extrême droite, à l'avant de la pompe.
 - ➔ La pompe essaie d'augmenter la pression et l'air circule dans la cavité de la pompe, en la purgeant.
 - ➔ La cavité de la pompe a été purgée et les flacons peuvent être reconnectés en toute sécurité aux sorties d'air.

5.2 Utilisation d'autres méthodes de pesage

Pour utiliser d'autres méthodes avec la balance, déplacez le module pour liquides dans sa position la plus haute.



Pour plus d'informations, consultez le manuel de référence (MR) de votre balance XPR.

► www.mt.com/XPR-analytical-RM

6 Maintenance

La fréquence des opérations de maintenance la plus adaptée dépend de votre mode opératoire normalisé (SOP).

Renseignez-vous auprès de votre représentant METTLER TOLEDO pour obtenir des informations sur les différentes options de maintenance disponibles. Un entretien régulier assuré par un technicien de maintenance agréé permet de garantir une précision constante pendant les années à venir et de prolonger la durée de vie de votre instrument.

6.1 Nettoyage



AVIS

Dommmages causés à l'instrument par l'utilisation de méthodes de nettoyage inappropriées

L'infiltration de liquide dans le boîtier peut endommager l'instrument. La surface de l'instrument peut être endommagée par certains produits de nettoyage, solvants ou abrasifs.

- 1 Ne pas pulvériser ni verser de liquide sur l'instrument.
- 2 Utiliser uniquement les produits de nettoyage indiqués dans le manuel de référence (MR) de l'instrument ou le guide "8 Steps to a Clean Balance".
- 3 Utiliser uniquement un chiffon légèrement humide et non pelucheux ou du papier absorbant pour nettoyer l'instrument.
- 4 Essuyez immédiatement toute trace de liquide.



Pour plus d'informations sur le nettoyage d'une balance, se reporter à "8 Steps to a Clean Balance".

► www.mt.com/lab-cleaning-guide



Vous trouverez des informations détaillées sur la compatibilité des détergents dans le manuel de référence (MR) de votre balance XPR.

► www.mt.com/XPR-analytical-RM

6.1.1 Nettoyage du boîtier

Le matériau du boîtier du module pour liquides est identique à celui de la balance. Toutes les surfaces peuvent donc être nettoyées avec un produit de nettoyage doux disponible dans le commerce.

6.1.2 Nettoyage de la cage de pesée

La procédure de nettoyage est la même que pour la balance. Reportez-vous au manuel de référence de la balance pour plus de détails.

6.1.3 Nettoyage des éléments de dosage de liquide

Nettoyage du filtre d'aspiration

- 1 **Une fois par semaine**, regardez si le filtre d'aspiration est toujours propre. Si nécessaire, rincez le filtre d'aspiration avec un solvant en utilisant la fonction **Purge** sur le terminal ou remplacez le filtre d'aspiration.
- 2 Changez le filtre d'aspiration **au moins une fois par an**. La fréquence des opérations de maintenance dépend du liquide utilisé.

Purge de la tête de dosage pour liquides

La tête de dosage pour liquides peut être rincée/purgée. Pour ce faire, faites circuler une grande quantité de solvant (ou un autre liquide) au travers de celle-ci. Utilisez la fonction **Purge**. Reportez-vous au manuel de référence de la balance XPR.

- Le flacon est rempli d'une quantité de solvant suffisante pour purger la tête de dosage.
- Un grand contenant est placé sur le plateau de pesage pour recueillir le solvant utilisé pour purger la tête de dosage.
- La tête de dosage pour liquides est installée sur le module de dosage ou le module pour liquides.
- Utilisez la fonction **Purge** sur le terminal pour rincer la tête de dosage.

Nettoyage de la vanne de microdosage

Les têtes de dosage pour liquides QL001 sont équipées d'une vanne de microdosage qui peut être démontée et nettoyée, par exemple, dans un bain à ultrasons.

Remarque

La tête de dosage QL003 ne contient pas de vanne de microdosage. Le nettoyage de cette tête de dosage à l'aide de la fonction **Purge** est suffisant (voir ci-dessus).

- La tête de dosage pour liquides est installée sur le module de dosage ou le module pour liquides.
- Un contenant est placé sur le plateau de pesage, suffisamment grand pour contenir la quantité de liquide dans le tube pour liquides.
- La pression est relâchée.

1 ⚠ **ATTENTION: Blessures causées par des projections de liquide. Assurez-vous que la pression dans le flacon est relâchée.**

Videz le tube pour liquides en remplaçant le flacon par un flacon vide et en utilisant la fonction **Purge**.

⇒ Le tube pour liquides est vide.

2 Libérez la pression.

3 ⚠ **ATTENTION: Blessures causées par des projections de liquide. Assurez-vous que la pression dans le flacon est relâchée.**

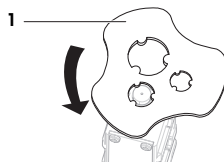
Retirez la tête de dosage du module de dosage ou du module pour liquides.

4 ⚠ **AVERTISSEMENT: Blessures ou contamination par des substances dangereuses. Faites attention aux liquides s'écoulant du tube et de la vanne.**

Ouvrez la tête de dosage avec l'outil pour vanne de microdosage (1), le cas échéant.

5 Sortez la vanne de microdosage et nettoyez-la, par exemple dans un bain à ultrasons.

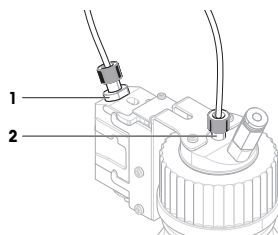
6 Après le nettoyage, réinstallez la vanne de microdosage et remplissez/remplacez le flacon.



6.2 Remplacement de la bague d'étanchéité et de l'écrou de fixation sur le tube pour liquides

Retrait de la bague d'étanchéité et de l'écrou de fixation

En cas de fuite de liquide par l'écrou de la tête de dosage, remplacez la bague d'étanchéité et l'écrou de fixation (1). Si aucune pression ne peut se former dans le flacon, remplacez la bague d'étanchéité et l'écrou de fixation au niveau du bouchon du flacon (2).



- La pression est relâchée.

1 **⚠ ATTENTION: Blessures causées par des projections de liquide. Assurez-vous que la pression dans le flacon est relâchée.**

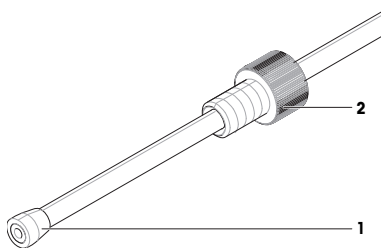
Dévissez l'écrou de fixation de la tête de dosage ou du bouchon du flacon.

2 Pour accéder à la bague d'étanchéité (1), faites glisser l'écrou de fixation (2) vers l'arrière.

3 Si vous remplacez l'écrou et la bague du bouchon du flacon, retirez le filtre d'aspiration et faites glisser la bague d'étanchéité jusqu'à l'extrémité flacon du tube.

4 À l'aide d'un coupe-tube ou d'un couteau aiguisé, découpez le tube au-dessus de la bague d'étanchéité (1).

5 Retirez l'écrou de fixation.



Reconnexion du tube pour liquides

Insérez la nouvelle bague d'étanchéité et le nouvel écrou de fixation et rebranchez le tube pour liquides.

Voir aussi à ce sujet

 Raccordement des tubes ▶ page 12

7 Dépannage



Pour plus d'informations, consultez le manuel de référence (MR) de votre balance XPR.

▶ www.mt.com/XPR-analytical-RM

7.1 Symptômes d'erreur

| Symptôme d'erreur | Cause possible | Diagnostic | Solution |
|---|---|--|--|
| La tête de dosage pour liquides ne distribue aucun liquide. | Le filtre d'aspiration est bouché. | Vérifiez s'il y a du liquide dans le tube pour liquides. | Nettoyez ou remplacez le filtre d'aspiration. |
| | La tête de dosage n'est pas correctement installée. | – | Retirez et réinstallez la tête de dosage dans le support. Assurez-vous d'appuyer jusqu'à ce que vous entendiez un clic. |
| Du liquide fuit du bouchon du flacon ou de la tête de dosage. | Le tube n'est pas correctement raccordé. | – | Serrez l'écrou de fixation du bouchon du flacon ou de la tête de dosage. Vérifiez que l'extrémité du tube est coupée droite. |
| | La bague d'étanchéité ou l'écrou de fixation est endommagé. | – | Remplacez la bague d'étanchéité et l'écrou de fixation du bouchon du flacon ou de la tête de dosage. Voir la section "Maintenance". Vérifiez que l'extrémité du tube est coupée droite. |
| Le liquide s'écoule de la tête de dosage pour liquides QL003. | Des impuretés ont pénétré dans la tête de dosage pour liquides QL003. | – | Utilisez la fonction Purge pendant au moins 10 secondes pour rincer |

| Symptôme d'erreur | Cause possible | Diagnostic | Solution |
|--|--|---|--|
| | | | la tête de dosage. Vérifiez si la tête de dosage fuit encore. Répétez si nécessaire. Si la tête de dosage ne peut pas être nettoyée correctement, remplacez-la. |
| Le voyant d'état de la pompe ne clignote pas lorsque l'appareil est raccordé à l'alimentation. | La pompe n'est pas raccordée à l'alimentation. | Débranchez et rebranchez l'adaptateur secteur de la pompe. Le voyant doit clignoter une fois que l'appareil est branché à l'alimentation. Vérifiez que l'adaptateur secteur et le câble d'alimentation ne sont pas endommagés. | Remplacez l'adaptateur secteur et le câble d'alimentation. |
| | La pompe est endommagée. | Si possible, essayez avec une autre pompe. | Remplacez la pompe. Contactez votre représentant METTLER TOLEDO. |
| À l'écran, la pompe QL3 n'apparaît pas dans la liste des appareils connectés à la balance. | La pompe n'est pas raccordée à l'alimentation. | Débranchez et rebranchez l'adaptateur secteur de la pompe. Le voyant doit clignoter une fois que l'appareil est branché à l'alimentation. Vérifiez que l'adaptateur secteur et le câble d'alimentation ne sont pas endommagés. | Remplacez l'adaptateur secteur et le câble d'alimentation. |
| | Le câble USB n'est pas correctement branché. | Vérifiez que le câble USB est correctement branché. | Branchez correctement le câble USB. |
| | Le câble USB est endommagé. | Vérifiez que le câble USB n'est pas endommagé. | Remplacez le câble USB. |
| | Le port USB-A de la balance est endommagé. | Débranchez la pompe du port USB-A de la balance. Branchez une souris USB sur le même port USB-A. Vérifiez qu'un pointeur (flèche) apparaît sur le terminal et peut être déplacé en déplaçant la souris. | Si le pointeur de la souris n'apparaît pas, contactez votre représentant METTLER TOLEDO. |
| | La pompe est endommagée. | Si possible, essayez avec une autre pompe. | Remplacez la pompe. Contactez votre représentant METTLER TOLEDO. |

8 Caractéristiques techniques



Reportez-vous au manuel de référence (MR) de votre balance ou de votre module de dosage pour plus d'informations. Les manuels sont disponibles en ligne ou auprès de votre représentant METTLER TOLEDO.

8.1 Données générales

| | |
|---------------------------|------------------------|
| Poids (sans emballage) : | 470 g |
| Consommation électrique : | 12 V CC \pm 6 %, 1 A |

Protection et normes

| | |
|---------------------------|--|
| Catégorie de surtension : | II |
| Degré de pollution : | 2 |
| Gamme d'applications : | Utilisez uniquement le dispositif à l'intérieur, dans un endroit sec |

Conditions environnementales

| | |
|--|--|
| Altitude au-dessus du niveau moyen de la mer : | Jusqu'à 5 000 m |
| Température ambiante : | +5 – +40 °C |
| Humidité relative de l'air : | 20 % à max. 80 % à 31 °C, décroissante de manière linéaire jusqu'à 50 % à 40 °C, sans condensation |

Conditions de stockage (dans l'emballage)

| | |
|------------------------------|------------------------------|
| Température ambiante : | -25 – +70 °C |
| Humidité relative de l'air : | 10 – 90 %, sans condensation |

9 Mise au rebut

Conformément à la directive européenne 2012/19/CE relative à la mise au rebut des équipements électriques et électroniques (WEEE), ce dispositif ne doit pas être jeté avec les déchets ménagers. Logiquement, ceci est aussi valable pour les pays en dehors de l'UE conformément aux réglementations nationales en vigueur.



Veillez éliminer cet appareil conformément aux prescriptions locales dans un conteneur séparé pour appareils électriques et électroniques. Pour toute question, adressez-vous aux autorités compétentes ou au revendeur chez qui vous avez acheté cet appareil. En cas de transmission de ce dispositif à des tiers, le contenu de cette réglementation doit également être joint.

目录

| | | |
|----------|-----------------------|-----------|
| 1 | 简介 | 3 |
| 1.1 | 更多文档和信息 | 3 |
| 1.2 | 所用约定与符号说明 | 3 |
| 1.3 | 缩略语 | 4 |
| 1.4 | 合规性信息 | 4 |
| 2 | 安全须知 | 4 |
| 2.1 | 警示语与警告标志的定义 | 5 |
| 2.2 | 产品安全说明 | 5 |
| 3 | 设计和功能 | 8 |
| 3.1 | 功能说明 | 8 |
| 3.2 | 概述 | 8 |
| 3.3 | 组件说明 | 8 |
| 3.4 | 加样头RFID标签 | 10 |
| 4 | 安装与运行 | 10 |
| 4.1 | 交货清单 | 10 |
| 4.2 | 选择位置 | 10 |
| 4.3 | 设置液体加样系统 | 11 |
| 4.3.1 | 泵接口 | 11 |
| 4.3.2 | 连接泵 | 11 |
| 4.3.3 | 连接管子 | 11 |
| 5 | 操作 | 16 |
| 5.1 | 液体加样 | 16 |
| 5.1.1 | 安装和拆除液体加样头 | 16 |
| 5.1.2 | 调整加样高度 | 16 |
| 5.1.3 | 将加样头连接到瓶盖 | 17 |
| 5.1.4 | 处理瓶子 | 17 |
| 5.1.5 | 使用 QL3 泵 | 18 |
| 5.2 | 使用其他称量方法 | 19 |
| 6 | 维护 | 19 |
| 6.1 | 清洁 | 19 |
| 6.1.1 | 清洁外壳 | 20 |
| 6.1.2 | 清洁称量室 | 20 |
| 6.1.3 | 清洁液体加样部件 | 20 |
| 6.2 | 更换液体管上的密封圈和紧固螺母 | 21 |
| 7 | 故障排除 | 21 |
| 7.1 | 出错现象 | 22 |
| 8 | 技术资料 | 23 |
| 8.1 | 通用数据 | 23 |
| 9 | 处置 | 23 |

1 简介

1.1 更多文档和信息

公司网站提供本文档的其他语言版本。

▶ www.mt.com/XPR-automatic

搜索软件

▶ www.mt.com/labweighing-software-download

搜索文档


▶ www.mt.com/library

如有更多疑问，请与您的授权 METTLER TOLEDO 经销商或服务代表联系。

▶ www.mt.com/contact

1.2 所用约定与符号说明

约定和符号

按键和/或按钮名称和显示文本以图形或者加粗文本形式表示（例如：、**编辑**。

信息

用于关于产品的有用信息。

请参阅外部文档。



说明书元素

在本手册中，分步说明如下所示。操作步骤已编号，可包含先决条件、中间结果和结果，如示例中所示。少于两个步骤的序列不编号。

■ 先决条件是指执行单个步骤之前必须满足的条件。

1 步骤 1

➔ 中间结果

2 步骤 2

➔ 结果

1.3 缩略语

| 原文 | 译文 | 说明 |
|------|----|--|
| EMC | | Electromagnetic Compatibility (电磁兼容) |
| FCC | | Federal Communications Commission (美国联邦通讯委员会) |
| LPS | | Limited Power Source (限功率电源) |
| POM | | Polyoxymethylene |
| RFID | | Radio-frequency identification (射频识别) |
| RM | | Reference Manual (参考手册) |
| sd | | Standard deviation |
| SELV | | Safety Extra Low Voltage (额定安全低电压) |
| SOP | | Standard Operating Procedure (标准操作程序) |
| UM | | User Manual (简明用户手册) |
| USB | | Universal Serial Bus |

1.4 合规性信息

国家审批文档，例如FCC供应商一致性声明，可在线获取和/或包含在包装中。

► <http://www.mt.com/ComplianceSearch>



有关完整信息，请查阅《参考手册（RM）》。

► www.mt.com/QLX3-RM

2 安全须知

本仪器随附《用户手册》和《参考手册》两个文档。

- 《用户手册》随本仪器打印并交付。
- 电子版《参考手册》包含本仪器及其使用的全面描述。
- 请妥善保管上述两份手册，以供将来参考。
- 将本仪器传递给其他方时应附上两个文档。

必须按照《用户手册》和《参考手册》使用本仪器。如果不按照这些文档说明使用本仪器，或者如果本仪器已改动，那么仪器的安全性就有可能受到损坏，Mettler-Toledo GmbH 我们对此将不承担任何责任。

2.1 警示语与警告标志的定义

安全说明中包含关于安全问题的重要信息。忽视安全说明有可能造成人员受伤、仪器损坏、故障与结果错误。安全说明标注有下列警示语与警告标志：

警示语

| | |
|-----------|--|
| 危险 | 存在高风险的危险情况，如不加以避免，则会导致死亡或严重伤害。 |
| 警告 | 中等风险性危险情况，如不加以避免，可能会造成死亡或严重伤害。 |
| 小心 | 风险性较低的危险情况，如不规避会造成轻微或中度受伤。 |
| 注意 | 存在低风险的危险情况，有可能损坏仪器和导致其他实质性损坏、故障、错误结果或数据丢失。 |

警告标志



一般风险



注意

2.2 产品安全说明

目标用途

本加样系统适用于受过培训的人员在分析实验室内使用。本加样系统用于对粉末或液体样品称量和加样。

未经 Mettler-Toledo GmbH 许可，超过 Mettler-Toledo GmbH 规定限制的任何其他类型的使用和操作均视为非目标用途。

仪器所有者的责任

仪器所有者指对仪器具有合法所有权、使用仪器或授权任何人使用仪器，或者在法律上认定为仪器操作人员的个人。仪器所有者负责仪器所有使用者与第三方的安全。

Mettler-Toledo GmbH 假定仪器所有者对用户进行培训，使其了解如何在工作场所安全使用仪器和处理潜在危险。Mettler-Toledo GmbH 假定仪器所有者提供必要的防护装备。

防护装备



耐化学品手套



护目镜



实验室工作袍



警告

触电会造成重伤或死亡

接触带电零件有可能造成伤亡。

- 1 仅使用仪器专用METTLER TOLEDO电源线和交流/直流适配器。
- 2 将电源线连接至接地电源插座。
- 3 将所有电缆与接头放置在远离液体和潮湿的地方。
- 4 检查电缆与电源插头有无损坏，如有损坏请更换。



警告

有害物质造成的伤害和/或损害

化学、生物或放射性危害可能与仪器处理的物质有关。在加样过程中，少量加样物质可能会在空气中传播，并渗入仪器或污染其周围环境。

仪器所有者负责注意物质的特性和相关危害。

- 1 注意与该物质相关的潜在危险，并采取适当的安全措施，例如，制造商提供的安全数据表中所述的措施。
- 2 确保与物质接触的每一个仪器部件都不会被物质改变或损坏。



警告

处理粉末时造成伤害和/或损害

粉末可能会在加样头处被压实，并将其堵塞。对加样头装置施加太大的力可能会损坏仪器，潜在的危险物质可能会传播到空气中。

- 1 小心操作加样头。
- 2 如果加样头看起来堵塞了，不要继续加样。从仪器上取下加样头部并将其倒置，让粉末散开。
- 3 如果发生泄漏或破裂，请立即停止工作。



警告

因反应、易燃或易爆物质造成伤害和/或损坏

在加样过程中，物质可能会发生结合并引起发热反应或爆炸。这个物质包括粉末、液体和气体。

仪器所有者负责注意样品的特性和相关危害。

- 1 注意与反应、易燃或易爆物质有关的潜在危险。
- 2 应确保较低的工作温度以防止引起火灾或爆炸。



警告

有毒、爆炸性或易燃物质会造成人身伤亡

如将泵用于有毒、易爆或易燃液体，排出的空气将受到污染。

- 将管子连接至排气口，以便将被污染的空气收集起来。

**警告****因反应物质造成的伤害和/或损坏**

释放瓶子压力时，瓶中的空气/气体将向泵处返回。从连接出口排出的空气/气体将在泵中混合。不同瓶子中的物质分子可以通过这种受污染的空气/气体相互接触。

- 1 请勿将装有不相容液体的不同瓶子同时连接至同一个泵。
- 2 将下一种不相容的液体连接至泵之前，请断开上一个瓶子，并用干净的空气/气体吹扫泵腔。

**警告****高压会造成人身伤害并损坏泵或瓶子**

外部气体的高压会损坏泵或瓶子。

- 1 在外部气体管路上使用调压器。
- 2 确保外部气体的气压不超过0.5 bar (7.2psi)。

**小心****液体溅出造成的伤害**

如果未释放瓶中的压力，那么当移走微量加样阀、打开瓶子或取下液体管时，液体可能会溅出。

- 在移走微量加样阀、打开瓶子或取下液体管之前，务必释放压力。

**小心****液体泄露造成的伤害**

管子切割不当有可能造成连接泄漏。

- 使用截管器或锋利的小刀切割管子。

**小心****可动件造成的伤害**

- 当仪器的部件在移动时，请勿将手伸入工作区域！

**小心****尖锐物体或破碎的玻璃造成伤害**

仪器部件（例如，玻璃）会破裂并导致受伤。

- 务必集中精力并小心操作。

**注意****因使用不合适的部件而损坏仪器或发生故障**

- 仅可使用METTLER TOLEDO提供的专用于您的仪器的部件。



注意

存在损坏仪器的风险

此仪器不包含任何可以由用户来维护，修理或者更换的部件。

- 1 请勿打开仪器。
- 2 倘若有任何问题，请与METTLER TOLEDO代表联系。



注意

因清洗方法不正确而损坏仪器

如果液体进入外壳，则有可能损坏仪器。某些清洗剂、溶剂或研磨剂可能会损坏仪器表面。

- 1 请勿向仪器喷洒或倾倒液体。
- 2 仅使用仪器参考手册（RM）或指南“8 Steps to a Clean Balance”中指定的清洁剂。
- 3 务必使用略微湿润的无绒布或纸巾清洁仪器。
- 4 立即拭去任何溅出物。

3 设计和功能

3.1 功能说明

可在XPR分析天平上添加**QLX3液体模块**来进行自动液体加样。液体加样头与液体模块连接，并置于称量室内部。液体模块的垂直位置可手动进行调整。**QL3泵模块**和**QLL液体套件**完善了该系统。**QL3泵模块**用于在瓶中制造压力。当压力足够高时，液体加样头内的微量分液阀将打开，管内液体会上升。可同时将多个泵连接到天平，每个泵最多可容纳三个瓶（QLL套件）。

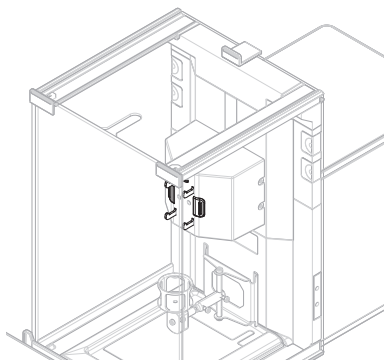
3.2 概述

请参阅本手册开头部分的“Overview”（图形和图例）部分。

3.3 组件说明

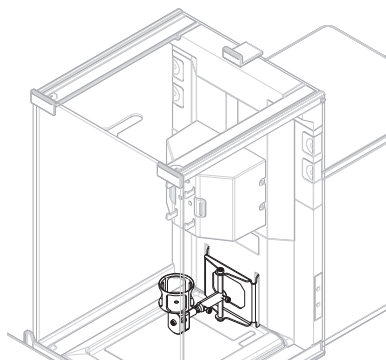
加样头支架

加样头支架用于固定液体加样头。可通过按支架任一侧的释放按钮之一来松开加样头。



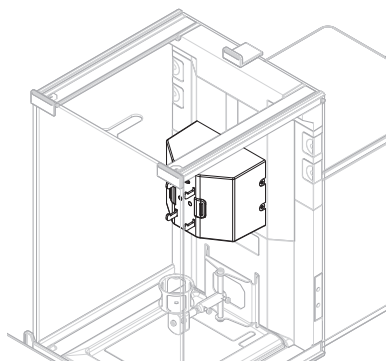
ErgoClip小瓶

ErgoClip小瓶与小瓶适配器一起使用，确保以最佳方式放置小瓶。这些适配器适用于各种直径和高度的小瓶。请参阅配件。



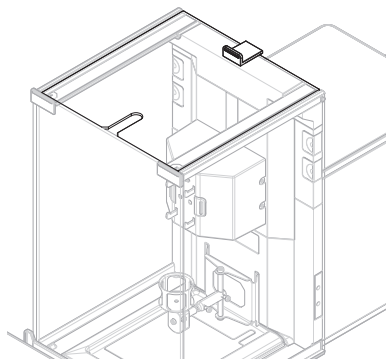
液体模块

液体模块用于连接液体加样头。可以手动上下移动它来调整样品容器与微量加样头之间的距离。



顶门液体模块

液体模块附带有顶门，其中有一条狭缝，液体管可通过该狭缝进入称量室内部。此门与天平的标准顶门安装在同一栏杆上，可手动或自动开关。

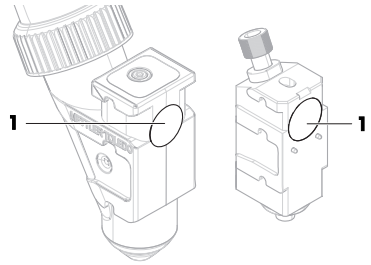


3.4 加样头RFID标签

每个粉末和液体加样头均配有一个集成式RFID标签(1)，其中存储有数据并与仪器交换数据。

各种数据均存储在加样头的RFID标签中，比如物质名称、批号、填充日期、过期日期等。此外，还包括自定义的数据字段。

可在终端上编辑这些数据，且应在首次使用新加样头之前进行设置，以便为报告和标签提供可用数据。



4 安装与运行

该仪器必须由METTLER TOLEDO服务技术人员进行安装。

QLX3液体模块与配有高风罩的所有XPR分析天平兼容。

4.1 交货清单

QLX3液体模块

- QLX3液体模块
- 顶门液体模块
- ErgoClip/小瓶
- 各种小瓶适配器，4件
- 一致性声明
- 用户手册

QL3压力泵和QLL液体套件的交货清单在这些产品的附带文档中列出。

4.2 选择位置

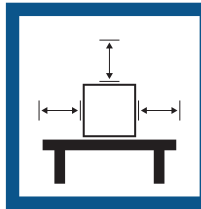
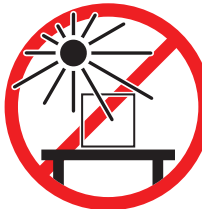
天平是灵敏的精密仪器。它所处的位置将对称重结果的准确性产生重要影响。

位置要求

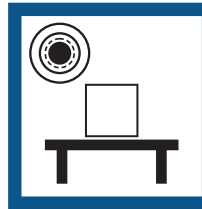
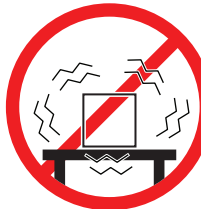
放在室内稳定的工作台上 确保足够的空间 将仪器调平 提供充足照明



避免阳光直射



避免震动



无强烈气流



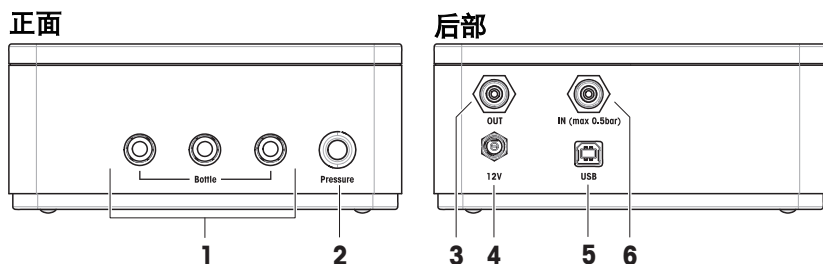
避免温度波动



为天平留有足够的空间：与周围的仪器至少相距15 cm
考虑环境条件。请参阅"技术参数"。

4.3 设置液体加样系统

4.3.1 泵接口



| | | | |
|---|------------|---|---------------|
| 1 | 排气口（与瓶连接） | 4 | 交流/直流适配器插槽 |
| 2 | 压力释放按钮和指示灯 | 5 | USB B型接口（至主机） |
| 3 | 排气口 | 6 | 进气口 |

4.3.2 连接泵

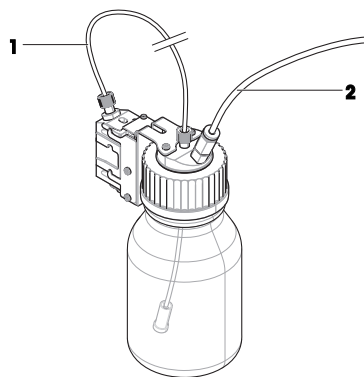
- 1 以这种方式安装电缆，确保其不会受损或干扰操作。
- 2 将交流/直流适配器插头插到泵电源口中。
- 3 用力拧紧螺母，紧固插头。
- 4 将电源插头插入接地电源插座中。
- 5 使用USB电缆将泵的USB-B型端口连接到天平的USB-A型端口之一。

4.3.3 连接管子

管路定义

液体管是稍细的管子（1），用于将液体从瓶子输送到液体加样头。空气管是稍大的管子（2），用于将空气泵入瓶内。通过空气管添加空气后，瓶内压力上升。当压力到达0.3至0.5 bar（4.4 至 7.2 psi）之间的目标压力时，液体加样头内的微量分液阀将打开，管道内液体会上升。

- 1 液体管



2 空气管

准备液体管



⚠ 小心

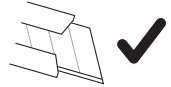
液体泄露造成的伤害

管子切割不当有可能造成连接泄漏。

- 使用截管器或锋利的小刀切割管子。

- 将液体加样头插入到瓶子的液体加样头支架中。

- 1 使用截管器或锋利的刀裁切足够长度的管子。适合的长度主要取决于加样时天平与瓶子之间的距离。
推荐的长度：约0.9 m



- 2 **注意：组装错误会导致液体泄漏。将密封圈套到管子上时，注意密封圈的方向。**

将密封圈（1）更宽的一端朝下置于稳定平坦的表面上，例如，桌子或工作台上。

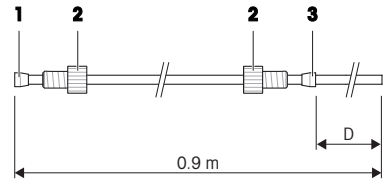
- 3 抓住液体管的末端，将其压入密封圈。

► 这是液体管加样头的一端。另一端是瓶端。

- 4 在管子上套上两个紧固螺母（2），注意方向。

- 5 **注意：组装错误会导致液体泄漏。将密封圈套到管子上时，注意密封圈的方向。**
从管子的瓶端套上密封圈（3）。

- 6 滑动密封圈，直到距离（D）足以让管子触到瓶底。对于典型瓶体容量，建议的距离在下面列出。



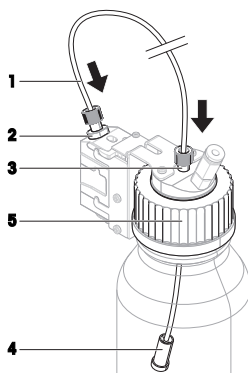
密封圈与管子瓶端之间的典型距离（D）

| 螺纹 | 瓶体容量 | 距离（D） |
|------|---------|--------|
| GL45 | 1000 ml | 220 mm |
| | 500 ml | 170 mm |
| | 250 ml | 135 mm |
| GL25 | 25 ml | 90 mm |

连接液体管

- 1 将管子（1）的加样头端插入加样头（2）中。
- 2 将紧固螺母紧固到加样头上。
- 3 将管子的瓶端通过对应孔插入瓶盖（3）中。管应该插入至瓶子的底部。
- 4 如果需要，在管子瓶端连接吸滤器（4）。
- 5 将紧固螺母紧固到瓶盖上。
- 6 拧紧瓶盖（5）。

吸滤器用于确保颗粒或杂质不会通过而进入液体加样头。使用吸滤器可延长加样头的使用寿命。但是，添加溶液样品时，某种物质的分子可能会被吸滤器吸收，从而改变溶液浓度。仅当添加纯溶液样品时才能使用吸滤器。



连接空气管



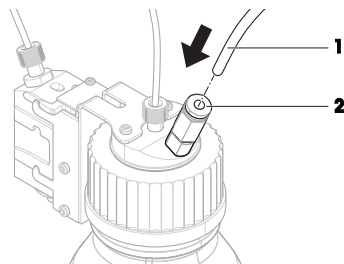
警告

因反应物质造成的伤害和/或损坏

释放瓶子压力时，瓶中的空气/气体将向泵处返回。从连接出口排出的空气/气体将在泵中混合。不同瓶子中的物质分子可以通过这种受污染的空气/气体相互接触。

- 1 请勿将装有不相容液体的不同瓶子同时连接至同一个泵。
- 2 将下一种不相容的液体连接至泵之前，请断开上一个瓶子，并用干净的空气/气体吹扫泵腔。

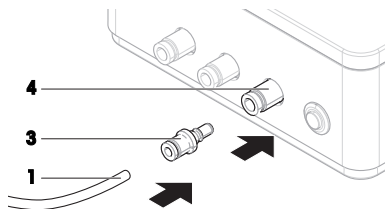
- 1 使用截管器或锋利的刀裁切足够长度的管子。适合的长度主要取决于加样时瓶子与泵之间的距离。
推荐的长度：约0.7米
- 2 将空气管（1）连接到瓶子的进气口（2）



- 3 将空气管（1）的另一端插入到管子适配器（3）中并按紧。
- 4 将管子适配器（3）连接到泵的排气口（4）之一。
按下直到听到咔嚓声。

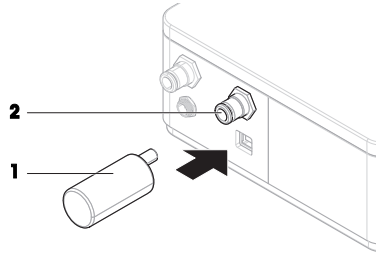
当管子连接到泵的排气口时，排气口的阀门打开。如果连接到排气口的管子的另一端未连接，将无法产生压力，因此，务必保持两端都已连接。

每个泵最多可连接3个瓶子。



连接消声器

- 将消声器 (1) 插入进气口 (2) 以减小噪音。



拆除空气管



注意

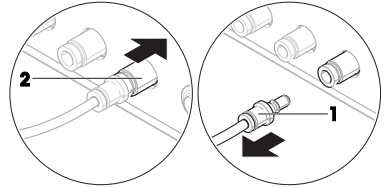
因错误操作而损坏管接头

如果未正确拆除管子，则有可能损坏泵接头和瓶盖。

- 要拆除管子，请按下接头上的环并小心拉出管子。

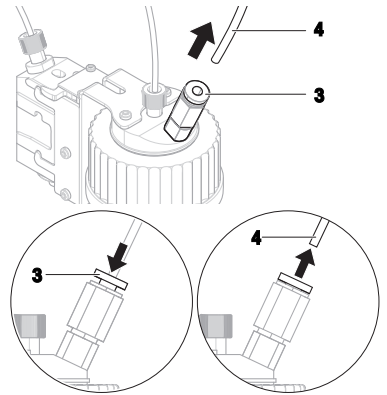
- 1 将排气口的接头 (2) 向泵方向推动以从泵上拆除管子适配器 (1)。

➔ 适配器将松开，可以移除。



- 2 用力按压环 (3) 同时拉动管子 (4)，可从瓶子上拆下空气管。

- 3 如果需要，比如，为了维护，可按照同一过程从管子适配器上拆除空气管：用力按压环同时拉动管子。



使用带有外部气体的泵

可以通过向泵供给外部气体（例如氮气）来保护液体。确保外部气体的气压不超过 0.5 bar (7.2 psi)。



警告

高压会造成人身伤害并损坏泵或瓶子

外部气体的高压会损坏泵或瓶子。

- 1 在外部气体管路上使用调压器。
- 2 确保外部气体的气压不超过0.5 bar (7.2psi)。

- 外部气体管路上连接有调压器。

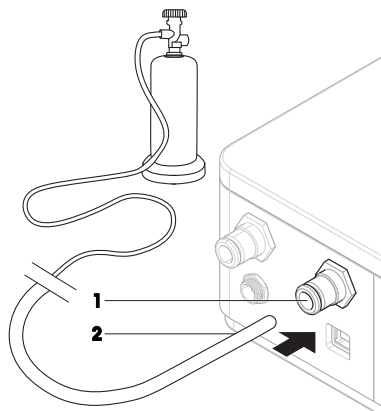
- 1 从进气口 (1) 上拆除消声器。
- 2 将外部气体管 (2) 连接到进气口 (1)。

信息

管子外径: 6mm

外部气体管路中的压力: 该压力必须至少为 0.1 bar (1.5 psi)。该压力不得超过在终端上配置的加样压力组。

METTLER TOLEDO不提供外部气体管。



收集废气



警告

有毒、爆炸性或易燃物质会造成人身伤亡

如将泵用于有毒、易爆或易燃液体，排出的空气将受到污染。

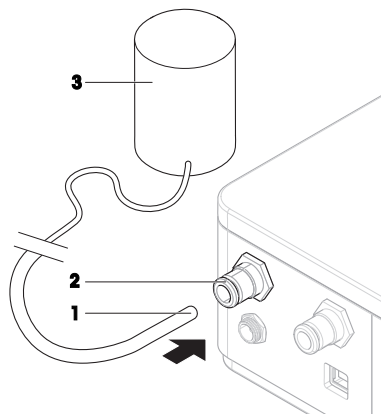
- 将管子连接至排气口，以便将被污染的空气收集起来。

- 用一根管子 (1) 连接至排气口 (2) 以便将被污染的空气收集到安全容器 (3) 中。

信息

管子外径: 6mm

METTLER TOLEDO不提供排气管和容器。



5 操作

5.1 液体加样



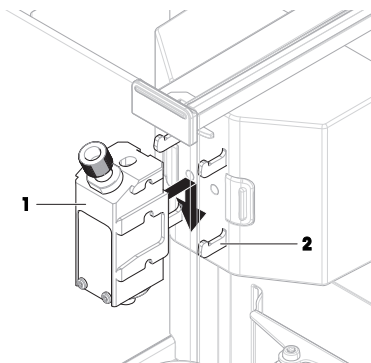
有关更多信息，请参阅XPR天平的参考手册（RM）。

► www.mt.com/XPR-analytical-RM

5.1.1 安装和拆除液体加样头

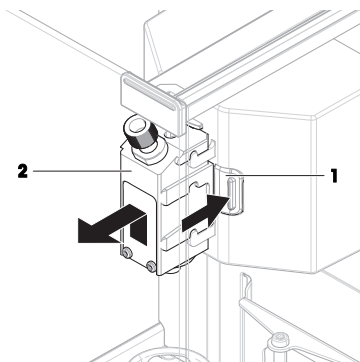
安装加样头

- 1 将加样头（1）滑动到加样头支架（2）上直到卡紧。
- 2 轻按加样头，直到正确落入加样头支架（2）中。
 - 加样头锁定在支架中。
- 3 将液体管穿过顶门中的窄口。
 - 加样头已经准备好进行加样。



拆除加样头

- 1 按加样头支架一侧的释放按钮（1）以松开加样头（2）。
- 2 同时向上向外拉加样头（2）。

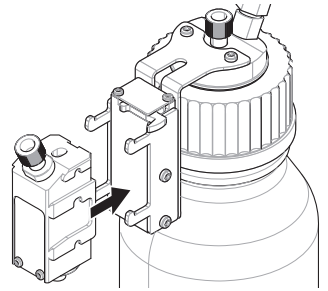


5.1.2 调整加样高度

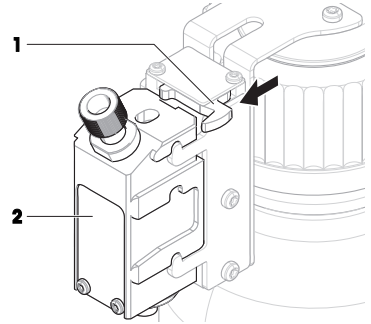
液体模块的垂直位置通过沿轨道手动上下移动来进行调整。

5.1.3 将加样头连接到瓶盖

- 1 将液体加样头插入到固定支架中。



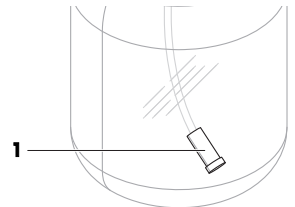
- 2 从固定支架上取下液体加样头，将手柄（1）拉向加样头，取下液体加样头（2）。



5.1.4 处理瓶子

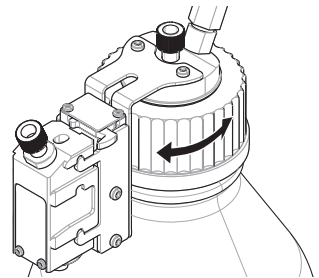
装瓶

吸滤器（1）必须始终含有液体。吸滤器变干前，请重新装瓶。



- 压力已被释放。

- 1 **⚠ 小心：当心液体溅出造成人身伤害。确保瓶中压力已被释放。**
拧开瓶盖。
- 2 填充液体。请勿超过最大值（最大值在瓶子上标出，比如1000 ml）。加样时液体上方必须要有空气。
- 3 拧紧瓶盖。



更换瓶中物质

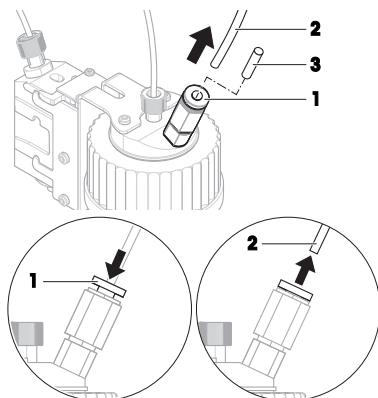
如果您只有一个带加样头的瓶盖，并且希望更换要进行加样的液体，请按此过程操作。

- 压力已被释放。
- 1 **⚠ 小心: 当心液体溅出造成人身伤害。确保瓶中压力已被释放。**
拧开瓶盖。
- 2 拆除吸滤器（如果适用）。
- 3 如果需要清洁瓶盖，请拆除空气管。
拧下瓶盖上的紧固螺母。
使用合适的溶剂或液体清洗瓶盖。
将液体管插入瓶盖中。
- 4 如果液体管需要用溶剂清洗，请将适当的溶剂灌入瓶内。
将瓶盖拧紧。
将空气管插入瓶盖。
在终端上使用吹扫功能进行吹扫。
拧开瓶盖。
处置剩余的溶剂。
- 5 安装新的吸滤器（如果适用）。
- 6 将装有新液体的瓶子上的盖子拧紧。
- 7 检查瓶盖是否拧紧。
- 8 将空气管连接至新瓶。
- 9 使用吹扫功能进行吹扫。

将空气管连接到不同瓶子

如果有多个配有瓶盖和加样头的瓶子，且希望使用同一泵出口和空气管来从另一瓶子中加样：

- 压力已被释放。
- 1 将加样头安装在该瓶子的加样头支架上。
- 2 按压环（1）同时拉出管子（2）来拔出空气管。
- 3 要密封瓶子，将QLL套件（3）附带的插销插入空气管接头中。
- 4 取出新瓶子。
- 5 将空气管连接至新瓶。
- 6 要使用新瓶继续加样，请安装加样头。



5.1.5 使用 QL3 泵

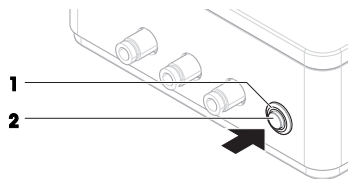
压力指示灯

压力指示灯用于指示出泵的状态：

- 亮：正在增压或积累压力
- 灭：无压力且未在增压
- 闪烁：泵出错和/或警告

释放压力

- 压力指示灯 (1) 亮起。
- 按压力释放按钮 (2) 以释放压力。
- ➔ 当压力释放后, 状态指示灯 (1) 熄灭。



吹扫泵腔

如果将不兼容的液体 (且混入了不应含有的气体) 瓶依次连接到泵, 则建议在将第二个瓶连接到泵时先吹扫泵腔。

- 加样头连接到加样模块或液体模块。此加样头的瓶子未连接到任何泵。
- 终端上正在运行方法 **自动加样** 或 **自动溶液制备**。
 - 1 从泵上断开所有管子适配器。
 - 2 将空的管子适配器连接到泵前部最右的排气口。
 - ➔ 泵将尝试增压, 气流通过泵腔对它进行吹扫。
 - ➔ 泵腔已被冲扫, 可将瓶子安全地重新连接到排气口。

5.2 使用其他称量方法

要对天平使用其他方法, 将液体模块移至其最高位置。



有关更多信息, 请参阅XPR天平的参考手册 (RM)。

► www.mt.com/XPR-analytical-RM

6 维护

适当的维护时间间隔取决于您的标准操作流程 (SOP)。

有关可用服务选项的详细信息, 请联系您的METTLER TOLEDO服务代表。由授权的服务技术人员定期进行维护, 可确保仪器多年准确工作, 并延长其使用寿命。

6.1 清洁



注意

因清洗方法不正确而损坏仪器

如果液体进入外壳, 则有可能损坏仪器。某些清洗剂、溶剂或研磨剂可能会损坏仪器表面。

- 1 请勿向仪器喷洒或倾倒液体。
- 2 仅使用仪器参考手册 (RM) 或指南“8 Steps to a Clean Balance”中指定的清洁剂。
- 3 务必使用略微湿润的无绒布或纸巾清洁仪器。
- 4 立即拭去任何溅出物。



关于清洁天平的更多信息，请参阅“8 Steps to a Clean Balance”。

► www.mt.com/lab-cleaning-guide



有关清洗剂的兼容性的详细信息，请参阅相应XPR天平的参考手册（RM）。

► www.mt.com/XPR-analytical-RM

6.1.1 清洁外壳

液体模块的外壳材料与天平所用材料相同。因此，所有表面都可使用市售的温和清洗剂进行清洁。

6.1.2 清洁称量室

清洁过程与天平的清洁相同。请参阅天平的参考手册了解详细信息。

6.1.3 清洁液体加样部件

清洁吸滤器

- 1 每周一次，目视检查吸滤器是否清洁。如果需要，利用终端上的**吹扫**功能使用溶剂冲洗吸滤器，或者更换吸滤器。
- 2 每年至少更换一次吸滤器。维护间隔取决于使用的液体。

清洗液体加样头

冲洗液体加样头时，可让大量溶剂（或另一种液体）通过整个加样头。使用**吹扫**功能。请参阅XPR天平的参考手册。

- 在瓶子中装了足够的溶剂以冲洗加样头。
- 在秤盘上放置大的样品容器以收集用于冲洗加样头的溶剂。
- 液体加样头安装在加样模块或液体模块上。
- 在终端上使用**吹扫**功能冲洗加样头。

清洁微量加样阀

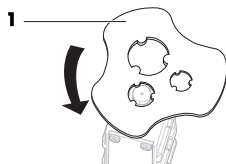
液体加样头QL001配有一个微量加样阀，可拆除并进行清洗，例如，在超声波清洗器中进行清洗。

信息

QL003加样头不包含微量加样阀。使用**吹扫**功能清洗此加样头已足够（如上所述）。

- 液体加样头安装在加样模块或液体模块上。
 - 样品容器置于秤盘上，足够大，用于存放液体管中的液体量。
 - 压力已被释放。
- 1 **⚠ 小心：当心液体溅出造成人身伤害。确保瓶中压力已被释放。**
清空液体管时，用空瓶替换原瓶然后使用**吹扫**功能。
 ➡ 液体管为空。
 - 2 释放压力。
 - 3 **⚠ 小心：当心液体溅出造成人身伤害。确保瓶中压力已被释放。**
从加样模块或液体模块上拆除加样头。

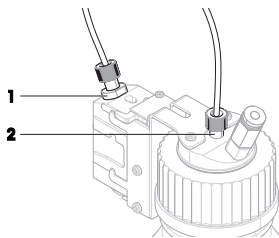
- 4 **⚠ 警告:** 危险物质会导致人身伤害或污染。当心有液体从管子和阀门内排出。
如果适用, 使用微量加样阀工具 (1) 打开加样头。
- 5 取出微量加样阀并进行清洁 (例如在超声波清洗器中清洁)。
- 6 清洁完毕后, 重新安装微量加样阀并补充/更换瓶子。



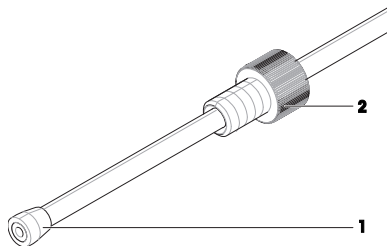
6.2 更换液体管上的密封圈和紧固螺母

拆除密封圈和紧固螺母

如果液体从加样头螺母处漏出, 请更换加样头上的密封圈和紧固螺母 (1)。如果无法在瓶内产生压力, 请更换瓶盖上的密封圈和紧固螺母 (2)。



- 压力已被释放。
- 1 **⚠ 小心:** 当心液体溅出造成人身伤害。确保瓶中压力已被释放。
拧下加样头或瓶盖上的紧固螺母。
 - 2 如果要对密封圈 (1) 进行操作, 请向后滑动紧固螺母 (2)。
 - 3 如果要更换瓶盖上的螺母和密封圈, 取下吸滤器, 并将密封圈一直滑到管的瓶端。
 - 4 使用截管器或锋利的刀在密封圈 (1) 上方切断管子。
 - 5 拆除紧固螺母。



重新连接液体管

插入新的紧固螺母密封圈并重新连接液体管。

可参阅

📖 连接管子 ▶ 第11页

7 故障排除



有关更多信息, 请参阅XPR天平的参考手册 (RM)。

▶ www.mt.com/XPR-analytical-RM

7.1 出错现象

| 错误现象 | 可能原因 | 诊断 | 补救措施 |
|-----------------------------|------------------|--|--|
| 液体加样头未分配任何液体。 | 吸滤器堵塞。 | 检查液体管中是否有液体。 | 清洁或更换吸滤器。 |
| | 未正确安装加样头。 | — | 先拆除，然后重新将加样头安装到支架中。确保按下，直到听到咔嗒声。 |
| 液体从瓶盖和/或加样头上漏出。 | 管子未正确连接。 | — | 拧紧瓶盖和/或加样头上的紧固螺母。 确保管端采用纵向切割。 |
| | 密封圈和/或紧固螺母损坏。 | — | 更换瓶盖和/或加样头上的密封圈和紧固螺母。请参阅“维护”。 确保管端采用纵向切割。 |
| 液体从QL003液体加样头上滴下。 | 杂质已进入QL003液体加样头。 | — | 使用 吹扫 功能冲洗加样头至少10秒钟。检查加样头是否仍在滴液。必要时请重复上述操作。 如果加样头无法正确清洁，请更换。 |
| 当设备连接到电源时，泵的指示灯未闪烁。 | 泵已断开电源。 | 先从泵上断开交流/直流适配器，然后再重新连接。设备连接到电源后指示灯应闪烁一次。 确认交流/直流适配器和电源线未损坏。 | 更换交流/直流适配器和电源线。 |
| | 泵损坏。 | 如果有，请换用另一个泵。 | 更换泵。 联系您的METTLER TOLEDO服务代表。 |
| 在显示屏上，QL3泵未出现在与天平相连的设备的列表中。 | 泵已断开电源。 | 先从泵上断开交流/直流适配器，然后再重新连接。设备连接到电源后指示灯应闪烁一次。 确认交流/直流适配器和电源线未损坏。 | 更换交流/直流适配器和电源线。 |
| | 未正确连接USB电缆。 | 确认USB电缆已经正确连接。 | 正确连接USB电缆。 |
| | USB电缆损坏。 | 确认USB电缆未损坏。 | 更换USB电缆。 |

| 错误现象 | 可能原因 | 诊断 | 补救措施 |
|------|----------------|--|----------------------------------|
| | 天平的USB-A型端口损坏。 | 将泵从天平的USB-A型端口上断开。将USB鼠标连接到同一个USB-A型端口。确认终端上是否出现指针（箭头），移动鼠标时指针也随之移动。 | 如果不出现鼠标指针，请联系METTLER TOLEDO服务代表。 |
| | 泵损坏。 | 如果有，请换用另一个泵。 | 更换泵。 联系您的METTLER TOLEDO服务代表。 |

8 技术资料



有关更多信息，请参阅所用天平或加样模块的参考手册（RM）。手册可从网上下载，也可通过METTLER TOLEDO服务代表获取。

► www.mt.com/XPR-analytical-RM

► www.mt.com/XPR-automatic

8.1 通用数据

重量（不带包装） 470 g
 功耗： 12 V DC ± 6%，1 A

保护与标准

过压类别： II
 污染度： 2
 应用范围： 仅用于室内干燥的地方

环境条件

平均海拔高度： 最高5000 m
 环境温度： +5 – +40 °C
 空气相对湿度： 气温在31 °C时，空气湿度为20%至最大80%，气温达到40 °C时，空气湿度线性下降至50%，无冷凝现象

存储条件（在包装内）

环境温度： -25 – +70 °C
 空气相对湿度： 10–90%，无冷凝现象

9 处置

依照关于电气和电子设备废弃物（WEEE）的欧盟指令2012/19/EU，该设备不得作为生活废弃物进行处置。这也适用于欧盟以外的国家，请按照其具体要求进行处置。



请遵照当地法规，在规定的电气和电子设备收集点处理本产品。如果您有任何疑问，请与主管部门或者您购买本设备的经销商联系。如果将此设备传递给其他方，则本规定的内容也必须相关。

目次

| | | |
|----------|-----------------------------|-----------|
| 1 | はじめに | 3 |
| 1.1 | 追加文書と情報 | 3 |
| 1.2 | 使用される規則や記号の説明 | 3 |
| 1.3 | 頭字語と略語 | 4 |
| 1.4 | コンプライアンス情報 | 4 |
| 2 | 安全上の注意 | 4 |
| 2.1 | 注意喚起の表示と警告記号 | 5 |
| 2.2 | 製品固有の安全注記 | 5 |
| 3 | 機器構成と機能 | 8 |
| 3.1 | 機能説明 | 8 |
| 3.2 | 概要 | 8 |
| 3.3 | 部品詳細 | 9 |
| 3.4 | 分注ヘッドRFIDタグ | 10 |
| 4 | 設置と操作 | 10 |
| 4.1 | 標準付属品 | 10 |
| 4.2 | 据付場所の選択 | 11 |
| 4.3 | 液体分注システムのセットアップ | 11 |
| 4.3.1 | ポンプのインターフェース | 11 |
| 4.3.2 | ポンプの配線 | 11 |
| 4.3.3 | チューブの接続 | 12 |
| 5 | 操作 | 16 |
| 5.1 | 液体分注 | 16 |
| 5.1.1 | 液体分注ヘッドの取り付けと取り外し | 16 |
| 5.1.2 | 分注高さの調整 | 17 |
| 5.1.3 | 分注ヘッドのボトルキャップへの取り付け | 17 |
| 5.1.4 | ボトルの取り扱い | 18 |
| 5.1.5 | QL3の使用 | 19 |
| 5.2 | 他の計量メソッドの使用 | 20 |
| 6 | メンテナンス | 20 |
| 6.1 | 清掃 | 20 |
| 6.1.1 | ハウジングの清掃 | 20 |
| 6.1.2 | 計量室の清掃 | 20 |
| 6.1.3 | 液体分注パーツの清掃 | 21 |
| 6.2 | シーリングリングの交換と液体チューブへのナット締め付け | 22 |
| 7 | トラブルシューティング | 22 |
| 7.1 | エラーの症状 | 22 |
| 8 | 技術データ | 24 |
| 8.1 | 一般データ | 24 |
| 9 | 廃棄 | 25 |

1 はじめに

1.1 追加文書と情報

この文書はオンラインで他の言語で利用可能です。

▶ www.mt.com/XPR-automatic

ソフトウェアダウンロード
の検索

▶ www.mt.com/labweighing-software-download

ドキュメントの検索

▶ www.mt.com/library

詳細については、メトラー・トレード 代理店またはサービス担当者にお問い合わせください。

▶ www.mt.com/contact

1.2 使用される規則や記号の説明

表示規則と記号

操作キーとボタンの名称や、表示文は、画像やボールドテキストとして表示してあります（例えば、**↵**、**編集**）。

📖 **注**

製品についての役立つ情報。



外部文書を参照。

説明の要素

本マニュアルでは、段階的な説明を次のように示しています。例で示されているように、作業ステップには番号が付けられており、前提条件や中間結果、結果が含まれています。2ステップに満たない順序には、番号が付けられていません。

■ 個々のステップを実行する前に満たす必要がある前提条件を、実行することができます。

- 1 ステップ1
 - ➔ 中間結果
- 2 ステップ2
 - ➔ 結果

1.3 頭字語と略語

| 元の用語 | 翻訳された用語 | 説明 |
|------|---------|--|
| EMC | | Electromagnetic Compatibility (電磁両立性) |
| FCC | | Federal Communications Commission (連邦通信委員会) |
| LPS | | Limited Power Source (有限電源) |
| POM | | Polyoxymethylene (ポリオキシメチレン) |
| RFID | | Radio-frequency identification (無線自動識別装置) |
| RM | | Reference Manual (リファレンスマニュアル) |
| sd | | Standard deviation |
| SELV | | Safety Extra Low Voltage (安全特別低電圧) |
| SOP | | Standard Operating Procedure (標準作業手順) |
| UM | | User Manual (ユーザマニュアル) |
| USB | | Universal Serial Bus |

1.4 コンプライアンス情報

FCCサブライヤ適合宣言書といった国家承認文書はオンラインで入手可能またはおよびパッケージに含まれています。

▶ <http://www.mt.com/ComplianceSearch>



詳細については、リファレンスマニュアル (RM) を参照してください。

▶ www.mt.com/QLX3-RM

2 安全上の注意

この機器には「ユーザマニュアル」と「Reference Manual」の二つの文書が添付されています。

- ユーザマニュアルは印刷版であり、本機器に同梱されています。
- Reference Manualは電子版であり、機器とその使用方法についての詳細な説明が記載されています。
- 今後の参照に備えて両方の取扱説明書を保管してください。
- 機器を第三者に譲渡するときは、取扱説明書を両方とも添付してください。

ユーザマニュアルおよびReference Manualに従い、本機器をご使用ください。取扱説明書に従って機器を使用されない場合や改ざんされた場合、機器の安全性が損なわれる恐れがありますが、これに関して Mettler-Toledo GmbH は一切責任を負いません。

2.1 注意喚起の表示と警告記号

安全上の注意には、安全の問題に関する重要な情報が含まれています。安全上の注意を疎かにすると、機器の損傷、故障および誤りのある測定結果や怪我の要因となります。安全上の注意には、次の注意喚起（注意を促す語）および警告記号を付けています。

注意喚起の表示

| | |
|-----------|---|
| 危険 | 回避しないと、死亡事故または重度の事故や重傷を招く恐れや、高い危険性を伴う状況に対して発せられます。 |
| 警告 | 死亡事故または重度の事故や重傷を招く恐れがある、中程度の危険状態に対する注意喚起。 |
| 注意 | 軽中度の負傷を招く恐れがある、軽度の危険状態に対する注意喚起。 |
| 注記 | 測定装置もしくは他の器物の損傷、エラーや故障、データ喪失を招く恐れがある、軽度の危険状態に対する注意喚起。 |

警告記号



一般的な危険性



通知

2.2 製品固有の安全注記

用途

この分注システムは、訓練を受けたスタッフが分析研究室で使用するよう設計されています。分注システムは、粉体または液体サンプルの計量および分注を対象としています。

Mettler-Toledo GmbH の同意なしにMettler-Toledo GmbH が指定した使用限界を超えた使用および操作はすべて、用途外とみなされます。

機器所有者の責任

機器の所有者とは、機器の法的所有権を有し、また機器を使用やその他の人が使用することの管理を行う、または法的に機器のオペレーターになるとみなされる人のことです。機器の所有者は、機器の全ユーザーおよび第三者の安全に責任があります。

Mettler-Toledo GmbH は、機器の所有者がユーザーに対して、仕事場で機器を安全に使用し、潜在的な危険に対応するための研修を行うことを想定しています。Mettler-Toledo GmbHは、機器の所有者が必要な保護用具を提供することを想定しています。

保護用品



化学薬品に耐性のある手袋



ゴーグル



ラボ用コート



警告

感電による死亡事故または重傷

通電部品に触れると負傷や死亡事故を招く恐れがあります。

- 1 機器にあわせて設計されている、メトラー・トレド電源ケーブルやAC/DCアダプタのみをご使用ください。
- 2 電源ケーブルをアース付き電源コンセントに接続します。
- 3 電気ケーブルと接続部材はすべて、液体や湿気から離れた場所に保管してください。
- 4 ケーブルと電源プラグに損傷がないことを確認し、損傷があれば交換してください。



警告

危険な物質による負傷および/または損害

機器によって処理される物質に、科学的、生物学的、または放射能の危険が伴うことがあります。添加手順の際に、少量の添加物が空中に漂い、機器への浸透または周囲の汚染を起こすことがあります。

物質の特性と関連する危険については、機器の所有者が責任を負います。

- 1 物質に関連する危険の可能性を認識し、適切な安全措置(メーカーが提供する安全データシートに記載されているものなど)を施してください。
- 2 物質と接触するすべての機器の部品が、物質によって変更されたり損傷したりしないようにしてください。



警告

粉体の取り扱いによる負傷および/または損害

粉体分注ヘッド内で圧縮されて詰まることがあります。分注ヘッドメカニズムからかかる力が強すぎると、破損する可能性があり、潜在的に危険な物質が空中にできることがあります。

- 1 この分注ヘッドは慎重に取り扱ってください。
- 2 分注ヘッドが詰まっていると思われる場合は、それ以上分注しないでください。ヘッドを機器から取外し、さかさまにして粉体をほぐしてください。
- 3 漏れや破損の場合はただちに作業を中止してください。



警告

反応性、可燃性、または爆発性の物質による負傷および/または損害

分注手順の際、物質が組合わせられて発熱反応または爆発を生じることがあります。これには粉体、液体、気体が含まれます。

試料の特性と関連する危険については、機器の所有者が責任を負います。

- 1 反応性、可燃性、または爆発性の物質に関連する危険の可能性を認識してください。
- 2 炎の形成や爆発を防ぐため、作業温度は必ず十分な低さにしてください。

**警告****毒性、爆発性、または可燃性の物質による負傷または死亡事故**

ポンプで毒性、爆発性、または可燃性の液体を使用する場合、排気は汚染されています。

- 汚染された空気を回収するために、排気口にチューブを接続してください。

**警告****反応性の物質による負傷および/または損害**

ボトルから圧力が解放されるときに、ボトル内の空気/ガスがポンプの方に戻ります。運動する排出口からの空気/ガスが、ポンプ内で混合します。さまざまなボトル内の物質の微粒子が、この汚染された空気/ガスを通して接触する可能性があります。

- 1 互換性のない液体のボトルを、同時に同じポンプに接続しないでください。
- 2 ポンプに、2つ目の互換性のない液体を接続する前に、最初のボトルを取外し、清潔な空気/ガスでポンプをパージしてください。

**警告****高圧による負傷やボトルまたはポンプの破損**

外部ガスからの高圧により、ポンプまたはボトルが破損することがあります。

- 1 外部ガスラインでレギュレータを使用してください。
- 2 外部ガスの圧力が0.5 bar (7.2 psi) を超えないことを確認してください。

**注意****液体拡散による負傷**

ボトル内の圧力を解放しないと、マイクロ分注バルブの取外し時やボトルをあけるときの、または液体チューブを取外す際に、液体が飛び散ることがあります。

- マイクロ投与バルブを取外す前、ボトルを開ける前、または液体チューブを取り外す前は必ずボトル内の圧力を解放します。

**注意****漏れた液体による負傷**

チューブが不適切に切断されていると、接続に漏れが生じる原因となります。

- チューブを、チューブカッターまたは鋭いナイフで切断します。

**注意****可動部品による傷害**

- 機器の部品が動いている間は、作業エリアに入らないでください。



⚠ 注意

鋭い物体や破損したガラスによる負傷

ガラスなどの機器コンポーネントが破損して負傷することがあります。

- いつも慎重に集中して行ってください。



注記

部品を正しく使用しないと機器の損傷や故障を招く恐れがある

- お使いの機器専用のメトラー・トレドからの部品のみを使用してください。



注記

機器の損傷

製品の部品には、ユーザーによる修理が禁止されているものがあります。

- 1 機器を開けないでください。
- 2 問題が生じたときは、メトラー・トレドの代理店にお問い合わせください。



注記

不適切な洗浄方法による機器の損傷

液体がハウジングに入った場合、機器に損傷を与える恐れがあります。ある種の洗浄剤、溶剤、研磨剤によって、機器の表面が損傷することがあります。

- 1 機器に液体をかけたり、噴霧したりしないでください。
- 2 ガイド「8 Steps to a Clean Balance」または機器のリファレンスマニュアル (RM) で指定されている洗浄剤のみを使用してください。
- 3 機器の清掃には、少し湿らせたリントフリーの布またはティッシュのみを使用してください。
- 4 こぼした場合は、すぐに拭き取ってください。

3 機器構成と機能

3.1 機能説明

QLX3液体モジュールは粉体や液体の自動分注を行うために、**XPR分析天びん**に取り付けることができます。液体分注ヘッドは液体モジュールに取り付けられ、計量室の中にあります。液体モジュールの垂直方向の位置は手で調整できます。システムには**QL3ポンプ**と**QLLボトル用キット**が必要です。**QL3ポンプ**はボトル内の圧力を高めるのに使用します。圧力が十分な高さになると、液体分注ヘッドのマイクロ吐出バルブが開き、液体が液体チューブの中を上っていきます。天びんには複数のポンプを同時に接続でき、各ポンプには最大で3本のボトルを接続できます (QLLキット)。

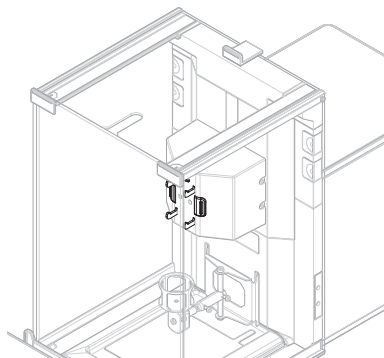
3.2 概要

本取扱説明書の始めにある「Overview」(図と凡例)のセクションをご覧ください。

3.3 部品詳細

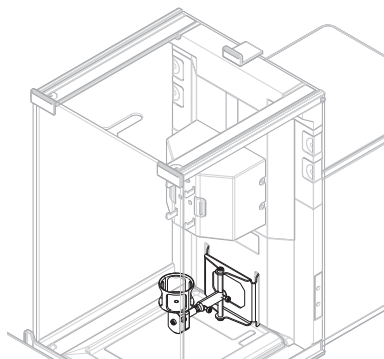
分注ヘッドホルダー

分注ヘッドホルダーは液体分注ヘッドを固定する部分です。分注ヘッドはホルダーの両側にあるリリースボタンのどちらかを押しingて取り外すことができます。



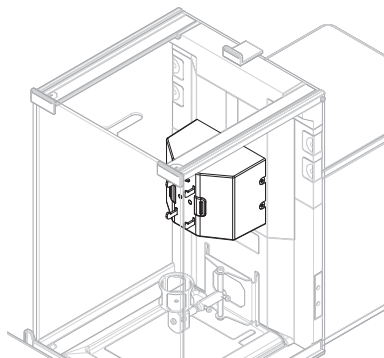
エルゴクリップバイアル

エルゴクリップバイアルはバイアルを正しくセットするためにバイアルアダプタと共に使用します。バイアルアダプタはさまざまな直径や高さのバイアルに対応しています。アクセサリを参照。



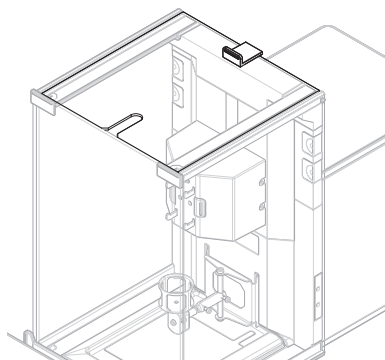
液体モジュール

液体モジュールは液体分注ヘッドを取り付ける部分です。手で上下に動かして、サンプル容器と分注ヘッドの先端の距離を調整できます。



液体モジュール上部ドア

この液体モジュールには、液体チューブを計量室内に入れるためのスリット付きの上部ドアがあります。この上部ドアは天びんの標準上部ドアと同じレールが付いており、開閉は自動でも手動でもできます。

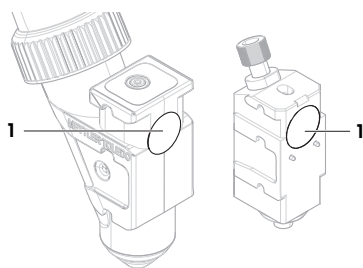


3.4 分注ヘッドRFIDタグ

各粉体および液体分注ヘッドには、データ保存と機器とのデータ交換ができる RFIDタグ (1) が搭載されています。

分注ヘッドのRFIDタグには、物質名、ロットID、充填日、有効期限などのさまざまなデータが保存されています。また、カスタマイズデータフィールドもあります。

このデータはターミナルで編集することができます。データをレポートやラベルに使えるように、新しい分注ヘッドを使用する前に必ず設定してください。



4 設置と操作

この機器は必ずメトラー・トレドのサービス技術者が取り付けなければなりません。

QLX3液体モジュールは、背の高い風防が付いたすべてのXPR分析天びんと互換性があります。

4.1 標準付属品

QLX3液体モジュール

- QLX3液体モジュール
- 液体モジュール上部ドア
- エルゴクリップ バイアル
- 各種バイアルアダプタ (4個)
- 適合宣言書
- ユーザマニュアル

QL3ポンプとQLLボトル用キットの標準付属品はこれらの製品に付属している文書に記載されています。

4.2 据付場所の選択

天びんは高感度の精密機器です。天びんが設置される場所によって、計量結果の精度に多大な影響を及ぼします。

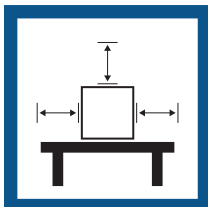
据付場所の要件

室内の安定したテーブルに配置

十分な間隔を確保

機器を水平に調整

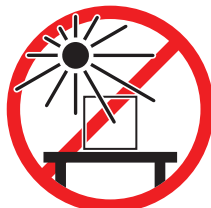
適切な明るさを確保



直射日光が当たらない 振動しない

強風に晒されない

温度変化が少ない



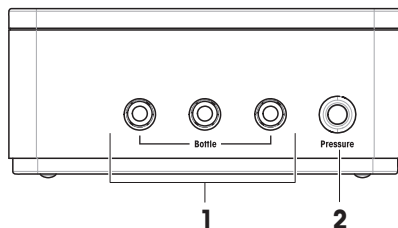
天秤の十分な間隔：全方向に装置の周り > 15 cm

環境条件を考慮します。"技術データ"を参照してください。

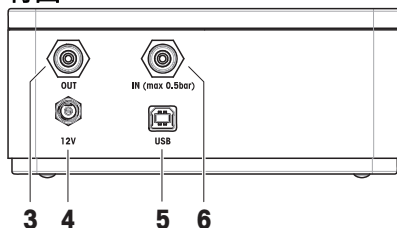
4.3 液体分注システムのセットアップ

4.3.1 ポンプのインターフェース

前面



背面



| | | | |
|---|------------------|---|-----------------|
| 1 | 排気口 (ボトルへ) | 4 | AC/DCアダプタ用ソケット |
| 2 | 圧力解放ボタンとステータスライト | 5 | USB-Bポート (ホストへ) |
| 3 | 排気口 | 6 | 空気吸入口 |

4.3.2 ポンプの配線

1 ケーブルは、破損ないように、また作業の妨げにならないように設置します。

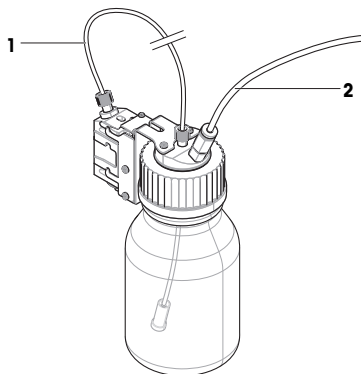
- 2 AC/DCアダプタのプラグをポンプの電源インレットに差し込みます。
- 3 刻み付きナットを固く締めて、プラグを固定します。
- 4 電源ケーブルのプラグを、手の届きやすい場所にある接地付き電源コンセントに挿入します。
- 5 USBケーブルでポンプのUSB-Bポートと天びんのUSB-Aポートのひとつを接続します。

4.3.3 チューブの接続

チューブ定義

液体をボトルから液体分注ヘッドに移す液体チューブには、細い方のチューブ (1) を使用します。空気をポンプでボトルに入れるエアチューブには、やや太い方のチューブ (2) を使用します。エアチューブに空気を通すと、ボトル内の圧力が上昇します。圧力が 0.3~0.5 bar (4.4~7.2 psi) の目標圧に達すると、分注ヘッドのマイクロ吐出バルブが開き、液体が液体チューブの中を上っていきます。

- 1 液体チューブ
- 2 エアチューブ



液体チューブの準備



⚠ 注意

漏れた液体による負傷

チューブが不適切に切断されていると、接続に漏れが生じる原因となります。

- チューブを、チューブカッターまたは鋭いナイフで切断します。

- 液体分注ヘッドがボトルの液体分注ヘッドサポートに挿入されています。

- 1 チューブカッターまたはナイフを使用して、チューブを適切な長さに切ります。適切な長さは、分注時の天びんとボトルの距離によって異なります。

推奨長さ：約0.9 m

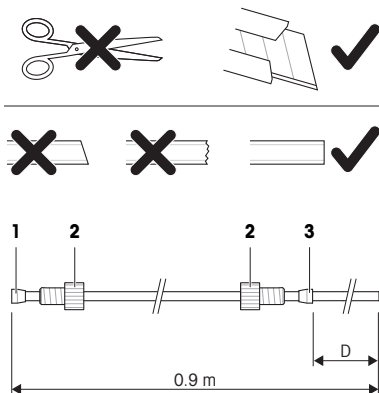
- 2 注記: 組み立てミスによる液体漏れ。シーリングリングをチューブに付ける時は、シーリングリングの向きに注意してください。

テーブルやワークベンチなどの平らで安定した場所に、口が広い方を下にしてシーリングリング (1) を置きます。

- 3 液体チューブの端をシールリングに押し込みます。

➔ これがチューブの分注ヘッド端です。反対側の端がボトル端です。

- 4 固定ナット2つ (2) を向きに注意して取り付けます。



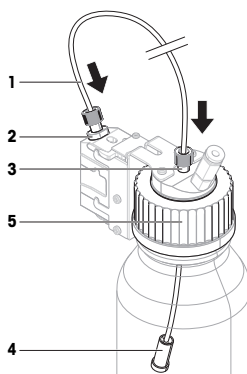
- 5 注記:組み立てミスによる液体漏れ。シーリングリングをチューブに付ける時は、シーリングリングの向きに注意してください。
チューブのボトル端のシーリングリング (3) を取り付けます。
- 6 チューブがボトルの底に届くように距離 (D) が十分な長さになるまで、シーリングリングをスライドさせます。一般的なボトル容量における推奨距離は以下のとおりです。

シーリングリングとチューブのボトル端との一般的な距離 (D)

| スレッド | ボトル容量 | 距離 (D) |
|------|---------|--------|
| GL45 | 1000 ml | 220 mm |
| | 500 ml | 170 mm |
| | 250 ml | 135 mm |
| GL25 | 25 ml | 90 mm |

液体チューブの接続

- 1 チューブの分注ヘッド端 (1) を分注ヘッド (2) に挿入します。
- 2 締付けナットを分注ヘッドにしっかり締め付けます。
- 3 チューブのボトル端をボトルキャップの対応する穴 (3) に通します。チューブがボトルの底に届くはずですが。
- 4 必要に応じて、吸引フィルター (4) をチューブのボトル端に取り付けます。
- 5 固定ナットをボトルキャップにしっかり締め付けます。
- 6 キャップをボトルに取り付けます (5)。



吸引フィルターは粒子または不純物が液体分注ヘッドを通過して移動しないようにするために使用します。吸引フィルターを使用することで、分注ヘッドの寿命が延びます。ただし、溶液を分注する際に一部物質の分子が吸引フィルターに吸収され、溶液の濃度が変化する可能性があります。吸引フィルターは純粋溶媒の分注時のみに使用してください。

エアチューブの接続



⚠ 警告

反応性の物質による負傷および/または損害

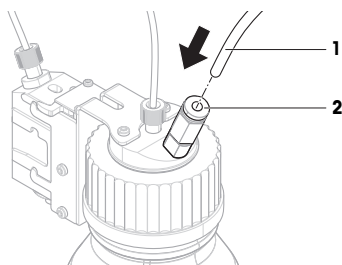
ボトルから圧力が解放されるときに、ボトル内の空気/ガスがポンプの方に戻ります。連動する排出口からの空気/ガスが、ポンプ内で混合します。さまざまなボトル内の物質の微粒子が、この汚染された空気/ガスを通して接触する可能性があります。

- 1 互換性のない液体のボトルを、同時に同じポンプに接続しないでください。
- 2 ポンプに、2つ目の互換性のない液体を接続する前に、最初のボトルを取外し、清潔な空気/ガスでポンプをバージしてください。

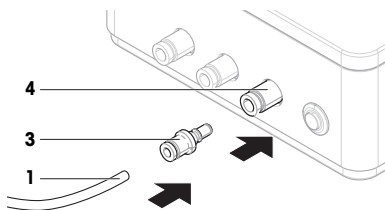
- 1 チューブカッターまたはナイフを使用して、チューブを適切な長さに切ります。適切な長さは、分注時のボトルとポンプの距離によって異なります。

推奨長さ：約0.7 m

- 2 エアチューブ (1) をボトルの吸気口 (2) に接続します。



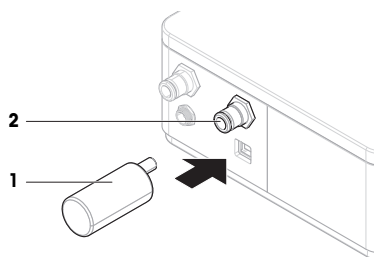
- 3 エアチューブのもう一方の端 (1) をチューブアダプタ (3) にしっかり差し込みます。
- 4 チューブアダプタ (3) をポンプの排気口の1つ (4) に接続します。カチッと音がするまで押し込んでください。



ポンプの排気口にチューブが接続されると、排気口のバルブが開きます。圧力を上げることができなくなるため、この排気口に接続されているチューブは、もう一方の端が接続されていない状態にはしないでください。各ポンプには最大3本のボトルを接続できます。

マフラーの接続

- ノイズを吸収するために、マフラー (1) を排気口 (2) に挿入します。



エアチューブの取り外し



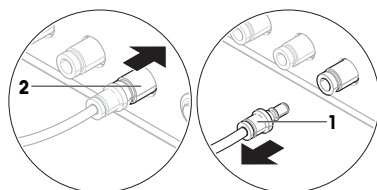
注記

誤った取扱いによるチューブコネクタの損傷

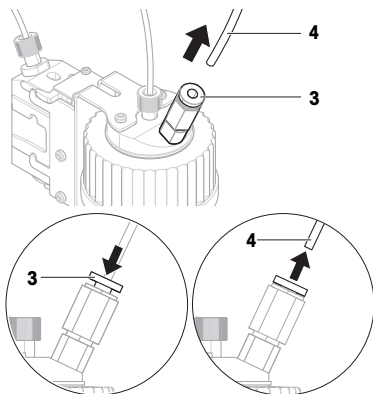
チューブが正しく外されないと、ポンプのコネクタとボトルキャップが破損することがあります。

- チューブを外すには、コネクタ上のリングを押し下げてチューブを慎重に引出します。

- 1 排気口のコネクタ (2) をポンプ側に押し、チューブアダプタ (1) をポンプから取り外します。
 - ➔ アダプタがリリースされ、取り外せるようになります。



- 2 リング (3) を強く押し下げて同時にチューブ (4) を引き、エアチューブをボトルから取り外します。
- 3 メンテナンスなどで必要な場合は、同じ手順でエアチューブをチューブアダプタから取り外します。リングを強く押し下げて同時にチューブを引いてください。



外部ガスでのポンプの使用

窒素などの外部ガスをポンプに供給することにより、液体を保護できます。外部ガスの圧力が 0.5 bar (7.2 psi) を超えないことを確認してください。



⚠ 警告

高圧による負傷やボトルまたはポンプの破損

外部ガスからの高圧により、ポンプまたはボトルが破損することがあります。

- 1 外部ガスラインでレギュレータを使用してください。
- 2 外部ガスの圧力が 0.5 bar (7.2 psi) を超えないことを確認してください。

- レギュレータは外部ガスラインに接続します。
- 1 マフラーを吸気口 (1) から取り外します。
 - 2 外部ガスのチューブ (2) を吸気口 (1) に接続します。

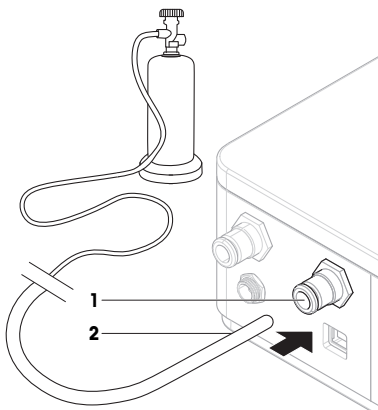
注

チューブ外径: 6 mm

外部ガスラインの圧力: 圧力は必ず

0.1 bar (1.5 psi) 以上にしてください。この圧力は必ずターミナルで設定した分注圧力を超えないようにしてください。

外部ガスチューブはメトラー・トレドでは取り扱っていません。



汚染された空気の回収



警告

毒性、爆発性、または可燃性の物質による負傷または死亡事故

ポンプで毒性、爆発性、または可燃性の液体を使用する場合、排気は汚染されています。

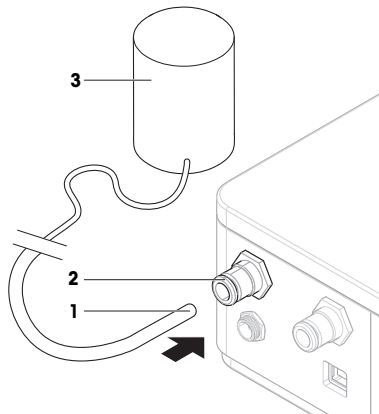
- 汚染された空気を回収するために、排気口にチューブを接続してください。

- チューブ (1) を排気口 (2) に接続して、汚染された空気を安全な容器 (3) に回収します。

注

チューブ外径: 6 mm

排気チューブと容器はメトラー・トレドでは取り扱っていません。



5 操作

5.1 液体分注



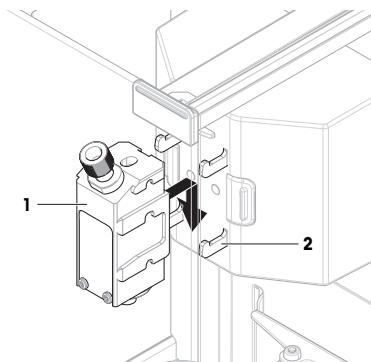
詳しくはXPR天びんのリファレンスマニュアルを参照してください。

▶ www.mt.com/XPR-analytical-RM

5.1.1 液体分注ヘッドの取り付けと取り外し

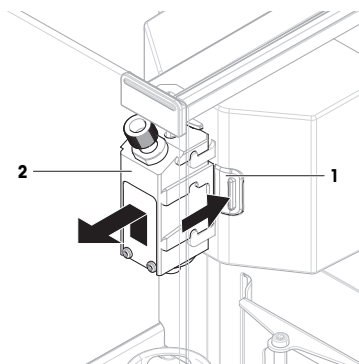
分注ヘッドの取り付け

- 1 分注ヘッドホルダー (2) にある分注ヘッド (1) をストッパーに当たるまでスライドさせます。
- 2 分注ヘッドホルダー (2) 内の適切な位置に収まるまで、分注ヘッドを少し押し下げます。
 - ▶ 分注ヘッドがホルダー内にロックされます。
- 3 液体チューブを上部ドアの穴に通します。
 - ▶ 分注ヘッドに分注の準備ができました。



分注ヘッドの取り外し

- 1 分注ヘッドホルダーのどちらかのリリースボタン (1) を押して分注ヘッド (2) をリリースします。
- 2 同時に、分注ヘッド (2) を上へ引き抜きます。

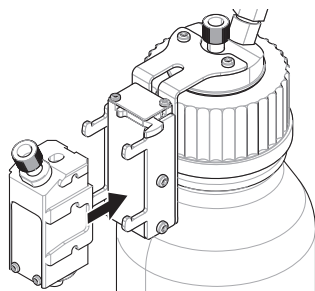


5.1.2 分注高さの調整

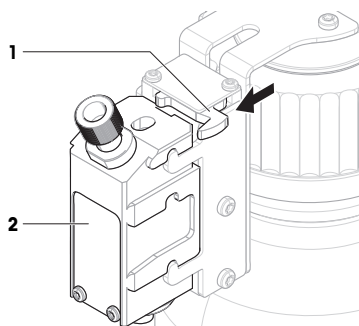
液体モジュールの垂直方向の位置は、レールに沿わせて手で上下に動かして調整できます。

5.1.3 分注ヘッドのボトルキャップへの取り付け

- 1 液体分注ヘッドを液体分注ヘッドサポートに挿入します。



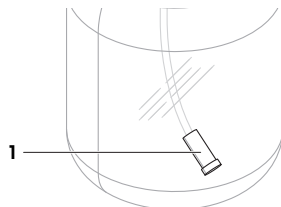
- 2 液体分注ヘッドを液体分注ヘッドサポートから取り外す場合は、レバー (1) を液体分注ヘッドの方に引き、液体分注ヘッド (2) を取り外します。



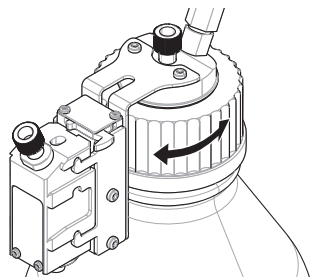
5.1.4 ボトルの取り扱い

ボトルの充填

吸引フィルター（1）は常に液体で覆われている必要があります。吸引フィルターが乾く前にボトルを再充填してください。



- 圧力は解放されています。
- 1 **▲ 注意: 液体飛散による負傷。ボトル内の圧力が解放されていることを確認してください。**
キャップを取り外します。
- 2 液体を充填します。最大値を超えないようにしてください（1000 mlなど、最大値はボトルに記載されています）。液体上の空気は分注に必要です。
- 3 キャップを固く締めます。



ボトル内容物の変更

分注ヘッドが付いたシングルキャップをお持ちで、分注する液体を変更したい場合は、この手順を参照してください。

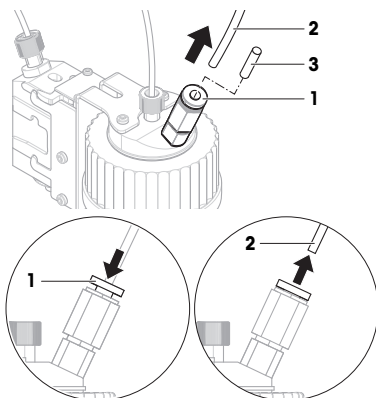
- 圧力は解放されています。
- 1 **▲ 注意: 液体飛散による負傷。ボトル内の圧力が解放されていることを確認してください。**
キャップを取り外します。
- 2 吸引フィルターを取り外します（ある場合）。
- 3 キャップを清掃する必要がある場合は、エアチューブを取り外します。
固定ナットをキャップから外します。
キャップを適切な溶剤または液体ですすぎます。
液体チューブをキャップに挿入します。
- 4 液体チューブを溶剤で清掃する必要がある場合は、適切な溶剤でボトルを満たします。
キャップをボトルに取り付けます。
エアチューブをキャップに挿入します。
ターミナルのパーージ機能を使用してパーージします。
キャップを取り外します。
残っている溶液を廃棄します。
- 5 新しい吸引フィルターを取り付けます（ある場合）。
- 6 新しい液体が入ったボトルにキャップを付けます。
- 7 キャップがしっかりと閉まっていることを確認します。
- 8 エアチューブを新しいボトルに接続します。
- 9 **パーージ機能を使用してパーージします。**

別のボトルへのエアチューブの接続

キャップと分注ヘッドが付いたボトルが2本以上あり、同じポンプのアウトレットとエアチューブを使って別のボトルから分注したい場合：

- 圧力は解放されています。

 - 1 分注ヘッドをボトルの分注ヘッドサポートに取り付けます。
 - 2 リング (1) を強く押し下げて同時にチューブ (2) を引き、エアチューブを外します。
 - 3 ボトルを密閉するには、QLLキットに付属のピン (3) をエアチューブのコネクタに挿入します。
 - 4 新しいボトルを取ります。
 - 5 エアチューブを新しいボトルに接続します。
 - 6 新しいボトルで分注を続けるために、分注ヘッドを取り付けます。



5.1.5 QL3の使用

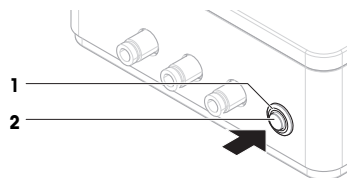
圧カステータスライト

圧カステータスライトはポンプの状態を示します。

- 点灯：圧力が高まっている、または所定の圧力に達した
- 消灯：圧力がない、圧力が高まっていない
- 点滅：ポンプのエラーおよび/または警告

圧力の解放

- 圧カステータスライト (1) が点灯します。
- 圧力解放ボタン (2) を押して圧力を解放します。
- ➔ 圧力が解放されるとステータスライト (1) が消えます。



ポンプのパージ

互換性のない液体（および混ぜてはいけないガス）が入っているボトルを交互にポンプに接続する場合は、2本目のボトルをポンプに接続する前にポンプをパージすることを推奨します。

- 分注ヘッドは分注または液体モジュールに取り付けられています。この分注ヘッドのボトルはどのポンプにも接続されていません。
- メソッド**自動分注**または**自動溶液準備**がターミナルで実行されています。

 - 1 すべてのチューブアダプタをポンプから取り外します。
 - 2 空のチューブアダプタをポンプ前面の一番右側の排気口に接続します。
 - ➔ このポンプはポンプ内部から圧力と気流を高めようとし、パージします。
 - ➔ ポンプ内部がパージされ、ボトルは安全に排気口に再接続できるようになります。

5.2 他の計量メソッドの使用

天びんで他のメソッドを使用するには、液体モジュールを最上部の位置に動かします。



詳しくはXPR天びんのリファレンスマニュアルを参照してください。

▶ www.mt.com/XPR-analytical-RM

6 メンテナンス

適切なメンテナンス頻度はご使用の標準操作手順 (SOP) によって決まります。

利用できるサービスオプションの詳細については、メトラー・トレドのサービス担当者にお問い合わせください。認定サービス技術者による機器の定期的な保守・点検により常に正確な分注結果が保証されるとともに、機器の耐用年数を延ばすことができます。

6.1 清掃



注記

不適切な洗浄方法による機器の損傷

液体がハウジングに入った場合、機器に損傷を与える恐れがあります。ある種の洗浄剤、溶剤、研磨剤によって、機器の表面が損傷することがあります。

- 1 機器に液体をかけたり、噴霧したりしないでください。
- 2 ガイド「8 Steps to a Clean Balance」または機器のリファレンスマニュアル (RM) で指定されている洗浄剤のみを使用してください。
- 3 機器の清掃には、少し湿らせたリントフリーの布またはティッシュのみを使用してください。
- 4 こぼした場合は、すぐに拭き取ってください。



天びんの清掃に関する詳細については、「8 Steps to a Clean Balance」を参照してください。

▶ www.mt.com/lab-cleaning-guide



対応する洗浄剤についての詳細は、XPR天びんのリファレンスマニュアルをご覧ください。

▶ www.mt.com/XPR-analytical-RM

6.1.1 ハウジングの清掃

液体モジュールのハウジングの材質は天びんと同じです。そのため、すべての表面は市販の中性洗浄剤で洗浄できます。

6.1.2 計量室の清掃

清掃手順は天びんと同じです。詳しくは天びんのリファレンスマニュアルを参照してください。

6.1.3 液体分注パーツの清掃

吸引フィルターの洗浄

- 1 週に一度、吸引フィルターが清潔であることを目視で確認してください。必要に応じて、ターミナルのパーズ機能を使用して吸引フィルターを溶剤ですすぐか、または吸引フィルターを交換します。
- 2 吸引フィルターは少なくとも年に一度交換してください。メンテナンス間隔は使用する液体の種類によります。

液体分注ヘッドのパーズ

液体分注ヘッドは大量の溶剤（または他の液体）を流すことで、すすいだり、パーズしたりすることができます。パーズ機能を使用します。詳しくはXPR天びんのリファレンスマニュアルを参照してください。

- ボトルには分注ヘッドのパーズに必要な十分な量の溶剤が入っています。
- 分注ヘッドのパーズに使用された溶剤を回収するために、大型サンプル容器が計量皿の上にあります。
- 液体分注ヘッドは分注または液体モジュールに取り付けられています。
 - ターミナルのパーズ機能を使用して、分注ヘッドをすすぎます。

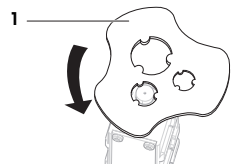
マイクロ分注バルブの洗浄

液体分注ヘッドQL001のマイクロ分注バルブは、超音波浴などで分解洗浄することができます。

⚠ 注

QL003分注ヘッドにはマイクロ分注バルブはありません。パーズ機能を使用して分注ヘッドを洗浄するだけで十分です（上記参照）。

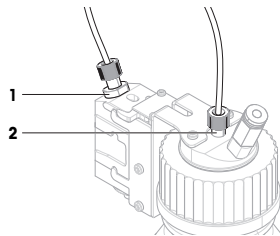
- 液体分注ヘッドは分注または液体モジュールに取り付けられています。
 - 液体チューブ内の液量を入れるのに十分な大きさのサンプル容器が計量皿の上にあります。
 - 圧力は解放されています。
- 1 **⚠ 注意: 液体飛散による負傷。** ボトル内の圧力が解放されていることを確認してください。ボトルを空のボトルに交換してパーズ機能を使用することにより、液体チューブを空にします。
 - ➡ 液体チューブは空になっています。
 - 2 圧力を解放します。
 - 3 **⚠ 注意: 液体飛散による負傷。** ボトル内の圧力が解放されていることを確認してください。分注ヘッドを分注または液体モジュールから取り外します。
 - 4 **⚠ 警告: 危険物質による負傷または汚染。** チューブやバルブから流れ出る液体に注意してください。分注ヘッドをマイクロ分注バルブツール（1）（ある場合）で開けます。
 - 5 マイクロ分注バルブを取り出して、超音波浴などで洗浄します。
 - 6 洗浄後はマイクロ分注バルブを取り付けて、ボトルを再充填/交換します。



6.2 シーリングリングの交換と液体チューブへのナット締め付け

シーリングリングと固定ナットの取り外し

液体が分注ヘッドのナットから漏れている場合は、分注ヘッドのシーリングリングと固定ナット (1) を交換します。ボトル内の圧力が上がらない場合は、ボトルキャップのシーリングリングと固定ナット (2) を交換します。

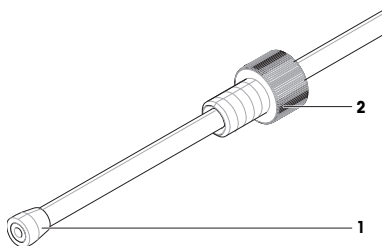


- 圧力は解放されています。

1 **▲ 注意: 液体飛散による負傷。ボトル内の圧力が解放されていることを確認してください。**

分注ヘッドまたはボトルキャップの固定ナットを緩めます。

- 2 シーリングリング (1) に届くように、固定ナット (2) を後方にずらします。
- 3 ボトルキャップのナットとリングを交換する場合は、吸引フィルターを取り外し、チューブのボトル端までシーリングリングをずらします。
- 4 カッターまたはナイフを使用して、シーリングリング (1) の上でチューブを切ります。
- 5 固定ナットを取り外します。



液体チューブの再接続

新しい固定ナットとシーリングリングを挿入し、液体チューブを再度接続します。

以下も参照してください

- チューブの接続 ▶ 12 ページ

7 トラブルシューティング



詳しくはXPR天びんのリファレンスマニュアルを参照してください。

▶ www.mt.com/XPR-analytical-RM

7.1 エラーの症状

| エラーの症状 | 考えられる原因 | 診断 | 対処方法 |
|--------------------|------------------|-------------------------|------------------------|
| 液体分注ヘッドが液体を吐出しません。 | 吸引フィルターが詰まっています。 | 液体チューブ内に液体があるか確認してください。 | 吸引フィルターを清掃または交換してください。 |

| エラーの症状 | 考えられる原因 | 診断 | 対処方法 |
|------------------------------|--------------------------|---|--|
| | 分注ヘッドが正しく取り付けられていません。 | - | 分注ヘッドを取り外してホルダーに再度取り付けてください。カチッと音がするまで押し込んでください。 |
| ボトルキャップや分注ヘッドから液体が漏れている。 | チューブが正しく接続されていません。 | - | ボトルキャップや分注ヘッドの固定ナットを締めてください。 チューブの先端は必ずまっすぐに切断してください。 |
| | シーリングリングや固定ナットが破損しています。 | - | ボトルキャップや分注ヘッドのシーリングリングと固定ナットを交換してください。「メンテナンス」を参照してください。 チューブの先端は必ずまっすぐに切断してください。 |
| QL003液体分注ヘッドから液体が滴り落ちている。 | QL003液体分注ヘッドに不純物が入っています。 | - | パーズ 機能を10秒以上使用して、分注ヘッドをすすぎます。まだ分注ヘッドから滴り落ちているか確認します。必要に応じてすすぎを繰り返します。 分注ヘッドを正しく洗浄できない場合は、交換してください。 |
| 電源に接続してもポンプのステータスライトが点滅しません。 | ポンプが電源に接続されていません。 | AC/DCアダプタをポンプから外して、再度接続してください。電源に接続されるとステータスライトが点滅するはずです。 AC/DCアダプタと電源ケーブルが破損していないか確認してください。 | AC/DCアダプタと電源ケーブルを交換してください。 |
| | ポンプが破損しています。 | 可能な場合は別のポンプで確認してください。 | ポンプを交換してください。 |

| エラーの症状 | 考えられる原因 | 診断 | 対処方法 |
|-------------------------------------|-----------------------|---|--|
| | | | メトラー・トレドサービス担当者にお問い合わせください。 |
| ディスプレイの天びん接続済み機器リストにQL3ポンプが表示されません。 | ポンプが電源に接続されていません。 | AC/DCアダプタをポンプから外して、再度接続してください。電源に接続されるとステータスライトが点滅するはずです。 AC/DCアダプタと電源ケーブルが破損していないか確認してください。 | AC/DCアダプタと電源ケーブルを交換してください。 |
| | USBケーブルが正しく接続されていません。 | USBケーブルが正しく接続されているか確認してください。 | USBケーブルを正しく接続してください。 |
| | USBケーブルが破損しています。 | USBケーブルが破損していないか確認してください。 | USBケーブルを交換してください。 |
| | 天びんのUSB-Aポートが破損しています。 | 天びんのUSB-Aポートからポンプを外してください。USBマウスを同じUSB-Aポートに接続してください。ポインタ（矢印）が端子に表示され、マウスを動かして移動できることを確認します。 | マウスポインタが表示されない場合、メトラー・トレドサービス代理店にご連絡ください。 |
| | ポンプが破損しています。 | 可能な場合は別のポンプで確認してください。 | ポンプを交換してください。 メトラー・トレドサービス担当者にお問い合わせください。 |

8 技術データ



詳しくは天びんまたは分注モジュールのリファレンスマニュアルを参照してください。マニュアルはオンラインまたはメトラー・トレドのサービス担当者から入手してください。

▶ www.mt.com/XPR-analytical-RM

▶ www.mt.com/XPR-automatic

8.1 一般データ

重量（パッケージを除く）： 470 g

消費電力: 12 V DC \pm 6%、1 A

保護および規準

過電圧カテゴリー: II

汚染等級: 2

使用範囲: 乾燥した室内でのみ、使用してください

環境条件

平均海拔より高い場合: 最大 5000 m

周囲温度: +5 – +40 °C

相対湿度: 31 °Cにおいて20%~80%、40 °Cにおいて50%まで直線的に減少、結露なきこと

保管条件 (パッケージ内)

周囲温度: -25 – +70 °C

相対湿度: 10 - 90%、結露がない場合

9 廃棄

電気・電子機器廃棄物(WEEE)に関する欧州指令2012/19/EUに従い、この機器は生活廃棄物に含めて処分することはできません。これはEU以外の国々に対しても適用されますので、各国の該当する法律に従ってください。



本製品は、各地域の条例に定められた電気・電子機器のリサイクル回収所に廃棄してください。ご不明な点がある場合は、行政の担当部署または購入店へお問い合わせください。この機器が第三者に譲渡される場合、この規制の内容も説明される必要があります。

GWP®

Good Weighing Practice™

GWP® is the global weighing standard, ensuring consistent accuracy of weighing processes, applicable to all equipment from any manufacturer. It helps to:

- Choose the appropriate balance or scale
- Calibrate and operate your weighing equipment with security
- Comply with quality and compliance standards in laboratory and manufacturing

 www.mt.com/GWP

www.mt.com/XPR-automatic

For more information

Mettler-Toledo GmbH

Im Langacher 44
8606 Greifensee, Switzerland
www.mt.com/contact

Subject to technical changes.
© Mettler-Toledo GmbH 01/2022
30491801C en, de, es, fr, zh, ja



30491801