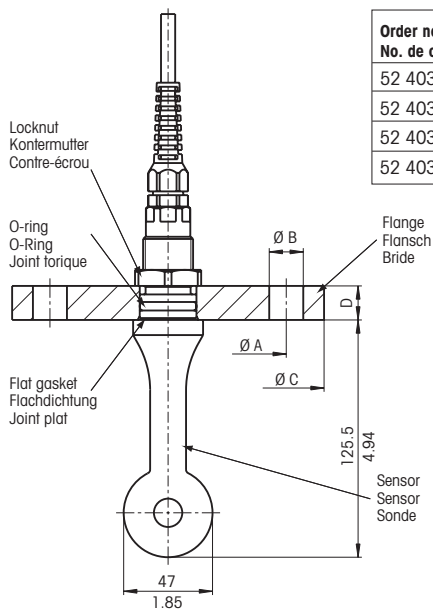


**Process adapters – InPro® 7250 Series**  
**Prozessadapter – InPro® 7250 Serie**  
**Raccords procédés – série InPro® 7250**

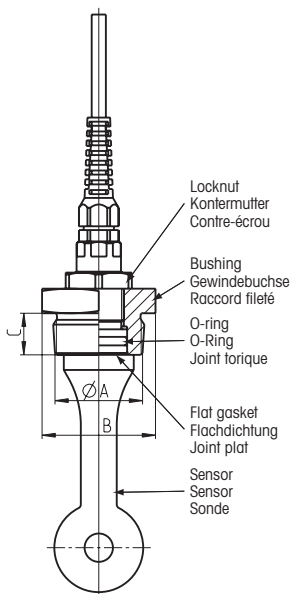
**METTLER TOLEDO**

**InPro 7250 series – flange dimensions**  
**InPro 7250 Serie – Flanschabmessungen**  
**Série InPro 7250 – dimensions bride**



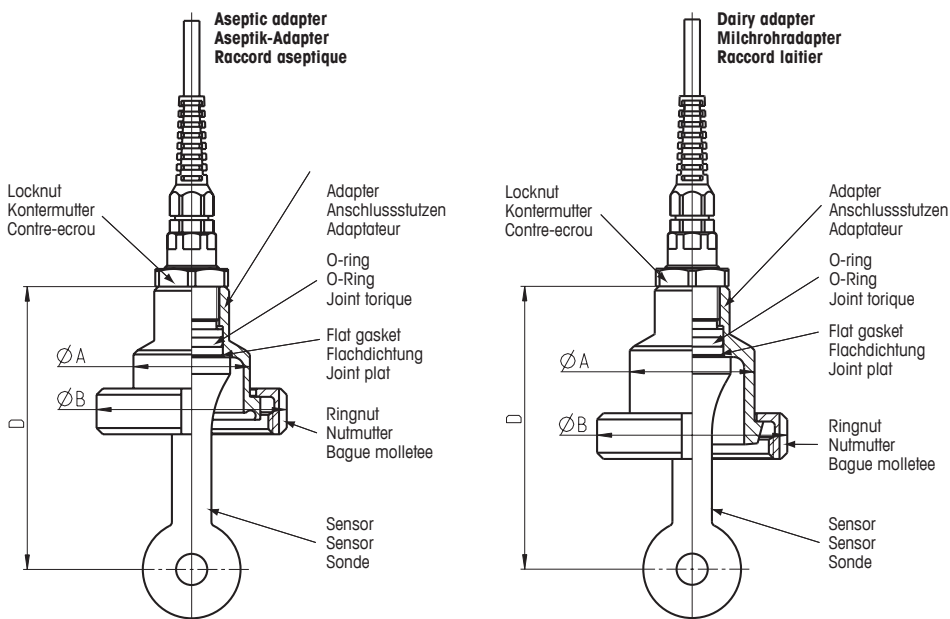
Order no. / Bestellnr. / No. de commande	Designation / Bezeichnung / Désignation	Ø A	Ø B	Ø C	D
52 403 565	Flange / Flansch / Bride DN50/PN16	125 (4.92")	4x18 (0.71")	165 (6.50")	18 (0.71")
52 403 566	Flange / Flansch / Bride DN100/PN16	180 (7.09")	8x18 (0.71")	220 (8.66")	20 (0.79")
52 403 567	Flange / Flansch / Bride ANSI 2"	120.7 (4.75")	4x19.1 (0.75")	152.4 (6.00")	19.1 (0.75")
52 403 569	Flange / Flansch / Bride ANSI 3"	152.4 (6.00")	4x19.1 (0.75")	190.5 (7.50")	23.9 (0.94")

**InPro 7250 series – bushing dimensions**  
**InPro 7250 Serie – Abmessungen Gewindebuchse**  
**Série InPro 7250 – dimensions raccords filetés**



Order no. / Bestellnr. / No. de commande	Designation / Bezeichnung / Désignation	Ø A	B	C
52 403 446	Threaded bushing / Gewindebuchse / Raccord fileté R 1 1/2"	R 1 1/2"	SW60	22 (0.87")
52 403 447	Threaded bushing / Gewindebuchse / Raccord fileté R 1 1/2" PVDF	R 1 1/2"	SW60	22 (0.87")
52 403 448	Threaded bushing / Gewindebuchse / Raccord fileté R 2"	R 2"	SW75	24 (0.95")
52 403 449	Threaded bushing / Gewindebuchse / Raccord fileté R 2" PVDF	R 2"	SW75	24 (0.95")
52 403 450	Threaded bushing / Gewindebuchse / Raccord fileté 1 1/2" NPT	1 1/2" NPT	SW60	22 (0.87")
52 403 451	Threaded bushing / Gewindebuchse / Raccord fileté 1 1/2" NPT PVDF	2" NPT	SW60	22 (0.87")
52 403 452	Threaded bushing / Gewindebuchse / Raccord fileté 2" NPT	2" NPT	SW75	24 (0.95")
52 403 453	Threaded bushing / Gewindebuchse / Raccord fileté 2" NPT PVDF	2" NPT	SW75	24 (0.95")

**InPro 7250 series – sanitary adapter dimensions**  
**InPro 7250 Serie – Abmessungen hygienesichere Adapter**  
**Série InPro 7250 – dimensions raccords sanitaires**



Order no. / Bestellnr. / No. de commande	Designation / Bezeichnung / Désignation	DIN	Ø A	Ø B	D
52 403 583	Dairy adapter / Milchrohradapter / Raccord laitier DN50	11851	60 (2.36")	92 (3.62")	136 (5.35")
52 403 584	Aseptic adapter / Aseptik-Adapter / Raccord aseptique DN50	11864-1	56 (2.20")	92 (3.62")	136 (5.35")

**InPro 7250 series – spare parts**  
**InPro 7250 Serie – Ersatzteile**  
**Série InPro 7250 – pièces de rechange**

Order no. / Bestellnr. / No. de commande	Designation / Bezeichnung / Désignation
52 750 171	O-ring / O-Ring / Joint torique
52 403 432	Flat gasket / Flachdichtung / Joint plat
52 403 433	Locknut / Kontermutter / Contre-écrou

For addresses of METTLER TOLEDO Market Organizations please go to:  
[www.mt.com/pro-MOs](http://www.mt.com/pro-MOs)