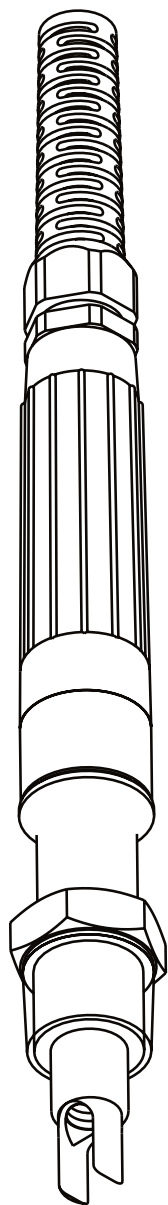
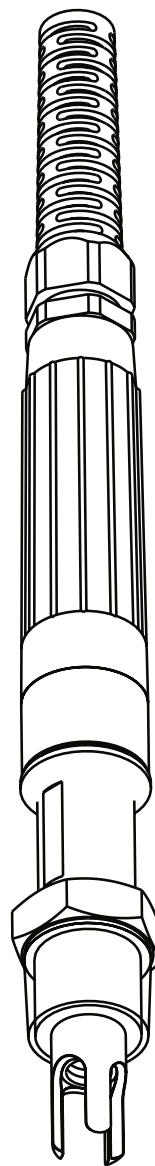


Insertion Housing



easyFit 21



easyFit 22

English Page 3

Deutsch Seite 14

Français Page 26

easyFit is a trademark of the METTLER TOLEDO Group.

© It is forbidden to reprint this Instruction Manual in whole or part. No part of this manual may be reproduced in any form, or modified, copied or distributed using electronic systems, in particular in the form of photocopies, photographs, magnetic or other recordings, without written consent of Mettler-Toledo GmbH, Process Analytics, CH-8902 Urdorf, Switzerland.
All rights reserved, in particular reproduction, translation and patenting/registration.

How to use this Instruction Manual

This Instruction Manual is an integral part of the METTLER TOLEDO easyFit™ housings and contains notes and instructions that are important for safety and operation.

All persons working on or with the easyFit housing must have first read and understood the sections appropriate to the work in hand.

Please read this Instruction Manual carefully before using the housing.



Caution! Please first read Section 1 "Introduction" and Section 2 "Safety instructions".

Use of warnings and symbols



Danger! Warning of a dangerous situation that can lead to death or severe injury, or cause extensive material damage.



Caution! Warning of a possibly dangerous situation that can lead to light bodily harm and/or material damage.



Attention: Information referring to technical requirements. Non-adherence can lead to mal-function, uneconomic working and possibly also to loss of productivity.

Explanation of housing designations

The generic term easyFit Series used in this Instruction Manual refers to:

- **easyFit** – Insertion housing for pH/Redox electrodes with gel-type or polymer electrolyte, O₂ and conductivity sensors (with 12 mm diameter and Pg 13.5 thread).

easyFit

Instruction Manual

Contents

1	Introduction	5
2	Safety.....	5
2.1	Introduction	5
2.2	Intended use	5
2.3	Product-specific hazards	6
2.3.1	Removal of electrode/sensor	6
2.3.2	Manipulation and maintenance work on the housings	6
2.3.3	Plastic housings.....	6
2.3.4	Installation in pressurized systems	7
2.4	Residual hazards	7
2.4.1	Leaky connections.....	7
2.4.2	Medium residues.....	7
2.4.3	Heat protection.....	7
2.4.4	External impacts.....	8
2.5	Emergency measures.....	8
2.6	Safety measures	8
2.7	Modifications	8
3	Technical drawing	9
4	Product description.....	9
5	Installation and start-up	10
5.1	Preparation of the equipment	10
5.2	Installation and initial use.....	10
5.3	Dismantling work	10
5.3.1	Removing the insertion housing	10
6	Operation	11
6.1	Important information for everyday operation	11
6.2	Cleaning the electrode/sensor	11
7	Maintenance	11
7.1	Important information on maintenance.....	11
7.2	Replacement of medium wetted seals	11
8	Product specifications	12
8.1	Technical data.....	12
8.1.1	Technical specifications easyFit.....	12
9	Terms of warranty.....	13
10	Decommissioning, storage, disposal.....	13
10.1	Decommissioning	13
10.1.1	Repair.....	13
10.2	Storage	13
10.3	Disposal.....	13

1 Introduction

- The insertion housing easyFit is safe to operate and has been tested by METTLER TOLEDO and dispatched ready for installation.
- Before starting to use the housing, carefully read this Instruction Manual: the safety precautions and warnings contained in it must be observed.

In addition to this Instruction Manual please also note the following:

- All local safety regulations.
- All instructions and warning remarks in the publications of the products that are used in conjunction with the insertion housing (electrodes, sensors, etc.).

2 Safety

2.1 Introduction

The Instruction Manual contains the most important information for using the easyFit housings efficiently and in accordance with regulations. A basic condition for safe handling and operation without malfunctions is the knowledge of these safety instructions and the observance of the further warnings in the Instruction Manual.

This Instruction Manual, and in particular the safety regulations, are intended for personnel entrusted with the operation and maintenance of the housings. It is assumed that these persons are familiar with the equipment in which the housing is installed. Therefore, before any work is started with the housing, this Instruction Manual must be read and understood by those persons involved.

The Instruction Manual must be stored where it is constantly accessible and available to any person working with the easyFit housing.

On receipt of the shipment, check immediately:

- The housing and accessories for any sign of transport damage. Report any damage immediately to the carrier and to your supplier.
- The type designation on the housing body.

2.2 Intended use

The insertion housings easyFit are intended solely for measurement tasks in conjunction with the specified METTLER TOLEDO electrodes/sensors, namely pH and Redox (ORP) combination electrodes as well as oxygen, and conductivity. Use the housings only for this purpose.

The following are also part of the stipulations for the correct and appropriate use of the housings:

- Compliance with the instructions, regulations and information contained in this Instruction Manual.
- Adherence to the prescribed inspection and maintenance/servicing intervals.
- Correct maintenance of the housings.

- Operation in compliance with prevailing regulations concerning the environmental and operating conditions as well as with the admissible mounting positions.
- Observance of local legislation.



Danger! The housing must be operated only with the specified electrodes/sensors. The absence or the installation of an inappropriate electrode/sensor may adversely affect the resistance to pressure and temperature, the chemical resistance and the protection against explosion.

2.3 Product-specific hazards

2.3.1 Removal of electrode/sensor



Danger! The electrode or sensor must be removed only after the piping/vessel has been depressurized and emptied. Otherwise, the removed electrode/sensor may cause the process medium to escape thus presenting a severe danger to persons, material and the environment. Any toxic or aggressive medium may cause severe poisoning or causticization.



Note: Any broken sensor or defective/cut O-ring must be replaced without delay.



Danger! Broken sensors prevent accurate measurements and thus adversely affect process safety.

2.3.2 Manipulation and maintenance work on the housings



Attention: Before dismantling an insertion housing or commencing any maintenance work on it, ensure that the equipment in which the insertion housing is installed is in a safe condition (depressurized, explosion-proof, emptied, rinsed, vented, etc.). Insertion housings may only be stripped down after having been completely dismantled.

Manipulation of the sensor and the housing may only take place after it has been ensured that no process medium can escape through the housing in the event of incorrect manipulation. For this reason, the complete system must be emptied and vented in advance (safe condition).

It is mandatory to wear personal protective outfit such as protective goggles and clothing. Only maintenance and repair work specified in this Instruction Manual may be performed on the insertion housing.

Exclusively use genuine spare parts from METTLER TOLEDO when replacing defective components.



Danger! Non-compliance with the prescribed maintenance instructions may endanger personnel and the environment.

2.3.3 Plastic housings



Attention:

- Insertion housings made of plastic do not have the same mechanical resistance as steel housings.

- Insertion housings made of plastic require more frequent servicing than steel housings.
- Defective components may be replaced by an authorized service center only.



Danger! Plastic housings may not be used in applications subject to high mechanical stress as this could break the protective cage.

2.3.4 Installation in pressurized systems



Attention: The specified maximum temperature and pressure must not be exceeded. The respective specifications depend on the design and type of housing and are given on the individual type plates.



Danger! If temperature and pressure limits are exceeded, there is a risk to the integrity of the system, thus presenting a potential threat to human life and to the environment.



Attention: Ample specifications of maximum admissible temperature and pressure are given in "Section 8".

2.4 Residual hazards



Attention: Despite all precautionary measures taken, residual hazards still remain.

2.4.1 Leaky connections

- Connections can become loose through the effects of vibration.
- The connection between housing and process adaptor is a potential source of leakage.



Attention: The connections between the housing and the process adaptor must be checked regularly by the customer/operator, and kept in full working condition.



Danger! Leaky connections can cause the process medium to escape to the environment, presenting a hazard for persons and the environment.

2.4.2 Medium residues



Danger! When retracting/replacing an electrode/sensor, small quantities of process medium will remain at the electrode/sensor. If the medium is a toxic or environmentally harmful substance, or contains pathogenic germs, then such contamination must be removed and disposed of in accordance with the applicable regulations!

2.4.3 Heat protection



Danger! The housing is not equipped with heat protection. During steam-sterilization procedure, the surface of the housing can reach high temperatures and cause burns.

2.4.4 External impacts



Attention: Objects falling on the housing can damage or destroy the unit, or cause leaks etc.

2.5 Emergency measures



Attention: Always observe and comply with local regulations!

2.6 Safety measures

Always observe and comply with local laws and regulations! These are not an integral part of this Instruction Manual.

It is mandatory to wear protective equipment such as protective goggles and protective clothing. Aggressive process medium escaping from the system may be hazardous to persons or the environment.

The operator is responsible for the instruction of personnel.

The operator must inform the supplier/manufacturer of the insertion housing immediately about any safety-relevant incidents, or observations made, during use of the housing.

Incorrect manipulation and/or instruction errors can lead to potential hazards for persons and for the environment.

Before every start-up, the insertion housing must be checked for:

- Damage to the connections, fastenings, etc.
- Leakage
- Defective cables and lines etc.
- Authorization for use of the housing in conjunction with the associated plant resources.



Danger! Defective insertion housings must neither be installed nor put into operation. Leakage and inappropriate installation may lead to the escape of medium and cause a potential threat to life (including the risk of explosion).

2.7 Modifications

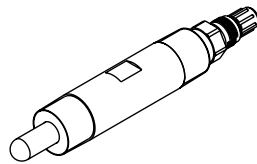
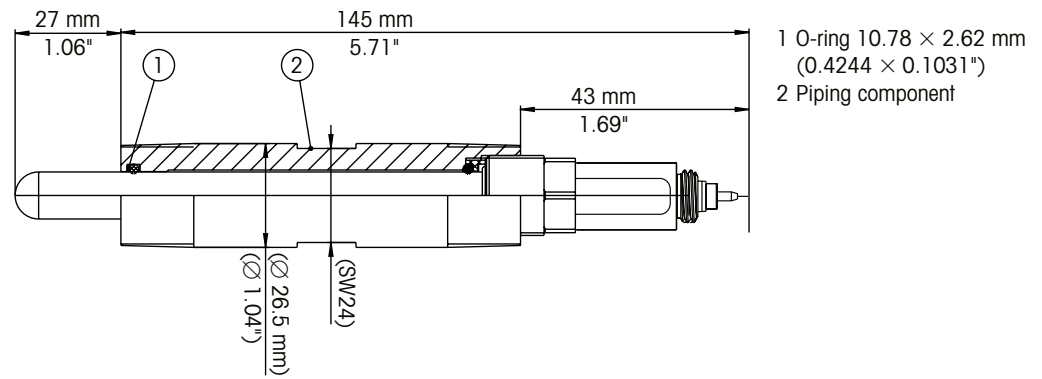


Attention: No attachments or modifications to the insertion housings are allowed.



Danger! The manufacturer/supplier accepts no responsibility for any damage caused by unauthorized attachments and alterations or for the incorporation of spare parts which are not of METTLER TOLEDO provenance. The risk is borne entirely by the operator.

3 Technical drawing



4 Product description

The printed markings on each easyFit housing contain the following information:

- A METTLER TOLEDO
Manufacturer
- B Order No. 52 XXX XXX
Order number
- C SNR: XXXXXXX
Serial number
- D PS:/TS:
Pressure and temperature specifications
- E Material
Kind of material (CPVC or SS)

5 Installation and start-up

5.1 Preparation of the equipment

Our welding instructions (included in the supply of the original METTLER TOLEDO socket) for the weld-in socket must be fully complied with, as otherwise the process connection can be untight (leak) or the pressure resistance insufficient.

In order to ensure correct function of the insertion housing, please observe the following installation instructions:

- The insertion housing can be mounted vertically or in an inclined position. In the case of inclined mounting, the angle of the housing must be equal to or greater than 15° above the horizontal.

5.2 Installation and initial use

Before startup, all fitting and installation work must have been completed!

- Each time before startup, check the measuring system.
- Inspect the electrode/sensor assembly and examine housing and system for leaks.
- Do not commence operation until the measuring system has been checked and any necessary corrective action taken.

To relieve the system from the compensation pressure slightly loosen the valve insert or disconnect and purge the pressure supply.

5.3 Dismantling work

5.3.1 Removing the insertion housing

Put the system into which the housing is incorporated in a safe state (depressurized, emptied, rinsed, purged, vented, etc.).

Then, loosen the appropriate connection and withdraw the housing.

6 Operation

6.1 Important information for everyday operation

During operation:

- Never remove fastening components (screws/bolts of flange, cap nut, etc.).
- If any malfunction occurs during operation, the equipment in which the housing is installed must first be made safe before any corrective measures are taken.
- For all work on the equipment during everyday operation, wear the stipulated protective clothing (protective goggles, gloves, breathing apparatus, etc.).

6.2 Cleaning the electrode/sensor

The electrode/sensor must be cleaned before removal, before calibration of the measurement system or at regular intervals during operation (depending on the process medium).

7 Maintenance

7.1 Important information on maintenance



Caution! The process medium may be harmful to your health and/or the environment (toxic, caustic, etc.). For this reason you have to put the system into a safe state before starting any maintenance work.

Always keep electrode/sensor, housing and socket clean.

Replace defective seals and other components without delay.

Maintenance and service work on the housings may only be carried out by appropriately trained personnel.

Only original spare parts from METTLER TOLEDO may be used, otherwise all guarantees become automatically invalid.

7.2 Replacement of medium wetted seals

All medium-wetted seals should be replaced at least every 6 months for reasons of safety. With aggressive media, the seals may need to be replaced at correspondingly shorter intervals. Medium-wetted seals must be examined at least once a month, as well as during normal maintenance procedures, to check for soiling or damage.



Attention: Seals are wearing parts which must be regularly examined by the operator of the housing, and replaced if necessary (dependent upon application).

Replacement of medium-wetted seals

METTLER TOLEDO recommends that medium-wetted seals should under all circumstances be replaced at least every 6 months.

Check on medium-wetted seals

METTLER TOLEDO recommends that medium-wetted seals should under all circumstances be examined and checked every 3 months.

In the case of aggressive or abrasive media, the seals may need to be checked/replaced at shorter intervals.



Attention: Recommendations by METTLER TOLEDO concerning maintenance intervals are based solely on experience gained in standard applications and in no way binding or an admission of any guarantee liability whatsoever on the part of the manufacturer/supplier. Depending upon the degree of aggressiveness of the process medium, the necessary maintenance intervals to support smooth operation of the equipment may be correspondingly shorter.



Attention: All O-rings are made of FDA approved materials.

**Caution!**

- Insertion housings may only be stripped down for maintenance and repair work after having being completely dismantled from the equipment in which they were installed for operation.
- Only perform the dismantling work described under 5.3 and instructed in this Section and replace only the seals listed above. Check that the correct types of seals have been selected, examine for any signs of damage and for correct seating.

8 Product specifications

8.1 Technical data

8.1.1 Technical specifications easyFit



Note: the technical specifications of the installed sensor must be taken into consideration.

Ambient conditions

Temperature	easyFit 21	–5 ... 80 °C 23 ... 176 °F
	easyFit 22	–5 ... 100 °C 23 ... 212 °F

Process conditions

Housing	Material	Max. admissible pressure [PS] / [TS]: (linear relation with plastic housings)
easyFit 21	CPVC	7.0 bar at 65 °C 100 psig at 149°F
		3.5 bar at 80 °C 50 psig at 176°F
easyFit 22	1.4404	10 bar at 100 °C 145 psig at 212°F

9 Terms of warranty

The housings employ state-of-the-art technology and are very reliable. They are permanently revised to meet the latest technical evolutions and leave the factory only after having passed thorough quality testing. The warranty period of 12 months starts from the date of delivery. The warranty covers all defects due to faulty material or manufacturing.

Normal wear or damage caused by inadequate use (such as chemical incompatibility, etc.) are not covered by the warranty. In any case, the warranty is limited to the replacement or repair of faulty products, depending on manufacturer's choice. The warranty is void if the customer or any third party apply modifications to products supplied by METTLER TOLEDO. Any defect that may be subject to warranty must be reported to the supplier without delay or, at the latest, before the warranty period ends.

10 Decommissioning, storage, disposal



Caution! The safety notes in Section 2 «Safety» must be observed. Decommissioning may only be carried out by persons with appropriate training or by skilled technicians.

10.1 Decommissioning

10.1.1 Repair

If you cannot remedy a problem on the spot send the housing to your local distributor, together with an ample description of the problem.



Caution! To protect our service staff, housings that have been in touch with toxic or otherwise dangerous substances must be thoroughly cleaned and clearly marked before dispatching.

10.2 Storage

Store the easyFit in a dry place.

10.3 Disposal



Environmental protection

Waste electrical products should not be disposed of with household waste. Please recycle where facilities exist. Check with your Local Authority or retailer for recycling advice.

Verwendung dieser Bedienungsanleitung

Diese Bedienungsanleitung ist integrierender Bestandteil der Armaturen easyFit™ und enthält wichtige Hinweise und Instruktionen für die Sicherheit und den Betrieb.

Alle Personen, die an und mit den easyFit Armaturen Arbeiten ausführen, müssen vorgängig die für ihre Tätigkeit relevanten Kapitel gelesen und verstanden haben.

Lesen Sie diese Bedienungsanleitung vor Gebrauch der Armatur sorgfältig durch.



Vorsicht! Lesen Sie zuerst die Kapitel 1 «Einleitung» und 2 «Sicherheit»!

Verwendung von Warnhinweisen und Symbolen



Gefahr! Warnung vor einer Gefahr, die zu hohem Sachschaden, zum Tode oder zu schweren Körperverletzungen führen kann.



Vorsicht! Warnung vor einer möglicherweise gefährlichen Situation, welche zu leichten Körperverletzungen und/oder Sachschäden führen kann.



Hinweis: Informationen, die auf technische Erfordernisse hinweist. Nichtbeachtung kann zu Störungen, Unwirtschaftlichkeit und ev. zu Produktionsverlusten führen.

Begriffsklärung

Die in dieser Betriebsanleitung verwendete allgemeine Bezeichnung easyFit Serie bezieht sich auf Armaturen des folgenden Typs:

- **easyFit** – Einbauarmatur für pH/Redox-Elektroden mit Gel- oder Polymerelektrolyt, O₂- und Leitfähigkeits-Sensoren (Durchmesser 12 mm und Pg 13.5-Gewinde).

easyFit ist ein Markenzeichen der METTLER TOLEDO Gruppe.

© Der Nachdruck dieser Bedienungsanleitung, auch auszugsweise, ist verboten.

Ohne schriftliche Bewilligung der Firma Mettler-Toledo GmbH, Process Analytics, CH - 8902 Urdorf, Schweiz, dürfen keine Teile davon in irgendeiner Form reproduziert oder unter Anwendung elektronischer Systeme, insbesondere in Form von Fotokopien, Fotos, Magnetverfahren oder anderen Aufzeichnungsarten, verarbeitet, vervielfältigt oder verbreitet werden.

Alle Rechte, insbesondere das Recht der Vervielfältigung und Übersetzung sowie Patent- oder Registrierungsrechte, sind vorbehalten.

easyFit

Bedienungsanleitung

Bedienungsanleitung

1	Einleitung	16
2	Sicherheit	16
2.1	Einleitung	16
2.2	Bestimmungsgemäße Verwendung	16
2.3	Produktspezifische Gefahren	17
2.3.1	Sensorausbau	17
2.3.2	Manipulationen und Unterhaltsarbeiten an der Armatur	17
2.3.3	Kunststoffarmaturen	18
2.3.4	Installation in druckbeaufschlagten Systemen	18
2.4	Sicherheitsmassnahmen	18
2.4.1	Gefahrenhinweise	18
2.4.2	Lose Verbindungen	18
2.4.3	Prozessmediumrückstände	19
2.4.4	Hitzeschutz	19
2.4.5	Externe Kraffeinwirkungen	19
2.5	Massnahmen im Notfall	19
2.6	Sicherheitsmassnahmen	19
2.7	Modifikationen	20
3	Technische Zeichnung	20
4	Produktbeschreibung	21
5	Installation und Inbetriebnahme	21
5.1	Anlage vorbereiten	21
5.2	Inbetriebnahme der Armatur	21
5.3	Ausbauarbeiten	21
5.3.1	Ausbau der Armatur	21
6	Betrieb	22
6.1	Wichtige Hinweise zum täglichen Betrieb	22
6.2	Reinigen der Elektroden/Sensoren	22
7	Unterhalt	22
7.1	Wichtige Hinweise zum Unterhalt	22
7.2	Medium berührende Dichtungen ersetzen	22
8	Produktspezifikationen	23
8.1	Technische Daten	23
8.1.1	Technische Spezifikationen easyFit	23
9	Garantiebestimmungen	24
10	Ausserbetriebsetzung, Lagerung, Entsorgung	25
10.1	Ausserbetriebsetzung	25
10.1.1	Reparatur	25
10.2	Lagerung	25
10.3	Entsorgung	25

1 Einleitung

- Die Armaturen easyFit sind betriebssicher und wurden bei METTLER TOLEDO geprüft und montagefertig versandt.
- Vor Inbetriebnahme der Armatur ist die Bedienungsanleitung aufmerksam durchzulesen und die darin enthaltenen Sicherheitshinweise und Warnungen sind zu beachten.

In Ergänzung zu dieser Bedienungsanleitung beachten Sie bitte:

- Alle lokalen Sicherheitsvorschriften.
- Alle Hinweise und Warnvermerke in den Publikationen zu den Produkten, welche zusammen mit der Armatur verwendet werden (Elektroden/Sensoren etc.).

2 Sicherheit

2.1 Einleitung

Diese Bedienungsanleitung enthält die wichtigsten Angaben, um die Armaturen easyFit sicher und bestimmungsgemäss einzusetzen. Grundvoraussetzung für den sicherheitsgerechten Umgang und den störungsfreien Betrieb ist die Kenntnis dieser Sicherheitsvorschriften und die Beachtung der weiteren Warnhinweise in der Bedienungsanleitung.

Diese Bedienungsanleitung, insbesondere die Sicherheitsvorschriften, richtet sich an das mit der Bedienung und der Instandhaltung der Armaturen betraute Personal. Es wird vorausgesetzt, dass diese Personen Kenntnisse der Anlage besitzen, in der die Armatur eingebaut ist. Die Betriebsanleitung muss deshalb vor Beginn von Arbeiten an der Armatur von den betreffenden Personen gelesen und verstanden werden.

Die Bedienungsanleitung muss ständig griffbereit aufbewahrt werden und für jede Person, die mit der easyFit arbeitet, zugänglich sein.

Überprüfen Sie bei Erhalt der Lieferung:

- Die Armaturen und Zubehör auf Transportschäden. Allfällige Schäden melden Sie umgehend dem Transportunternehmen und Ihrem Lieferanten.
- Die Typenangabe auf dem Armaturegehäuse.

2.2 Bestimmungsgemässe Verwendung

Die Armaturen easyFit sind ausschliesslich zur Messung mit den spezifizierten METTLER TOLEDO Elektroden/Sensoren bestimmt, namentlich pH- und Redox-Einstabmessketten sowie Sauerstoff- und Leitfähigkeits-Sensoren. Verwenden Sie die Armaturen ausschliesslich für diesen Zweck.

Zur bestimmungsgemässen Verwendung gehören zudem:

- Die Beachtung der Anweisungen, Vorschriften und Hinweise in der vorliegenden Bedienungsanleitung.
- Die Einhaltung der vorgeschriebenen Inspektions- und Wartungsintervalle.
- Die korrekte Instandhaltung der Armatur.

- Der Betrieb unter Beachtung der vorgeschriebenen Umwelt- und Betriebsbedingungen und den zulässigen Einbaulagen.
- Die Einhaltung der örtlichen Gesetzgebung.



Gefahr! Die Armatur darf nur mit den vorgesehenen Elektroden/Sensoren betrieben werden. Wenn kein Sensor oder ein falscher Sensor eingebaut wird, kann das zu Reduzierung der Beständigkeiten (Druck, Temperatur, chemische Beständigkeiten und Explosionsschutz) und somit zu Undichtheit/Explosionsgefahr der Armatur führen, was Mensch und Umwelt gefährden kann.

2.3 Produktspezifische Gefahren

2.3.1 Sensorausbau



Gefahr! Die Elektrode bzw. der Sensor darf nur ausgebaut werden, wenn die Leitung/Behälter in einem drucklosen und entleerten Zustand ist. Ansonsten besteht die Gefahr, dass Prozessmedium in die Umgebung gelangt, weil bei fehlender Elektrode/Sensor ein freier Durchgang zum Messmedium entstehen kann. Dadurch entsteht eine Gefahr für Umwelt, Mensch und Material. Giftiges oder aggressives Medium kann zu lebensbedrohlichen Vergiftungen oder Verätzungen führen.



Hinweis: Ein Sensor der gebrochen ist oder ein defekter/zerschnittener O-Ring, müssen ausgetauscht werden.



Gefahr! Ein gebrochener Sensor gefährdet die Prozesssicherheit, weil keine verbindlichen Messresultate erzielt werden können.

2.3.2 Manipulationen und Unterhaltsarbeiten an der Armatur



Hinweis: Bevor Sie Unterhaltsarbeiten an der Armatur ausführen bzw. einen Ausbau derselben vornehmen, bringen Sie die Anlage, in welcher die Armatur eingebaut ist, in einen gefahrlosen Zustand (drucklos machen, explosionssicher, entleeren, spülen, ent- oder belüften, etc.). Das Zerlegen der Armatur darf nur im ausgebauten Zustand erfolgen.

Manipulationen am Sensor und an der Armatur dürfen nur dann ausgeführt werden, wenn sichergestellt ist, dass kein Prozessmedium durch Fehlmanipulation durch die Armatur austreten kann. Aus diesem Grund ist das gesamte System vorgängig zu entleeren und zu ent- bzw. belüften (gefahrenloser Zustand).

Das Tragen von persönlicher Schutzausrüstung wie Schutzbrille und Schutzkleidung ist grundsätzlich erforderlich.

An der Armatur dürfen nur Wartungs- und Reparaturarbeiten ausgeführt werden, welche in dieser Anleitung stehen.

Für den Austausch von defekten Komponenten müssen Original-Ersatzteile von METTLER TOLEDO verwendet werden.



Gefahr! Bei Nichtbefolgung der Unterhaltsvorschriften können Menschen und Umwelt gefährdet werden.

2.3.3 Kunststoffarmaturen

**Hinweis:**

- Kunststoffarmaturen weisen keine so hohe mechanische Belastbarkeit wie Stahlarmaturen auf.
- Kunststoffarmaturen müssen häufiger als Stahlarmaturen gewartet werden.
- Defekte Komponenten müssen durch eine autorisierte Servicestelle ausgetauscht werden.

Gefahr! Kunststoffarmaturen dürfen in keinem Fall für Applikationen mit hoher mechanischer Beanspruchung eingesetzt werden, weil dies zu Brüchen des Schutzkorbes führen kann.

2.3.4 Installation in druckbeaufschlagten Systemen



Hinweis: Max. zulässige Temperatur und Druckspezifikationen dürfen nicht überschritten werden. Die aufgeführten Angaben sind von Bauart und Typ abhängig. Die typenspezifischen Angaben müssen dem Typenschild an der Armatur entnommen werden.



Gefahr! Wenn die Temperatur und Druckangaben überschritten werden, besteht die Gefahr von Undichtheit des Systems, was zu Lebensgefahr für Mensch und Umwelt führen kann.



Hinweis: Die genauen Spezifikationen für max. zulässigen Druck und Temperatur sind dem «Kapitel 8» zu entnehmen.

2.4 Sicherheitsmassnahmen



Hinweis: Die lokalen Gesetze und Vorschriften müssen immer beachtet werden. Sie sind nicht Bestandteil dieser Bedienungsanleitung.

2.4.1 Gefahrenhinweise



Hinweis: Auch wenn alle Sicherheitsvorschriftenseitens METTLER TOLEDO eingehalten wurden, gibt es weitere Gefahrenquellen.

2.4.2 Lose Verbindungen

- Verbindungen können durch Vibrationen locker werden.
- Die Verbindung zwischen dem Gehäuse und dem Prozessanschluss ist eine mögliche Leckstelle.



Hinweis: Die Verbindung zwischen dem Gehäuse- und dem Prozessanschluss muss regelmässig vom Kunden/Benutzer überprüft werden und der korrekte Zustand muss sichergestellt werden.



Gefahr! Lose Verbindungen können den Austritt des Prozessmediums zur Folge haben. Dies kann zu Personen- und Umweltschäden führen.

2.4.3 Prozessmediumrückstände



Gefahr! Beim Herausfahren/Ersetzen einer Elektrode/eines Sensors werden möglicherweise geringe Mengen vom Prozessmedium auf der Elektrode/Sensor zurückbleiben. Falls das Prozessmedium giftig oder umweltschädlich sein sollte, oder Krankheitserreger enthalten sollte, dann müssten diese Kontaminationen entfernt und gemäss der geltenden Vorschriften entsorgt werden.

2.4.4 Hitzeschutz



Gefahr! Das Gehäuse ist nicht mit einem Hitzeschutz ausgerüstet. Während der Dampfsterilisation kann die Gehäuseoberfläche gefährliche Temperaturen erreichen, die zu Verbrennungen führen können.

2.4.5 Externe Kräfteinwirkungen



Hinweis: Falls Gegenstände auf das Gehäuse fallen sollten oder sonstige Kräfte auf das Gehäuse einwirken sollten, dann kann dies zu Schäden am Gehäuse führen oder eine Leckage verursachen.

2.5 Massnahmen im Notfall



Hinweis: Beachten Sie die örtlichen Vorschriften!

2.6 Sicherheitsmassnahmen

Bitte beachten Sie stets die lokalen Verordnungen und geltenden Gesetze. Diese werden nicht in der vorliegenden Betriebsanleitung beschrieben.

Es ist zwingend erforderlich persönliche Schutzausrüstung, wie eine Sicherheitsbrille oder Schutzkleidung zu tragen. Falls aggressives Prozessmedium vom System austritt, kann das zu Gefahren für Personen und die Umwelt werden.

Der Anwender ist für die Unterweisung des Personals zuständig.

Der Anwender muss den Lieferanten/Hersteller des Einbaugeschäuses informieren, falls es zu sicherheitsrelevanten Vorfällen oder relevanten Beobachtungen während der Verwendung des Systems kam.

Falsche Handhabung und/oder Hinweisungsfehler können möglicherweise zu Personen und Umweltschäden führen.

Vor Inbetriebnahme muss das Einbaugeschäuse überprüft werden auf:

- Schadhafte Verbindung, festen Sitz
- Leckage
- Schadhafte Kabel und Anschlüsse
- Geeignete Verwendung im Rahmen der Anlagevorschriften



Gefahr! Eine defekte Armatur darf weder montiert noch in Betrieb genommen werden. Undichtheit oder nicht ordnungsgemäss installierte Armaturen können durch Austritt von Medium zu lebensbedrohlichen Gefahren führen (inkl. Explosionsgefahr).

2.7 Modifikationen

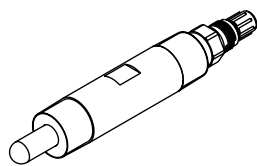
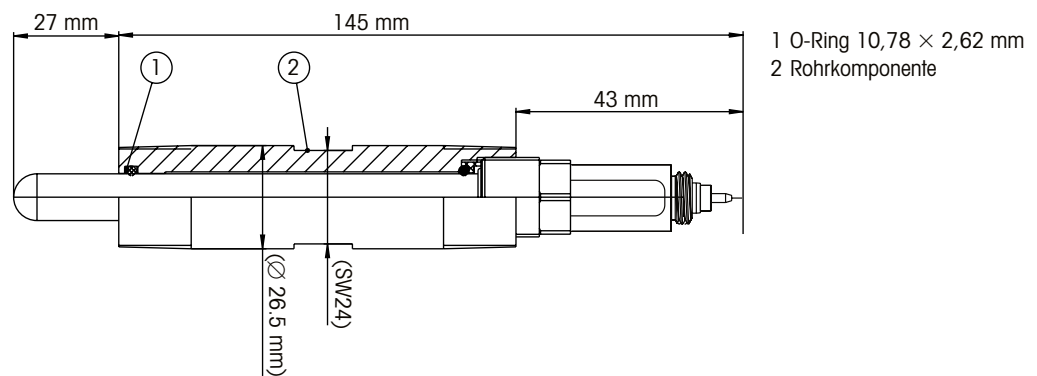


Hinweis: An der Armatur und den Zubehörteilen dürfen keine An- und Umbauten (Modifikationen) vorgenommen werden.



Gefahr! Für Schäden aufgrund unerlaubter An- und Umbauten oder infolge Verwendung von Ersatzteilen, welche nicht von METTLER TOLEDO stammen, haftet der Hersteller/Lieferant nicht. Das Risiko trägt alleine der Betreiber.

3 Technische Zeichnung



4 Produktbeschreibung

Die Etiketten auf den Armaturen enthalten folgende Informationen:

- A METTLER TOLEDO
Hersteller
- B Order No. 52 XXX XXX
Bestellnummer
- C SNR: XXXXXXX
Seriennummer
- D PS:/TS:
Druck- und Temperaturspezifikationen
- E Material
Materialart (CPVC oder SS)

5 Installation und Inbetriebnahme

5.1 Anlage vorbereiten

Um die korrekte Funktion der Armatur zu gewährleisten, beachten Sie bitte die folgenden Hinweise für den Einbau:

- Die Armatur kann senkrecht oder schräg eingebaut werden. Bei schrägem Einbau ist der Winkel zwischen der Armatur und der Horizontalen grösser oder gleich 15° einzuhalten.

5.2 Inbetriebnahme der Armatur



Hinweis: Für die Inbetriebnahme müssen sämtliche Einbau- und Installationsarbeiten abgeschlossen sein.

- Überprüfen Sie vor jeder Inbetriebnahme das Messsystem.
- Überprüfen Sie dabei die Messkette und die Dichtheit von Armatur und Anlage.
- Beginnen Sie mit der Inbetriebnahme erst, nachdem die Kontrolle des Messsystems erfolgt ist und die Mängel behoben wurden.

Der Kompensationsdruck kann durch leichtes Lösen des Ventileinsatzes oder durch Unterbrechen und Entlasten der Druckversorgung abgebaut werden.

5.3 Ausbaurbeiten

5.3.1 Ausbau der Armatur

Anlage, in der die Armatur eingebaut ist, in einen gefahrlosen Zustand bringen (drucklos machen, entleeren, spülen, entlüften, ventilieren, etc.). Lösen Sie dann die entsprechende Verbindung und ziehen Sie die Armatur anschliessend heraus.

6 Betrieb

6.1 Wichtige Hinweise zum täglichen Betrieb

Während des Betriebs:

- Auf keinen Fall Befestigungs-Komponenten (Schrauben/Bolzen des Flansches, Überwurfmutter etc.) entfernen.
- Bei allfälligen Störungen im Betrieb ist die Anlage, in der die Armatur eingebaut ist, in einen gefahrlosen Zustand zu bringen.
- Für alle Arbeiten im täglichen Betrieb muss die vorgeschriebene Schutzkleidung (Schutzbrille, Handschuhe, Atemschutz etc.) getragen werden.

6.2 Reinigen der Elektroden/Sensoren

Die Elektrode/Sensor ist vor dem Ausbau, vor der Kalibrierung des Messsystems oder während dem Betrieb in bestimmten Intervallen (abhängig vom Prozessmedium) zu reinigen.

7 Unterhalt

7.1 Wichtige Hinweise zum Unterhalt



Vorsicht! Das Prozessmedium kann unter Umständen die Umwelt und Ihre Gesundheit gefährden (giftig, ätzend etc.). Bringen Sie deshalb die Anlage in einen gefahrlosen Zustand, bevor Sie mit den Unterhaltsarbeiten beginnen.

Elektrode/Sensor, Armatur und Stutzen müssen in sauberem Zustand gehalten werden. Ersetzen Sie allfällig beschädigte Dichtungen oder Bestandteile sofort.

Wartungs- und Unterhaltsarbeiten an der Armatur dürfen nur von Fachpersonal durchgeführt werden.

Generell dürfen nur Original-Ersatzteile von METTLER TOLEDO verwendet werden, ansonsten entfällt der Anspruch auf Gewährleistung.

7.2 Medium berührende Dichtungen ersetzen

Grundsätzlich sollen die mit dem Medium in Berührung kommenden Dichtungen aus Sicherheitsgründen mindestens einmal alle 6 Monate ersetzt werden. Bei aggressiven Medien sind die Dichtungen in entsprechend kürzeren Intervallen auszutauschen. Medium berührende Dichtungen sind mindestens monatlich sowie bei jeder Wartung auf Verschmutzung und Beschädigung zu kontrollieren.



Hinweis: Dichtungen sind Verschleisssteile und müssen durch den Betreiber der Armatur regelmäßig geprüft und wenn notwendig (applikationsabhängig) ersetzt werden.

Ersatz von Medium berührenden Dichtungen:

METTLER TOLEDO empfiehlt, Medium berührende Dichtungen auf jeden Fall mindestens alle 6 Monate zu ersetzen.

Kontrolle der Medium berührten Dichtungen:

METTLER TOLEDO empfiehlt, Medium berührende Dichtungen auf jeden Fall mindestens alle 3 Monate zu kontrollieren.

Bei aggressiven oder stark abrasiven Medien verkürzen sich die Intervalle entsprechend.



Hinweis: Empfehlungen von METTLER TOLEDO bezüglich Wartungsintervallen basieren auf Erfahrungen in Standardapplikationen und lassen keinen Anspruch des Betreibers auf Garantieleistungen zu. Je nach Aggressivität des Mediums sowie Druck und Temperaturbedingungen können die notwendigen Wartungsintervalle zur Funktionserhaltung der Armatur wesentlich kürzer sein.



Hinweis: Alle Medium berührenden O-Ringe sind aus FDA zugelassenem Material.

**Vorsicht!**

- Das Zerlegen der Armatur für Wartungs- und Reparaturarbeit darf nur im ausgebauten Zustand erfolgen.
- Führen Sie nur die unter 5.3 und hier beschriebenen Demontage- und in diesem Abschnitt aufgeführten Arbeiten aus und ersetzen Sie nur die oben bezeichneten O-Ringe. Achten Sie auf den richtigen Typ, eventuelle Beschädigungen und die korrekte Einbaulage der Dichtungen.

8 Produktspezifikationen

8.1 Technische Daten

8.1.1 Technische Spezifikationen easyFit



Hinweis: Die technischen Spezifikationen des eingebauten Sensors müssen berücksichtigt werden.

Umgebungsbedingungen

Temperatur	easyFit 21	–5 ... 80 °C
	easyFit 22	–5 ... 100 °C

Prozessbedingungen

Armatur	Material	Max. zulässiger Druck [PS] / [TS]: (lineare Abhängigkeit bei Kunststoffarmaturen)
easyFit 21	CPVC	7.0 bar bei 65 °C
		3.5 bar bei 80 °C
easyFit 22	1.4404	10 bar bei 100 °C

9 **Garantiebestimmungen**

Die Armaturen sind technisch hochwertig und verlässlich. Sie werden laufend dem neuesten Stand der Technik angepasst und verlassen unsere Produktionsstätten erst nach eingehender Endkontrolle. Die Garantie umfasst vom Datum der Auslieferung an gerechnet alle innerhalb eines Jahres auftretenden Mängel, die ihre Ursache in Material und/oder Produktionsfehlern haben.

Normale Abnutzungerscheinungen oder Schäden aufgrund unsachgemäßem Einsatz (wie chemische Unverträglichkeit etc.) fallen nicht unter Garantieleistungen. Unsere Garantieleistung beschränkt sich nach unserer Wahl auf Ersatz oder Reparatur der mangelhaften Produkte. Die Garantie erlischt, wenn der Kunde oder Dritte an den von uns gelieferten Produkten Änderungen vornehmen.

Festgestellte Mängel sind umgehend, in jedem Fall aber innerhalb der Garantiefrist, dem Lieferanten mitzuteilen.

10 **Ausserbetriebsetzung, Lagerung, Entsorgung**



Vorsicht! Beachten Sie Kapitel 2 «Sicherheit». Die Ausserbetriebsetzung darf nur durch ausgebildetes Personal oder durch Fachkräfte vorgenommen werden.

10.1 **Ausserbetriebsetzung**

10.1.1 **Reparatur**

Falls Sie ein Problem nicht beheben können, senden Sie die Armatur mit genauem Beschrieb an Ihre lokale Vertretung.



Vorsicht! Armaturen, welche mit giftigen oder gefährlichen Stoffen in Berührung waren, müssen vorab gründlich gereinigt und zusätzlich klar gekennzeichnet werden zwecks Schutz unseres Service-Personals.

10.2 **Lagerung**

Lagern Sie die easyFit an einem trockenen Ort.

10.3 **Entsorgung**



Umweltschutz

Elektroaltgeräte dürfen nicht zusammen mit dem Hausmüll entsorgt werden. Bitte führen Sie diese möglichst Einrichtungen zur Wiederverwertung zu. Wenden Sie sich an Ihre zuständige Behörde oder Ihren Fachhändler, um Hinweise zur Wiederverwertung zu erhalten.



Utilisation des présentes instructions d'utilisation

Les présentes instructions d'utilisation font partie constituante des supports easyFit™ de METTLER TOLEDO e et contiennent des consignes et des instructions importantes pour la sécurité et l'exploitation.

Il est indispensable que toutes les personnes qui sont appelées à travailler sur et avec les supports easyFit e aient lu auparavant et compris tous les chapitres essentiels concernant leur activité.

Avant l'utilisation du support, lisez attentivement les présentes instructions d'utilisation.



Attention! Consulter d'abord les chapitres 1 « Introduction » et 2 « Sécurité »!

Utilisation de mises en garde et de symboles



Danger! Avertissement d'un danger susceptible d'entraîner de lourds dégâts matériels, des blessures graves, voire la mort de personnes.



Prudence! Mise en garde contre une situation potentiellement dangereuse susceptible d'entraîner des blessures légères et/ou des dégâts matériels.



Indication: Information relative à des exigences techniques. Son non-respect peut causer des pannes, un défaut de rentabilité et d'éventuelles pertes de production.

- **easyFit** – Supports à immersion explanation easyFit pour électrodes pH/ORP avec électrolyte gélifié ou polymère, sondes de conductivité et O₂, (à diamètre de 12 mm, comportant un filetage Pg 13.5)

easyFit est une marque du groupe METTLER TOLEDO.

© Toute reproduction de ces instructions d'utilisation, même partielle, est interdite. Sans l'autorisation écrite de la maison Mettler-Toledo GmbH, Process Analytics, CH - 8902 Urdorf, Suisse, aucune forme de reproduction, de traitement, de photocopie et de diffusion par système électronique d'une partie des présentes Instructions d'utilisation, en particulier sous forme de photocopies, photos, procédé magnétique ou autres procédés d'enregistrement n'est autorisée.

Tous les droits, en particulier les droits de photocopie, de traduction, de patente et d'enregistrement sont réservés.

easyFit

Manuel d'instruction

Table des matières

1	Introduction	28
2	Sécurité	28
2.1	Introduction	28
2.2	Utilisation conforme aux prescriptions	28
2.3	Risques spécifiques au produit	29
2.3.1	Dépose de l'électrode/sonde	29
2.3.2	Manipulations et travaux d'entretien au support	29
2.3.3	Supports en plastique	30
2.3.4	Installation dans systèmes sous pression	30
2.4	Risques résiduels	30
2.4.1	Raccordements inétanches	30
2.4.2	Résidus de milieu	31
2.4.3	Protection thermique	31
2.4.4	Impacts	31
2.5	Mesures à prendre en cas d'urgence	31
2.6	Mesures de sécurité	31
2.7	Modifications	32
3	Dessin technique	32
4	Description du produit	32
5	Installation et mise en service	33
5.1	Préparation de l'installation	33
5.2	Mise en service du support	33
5.3	Travaux de dépose	33
5.3.1	Dépose du support	33
6	Exploitation	34
6.1	Consignes importantes concernant l'exploitation journalière	34
6.2	Nettoyage de l'électrode/sonde	34
7	Entretien	34
7.1	Consignes importantes concernant l'entretien	34
7.2	Remplacement de joints en contact avec le milieu	34
8	Caractéristiques des produits	36
8.1	Spécifications techniques	36
8.1.1	Spécifications techniques easyFit	36
9	Conditions de garantie	36
10	Mise hors service, entreposage, évacuation	37
10.1	Mise hors service	37
10.1.1	Réparation	37
10.2	Entreposage	37
10.3	Évacuation	37

1 Introduction

- Les supports easyFit sont fiables et ont été testés par METTLER TOLEDO et sont livrés prêts à monter.
- Avant la mise en service du support à immersion, il convient de lire attentivement les instructions d'utilisation et de respecter les consignes de sécurité et mises en garde qui y figurent.

En complément aux présentes instructions d'utilisation, veuillez respecter :

- Toutes les prescriptions de sécurité locales.
- Toutes les consignes et mises en garde figurant dans les publications relatives aux produits utilisés avec le support (électrodes, capteurs, etc.).

2 Sécurité

2.1 Introduction

Les présentes instructions d'utilisation contiennent des informations essentielles permettant d'utiliser le support easyFit de façon sûre et conformément aux prescriptions. La connaissance des présentes prescriptions et l'observation des mises en garde figurant dans les instructions d'utilisation sont la condition sine qua non de la manipulation sûre et du fonctionnement correct du support.

Ces instructions d'utilisation et en particulier ses consignes de sécurité doivent être respectés par le personnel affecté à la manipulation et à l'entretien des supports. Il est supposé que ces personnes connaissent l'installation à laquelle sont montés les supports. Pour cette raison, il est indispensable que les personnes concernées aient lu et compris les présentes instructions d'utilisation avant d'effectuer des travaux aux supports.

Ces instructions d'utilisation doivent être conservées toujours à portée de main et à disposition des personnes qui travaillent avec le support easyFit.

A la réception de la livraison, vérifier les points suivants:

- Les supports et les accessoires quant aux dommages de transport. Annoncer immédiatement tout dommage à l'entreprise de transport ainsi qu'au fournisseur.
- La désignation de type figurant sur le boîtier de support.

2.2 Utilisation conforme aux prescriptions

Les supports easyFit sont destinés uniquement aux mesures avec les électrodes/sondes spécifiées METTLER TOLEDO, c'est-à-dire, les électrodes combinées pH et Redox ainsi que les sondes O₂ de conductivité. Utiliser les supports uniquement à ce but.

D'autre part, l'utilisation conforme aux directives requiert:

- Le respect des indications, prescriptions et consignes des présentes instructions d'utilisation.
- L'observation des intervalles d'inspection et de maintenance prescrits.
- L'entretien correct des supports.

- L'exploitation sous respect des conditions d'environnement et d'exploitation prescrites et des positions de montage admises.
- Le respect de la législation locale.



Danger! Le support doit être utilisé uniquement avec les électrodes/sondes prévues. Un capteur manquant ou faux peut entraîner l'altération des conditions (pression, température, stabilité chimique et protection antidéflagrante). Ces conditions peuvent conduire à l'inétanchéité/risque d'explosion des supports, ce qui peut mettre en danger les personnes et affecter l'environnement.

2.3 Risques spécifiques au produit

2.3.1 Dépose de l'électrode/sonde



Danger! Une électrode/sonde ne doit être déposée que si la conduite/la cuve est sans pression et vide. En cas contraire, il y a risque d'émanation d'agent de substances dans l'environnement, car, en cas d'endommagement de l'électrode ou de la sonde, il y a risque de fuite de milieu. Cette situation constitue un danger pour l'environnement, les personnes et porter préjudice au matériel. Le milieu toxique ou agressif peut conduire à des intoxications mortelles ou à des brûlures par acide.



Indication: tout capteur rompu ou comportant un joint torique défectueux/sectionné doit être remplacé.



Danger! La rupture d'un capteur met en cause la sécurité du procédé, car les valeurs de mesure deviennent erronées.

2.3.2 Manipulations et travaux d'entretien au support



Indication: Avant de commencer tout travail d'entretien au support, mettre l'installation dans laquelle il est intégré dans un état qui exclut tout risque (sans pression, sécurité antidéflagrante, vidage, rinçage, dégazage ou aération, etc.). Le support ne peut être déassemblé que s'il est démonté de l'installation.

Il n'est autorisé d'effectuer des manipulations au capteur ou au support que si l'on a l'assurance qu'aucun milieu de procédé ne peut s'écouler hors du support par suite d'erreur de manipulation. Pour cette raison, il convient de vider préalablement le système entier et de le dégazer ou de l'aérer (état sans danger).

Le port d'un équipement de protection personnelle tel que lunettes et vêtements de protection est fondamentalement requis.

Seuls les travaux de maintenance et de réparation indiqués dans les présentes instructions d'utilisation peuvent être effectués sur le support.

En cas de remplacement de composants défectueux, seules les pièces de rechange d'origine METTLER TOLEDO peuvent être utilisées.



Danger! La non-observation des prescriptions d'entretien peut mettre en danger les personnes et affecter l'environnement.

2.3.3 Supports en plastique



Indication:

Les propriétés mécaniques des supports en plastique ne sont pas si élevées que celles des supports en acier.

- Les supports en plastique doivent subir des maintenances plus fréquentes que les supports en acier.
- Les composants défectueux doivent être remplacés par un concessionnaire autorisé.



Danger! En aucun cas, il n'est autorisé d'utiliser les supports en plastique dans des systèmes à hautes sollicitations mécaniques, ce qui entraînerait la rupture de la cage de protection.

2.3.4 Installation dans systèmes sous pression



Indication: la température maximale admissible et les spécifications concernant les pressions ne doivent pas être dépassées. Les indications énoncées varient selon le genre de construction et le type. Les caractéristiques spécifiques aux types figurent sur la plaque signalétique apposée au support.



Danger! Si la température et les pressions préconisées sont dépassées, le système risque de devenir inétanche, ce qui peut constituer un danger pour les personnes et affecter l'environnement.



Indication: Au «Chapitre 8» figurent les spécifications exactes concernant les conditions de pression et de températures maximales admissibles.

2.4 Risques résiduels



Indication: En dépit de toutes les précautions prises, des risques résiduels subsistent.

2.4.1 Raccordements inétanches

- Suite à des vibrations certains raccords peuvent perdre leur étanchéité ou se desserrer.
- Le raccord entre le support et l'adaptateur de procédé est potentiellement source de fuites.



Indication: Le client doit contrôler régulièrement et maintenir en état de fonctionnement les raccords au support et à l'adaptateur de procédé.



Danger! Les raccords non étanches peuvent conduire à des contaminations de l'environnement et mettre en danger les personnes.

2.4.2 Résidus de milieu



Danger! Lorsque vous retirez ou remplacez l'électrode, de faibles quantités de milieu restent à la surface de l'électrode. S'il s'agit de substances toxiques, polluantes ou de germes pathogènes, il faut les éliminer conformément aux prescriptions en vigueur.

2.4.3 Protection thermique



Danger! Le support ne comporte pas de protection thermique. En cas de stérilisation à la vapeur des conduites du procédé, la surface du support peut atteindre une température élevée, ce qui peut occasionner des brûlures.

2.4.4 Impacts



Indication: La chute d'objets sur le support peut produire des dommages remettant en cause l'étanchéité ou le bon fonctionnement du support.

2.5 Mesures à prendre en cas d'urgence



Indication: Respecter les prescriptions locales!

2.6 Mesures de sécurité

Il est impératif de toujours respecter scrupuleusement les réglementations locales en vigueur. Celles-ci ne sont pas reprises dans ce manuel d'instruction.

Il est obligatoire de porter des équipements de protection comme des lunettes et combinaisons de protections. Des fuites de substances agressives en provenance du milieu peuvent mettre en danger les personnes ou contaminer l'environnement.

L'opérateur est responsable de l'instruction du personnel.

L'opérateur est tenu d'informer immédiatement le fournisseur/producteur du support easyFit de tout incident ayant un impact sur la sécurité.

Toute manipulation incorrecte ou erreur d'instruction peut constituer une mise en danger des personnes et de l'environnement.

Avant toute mise en service du support d'insertion, les points suivants doivent être contrôlés:

- Pas de connections endommagées, etc.
- Pas de fuites.
- Pas de câbles défectueux, etc.
- L'autorisation d'utiliser le support sur le site.



Danger! Un support d'insertion défectueux ne doit jamais être installé ni mis en service. Des fuites ou une installation incorrecte peuvent conduire à des émanations risquant de mettre en danger les personnes (y compris le risque d'explosion).

2.7 Modifications

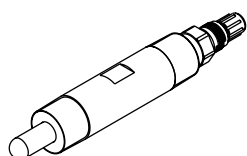
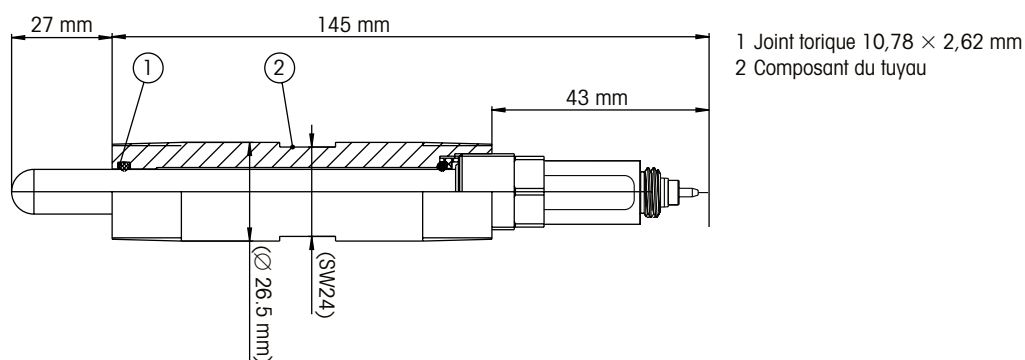


Modification: N'apporter aucun amendement (modifications) aux supports, ni aux accessoires.



Danger! Le fabricant/fournisseur décline toute responsabilité pour les dommages causés par des amendements non autorisés ou par utilisation de pièces détachées ne provenant pas de METTLER TOLEDO. L'exploitant en assume entièrement le risque.

3 Dessin technique



4 Description du produit

Contenu d'étiquette :

- A METTLER TOLEDO
Producteur
- B Order No. 52 XXX XXX
Numéro de commande
- C SNR: XXXXXXX
Numéro de série
- D PS:/TS:
Pression et température spécification
- E Material
(CPVC ou SS) Type de Matériel

5 Installation et mise en service

5.1 Préparation de l'installation

Il est impératif d'observer les prescriptions de soudage pour raccords à souder (accompagnant le raccord d'origine METTLER TOLEDO), sinon la liaison au procédé peut être inétanche ou sa résistance à la pression peut se trouver amoindrie.

- Le support peut être monté perpendiculairement ou de façon oblique. Au montage oblique, il faut respecter un angle de 15 ° ou plus entre le support et l'horizontale.

5.2 Mise en service du support

Avant de mettre en service le support, il faut que tous les travaux de pose et d'installation soient terminés.

- Avant chaque mise en service, vérifier le système de mesure.
- Contrôler la chaîne de mesure et l'étanchéité du support et de l'installation.
- Ne commencer la mise en service que si le contrôle du système de mesure a été effectué et que l'on a remédié aux défauts.

On peut détendre la pression de compensation par léger desserrage de la valve ou par interruption et détente de l'alimentation d'air comprimé.

5.3 Travaux de dépose

5.3.1 Dépose du support

Mettre l'installation dans laquelle le support à immersion est intégré dans un état excluant tout risque (détendre la pression, rincer, dégazer, ventiler, etc.).

Desserrer le raccordement concerné et retirer le support.

6 **Exploitation**

6.1 **Consignes importantes concernant l'exploitation journalière**

Au cours de l'exploitation:

- Ne jamais enlever des vis de fixation (fixation de bride, bague moletée, etc.),
- En cas de perturbation au cours de l'exploitation, mettre l'installation dans laquelle le support est monté en condition de sécurité,
- Pour tous les travaux en exploitation journalière, il faut porter l'habillement de protection prescrit (lunettes de protection, gants, masque respiratoire, etc.).

6.2 **Nettoyage de l'électrode/sonde**

Nettoyer l'électrode/sonde avant la dépose, avant l'étalonnage du système de mesure ou à intervalles définis au cours de l'exploitation (selon le milieu de procédé).

7 **Entretien**

7.1 **Consignes importantes concernant l'entretien**



Prudence! Dans certaines circonstances, le milieu du procédé peut contaminer l'environnement et mettre en danger votre santé (toxique, acide, etc.). Pour cette raison, avant de commencer les travaux d'entretien, mettre l'installation en condition excluant tout risque. L'électrode/sonde, le support et le raccord doivent rester propres.

Remplacer immédiatement toute pièce ou joint défectueux.

Seul le personnel professionnel est autorisé à effectuer des travaux de maintenance et d'entretien au support.

En règle générale, il convient d'utiliser uniquement des pièces de rechange d'origine METTLER TOLEDO, sinon, la garantie expire.

Seuls les travaux d'entretien et de réparation mentionnés dans les chapitres suivants peuvent être effectués aux supports.

7.2 **Remplacement de joints en contact avec le milieu**

Par principe, tous les joints en contact avec le milieu doivent être remplacés tous les 6 mois, pour raison de sécurité. En présence de milieux agressifs, il s'agit de les remplacer à plus brefs intervalles. Il convient de contrôler les joints en contact avec le milieu quant à l'encrassement et aux endommagements tous les mois ainsi qu'à chaque maintenance.



Indication: Les joints sont des pièces d'usure perdues; ils doivent être vérifiés régulièrement par l'exploitant du support et remplacés au besoin (selon l'application).

Remplacement de joints en contact avec le milieu:

METTLER TOLEDO recommande de remplacer sans faute les joints en contact avec le milieu tous les 6 mois au moins.

Contrôle des joints en contact avec le milieu:

METTLER TOLEDO recommande de vérifier sans faute les joints en contact avec le milieu tous les 3 mois au moins.

En présence de milieux agressifs ou très abrasifs, les intervalles se raccourcissent en conséquence.



Indication: Les recommandations de METTLER TOLEDO concernant les intervalles de maintenance sont le fruit d'une expérience basée sur des applications standards et ne donne pas lieu à un droit de garantie pour l'exploitant. Selon les conditions agressives, de pression et de température, les intervalles requis pour la sauvegarde du fonctionnement des supports d'immersion peuvent devenir nettement plus courts.



Indication: Le désassemblage du support en vue des travaux de maintenance et de réparation n'est autorisé qu'en état déposé.



Prudence!

- Le désassemblage du support en vue des travaux de maintenance et de réparation n'est autorisé qu'en état déposé.
- N'effectuer que les travaux décrits au point 5.3 et ne remplacer que les joints toriques mentionnés ci haut. Veiller au type irréprochable, vérifier les joints toriques quant aux endommagements et à leur emplacement correct.

8 Caractéristiques des produits

8.1 Spécifications techniques

8.1.1 Spécifications techniques easyFit



Note: Tenir compte des spécifications techniques du capteur posé.

Conditions ambiantes

Température	easyFit 21	–5 ... 80 °C
	easyFit 22	–5 ... 100 °C

Conditions d'utilisation

Support	Matériau	Pression maximale admissible [PS] / [TS]: (relation linéaire pour support en plastique)
easyFit 21	CPVC	7.0 bar à 65 °C
		3.5 bar à 80 °C
easyFit 22	1.4404	10 bar à 100 °C

9 Conditions de garantie

Les supports à immersion sont de haut standard technique et fiables. Ils sont constamment améliorés selon les progrès techniques les plus récents et ne quittent nos usines qu'après avoir subi un contrôle final sévère. La garantie est comptée à partir de la date de la livraison pour une durée d'un an et concerne les vices dus à un défaut de matériau ou de production.

Les détériorations normales par usure ou dues à une utilisation incompétente (incompatibilité chimique, par ex.) sont exclues de la garantie. Nos prestations de garantie se limitent au remplacement ou à la réparation du produit défectueux, selon notre choix. La garantie échoit si le client ou un tiers effectue une modification à notre produit. Annoncer immédiatement au fournisseur, au plus tard dans les délais de la garantie, les défauts constatés.

10 Mise hors service, entreposage, évacuation



Prudence! Veuillez consulter le Chapitre 2 «Sécurité». Seul le personnel instruit ou professionnel est autorisé à effectuer la mise hors service.

10.1 Mise hors service

10.1.1 Réparation

Si vous ne pouvez pas résoudre vous-même un problème, envoyer le support à votre représentant local, accompagné d'une description exacte.



Prudence! Les supports qui ont été en contact avec des substances toxiques ou dangereuses doivent, de toute façon, être nettoyés consciencieusement et, d'autre part, être marqués, afin de protéger pour protection de notre personnel du service après-vente.

10.2 Entreposage

Entreposer votre easyFit dans un endroit sec.

10.3 Évacuation



Protection de l'environnement

Les produits électriques usagés ne devraient pas être jetés avec les déchets ménagers. Merci de les déposer dans les points de collecte afin qu'ils soient recyclés. Contactez vos autorités locales ou votre vendeur pour obtenir des conseils en matière de recyclage.

For addresses of METTLER TOLEDO
Market Organizations please go to:
www.mt.com/pro-MOs

www.mt.com/pro

For more information



Management System
certified according to
ISO 9001/ISO 14001

METTLER TOLEDO Group
Process Analytics
Local contact: www.mt.com/pro-MOs

Subject to technical changes
© 06/2021 METTLER TOLEDO
All rights reserved. 52 403 970 E
Printed in Switzerland

