

InFit 762 e/763 e – The insertion housings for medium and large vessels

Technical data



InFit 76Y e (steel version)

Short description

The static insertion housing InFit™ 762 e allows quick and easy installation of electrodes and sensors with Pg 13.5 thread. This allows the use of a large range of pH/redox electrodes with solid or gel-type reference electrolyte as well as sensors for measuring conductivity, turbidity, dissolved oxygen and CO₂ in applications used in the chemical and pharmaceutical industry (even in hazardous areas).

The static insertion housing InFit 763 e provides quick and easy integration of pressurized pH/redox electrodes with liquid reference electrolyte into applications of the chemical and pharmaceutical .

The housings feature the following highlights:

- vertical installation into vessels and reactors
- use of electrodes/sensors with standard length (120 mm or 150 mm)
- variable insertion length for installation in vessels and reactors
- wide range of process connections
- large choice of materials for wetted parts, depending on process requirements
- optional protective cage for electrode protection in abrasive media
- conformity with EX and PED standards

Content

Operation and system	2
General operation of the housing	2
Complete measuring system	2
Dimensional drawings	3
Dimensional drawings InFit 762 e	3
Dimensional drawings InFit 763 e	4
Possible installations	5
Process connections	7
Technical specifications	8
Technical specifications InFit 762 e	8
Technical specifications InFit 763 e	10
Suitable electrodes / sensors	12
Ordering information	13
Product key	13
Housing and spare parts	14
Accessories	15

METTLER TOLEDO

General operation

The InFit 762 e and InFit 763 e insertion housings for vertical installation in reactors act as a support for electrodes and sensors for measuring pH and redox as well as dissolved oxygen, CO₂, turbidity and conductivity in industrial environments. The use of plug-type connectors facilitates the replacement of electrodes and the electrode cable can be used repeatedly.

The generic term InFit76Y e Series used in this document refers to:

- **InFit 762 e** – insertion housing for pH/redox electrodes with gel-type or polymer electrolyte, O₂, CO₂, conductivity and turbidity sensors (with 12 mm diameter and Pg 13.5 thread).
- **InFit 763 e** – insertion housing for pressurized pH/redox electrodes with liquid electrolyte (such as InPro 2000).

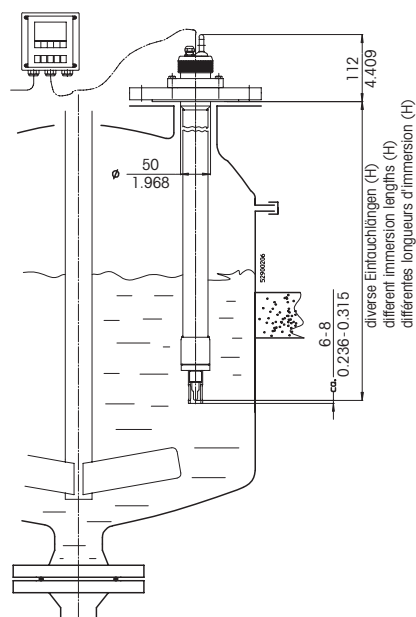
Using a combination electrode with sensor length a = 120 mm (InFit 76Y e) or 150 mm (InFit 763 e only) electrode fitting is independent from the insertion length (H), see section «Suitable electrodes / sensors» on page 12.

For the InFit 763 e housing (PVDF version) we recommend using a protective tube (see illustration on page 4). With the InFit 763 e PVDL version (PVDF antistatic) the tube is reinforced by a built-in stainless steel pipe that is not in contact with the medium.

Note: Housings suitable for operation in hazardous areas carry a respective symbol on their type plate. Housings that do not carry this additional marking are not admissible for use in hazardous areas.

All medium wetted parts of the housing are available in stainless steel according to DIN 1.4404/316L, DIN 2.4602/ Alloy C22 or titanium, or (for InFit 763 e only) made of untreated PVDF and antistatic PVDF (PVDL) plastics. The head (top piece) is made of antistatic PP and nickel-plated brass. The O-ring seals between the housing and the medium are made of fluororubber (FKM), perfluoro rubber (FFKM) and EPDM and the sealing plate is made of PTFE; all other O-rings are made of Nitril or silicone (MVQ).

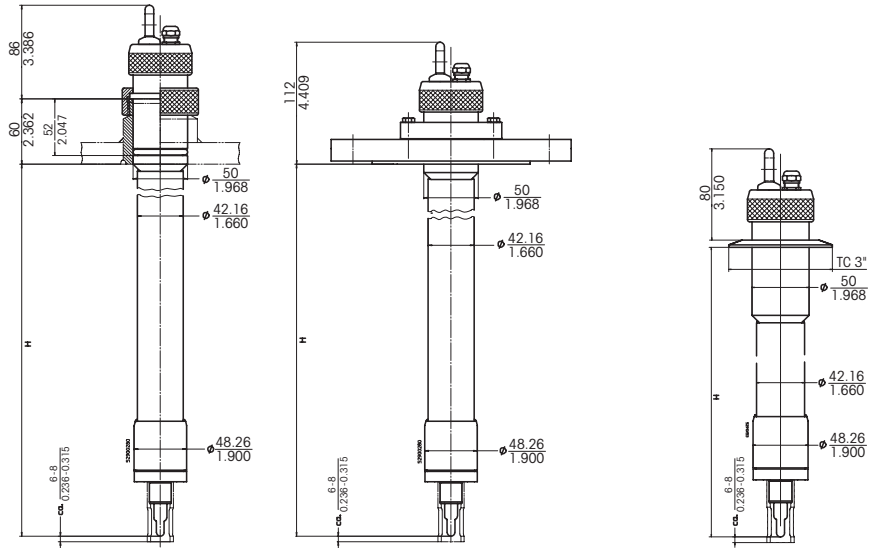
Complete measuring system



Complete measuring system InFit 76Y e

Dimensional drawings InFit 762 e

Dimensions mm	inch
(approx.)	

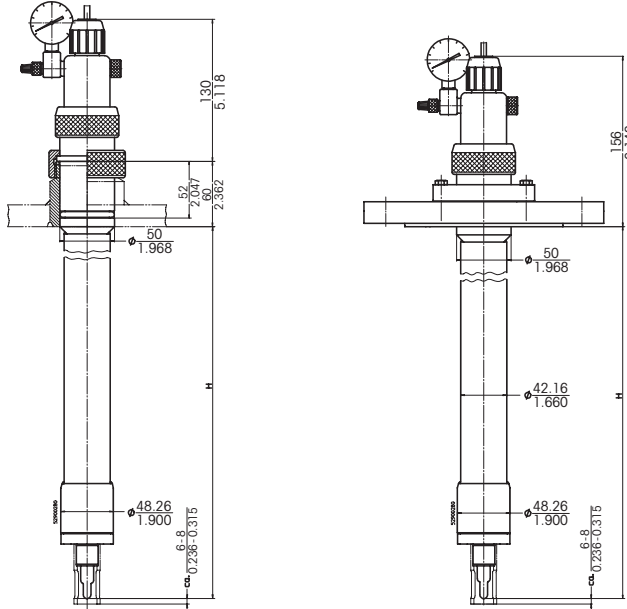


InFit 762 e with electrode / sensor (Pg 13.5 thread):
 Installation with cap nut in weld-in socket (left), installation with flange (middle)
 and installation with Tri-Clamp adaption (right).

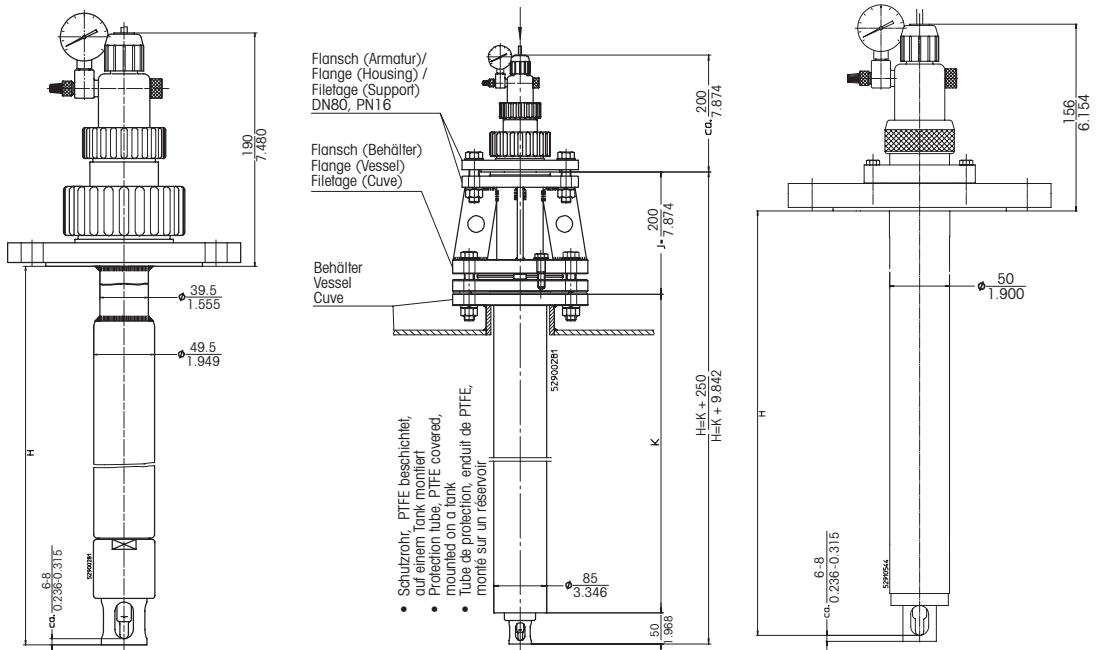
For immersion lengths (H) and appropriate sensor lengths
 please refer to section «Suitable electrodes / sensors» on page 12.

Dimensional drawings InFit 763 e

Dimensions mm	
(approx.)	inch



InFit 763 e steel version:
Installation with cap nut in weld-in socket (left), installation with flange (right).

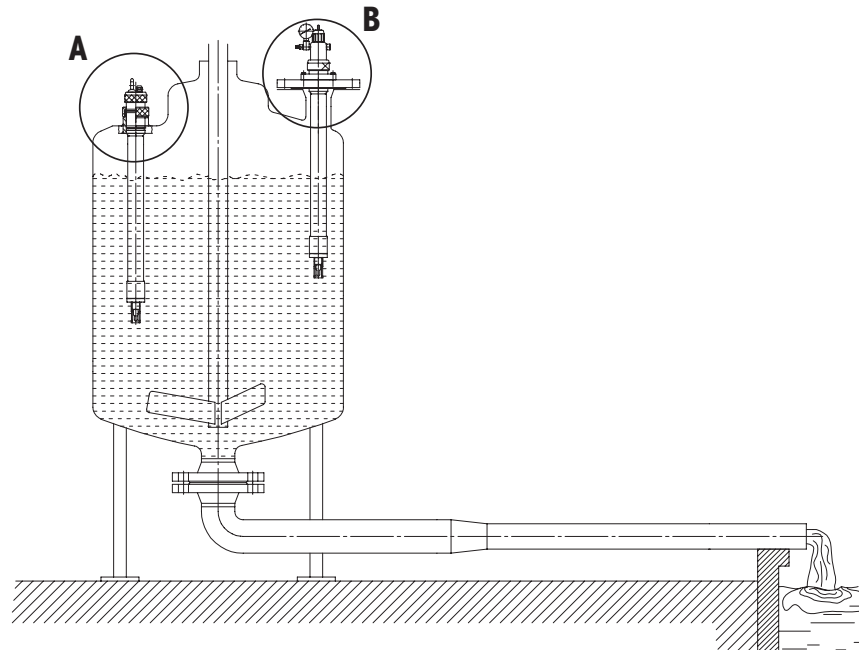


InFit 763 e plastic version PVDF (left), plastic version with mounted protection tube (middle) and plastic version PVDL [PVDF antistatic] (right).

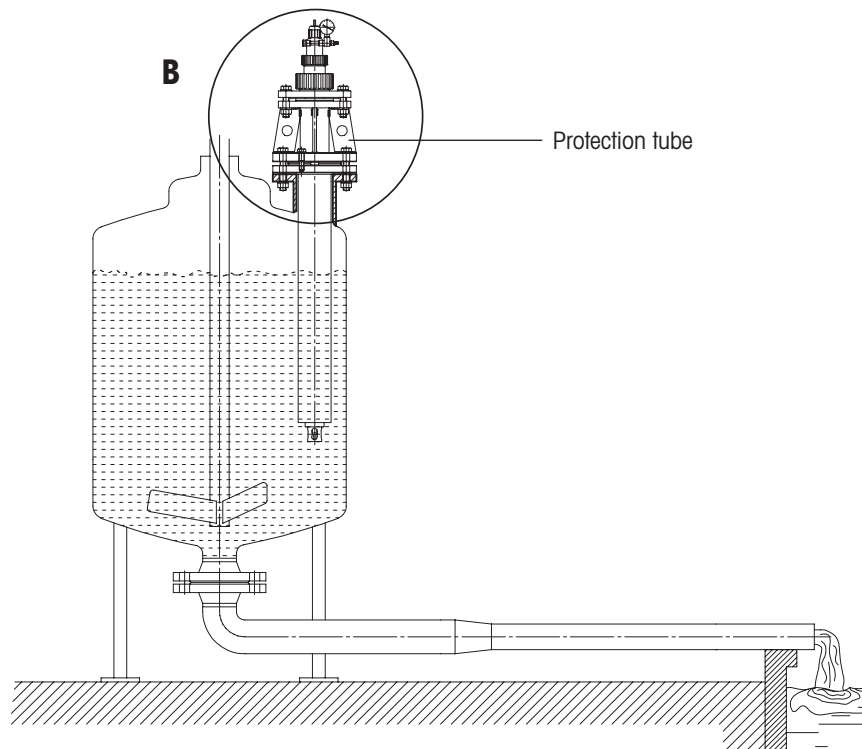
For immersion lengths (H) and appropriate sensor lengths please refer to section «Suitable electrodes / sensors» on page 12.

Possible installations

The housings are mounted to a weld-in socket with a cap nut (A) or to a vessel using a flange connection (B).
 Admissible mounting position InFit 76Y e



Admissible mounting position InFit 763 e (PVDF version) with flange and optional protection tube



Note: In case of excessive forces from stirring or gravitation prop the housing with an additional support.

Process connections

InFit 762 e / InFit 763 e housing (steel and PVDL version)

A Cap nut DN50 G 2" for weld-in socket L= 60/DN50/straight
(steel version only)

B Flange DIN DN50-PN16
Flange DIN DN80-PN16
Flange DIN DN100-PN16

Flange A150-2"/150 lbs
Flange A150-3"/150 lbs
Flange A150-4"/150 lbs

Flange JIS 10K 80

Tri-Clamp 3" straight (steel version only)

InFit 763 e housing (PVDF version)

A Cap nut M80 x 3 mm

B Flange DIN DN65-PN16
Flange DIN DN80-PN16

Flange A150-3"/150 lbs
Flange A150-4"/150 lbs

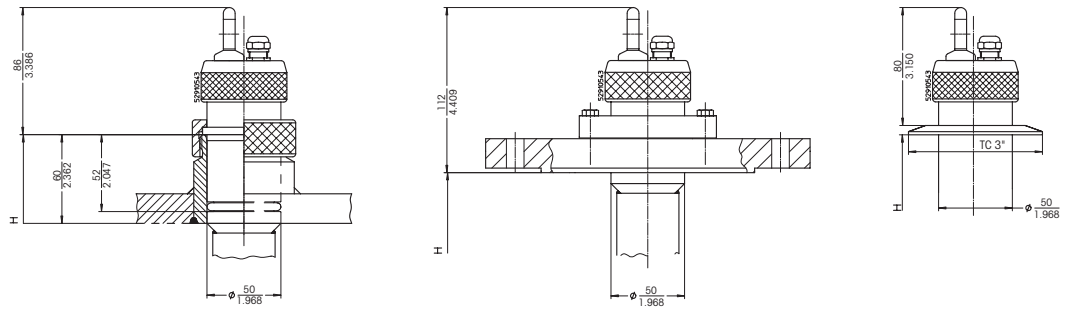
Protection tube

Flange (vessel)*	Flange DIN DN100-PN16	with flange (housing): DIN DN80 - PN16**
	Flange DIN DN150-PN16	with flange (housing): DIN DN80 - PN16**

* Other flange adaptations available on demand.

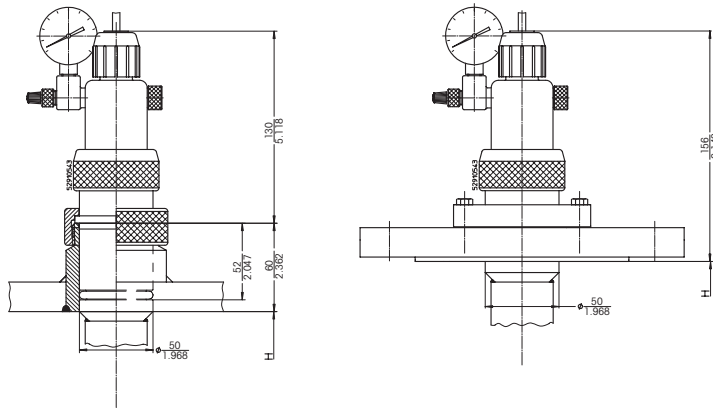
** See dimensional drawing on page 4, flange (vessel).

Process connections



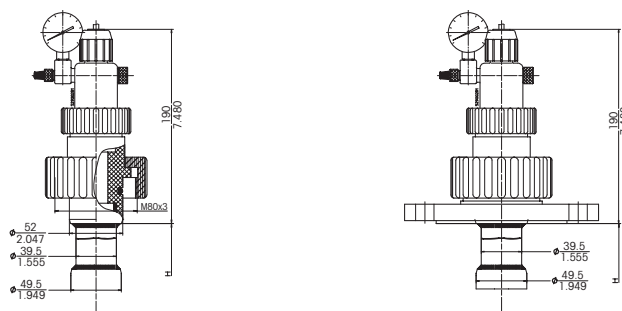
Process connections InFit 762 e

with weld-in socket (left), with flange (middle) and Tri-Clamp adaption (right)



Process connections InFit 763 e (steel and PVDL version)

with weld-in socket (left) and with with flange (middle)



Process connections InFit 763 e (PVDF version)

without flange with cap nut M 80 x 3 (left) and with flange (right)

Technical specifications InFit 762 e

Note: the technical specifications of the installed sensor must be taken into consideration.

Ambient conditions

Temperature -30...80 °C

Process conditions

Housing	Material	Max. admissible pressure [PS] / [TS]:
---------	----------	--

InFit 762	DIN 1.4404/AISI 316L DIN 2.4602/AISI Alloy C22, Ti	6 bar / 130 °C
-----------	--	----------------

Immersion length Immersion lengths and appropriate sensor lengths, see section «Suitable electrodes / sensors» on page 12

Wetted materials DIN 1.4404/AISI 316L,
DIN 2.4602/Alloy C22, titanium

Wetted seals FKM-FDA,
EPDM-FDA,
FFKM-FDA USP Class VI

Non-wetted materials

InFit 762/xG* version	Sealing plate:	PTFE
	Cover:	stainless steel
	Cable gland:	brass, nickel-plated
	Eye bolt M8:	steel, bright nickel-plated

InFit 762/xL* version	Sealing plate:	PTFE
	Cover:	stainless steel
	Cable gland:	plastic
	Counter nut:	stainless steel

Weight starting from approx. 4 kg

Pressure information According to PED 97/23/CE Article 1, Section 2.2:
«Pressure» is referenced to atmospheric pressure, e.g. an overpressure.
Accordingly, a pressure in the vacuum region will be expressed as a negative pressure.

* see «Product key» page 13

Explosion protection

(Applicable for all housings with wetted parts made of metal)

According to ATEX directives (94/9/EG):

⊕ II 1/2 G c IIC TX Ga/Gb

⊕ II 1/2 D c IIIC TX Da/Db

SEV 13 ATEX 0161 X

According to FM directives:

IS CL I,II,III, Div 1, GR A,B,C,D,E,F,G

Tamb. = 0 °C to +60 °C,

indoor and outdoor environments.

FM control drawing: 53800002;

Original project ID 3021227;

FM Certificate number: FM16US0034X

Certificates / approvals

- Depending on housing model, following certificates/approvals are included:
- CE Declaration of Conformity
- Pressure Equipment directive
- Certificate of Conformity according to EN10204 2.1, material certificate according to 3.1B
- ATEX directive
- FM Class 3600, 3610, 3810
- MaxCert™

Appropriate

types of electrodes

see section «Suitable electrodes / sensors» on page 12

For more detailed information regarding electrodes and sensors please refer to the corresponding data sheets or contact your METTLER TOLEDO representative.

Technical specifications InFit 763 e

Note: the technical specifications of the installed sensor must be taken into consideration.

Ambient conditions

Temperature 0...70 °C

Process conditions

Housing	Material	Max. admissible pressure [PS] / [TS]: (linear relation with plastic housings)
InFit 763	DIN 1.4404/AISI 316L	6 bar / 130 °C
	DIN 2.4602/AISI Alloy C22, Ti	
	PVDF	10 bar / 40 °C
	PVDL (PVDF antistatic)	2 bar / 130 °C
	PVDL (PVDF antistatic)	6 bar / 130 °C

Immersion length Immersion lengths and appropriate sensor lengths, see section «Suitable electrodes / sensors» on page 12

Wetted materials DIN 1.4404/AISI 316L, DIN 2.4602/Alloy C22, titanium, PVDF, PVDL (Polyvinylidene fluoride antistatic PVDF)

Wetted seals FKM-FDA, EPDM-FDA, FFKM-FDA USP Class VI

Non-wetted materials Top piece: nickel-plated brass, Polypropylene (PP) antistatic
 Sensor holder: PVDF
 Sealing plate: PTFE

Weight starting from approx. 4 kg

Pressure information According to PED 97/23/CE Article 1, Section 2.2: «Pressure» is referenced to atmospheric pressure, e.g. an overpressure. Accordingly, a pressure in the vacuum region will be expressed as a negative pressure.

Explosion protection

(Applicable for all housings with wetted parts made of metal)

According to ATEX directives (94/9/EG):

II 1/2 G c IIC TX Ga/Gb

II 1/2 D c IIIC TX Da/Db

SEV 13 ATEX 0161 X

According to FM directives:

IS CL I,II,III, Div 1, GR A,B,C,D,E,F,G

Tamb. = 0 °C to +60 °C,

indoor and outdoor environments.

FM control drawing: 53800002;

Original project ID 3021227;

FM Certificate number: FM16US0034X

Certificates / approvals

- Depending on housing model, following certificates/approvals are included:
- CE Declaration of Conformity
- Pressure Equipment directive
- Certificate of Conformity according to EN10204 2.1, material certificate according to 3.1B
- ATEX directive
- FM Class 3600, 3610, 3810
- MaxCert™

Appropriate

types of electrodes

see section «Suitable electrodes / sensors» on page 12

For more detailed information regarding electrodes and sensors please refer to the corresponding data sheets or contact your METTLER TOLEDO representative.

Suitable electrodes / sensors

InFit 762 e

	α-Length of the electrodes / sensors
	120 mm
pH	DPA / DPAS, DXK, InPro 3030, InPro 3100, InPro 3200, InPro 3250, InPro 4250, InPro 4800
Redox	Pt4805
Oxygen	InPro 6800
CO ₂	InPro 5000
Conductivity	InPro 7001-VP
Turbidity	InPro 8100, InPro 8200

InFit 763 e (steel and PVDL version)¹⁾

	α-Length of the electrodes / sensors
	120 mm or 150 mm
pH	465-50, InPro 2000
Redox	Pt4865-50

InFit 763 e (PVDF version)

	α-Length of the electrodes / sensors
	120 mm
pH	465-50, InPro 2000
Redox	Pt4865-50

¹⁾ If the electrode holder of the InFit 763 e (steel or PVDL version) is removed, an electrode/sensor with Pg 13.5 thread can be inserted. (see respective section in table InFit 762 e.

Ordering information**InFit 76Y e Series**

InFit 762 e	Designation	Order no.
	InFit 762/NG/1000/4404/B02/VI--	52 400 065
	InFit 762/NG/1500/4404/B02/VI--	52 400 066

InFit 763 e	Designation	Order no.
	InFit 763/NU/1000/4404/B02/VI--	52 400 060
	InFit 763/NU/1200/4404/B02/VI--	52 400 352
	InFit 763/NU/1500/4404/B02/VI--	52 400 061
	InFit 763/NU/1800/4404/B02/VI--	52 400 721
	InFit 763/WH/1000/PVDF/B01/VI--	59 901 022
	InFit 763/WH/1500/PVDF/B01/VI--	59 900 963

All other configurations can be ordered according to the product key found on page 13.

Spare parts InFit 76Y e	Designation	Order no.
	O-ring set Vi 76Y e (flange adaption)	52 400 115
	O-ring set Vi 76Y e (socket adaption)	52 400 114
	O-ring set Ka 76Y e (flange adaption)	52 400 370
	O-ring set Ka 76Y e (socket adaption)	52 400 369
	O-ring set Ep 76Y e (flange adaption)	52 403 475
	O-ring set Ep 76Y e (socket adaption)	52 403 476
	O-ring set Ka InFit 763 e (plastic version)	52 400 371
	O-ring set Vi InFit 763 e (plastic version)	59 900 916
	Manometer 0...6 bar complete	59 901 296
	Pressure connection set	59 905 552
	Valve insert	59 905 517
	Top piece complete 763 e	59 900 908

Accessories	Designation	Order no.
	Weld-in socket	
	Weld-in socket L=60/DN50/1.4435	59 900 860
	Blind plug	
	Blind plug DN50 1.4435 Silikon-FDA	59 900 903
	Protective cage	
	Protective cage, pluggable 1.4435	59 901 132
	Protective cage, pluggable DIN 2.4602	52 402 858

Accessories (cont.)	Designation	Order no.
	Connection cable AS9/HT-Coax 5 (temperature -30...90 °C)	
	3 m	59 902 276
	5 m	59 902 295
	10 m	59 902 323
	Connection cable AS9/ST-Coax 5 (temperature -30...80 °C)	
	3 m	59 902 268
	5 m	59 902 292
	10 m	59 902 318
	Connection cable AK9/ST-Coax 5 (temperature -30...80 °C)	
	1 m	59 902 167
	3 m	59 902 193
	10 m	59 902 230
	Connection cable VP6/HT (temperature -30...130 °C)	
	1 m	52 300 111
	3 m	52 300 112
	5 m	52 300 113
	10 m	52 300 114
	Connection cable VP6/ST (temperature -30...80 °C)	
	1 m	52 300 107
	3 m	52 300 108
	5 m	52 300 109
	10 m	52 300 110
	Insert DXK / DPA for InFit 763 e (PVDF version)*	59 900 886

For further accessories please contact your local METTLER TOLEDO representative.

* The insert allows using electrodes with 12 mm diameter.

InFit and InPro are registered trademarks of the METTLER TOLEDO Group in Switzerland and a further twelve countries.
All other trademarks are the property of their respective holders.

For addresses of METTLER TOLEDO
Market Organizations please go to:
www.mt.com/contacts

www.mt.com/pro

For more information



Management System
certified according to
ISO 9001/ISO 14001

METTLER TOLEDO Group

Process Analytics

Local contact: www.mt.com/contacts

Subject to technical changes.

© 07/2023 METTLER TOLEDO. All rights reserved.

52 403 440 B

MarCom Urdorf, CH



* 5 2 4 0 3 4 4 0 B *