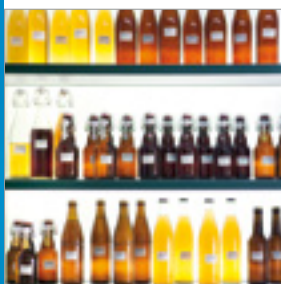


Great Performance and Easy Handling Intelligent Turbidity Sensors



Greater measurement confidence

Multi-point factory calibration ensures accuracy across entire measurement range.



Fast, problem-free start-up

Plug and Measure feature ensures quick, error-free start-up.



Solid compliance

The sensors follow hygienic design best practices, and are tested according to pressurized equipment directive recommendations.



Easy installation

No on-site modification required. The sensors can be directly installed via Tuchenhagen-VARINLINE process connection/sight-glass.



InPro 8610i

InPro 8630i



Turbidity and Color Measurement

For better visibility into your processes

The InPro 8610i and InPro 8630i turbidity sensors provide high measurement accuracy due to multi-point calibration and immunity to background color changes.

More confidence in measurement performance thanks to Intelligent Sensor Management (ISM®) technology. ISM provides window fouling and humidity diagnostic tools to keep you informed on sensor condition.

The sensors are specially designed for turbidity measurement in brewery, beverage, dairy or reclaimed water applications.

See more about InPro 8610i/InPro 8630i at

► www.mt.com/InPro8610i

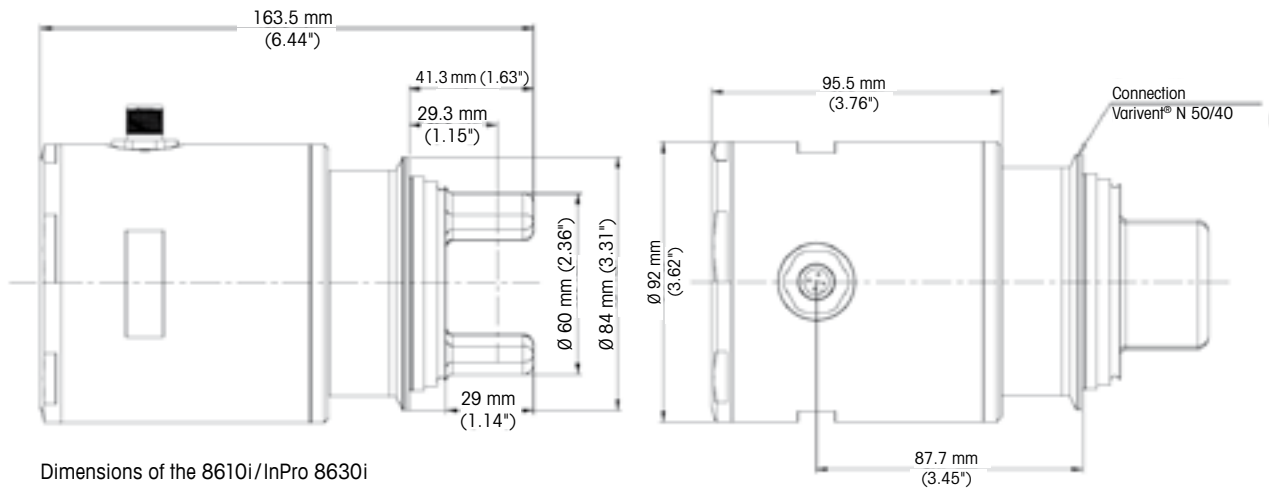
► www.mt.com/InPro8630i

Technical data of the InPro 8610i/InPro 8630i

Measuring principle	Turbidity: Scattered light (25°/90°*) Color*: Absorption measurement	
Process pressure	Up to 16 bar	
Process temperature	- 10 °C to 120 °C (max. 150 °C peak for 15 mins during SIP or CIP cleaning)	
Measuring range	InPro 8610i	Turbidity: 0 to 250 EBC (0 to 1000 FTU)
	InPro 8630i	Turbidity: 0 to 1000 EBC (or 0 to 4000 FTU) Color: 0 to 50 EBC color
Units	FTU, NTU, EBC, EBC Color, g/l, mg/l, ppm, ASBC, % T, ICUMSA, % Foul*	
Process connection	Tuchenhagen-VARINLINE Type N 50/40	
Wetted parts	Stainless steel 1.4404; sapphire windows	
Surface finish	N6/R _a 32 (R _a ≤ 0.8 μm/32 μin)	
O-ring (flange, wetted)	EPDM (compliance to FDA and EN-1935/2004 requirements)	
Communication	Digital (RS485)	
Protection	IP 66 (protection against dust and water ingress)	

* InPro 8630i only

- ▶ www.mt.com/InPro8610i
- ▶ www.mt.com/InPro8630i



Dimensions of the 8610i/InPro 8630i



METTLER TOLEDO Group

Process Analytics
Local contact: www.mt.com/pro-MOs

ISM and InPro are trademarks of the METTLER TOLEDO Group. All other trademarks are property of their respective owners. Subject to technical changes.
© 09/2018 METTLER TOLEDO. All rights reserved.
MarCom Urdorf, CH. PA2003en A.

www.mt.com/pro

For more information