

Next-Generation Label Printing Scale

Smart. Proven. Future-proof.



bPlus-U2

Fast and accurate weighing and service. bPlus is an ergonomic and dependable retail scale that will win the hearts and trust of operators with its robustness, reliability and ease-of-use.

bPlus is designed for all stores that place high demands on the quality and reliability of the equipment they work with. Its ingenious details and smart software will simplify the scale, sales and category management processes, saving you valuable time every day.

bPlus

Small Details. Big Difference.

bPlus is perfect for retailers who are looking to invest wisely in future proof weighing technology that will help them focus on what really matters: sales and profit. That's why every part of a METTLER TOLEDO bPlus scale is carefully engineered to provide you with outstanding benefits. The difference is in the details.

Be prepared for the future with the latest features for investment protection. bPlus offers a fast and flexible light touch keyboard, uses less standby power and enables quick paper roll changes from the top. bPlus combines simple ergonomic operation and high functionality at the service counter – setting the new standard in its performance class.



Easy Operation.

Logical menu structure for simplified navigation, faster and more flexible keyboard and proven functionalities, extended with many new and exciting possibilities: bPlus continues the success story of METTLER TOLEDO label printing scales.



Quality.

bPlus lives up to every expectation associated with quality. Stylish design, top-quality components like an incredibly fast printer and aluminium housing – plus all the carefully considered details combined to create a tangible difference.



Smart Management.

Keep firmware and configurations data up to date and optimize the operational uptime and system continuity with feature-rich and legally compliant application software. bPlus enables a convenient setup and configuration by scale configuration software or easy USB configuration loading.

Outstanding readability

The LCD operator display and keyboard housing is adjustable, offering users outstanding readability even in brightly lit store environments and under difficult lighting conditions such as direct sunlight. The ergonomically-designed adjustable keyboard requires less space in narrow environments.

Hygienic design

The stainless-steel weighing plate is easy to clean, while the scale housing is made of aluminium with impact and scratch resistant surfaces, designed to eliminate unnecessary crevices that could harbor dirt and grime.

Lower energy costs

In longer pauses between service, the bPlus automatically goes into the energy-saving standby mode – but a brief touch of any key is all it takes for the scale to be ready for action again.

Optimized work process

Convenient changeovers between serving and pre-packing, basket total function, QR-code support, automatic label format recognition, fast price changes and online price updates – and much more! The bPlus scale software combines know-how with global experience, resulting in optimal work processes in every situation.

Convenient data management

Network connection either via LAN or wireless, automatic backups, real time server data look up, transmitting and securing item and configuration data via USB sticks: a broad spectrum of smart management functions make data security and data management easier and faster.

Flexible keyboard layout

42 individually configurable PLU preset keys, each of which can be doubly assigned, as well as additional configurable function keys, give sales employees quick access to the product range. The light touch keys allow a highspeed touch recognition which ensures a fast, accurate and error-free operation.

Rapid paper change

Changing the paper roll is quick and easy with the bPlus thanks to convenient access to the printer unit from above and its stable mechanism.



Fast label printing

Who's next, please? The high-speed printer on the bPlus keeps the pace of service high to maximize sales. It also enables small size barcode printing as well as vertical printing.

For more information and videos, visit:

► www.mt.com/retail-bPlus

Optimum support in the fresh food category

- Fast weighing, serving and labeling compliant with today's regulations
- Proven, mature software extended with next-generation functionalities
- Professional PC-software for integration with ERP system
- Smart management for optimal data integrity and operational uptime of the scales



Technical Data

bPlus-U2

Operator Display

High contrast LCD display (white backlight)
Weight: 6 digits
Tare: 5 digits
Price/kg: 6 digits
Total: 7 digits
Text line: 16 alphanumeric characters (dot matrix line)

Customer Display

High contrast LCD display (white backlight)
Weight: 6 digits
Tare: 5 digits
Price/kg: 6 digits
Total: 7 digits
Text line: 16 alphanumeric characters (dot matrix line)

Housing

Die-cast aluminium housing
Stainless steel platter
Adjustable feet

Keyboard

Easy to clean light touch keyboard
Adjustable keyboard for optimized readability
74 light touch keys in total for fast operation
42 preset keys with 2 layers for assigning 84 PLUs or functions
Individually configurable function keys

Printer

Thermal printer for receipts, labels and linerless *
Printing speed: up to 125 mm/s
Print resolution: 8 dots/mm
Roll width labels and linerless: 65 mm
Printable width: 56 mm
Roll diameter: max. 120 mm

Data Storage

32 MB internal memory

Interfaces

2 RS232 serial interfaces
1 RJ45 Ethernet interface
2 USB interfaces
1 RJ11 interface (12 V)**

Networking and Data Transfer

10/100 Base T Ethernet, TCP/IP, USB, DHCP, Wireless LAN *
DHCP support for automated network setup
Hub less network connection
Automatic backup
Smart management functions for transmitting and securing production and configuration data via USB stick

Housing Color

Dark grey

Weighing Range**

6/15 kg 12 kg 15/30 kg

Graduation

2/5 g 2 g 5/10 g

Minimum capacity

40 g 40 g 100 g

Automatic zero-setting

Accessories and Options

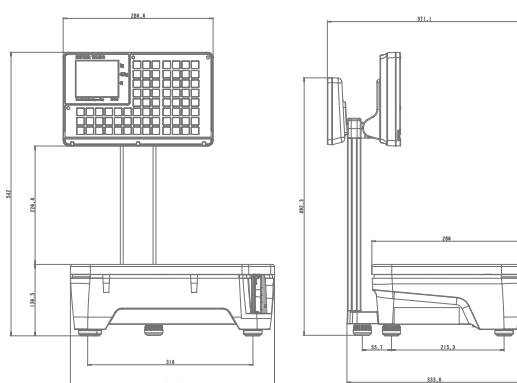
Power cord
Wireless kit for wireless data transmission according to IEEE802.11b/g/n standard
Linerless printer

Power Consumption

100-240 V AC, 50/60 Hz
Standby power consumption: < 0,5 W
Working power efficiency: > 85 percent



* optional
** availability depends on region



All dimensions in mm

www.mt.com/retail

For more information



METTLER TOLEDO Group

Retail Division
Local contact: www.mt.com/contacts

Subject to technical changes
© 03/2018 METTLER TOLEDO. All rights reserved
Document No. 30403391
MarCom Industrial