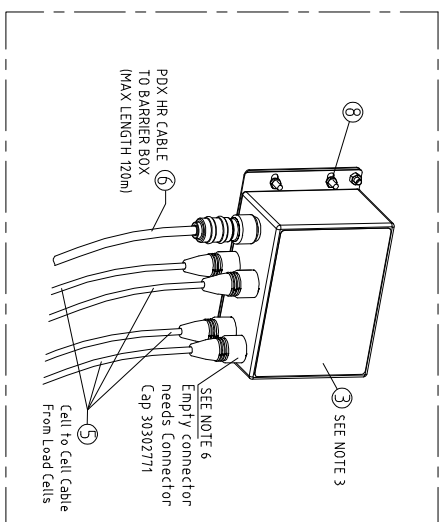
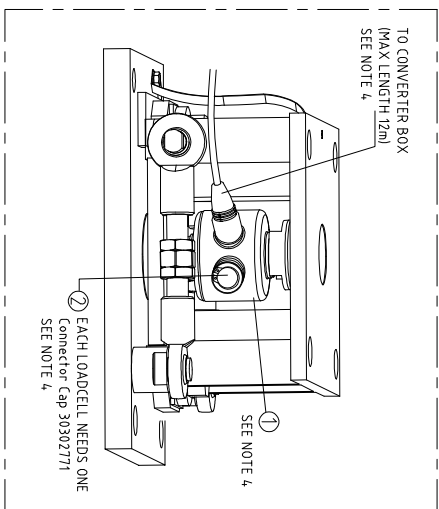
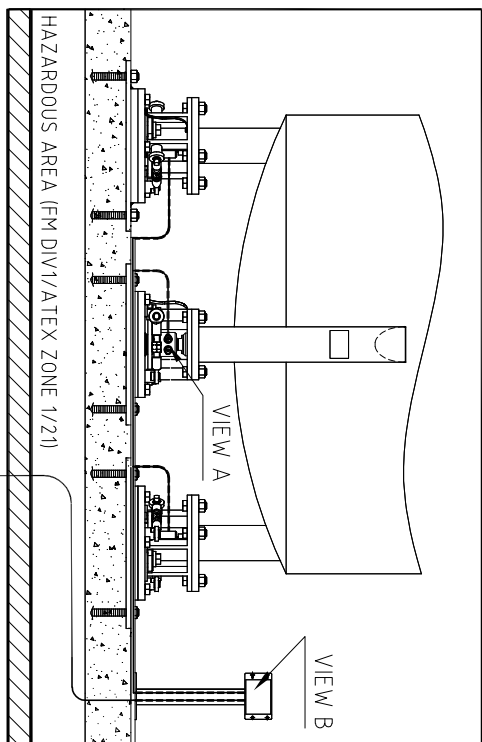
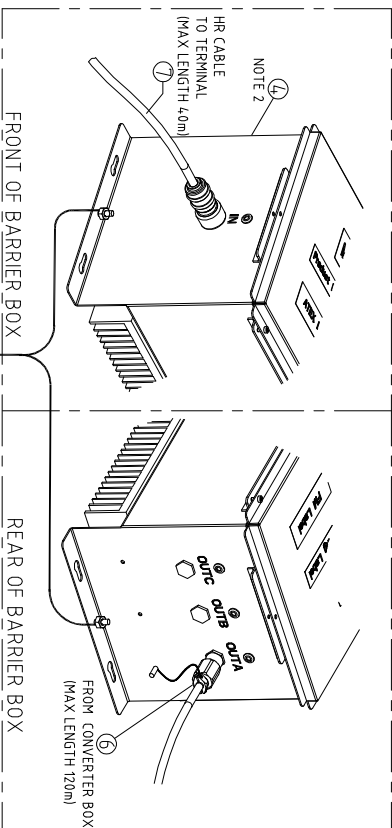


# POWERCELL SLC611D/SLC820 1-4 Load Cell System



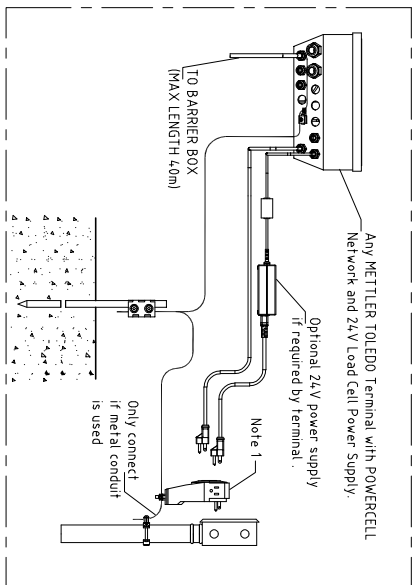
VIEW C (BARRIER BOX)



## SPECIFICATIONS

1. Terminal input power must be connected to a 120V AC or 240V AC surge protector.
2. Barrier box must be located in the Safe Area with limited outdoor exposure (IP54).
3. Converter box must be near the scale (IP68).
4. One SLC611D/SLC820 load cell connector must be directly connected to the converter box with SLC611D cable at a maximum length of 12m per load cell and the other connector capped with a Connector Cap 30302771.
5. Scale model may vary from shown.
6. SLC611D/SLC820 load cells must follow star connection to converter box and all open connectors in system should be capped with Connector Cap 30302771.

VIEW D (TERMINAL)



May share the same ground rod with terminal

Item	Qty	Design No.	ERP No.	MTTC	Description	Material
8	4	/	/	MTTC	M6 (1/4 UNC) bolt/nut/washer	
7	1	30302758-60		MTTC	SLC611D HR Cable (max. 20m) - Terminal to Barrier	Alternative
6	1	6104.4.730-33			PDX HR Cable (max. 40m) - Terminal to Barrier	
6	1	6104.4.730-41			PDX HR Cable (max. 120m) - Barrier to Converter Box	PDX HR CABLE
5	1-4	6104.3480-87			SLC820 Cell to Cell Cable (max. 12m) - Cell to Converter Box	Alternative
5	1-4	30302766-68			SLC611D Cell to Cell Cable (max. 12m) - Cell to Converter Box	
4	1	30283767			CANBUS Barrier - CBR-1-X EN	
3	1	30129884			CANBUS Converter Box CCB-4-X EN	
2	4	30302771			Connector Cap SLC POWERCELL	
1	1-4	/	/		SLC820 Load Cell	Alternative
1	1-4	/	/		SLC611D Load Cell	Alternative

**METTLER TOLEDO**  
 CN-213125 Changzhou  
 Refer to protection notice ISO 16016 / Schuzermerk ISO 16016 beachten  
 Description SLC611D-1区防爆系统接线图  
 Div 1/Zone1/21 POWERCELL SLC611D/SLC820 1-4 LC Layout 30365330  
 External Design No.:0000364064 External Design Rev.: A  
 Status: N/A Approved Mass: 6 Umts: mm 1/1  
 Drawn: Shi-ZT 2019/09/10 Scale: 1:1  
 Change: Format: mt A3  
 Replaces: -  
 EPR NO. EPR Rev. A