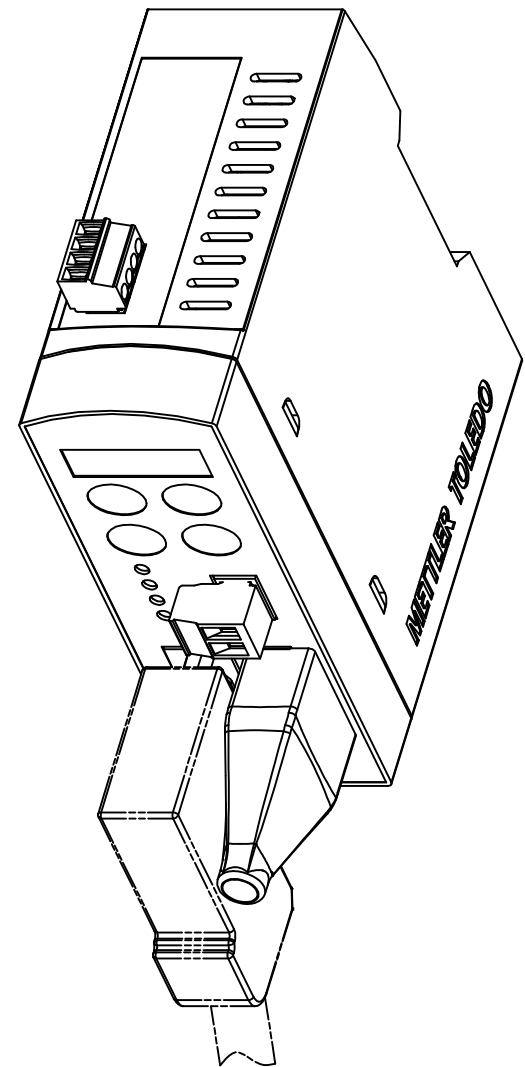
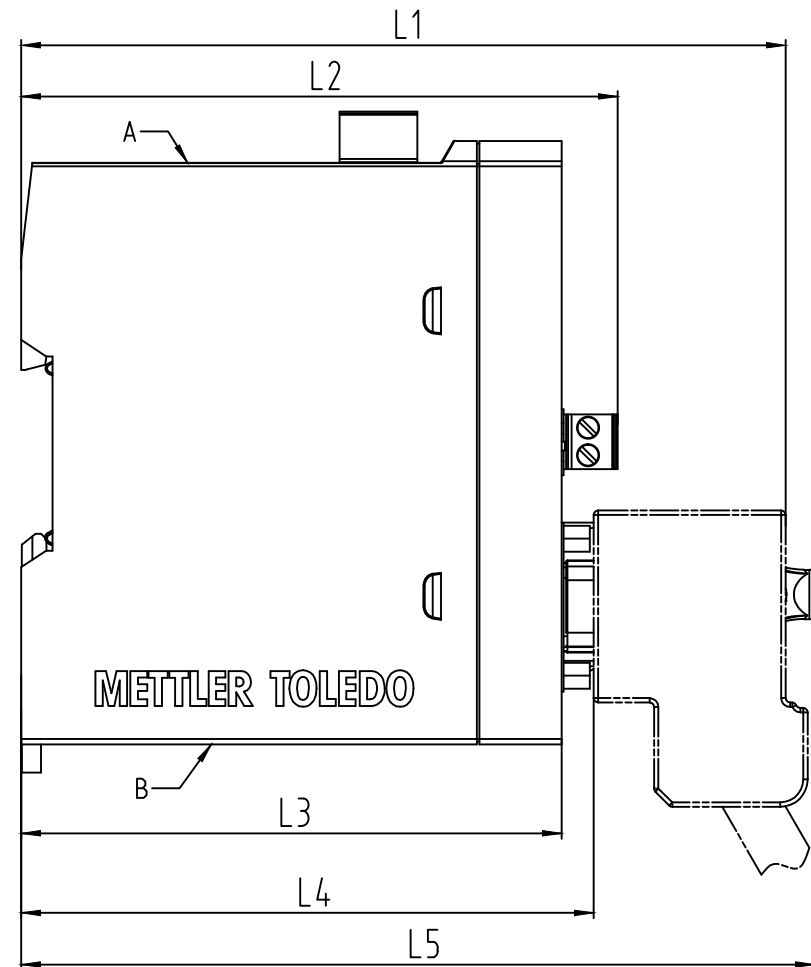
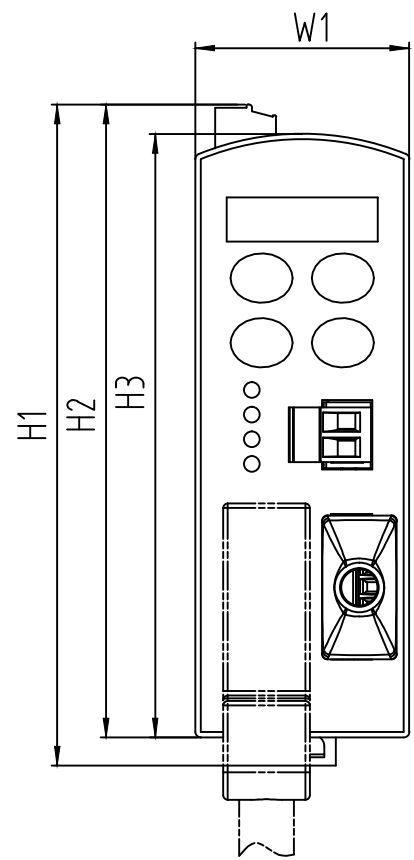


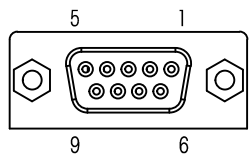
"A" and "B" surface shall be kept free for venting.



MARK	PROFIBUS	PROFINET / ETHERNET IP
L1	139.3	/
L2	108.7	108.7
L3	99	99
L4	104.3	/
L5	145	145
W	39	39
H1	120.4	120.4
H2	115.3	115.3
H3	110	110

PROFIBUS

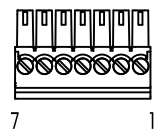
Pin	Signal
1	Not used
2	Not used
3	RxD/TxD+
4	RTS
5	GND bus
6	+5V bus
7	Not used
8	RxD/TxD-
9	Not used



NOTES:
USE MATING CONNECTORS AND CABLE RECOMMENDED FOR PROFIBUS CONNECTIONS. REFER TO PROFIBUS INTERNATIONAL DOCUMENTATION FOR OTHER CONSIDERATIONS.

Scale

Pin	Signal
1	-EXC
2	-SEN
3	-SIG
4	SHIELD
5	+SIG
6	+SEN
7	+EXC



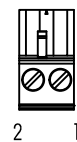
Wire Gage	AWG	mm ²
Max.	14	2.075
Min.	30	0.051

CABLE LENGTH: CONNECTOR TYPE: 3.5mm x 7 CABLE MUST BE SHIELDED

TSR (Ω)	AWG24 (m)	AWG20 (m)	AWG16 (m)
350	243	610	1219
87	60	182	304
43	30	91	152

Power

Pin	Signal
1	+DC
2	GND

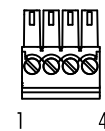


Wire Gage	AWG	mm ²
Max.	12	3.33
Min.	30	0.051

CONNECTOR TYPE: 5mm x 2

Service

Pin	Signal
1	TXD
2	RXD
3	GND
4	+5V

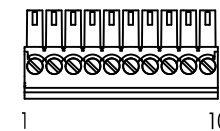


Wire Gage	AWG	mm ²
Max.	14	2.075
Min.	30	0.051

CONNECTOR TYPE: 3.5mm x 4 CABLE MUST BE SHIELDED CABLE LENGTH: 15m

Digital I/O

Pin	Signal
1	IN COM
2	IN1
3	IN2
4	IN3
5	OUT1
6	OUT2
7	OUT3
8	OUT4
9	OUT5
10	OUT COM



Wire Gage	AWG	mm ²
Max.	14	2.075
Min.	30	0.051

CONNECTOR TYPE: 3.5mm x 10 CABLE MUST BE SHIELDED

METTLER TOLEDO		MTCT CN-213022 ChangZhou	Drawn Li zhongke	20151108	Scale
Refer to protection notice ISO 16016 / Schutzvermerk ISO 16016 beachten			Change	-	Format DIN A3
Description 接线图 ACT350			Note	-	Replaces -
Wire Drawing ACT350			Drawing No	30076703	Revision A
Model:	Rel.Level:	Units: MM	Drawing:	Rel.Level:	Sheet: 1/1