

Boost Your Sales

With Your Own Promotional Labels



Modular design

Easily develop your hardware configurations without undermining your initial investment! Equipped with an independent conveyer, Etica P410S is positioned directly at the end of a group of automatic weigh-price labeling systems from Etica range that are already installed and is connected to them via a single USB cable.



Simple

Selecting a promotional label is easy thanks to a particularly simple and user-friendly interface. The integrated label editor allows you to create and edit your own labels in just a few clicks.



Flexible

Eliminate the disadvantages of having to use multiple rolls of pre-printed stickers. With the ability to print text, logos, and barcodes in high resolution, Etica P410S helps professionals to effectively communicate the price, promotions, the origin of the products, the sell-by date, and other information that is of interest to the consumer.



Efficient

Etica P410S does not need compressed air, labels are applied using a low pressure system which is adapted to the packaged product. The Etica P410S printer can be moved manually forward and backward to adapt the position of the promotional label to the size of the packaged product. A graduated scale simplifies the positioning of the printer.



Etica P410S

Don't waste time manually sticking different pre-printed stickers to trays! Etica P410S is a compact printer for printing and automatically applying personalized promotional labels. With a modular structure, the P410S printer automatically connects to any type of existing Etica weigh-price labeling system and can print and apply up to 40 additional stickers a minute.

Equipped with an array of particularly user-friendly tools, Etica P410S is the ideal tool to easily increase the turnover rate of packaged fresh products in your store and boost your profit.

Etica P410S

Automatic Weigh-Price Labeling

Application

Integrated editor for the creation and management of promotional labels
Manual or automatic selection of the promotional label
Library of personalized promotional labels
Speed of the conveyer is adjustable

Printing

Thermal direct
Support for Windows® fonts
Support for various fonts and character sets (Cyrillic, Arabic, Chinese, Greek, etc.)
Printing of multiple logos
Printing GS1 barcodes : Databar (RSS14), 128 (EAN128), EAN8, EAN13, UPC-A, UPC-E, ITF14, code 128, code 39, code 93, QRCode, PDF417, etc.
Text, logos, and barcodes can be rotated 360°
Text can be expanded horizontally or vertically
Support for oval and rectangular labels
Min. label size: 30 x 30 mm
Max. label size: 50 x 50 mm
Multi-directional printing
Maximum roll diameter: 220 mm
Mandrel diameter option: 38 mm

Interfaces

2 x USB: connection to the labeling range and connection to another P410 printer (chaining)

Remote maintenance

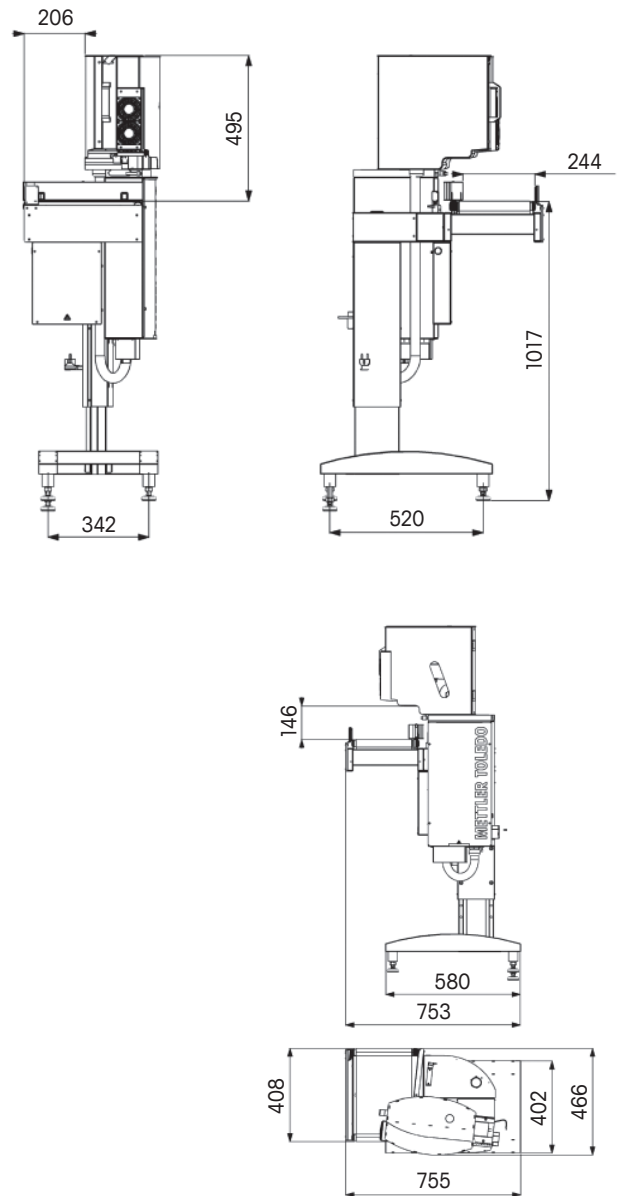
InTouchSM Remote Services
VNC (Virtual Network Computing)

Accessories

Gravity conveyers (5, 10, or 15 rolls)

Consumables department

consommablesretail@mt.com



METTLER TOLEDO European Prepack Engineering Center

3 rue des Vignes
78220 Viroflay, France
Phone +33 1 30 97 16 41

Subject to technical changes
© 09/2014 Mettler-Toledo AG
Printed in France 29230732
Global MarCom Switzerland

www.mt.com/retail

For more information