

Self-service with camera convenience

Assistance with article recognition



Quicker article selection

The UC-GTT-M SV with its Smart Vision article recognition detects the weighing sample automatically – quickly, precisely and accurately. This means optimum convenience and weighing without waiting times thanks to intelligent, fast article selection – genuinely saves time, especially with extensive assortments.



Sustainable technology

The intelligent Smart Vision light control ensures the best detection rates with minimal power consumption. During pauses in use, the light dims automatically. Power-saving components and a design without fans ensure a constantly efficient operation of the scale.



Enhanced shopping experience

The UC-GTT-M SV can be strategically integrated into your daily sales promotions when it's not in use for weighing. The splendid touchscreen display can be used as an effective self-service info terminal, displaying text, images or videos for original product presentations, recipe suggestions or special offers.



State-of-the-Art Design

Slim, elegant and perfectly formed, the UC-GTT-M SV self-service scale fits perfectly in a modern and contemporary shop design. The daily maintenance of the scale is made easy thanks to its durable and easily cleanable surfaces.



UC-GTT-M SV

High-end self-service scale with Smart Vision assistance

The self-service scale UC-GTT-M SV (Smart Vision) with camera-based assistance for article recognition ensures fast, error-free operating processes in your self-service fresh foods department. No more bothering with PLU numbers, no extended searching for the correct product key: Simply place the article on the weighing plate, and in the blink of the camera's eye Smart Vision recognizes the selected article with a high degree of accuracy or offers your customers an initial preselection of articles it may be. In this way the self-service scale UC-GTT-M SV with Smart Vision assistance brings every measure of convenience, innovation and positive shopping experience to your fresh foods department.

- **Article recognition per Smart Vision – self-service that is fast and safe**
- **Visual sales promotions at the point of sale – encourages impulse purchases**
- **Improving customer service – with recipe, nutrition and cooking tips**
- **Faster payment process – no more weighing at the register**

For the Most Stringent Demands

The UC Evo Max Line can be used for a wide variety of fresh food ranges and also supports CPU-intensive applications, such as multi-media sales promotions, at the point of sale. The UC Evo Max Line impresses with its exceptional network capability and capacity to support external applications.

Technical data UC-GTT-M SV

Touchscreen

- 12.1" (30.7 cm) touch-sensitive screen
- Touchscreen with LED backlight technology
- Adjustable tilt angle
- Screen resolution: 800 x 600 pixels

Printer options

- 2" (54 mm) label printer
- 2" (54 mm) combined ticket and label printer; optional
- 2" (54 mm) linerless printer, optional
- Printing speed: up to 125 millimeters/second
- Print resolution: 8 dots/millimeter (200 dpi)
- Logos printed on ticket or label
- Printing of upper and lower case characters
- Choice of 101 print fonts
- Freely definable labels

Data storage

- 250 GB hard drive
- 8 GB SSD (optional)
- 2 GB RAM
- 4 GB RAM (optional)

Interfaces and Protocols

- TCP/IP Ethernet interface (10/100)
- 1 x RS232 serial interface
- 1 x RJ11 interface for controlling the cash register drawer
- 2 x USB 2.0 ports
- Integrated wireless solution for wireless data transmission according to IEEE 802.11b/g/n standard (optional)

Further information

For additional details about the features of the UC3 software for METTLER TOLEDO PC-based scales, as well as the optional METTLER TOLEDO applications, please refer to the relevant application sheets.

Remote Maintenance and Data Communication

- FTP (File Transfer Protocol)
- VNC (Virtual Network Computing)

Operating system

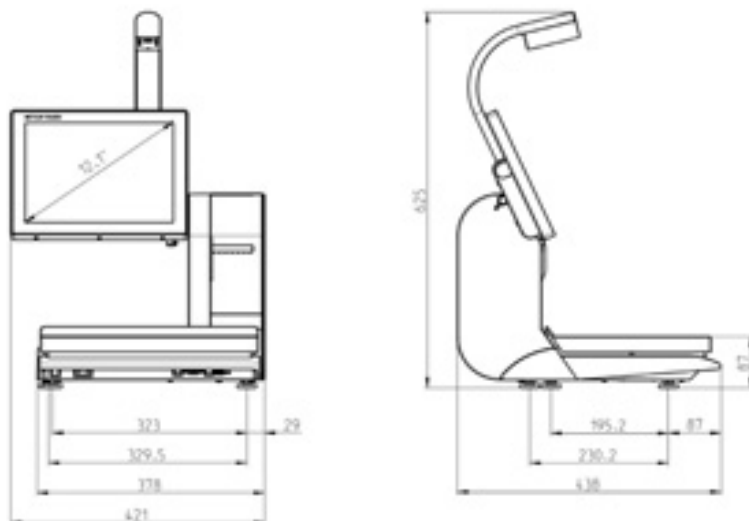
- Windows Embedded Standard 7
- Linux (optional)

Housing Colors

- Silver

Weighing range	6 kg	15 kg	3 kg/6 kg	6 kg/15 kg	12 kg	30 kg
Graduation	2 g	5 g	1 g/2 g	2 g/5 g	2 g	5 g
Minimum capacity*	40 g	100 g	20 g	40 g	40 g	100 g

* EC: Printout under minimum capacity possible, but not with price marking.
Tare adjustment across the entire weighing range, automatic zeroing.



ISO 9001 quality management certification
ISO 14001 environmental management certification
Internet: <http://www.mt.com>
Worldwide service

Subject to technical changes.
© 02/2013 Mettler-Toledo AG
Printed in Germany 22023914
Global MarCom Switzerland

www.mt.com/retail

Further information

