

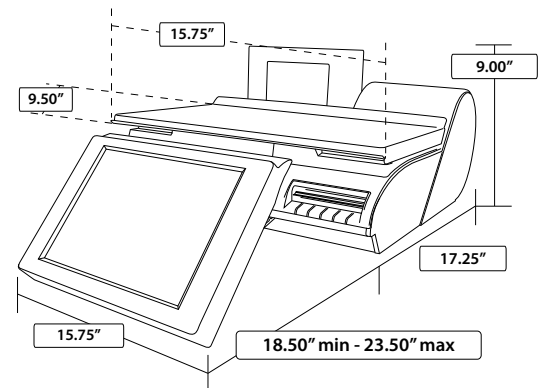
## Impact M Specifications

Specifications for Impact M model scale -

Description	Specifications
Weight of Unit	31.0 lb (14.0 kg)
Shipping Weight	39.5 lb (17.5 kg)
Base Construction	Cast metal upper shell with sheet metal bottom
Operator Display and Keyboard	10.4" color VGA, 4 wire resistive Touchscreen
Customer Display	Monochrome 320 x 240 LCD
Printer	3" (72 mm paper, 80mm path), up to 5"/sec, thermal - 6" roll capacity
Power	100-240 VAC, 50/60 Hz, 1.1A
Operating Temperature	0° C to 40° C, humidity 5% to 95% non condensing
Storage Temperature	-20° C to 70° C with humidity from 5% to 95% non condensing
Network Interface	Ethernet 802.3 10/100mB RF optional 802.11B/G
Database Operation	Standalone or Client modes to STEM/REM
Processor	XSCALE
Memory	Minimum 64 Megabyte SDRAM
Mass Storage	Minimum 512 MB Compact Flash
USB ports	For mouse, keyboard, USB flash drive, etc.



**IMPACT M**



**METTLER TOLEDO**