

# Perfect Operation

## Self-service with Touchscreen Convenience



### Ergonomic operation

Fast. Interactive. Very easy to use. The touchscreen menu navigation on the UC-GTT-S offers your customers the ultimate in ergonomics and convenience when selecting articles. This secures fast and error-free self-service weighing – without long waiting lines for your customers, even at peak times.



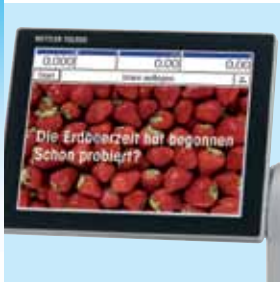
### Perfect legibility

More contrast, more brightness, more vividness - with lower power consumption: the UC-GTT-S impresses with the latest backlit LED technology that offers excellent legibility and high energy efficiency – consistently supported by easily configurable energy saving modes for real-life situations.



### Contemporary design

Slimline, elegant – the perfect form. The shape and functionality of the UC-GTT-S self-service scale fit in perfectly with modern store design. Daily cleaning and care of the scale is made easy thanks to its heavy-duty and easily cleanable surfaces.



### Digital advertising space

Strengthening brands and stimulating customer loyalty: discover the many options of the touchscreen on the UC-GTT-S as an attention-grabbing digital advertising space. Take the opportunity to display your company logo and brand messages when the scale is not being used for weighing.



### UC-GTT-S

PC scale with touchscreen operation for self-service areas

Whether in the fruit and veg section of a supermarket or the organic grocery store around the corner: the UC-GTT-S self-service scale is the ideal choice for retail chains and specialist stores wishing to offer customers all the advantages of touchscreen convenience for self-service weighing.

Simple and modern – the UC-GTT-S stands for fast and convenient self-service weighing with a contemporary touch. The clever alternative to weighing at the cash register that frees up your staff to perform other duties and prevents unnecessary waiting times and delays in the critical cash register zone.

- **Easy operation – high degree of customer acceptance**
- **Brilliant backlit LED technology – for the best legibility and greater energy efficiency**
- **Contemporary design – functionally well thought-out and easy to clean**
- **Faster payment for customers – no waiting times due to weighing at the cash register**

### Entry into the touchscreen class

The UC Evo Star Line is the range of scales for entry into the performance class of METTLER TOLEDO PC scales with touchscreen operation. PC scales in the UC Evo Star Line combine touchscreen convenience with fast weighing and operation – the perfect choice for specialist stores and small retailers.

### Technical data

#### UC-GTT-S

##### Touchscreen

Touch-sensitive 12.1-inch (30.7 cm) screen

- Touchscreen with backlit LED technology
- Adjustable angle
- Screen resolution: 800 x 600 pixels
- 32-bit color depth

##### Printer options

2-inch label printer

2-inch double printer (tickets and labels); optional

2-inch linerless printer; optional

Printing speed: up to 1/2-inch per second

Print resolution: 200 dpi

Logo printing on ticket or label

Upper and lower case printing

101 fonts available for selection

Freely definable labels

##### Data storage

4 GB Compact Flash

256 MB RAM, optional 512 MB

##### Interfaces and protocols

TCP/IP Ethernet interface (10/100)

1 x RS232 serial interface

1 x RJ11 interface for controlling the cash register drawer

2 x USB 2.0 ports

##### Further information

Please refer to the respective application sheets for further details on the performance and features of the UC3 software for METTLER TOLEDO PC scales and the optional METTLER TOLEDO applications.

##### Remote maintenance and data communication

InTouch<sup>SM</sup> Remote Services

FTP (File Transfer Protocol)

VNC (Virtual Network Computing)

##### Operating system

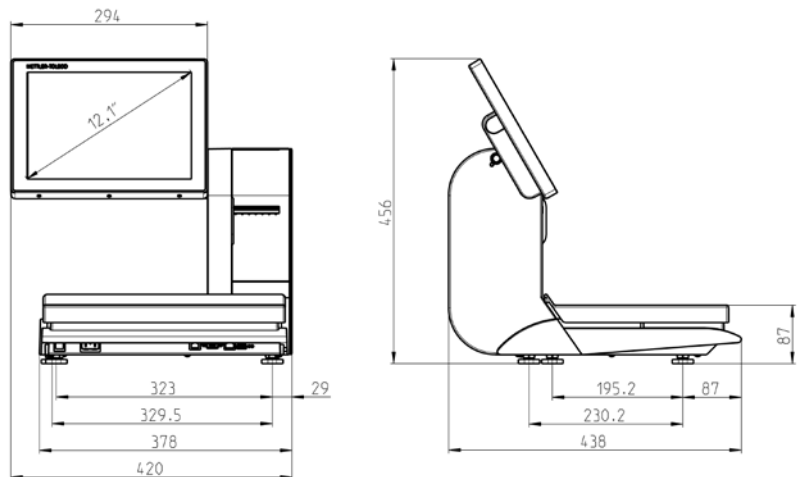
POSReady

##### Housing colors

Silver

Weighing range	6 kg	15 kg	3 kg/6 kg	6 kg/15 kg	12 kg	30 kg
Graduation	2 g	5 g	1 g/2 g	2 g/5 g	2 g	5 g
Minimum capacity*	40 g	100 g	20 g	40 g	40 g	100 g

\* EG: printout at minimum capacity possible, although not with price marking.  
Tare adjustment across the entire weighing range, automatic zeroing



ISO 9001 quality management certification  
 ISO 14001 environmental management certification  
 Internet: <http://www.mt.com>  
 Worldwide service

Subject to technical changes.  
 © 05/2011 Mettler-Toledo AG  
 Printed in Germany 22022172  
 Global MarCom Switzerland

[www.mt.com/retail](http://www.mt.com/retail)

For more information

